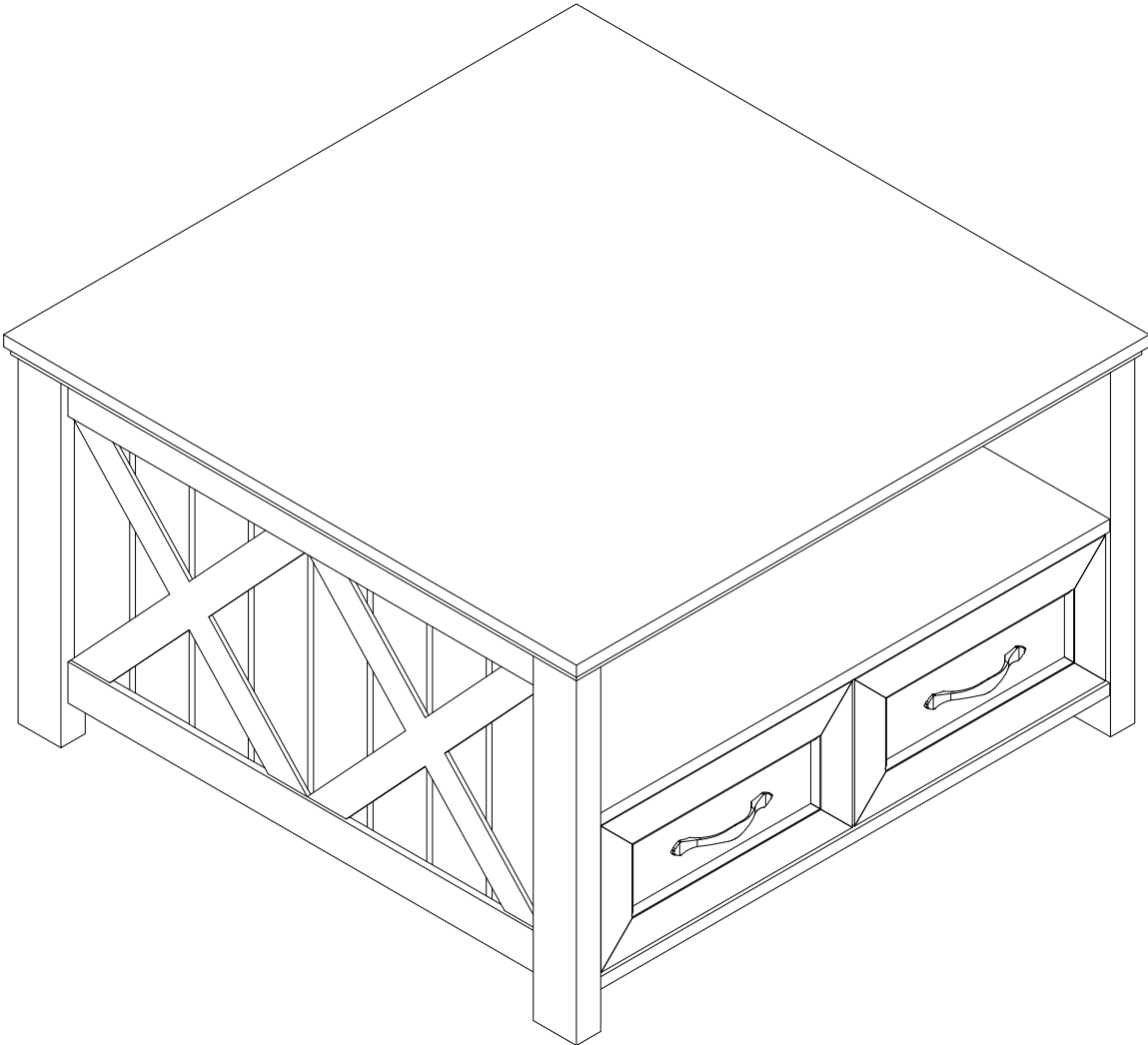
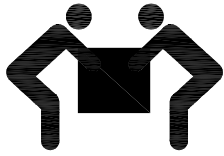


# INSTRUCTION MANUAL

---



**32" Tea Table**



### **WARNING**

Some steps are more easily handled with two adults.



### **CAUTION**

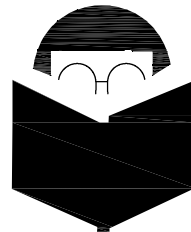
Before assembly and/or installation, carefully unwrap all parts  
Locate and set aside the hardware kit before discarding packaging.  
Use care when assembling your new product. Take your time and follow assembly instructions closely.



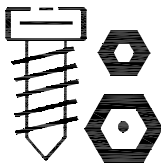
If you have any questions below, please feel free to contact us. We will respond within 24 hours.



**ANY DAMAGE**



**READ INSTRUCTIONS  
CAREFULLY**



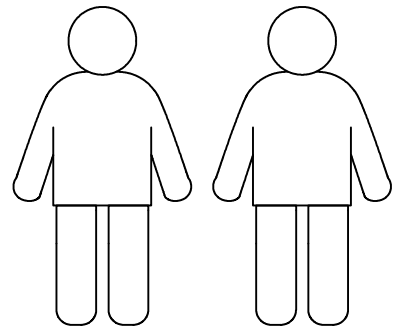
**MISS SOME PARTS**



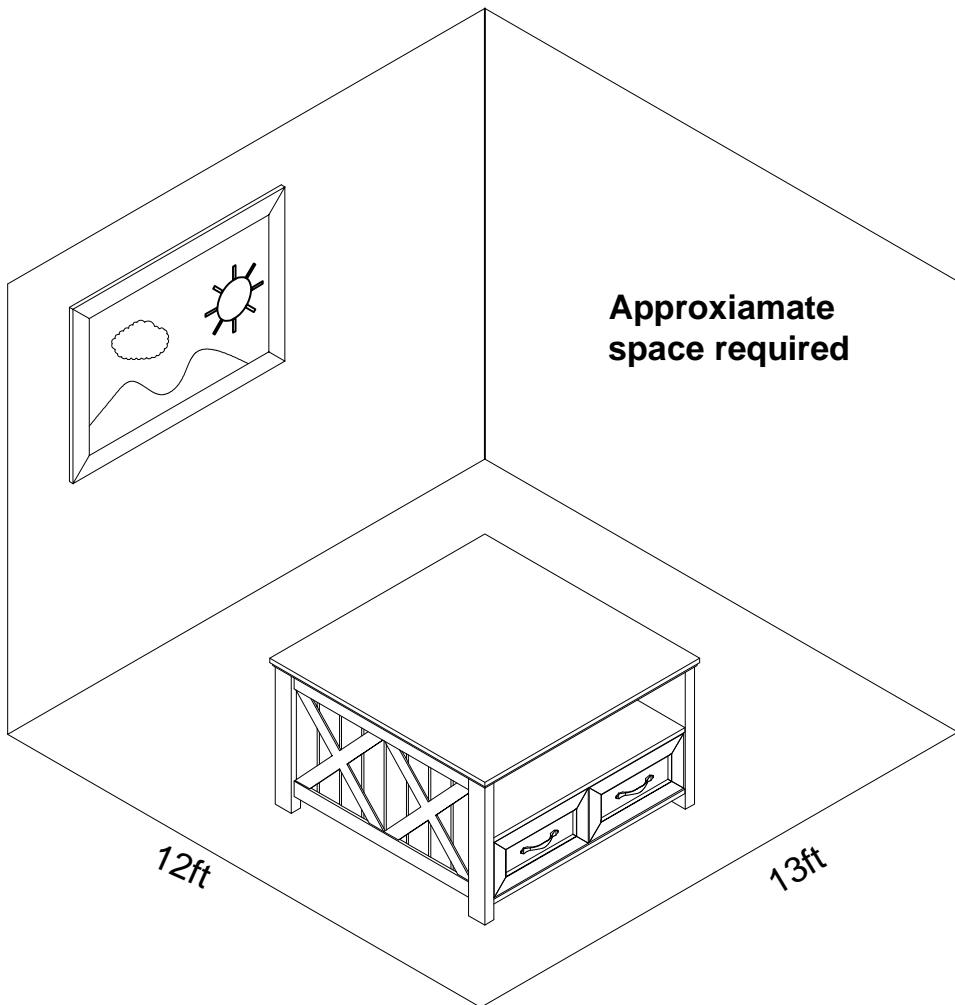
**OTHER QUESTIONS**

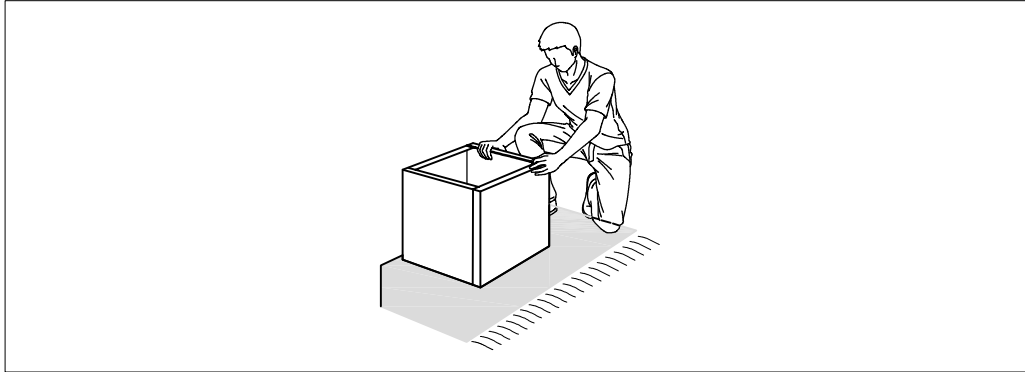


**30 min**

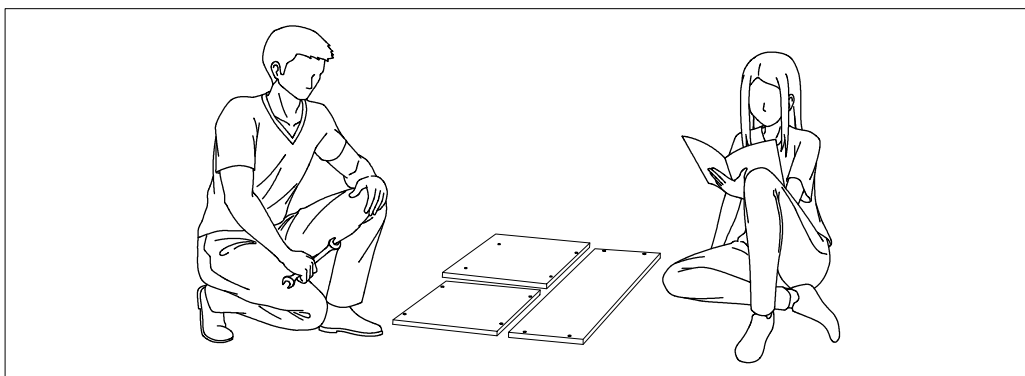


**Two People Required**





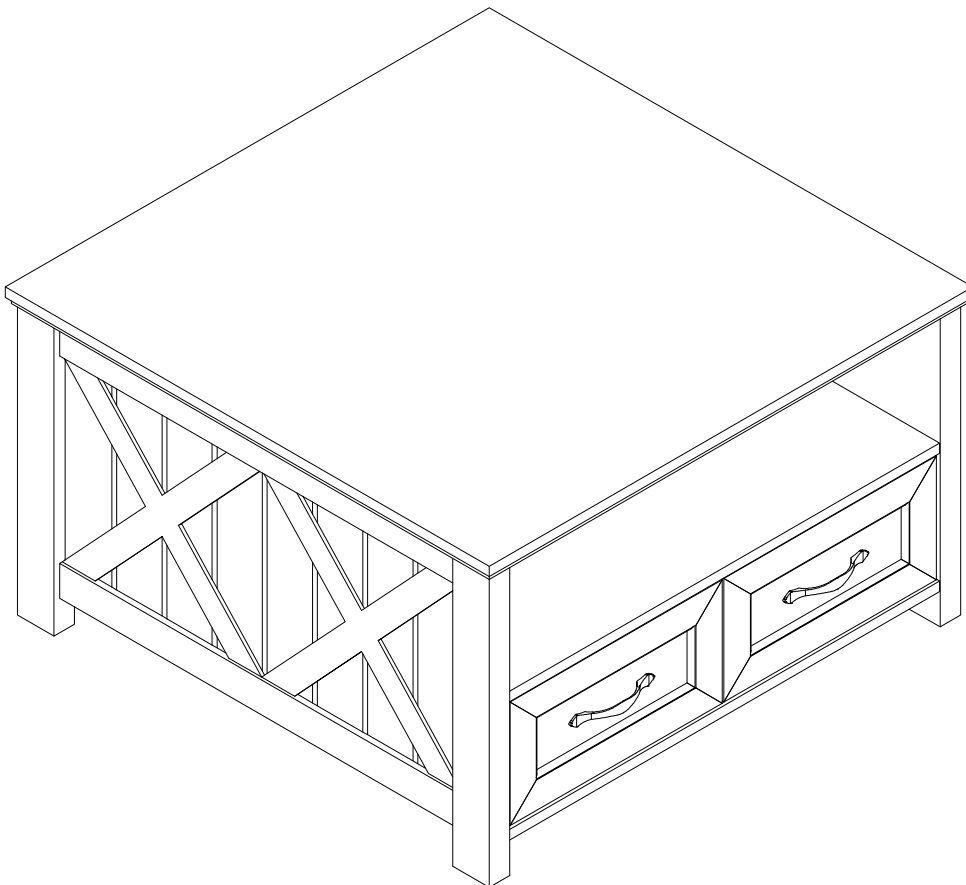
Assembly the furniture on empty carton, carpet, or rug to prevent scratches or damage.



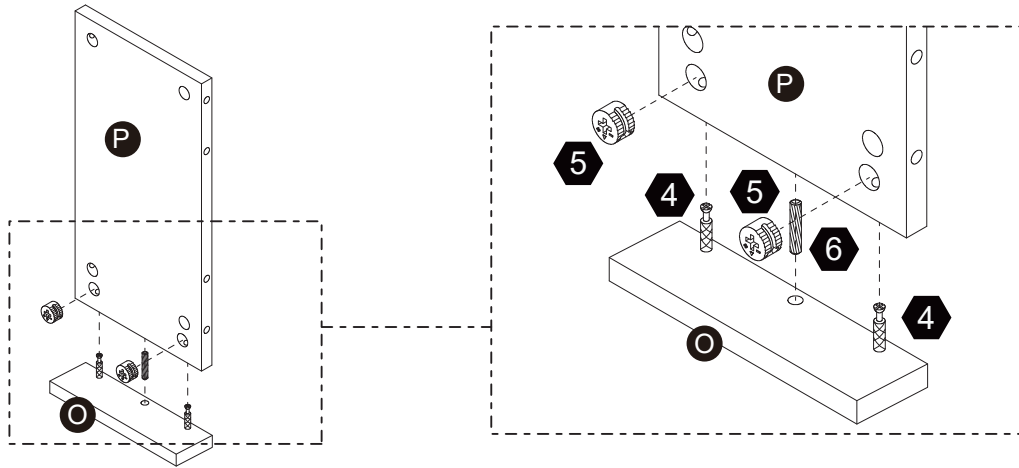
This furniture requires 2 people to assembly.  
Make sure no parts are missing or damaged before assembly

## GENERAL INFORMATION, TIPS AND TRICKS

1. Please read the Assembly instructions prior to assembling this product.
2. Remove all hardware from the box and sort by size.
3. Check to see that all hardware and parts are present BEFORE assembling.
4. Ask a friend to assist you with the assembly of this furniture.
5. To avoid damage, assemble the product on a sturdy, level and protective surface.
6. Please wait until all steps are completed before fully tightening bolts.
7. Make sure all screws and bolts are tightly fastened before the unit is used.

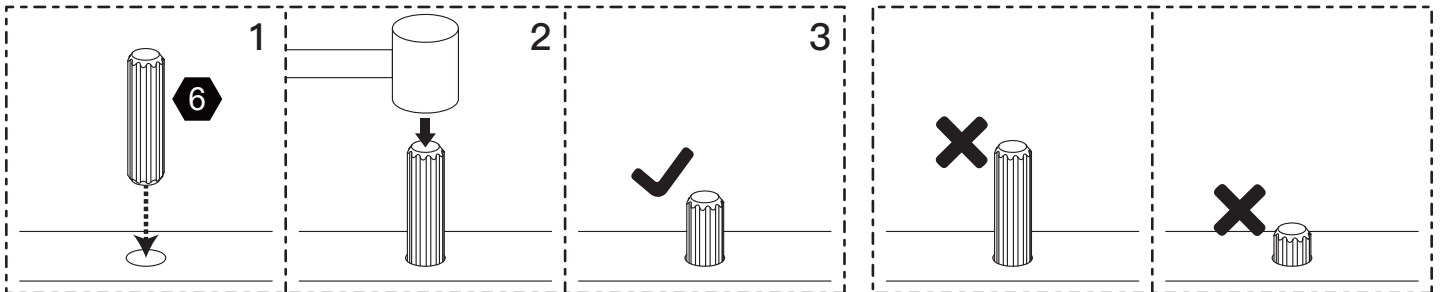


## How the Assembly System Works



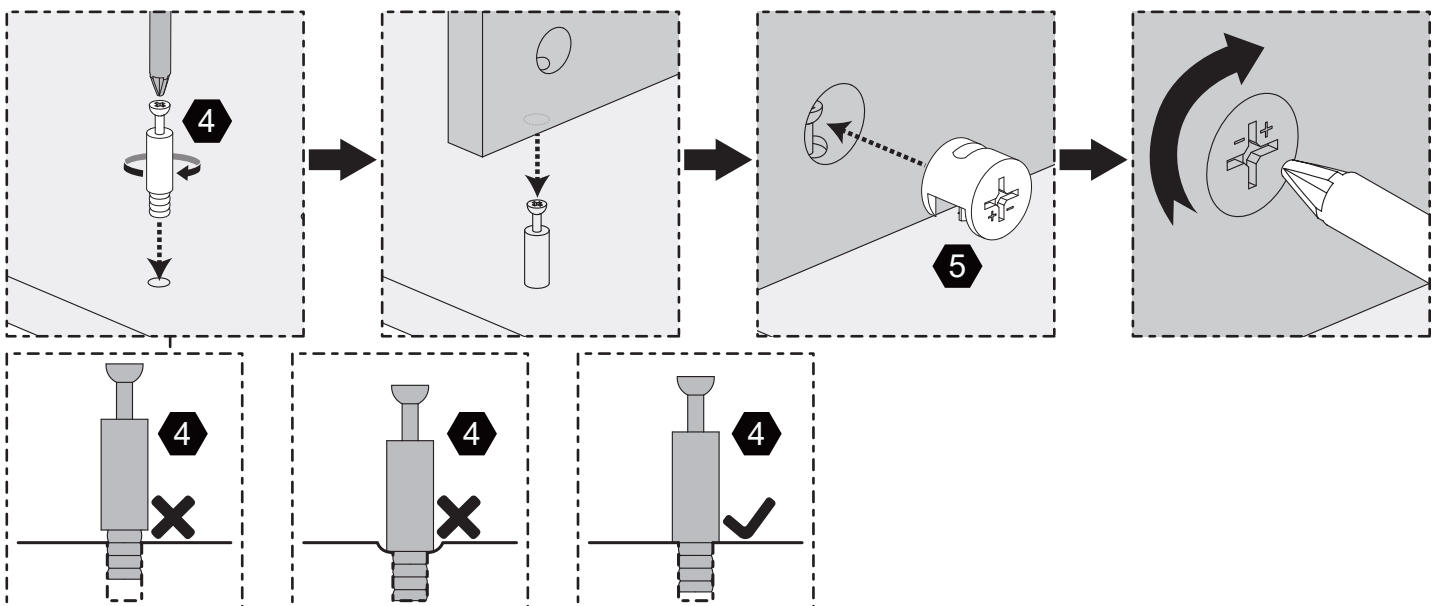
## How to Install Wood Dowel

Insert the wood dowel [6] at least half-way. IF NECESSARY, lightly tap the wood dowel with a self-supplied rubber mallet.



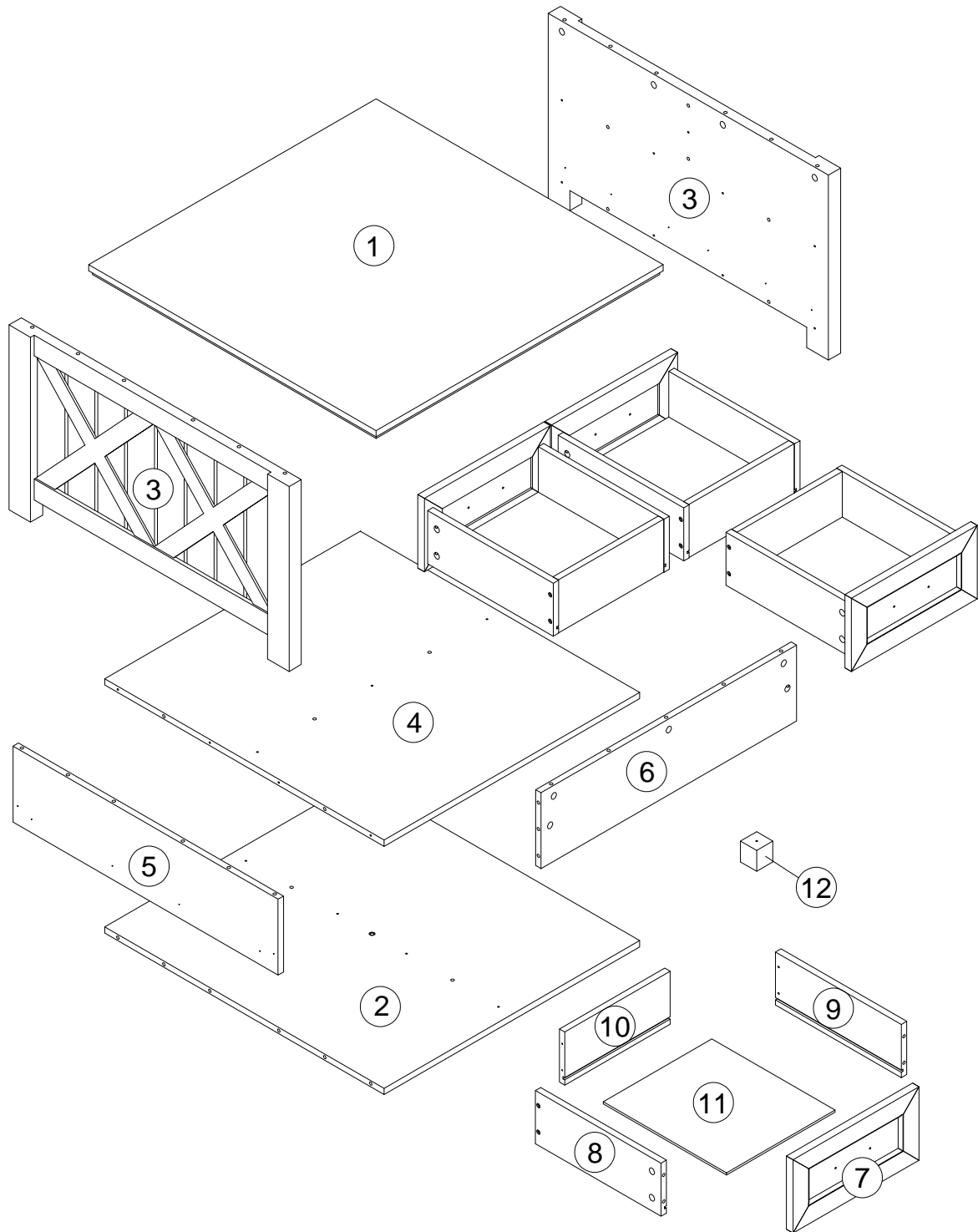
## Cam Lock System Operation

1. Screw the cam bolt [4] into the threaded insert on the panel.
2. Connect both panels together making sure cam bolt [4] goes into the pre-drilled large hole on the end of panel for cam lock [5].
3. Insert the cam lock [5] into the pre-drilled large hole on the panel. Make sure the cross slot of cam lock [5] faces out.
3. Rotate the cam lock [5] clockwise to lock the cam bolt [4] in place.



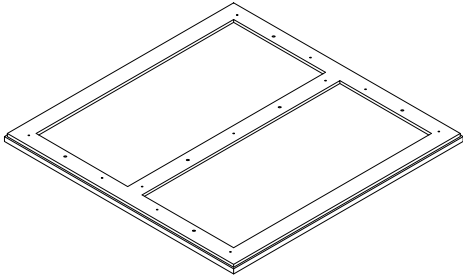
You are now ready to assemble the Fireplace TV Stand.

# Exploded Drawing



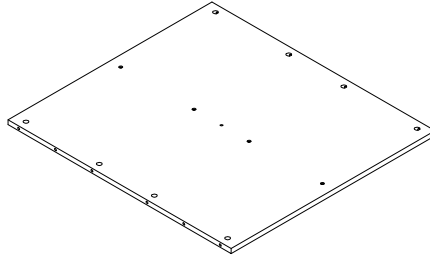
# Contents

1



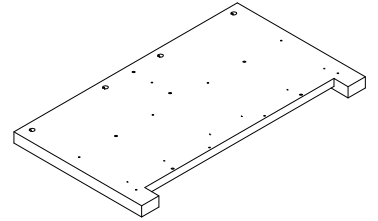
1 pc

2



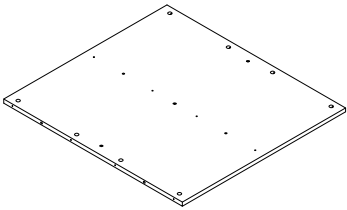
1 pc

3



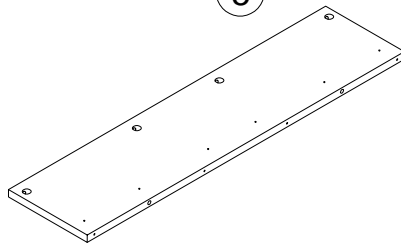
2 pcs

4



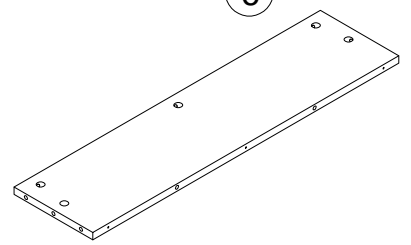
1 pc

5



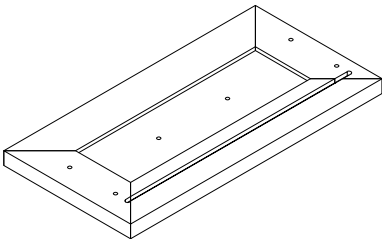
1 pc

6



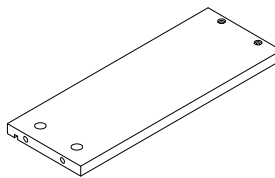
1 pc

7



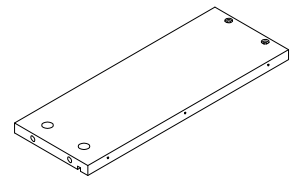
4 pcs

8



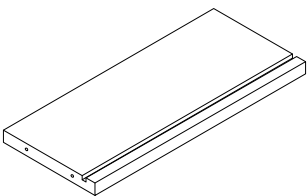
4 pcs

9



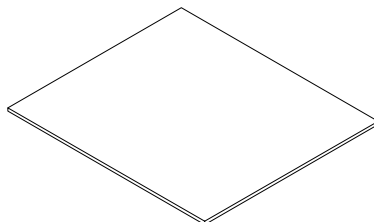
4 pcs

10



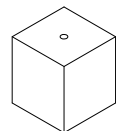
4 pcs

11



4 pcs

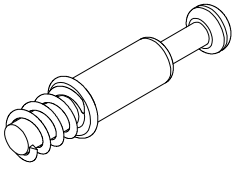
12



1 pc

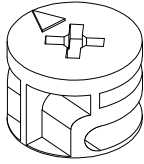
# Contents

A



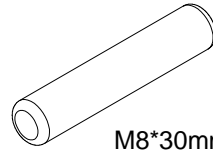
49 pcs

B



49 pcs

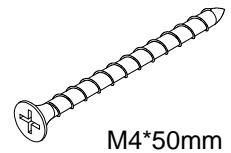
C



M8\*30mm

24 pcs

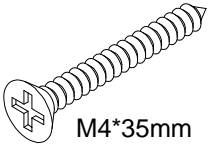
D



M4\*50mm

7 pcs

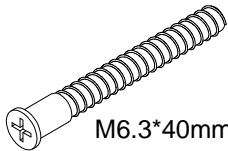
E



M4\*35mm

16 pcs

F



M6.3\*40mm

1 pc

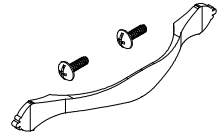
G



M3\*12mm

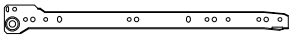
48 pcs

H



4 pcs

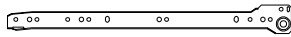
CL



L 350mm

4 pcs

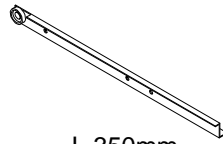
CR



L 350mm

4 pcs

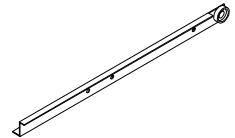
DL



L 350mm

4 pcs

DR

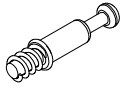


L 350mm

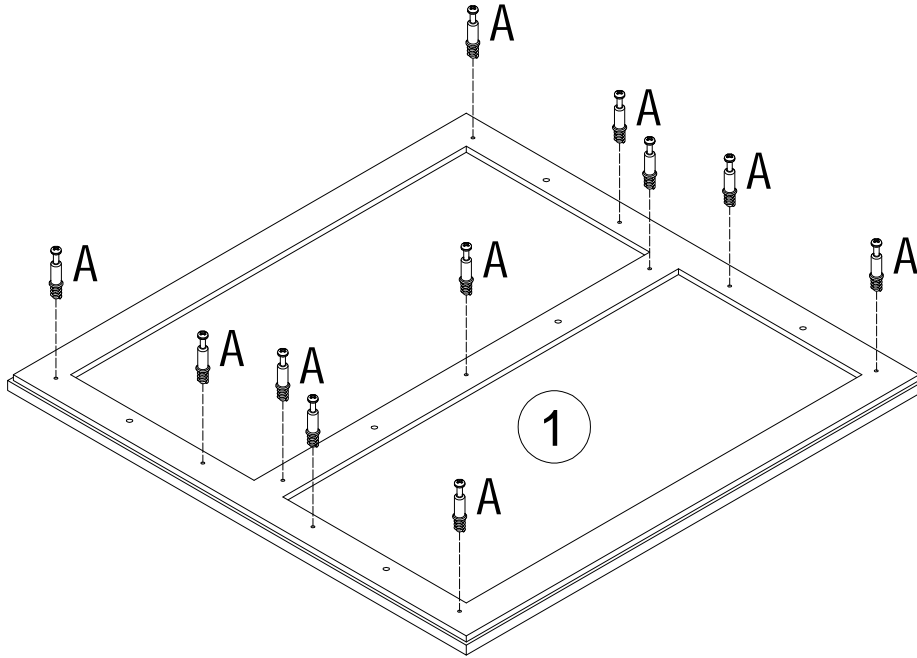
4 pcs

# Step 1

A

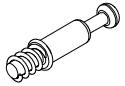


11pcs

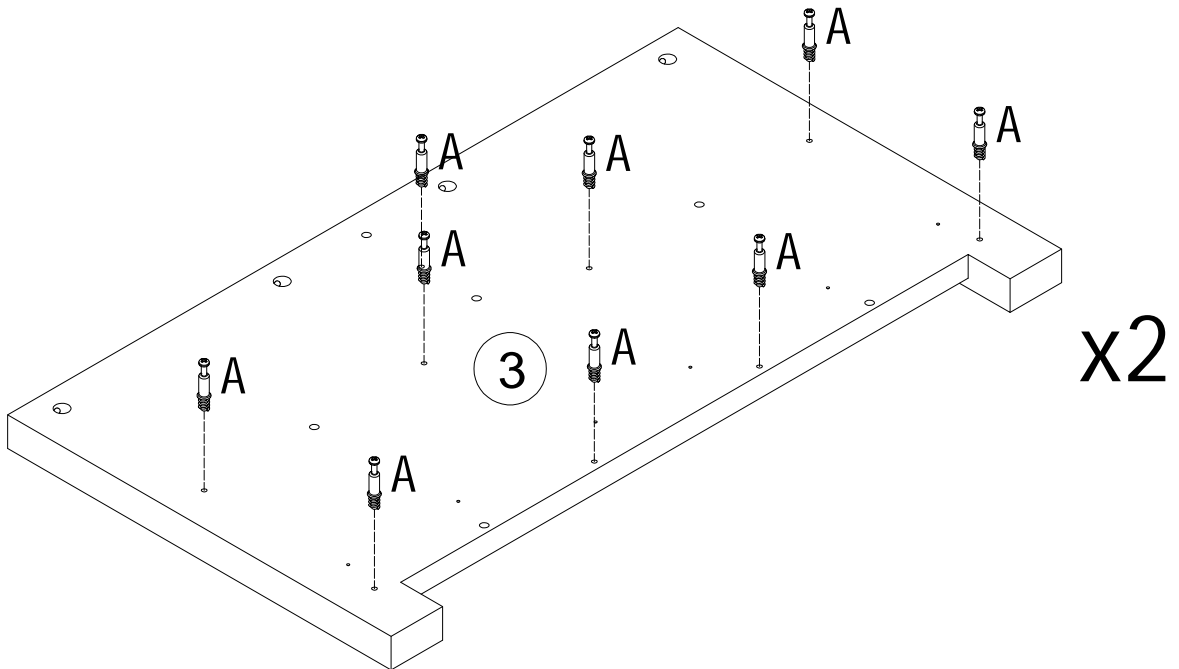


# Step 2

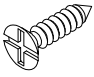
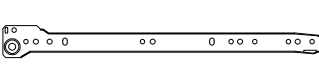
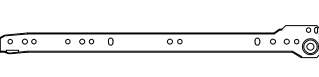
A

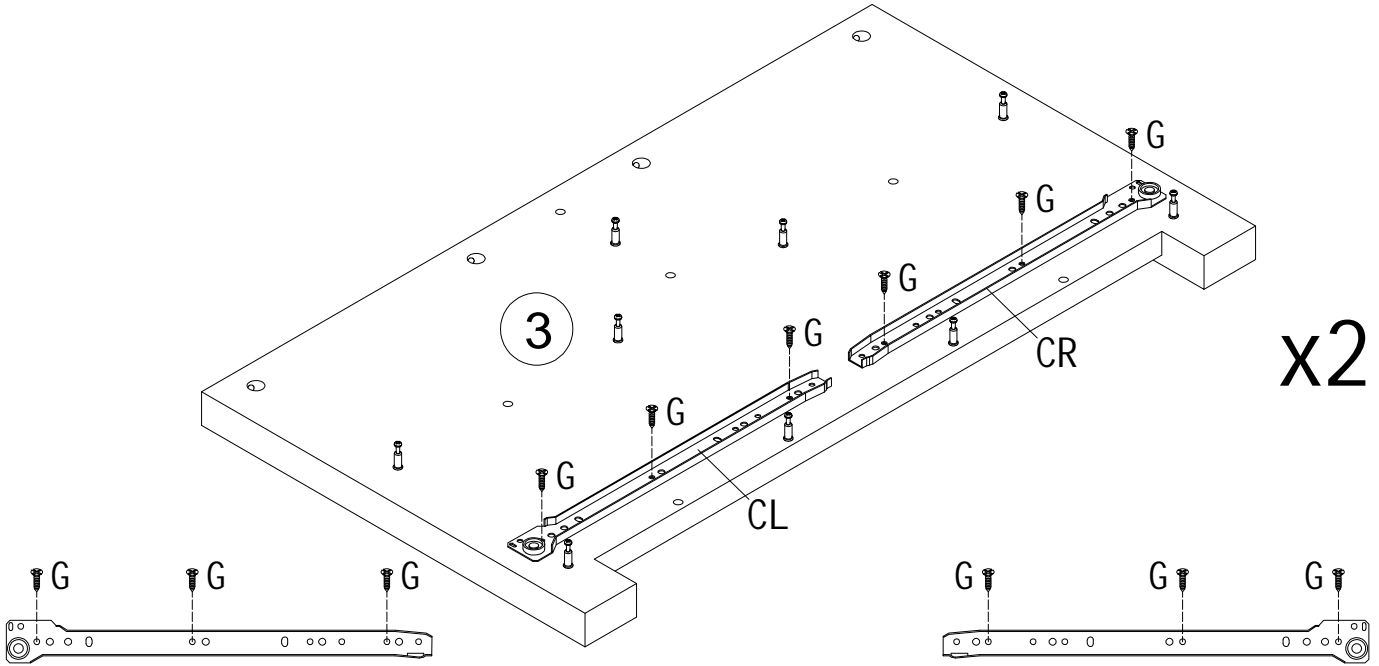


18pcs

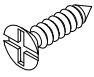
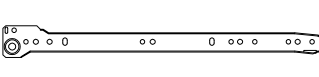



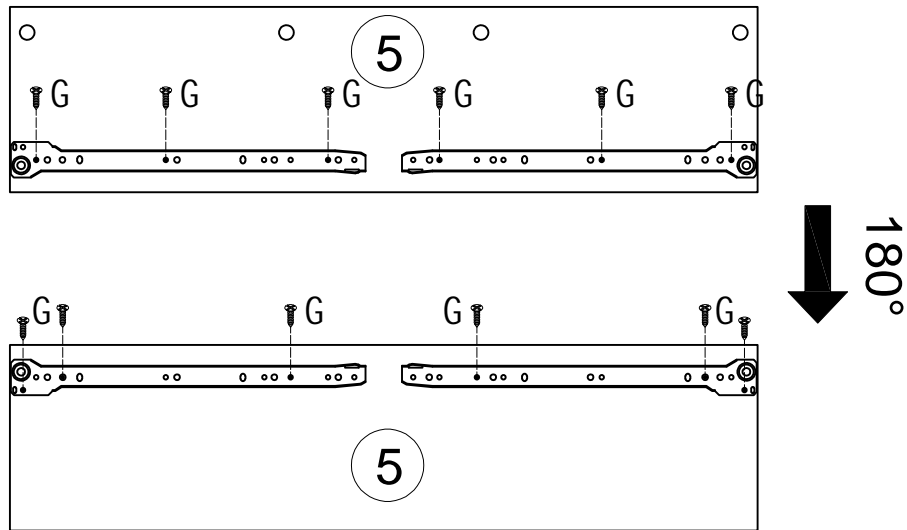
### Step 3

G  12pcs CL  2pcs CR  2pcs



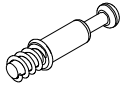
### Step 4

G  12pcs CL  2pcs CR  2pcs

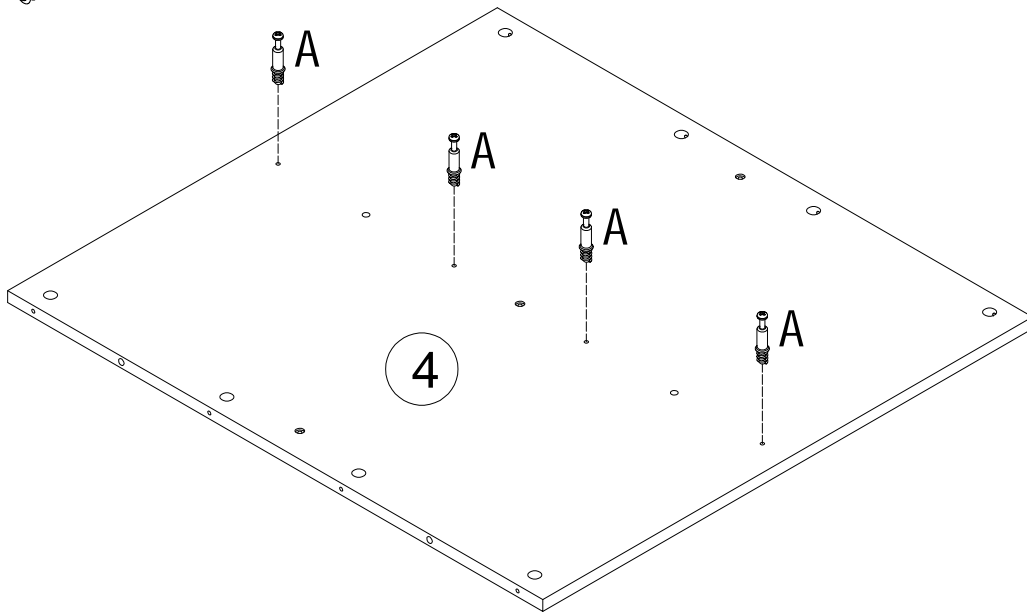


## Step 5

A



4pcs

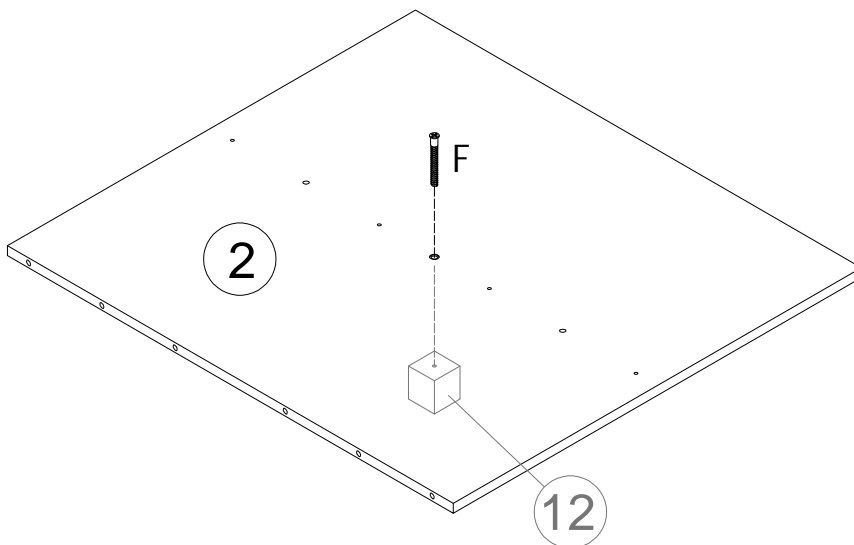


## Step 6

G



1pc



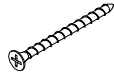
## Step 7

C

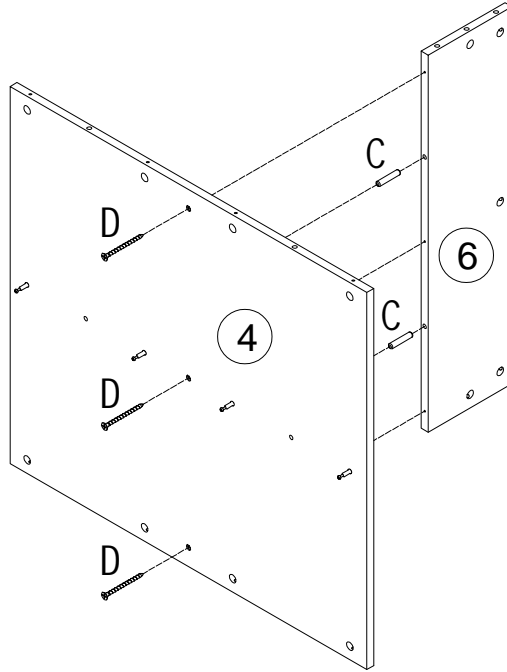


2pcs

D



3pcs



## Step 8

B

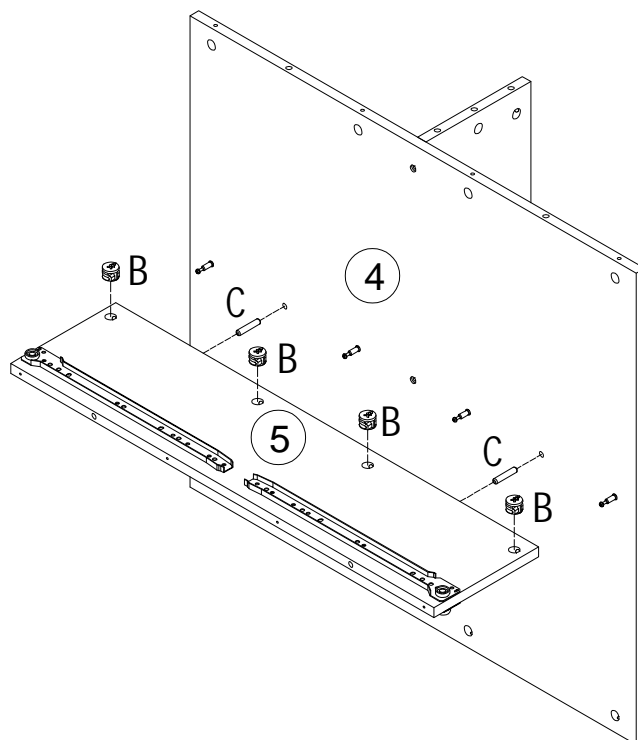


2pcs

C



2pcs



## Step 9

C

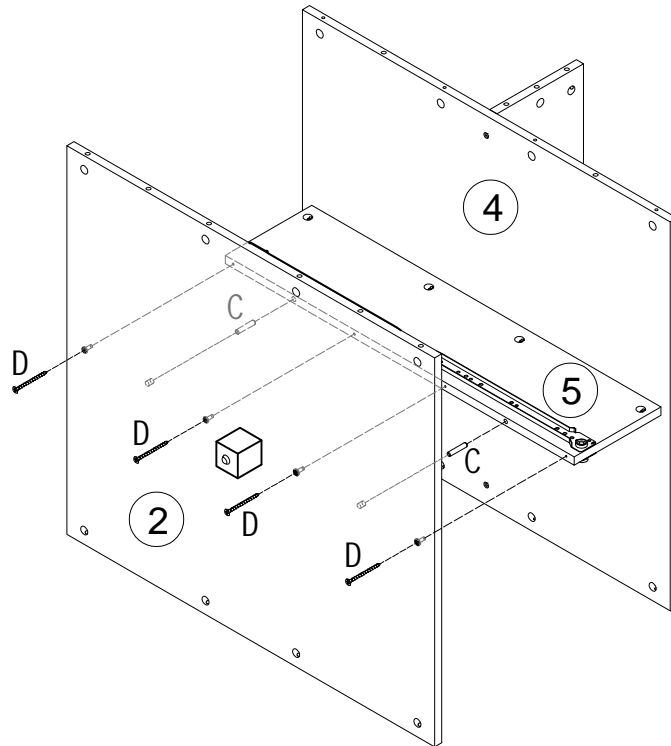


2pcs

D



4pcs



## Step 10

B

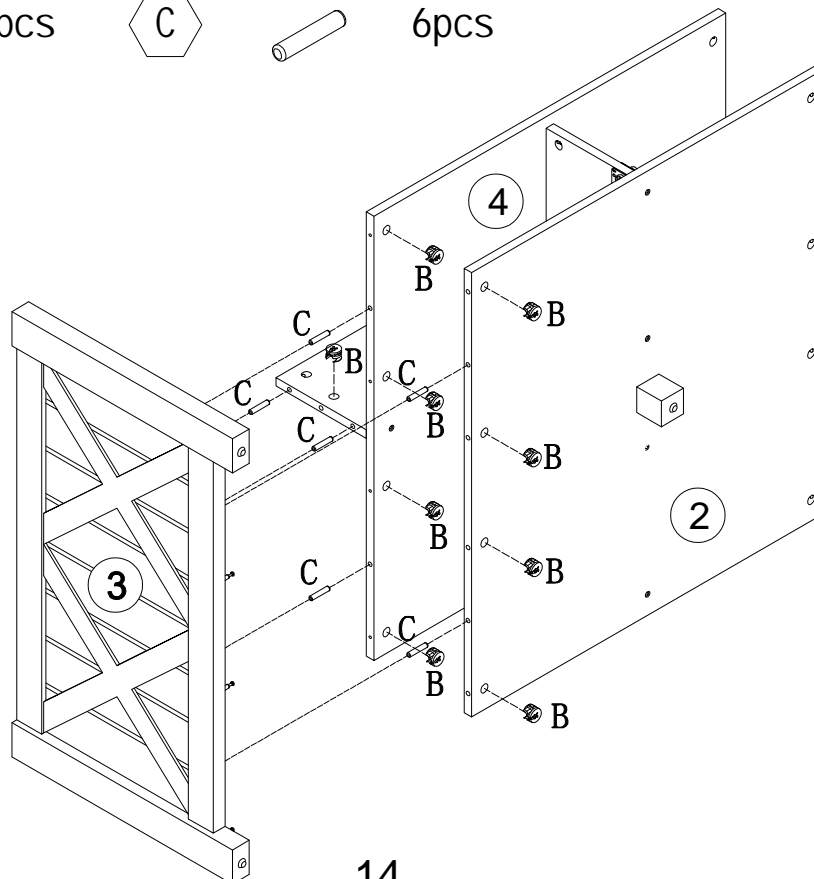


9pcs




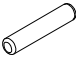
C

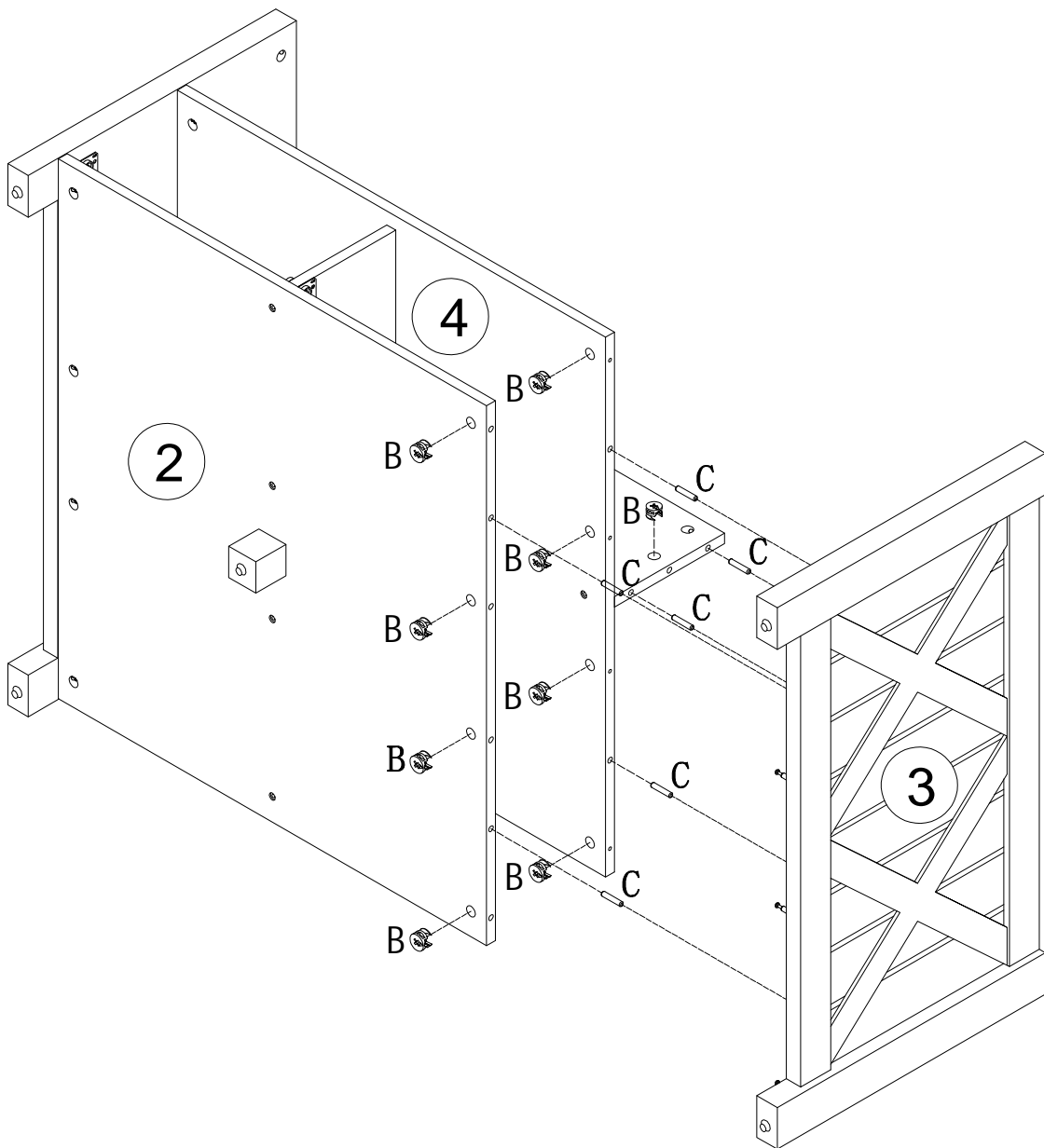


6pcs



# Step 11

-   9pcs
-   6pcs



# Step 12

B

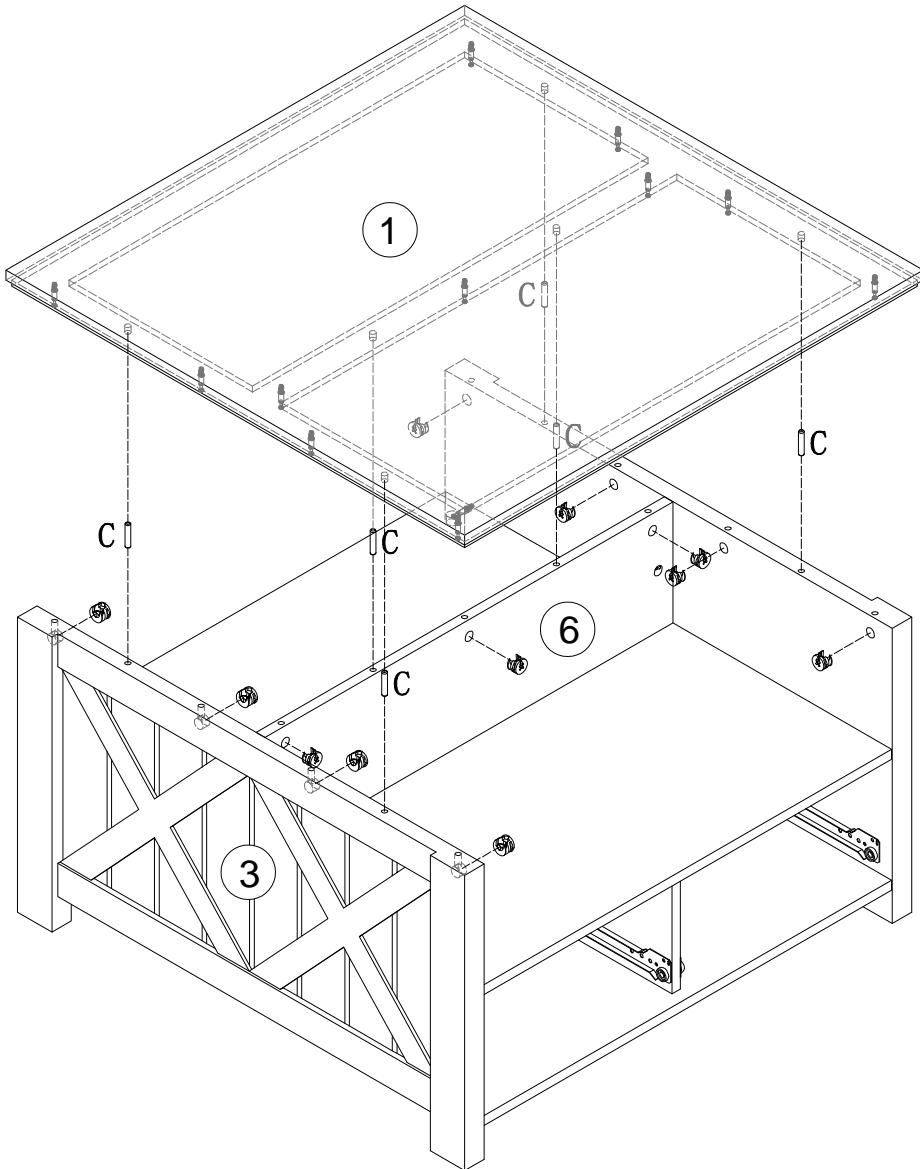


11pcs

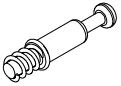
C




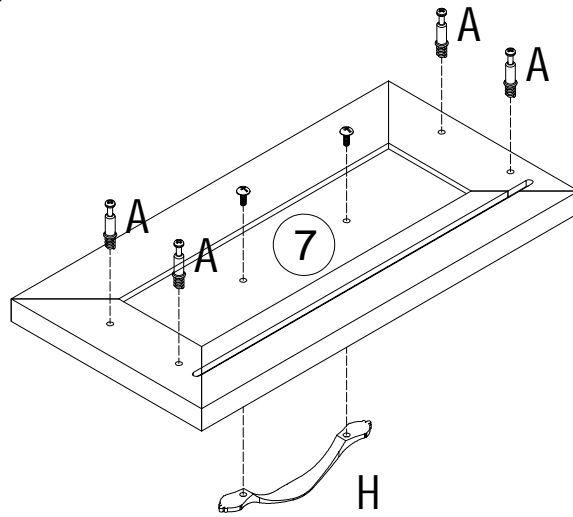
6pcs



## Step 13

A  16pcs

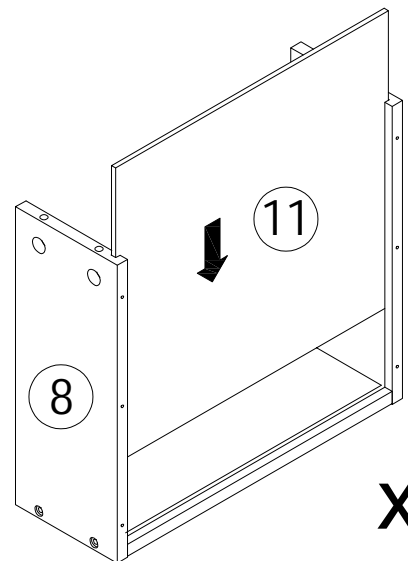
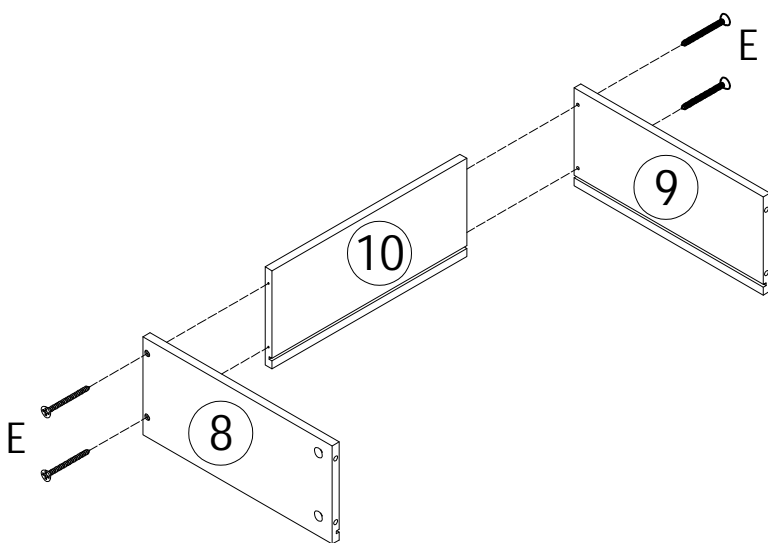
H  4pcs



x4

## Step 14

E  16pcs



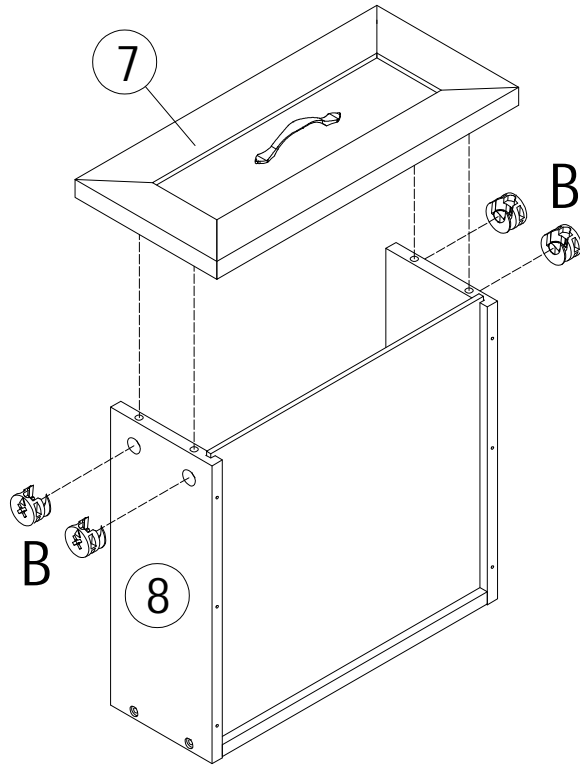
x4

# Step 15

B



16pcs



x4

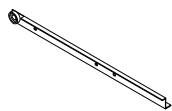
# Step 16

G



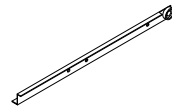
24pcs

DL

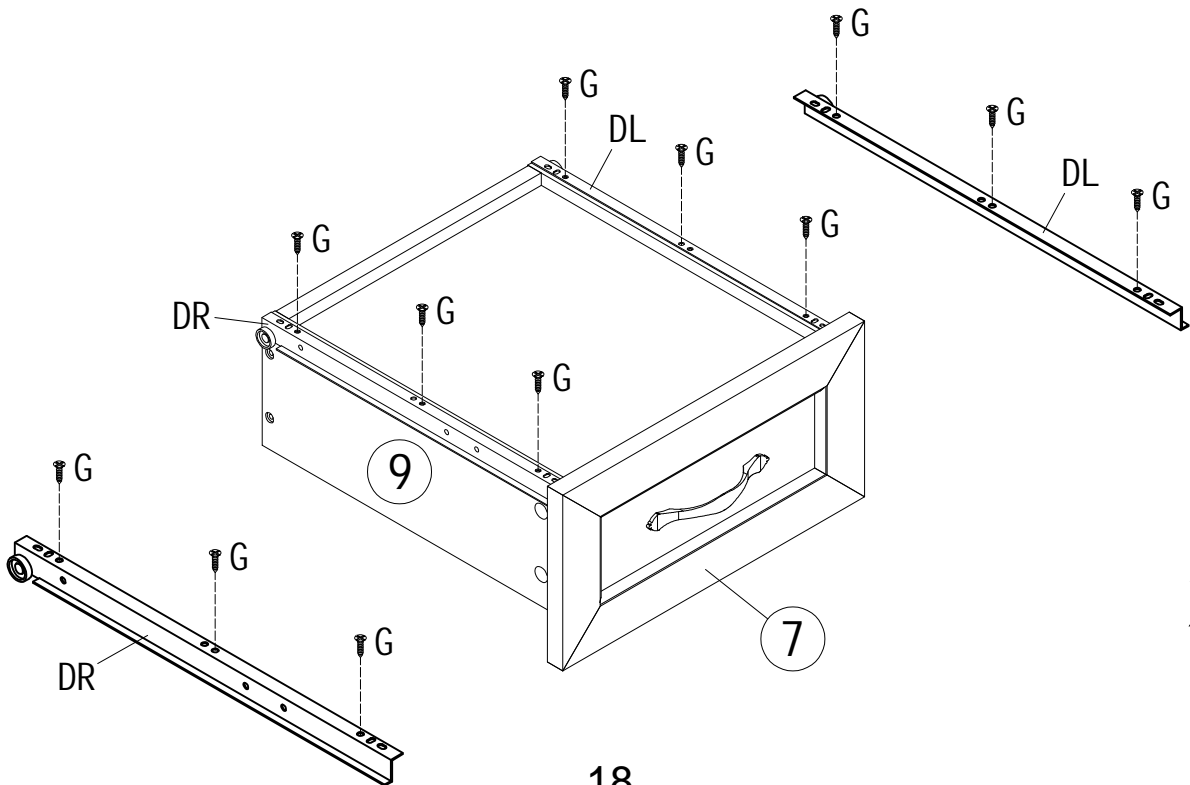


4pcs

DR



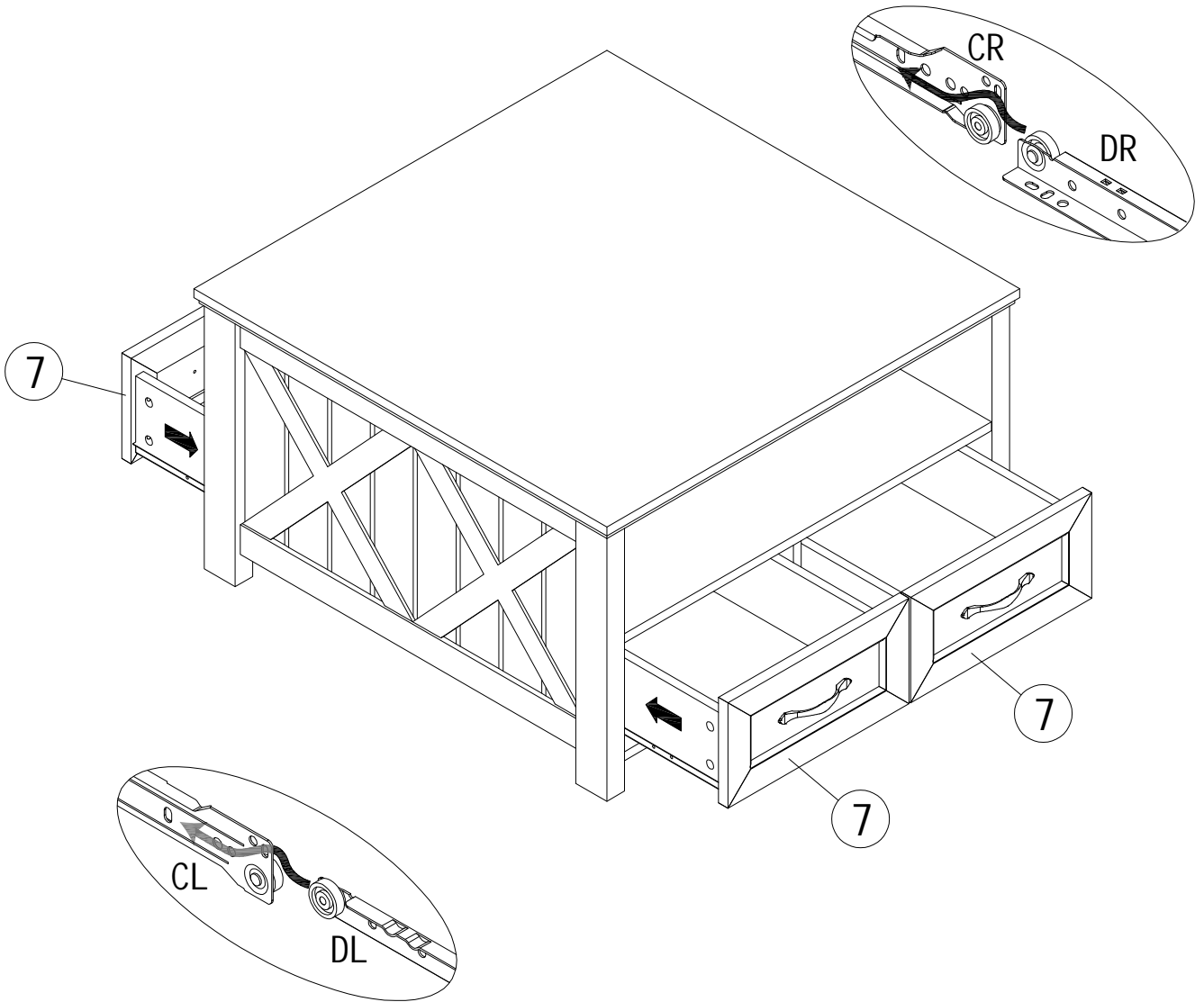
4pcs



x4

18

# Step 15



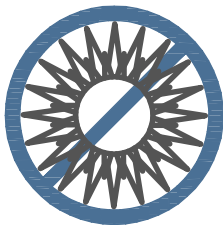
# MAINTENANCE TIPS



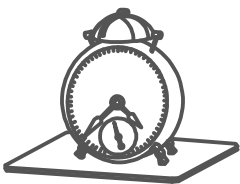
Never let liquids or damp cloths sit on this furniture.



Never use chemical cleaning products, They can damage the finish.  
For cleaning, use only a slightly damp cloth and wipe dry.



To avoid dulling of the finish, do not place furniture in direct sunlight.



Do not put plastic or rubber rings under appliances.  
Use cloth or felt protectors.



To clean, use a soft or slightly damp cloth, then wipe with a clean, dry cloth.

## CARE AND MAINTENANCE

### Medium-Density Fiberboard

Thank you for your purchase. We want your item to last as long as possible. To ensure the product gives you years of service, please refer to this care and maintenance guide.



#### MAINTENANCE

- Tighten all bolts and screws again within the first 2 weeks of assembly.
- Check the tightness of all bolts every 2 months, tighten them if necessary.



#### CLEANING

- Clean the surface of the MDF (medium -density fiberboard) with a lightly dampened cloth.
- Small amount of mild soap can be used if necessary.
- Dry the surface immediately after cleaning.

⚠ DO NOT use bleach or alcohol detergent to clean the surface.

⚠ DO NOT apply wood treatment on parts made with MDF.

Medium -density fiberboard will swell and distort when suffer from water damage. Make sure to dry the furniture immediately after cleaning

#### ⚠ WARNING

Manufacturer and seller expressly disclaim any and all liability for personal injury, property damage or losses, whether direct, indirect, or incidental, resulting from the incorrect attachment, improper use, inadequate maintenance, unapproved modification or neglect of this product.

## Warranty

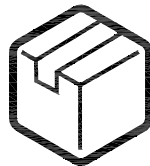
Our products come with a 1 year warranty from the date of purchase. In any event that the product arrives damaged or missing parts, we are more than happy to provide you with replacement part(s).  
**Register your product on our website to enjoy extended warranty!!**

## Easy Return

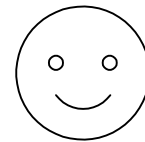
We work hard to make sure order arrives safe and secure, but rest assured we will take care of it if it is not up to standard. If you need replacement parts, Contact us we will send you replacements with no hassle.



Contact Us



Replacement



You

You don't have to worry about re-packaging / schedule pick-up.