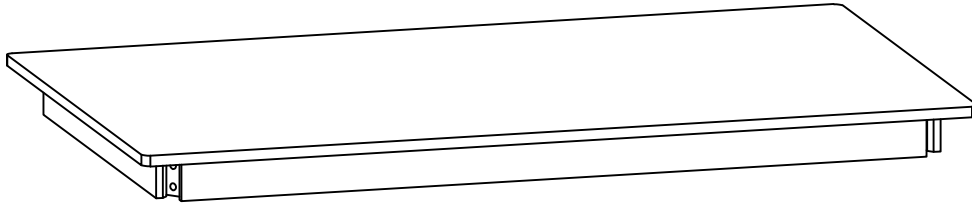
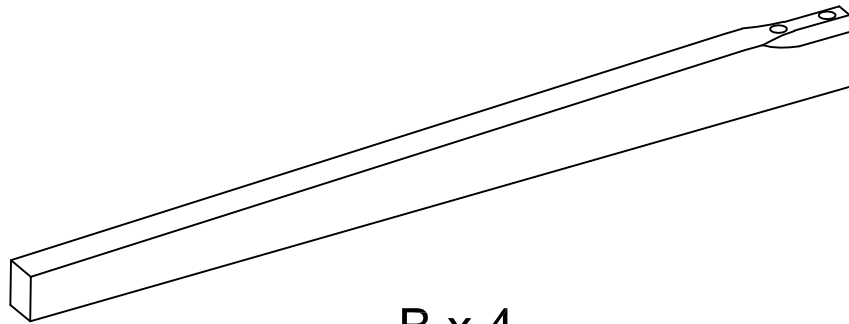


PARTS LIST



A x 1



B x 4

HARDWARE LIST



BOLT
(Ø 5/16 " x 70mm)

①

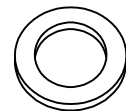
x8



SPRING WASHER
(Ø 5/16 ")

②

x8



FLAT WASHER
(Ø 5/16" x 19mm)

③

x8

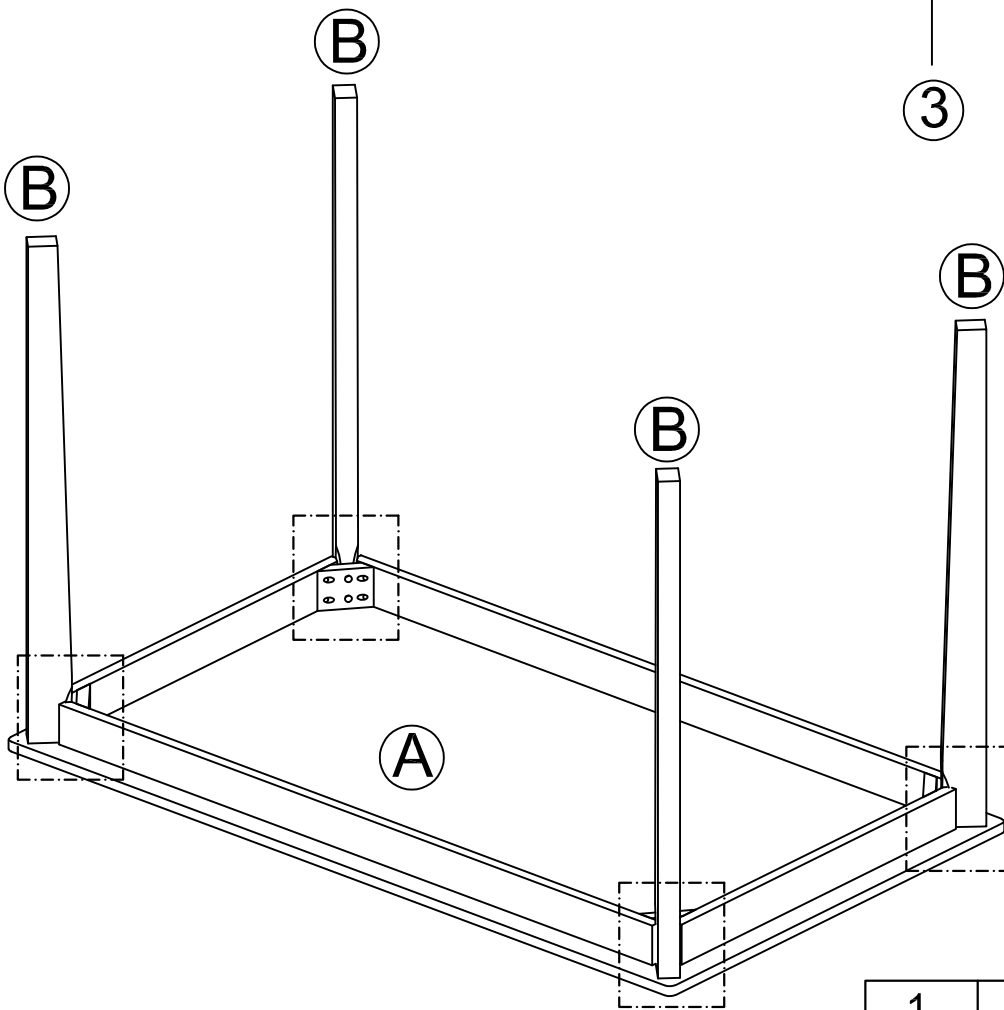
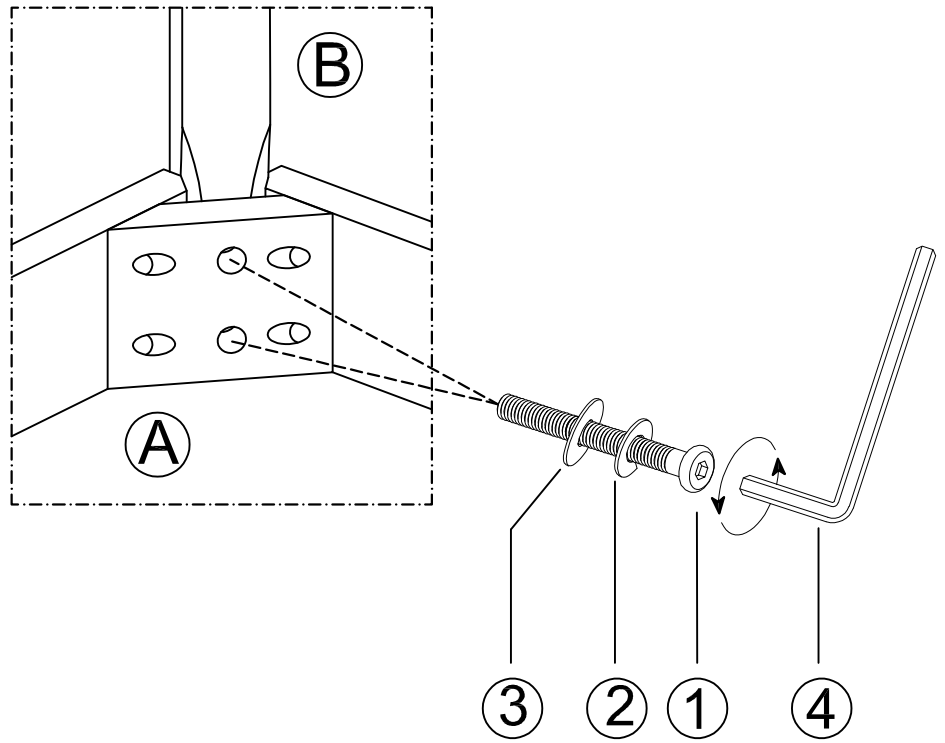






ALLEN KEY

④

x1

STEP 1.



1		x8
2		x8
3		x8
4		x1

COMPLETE

