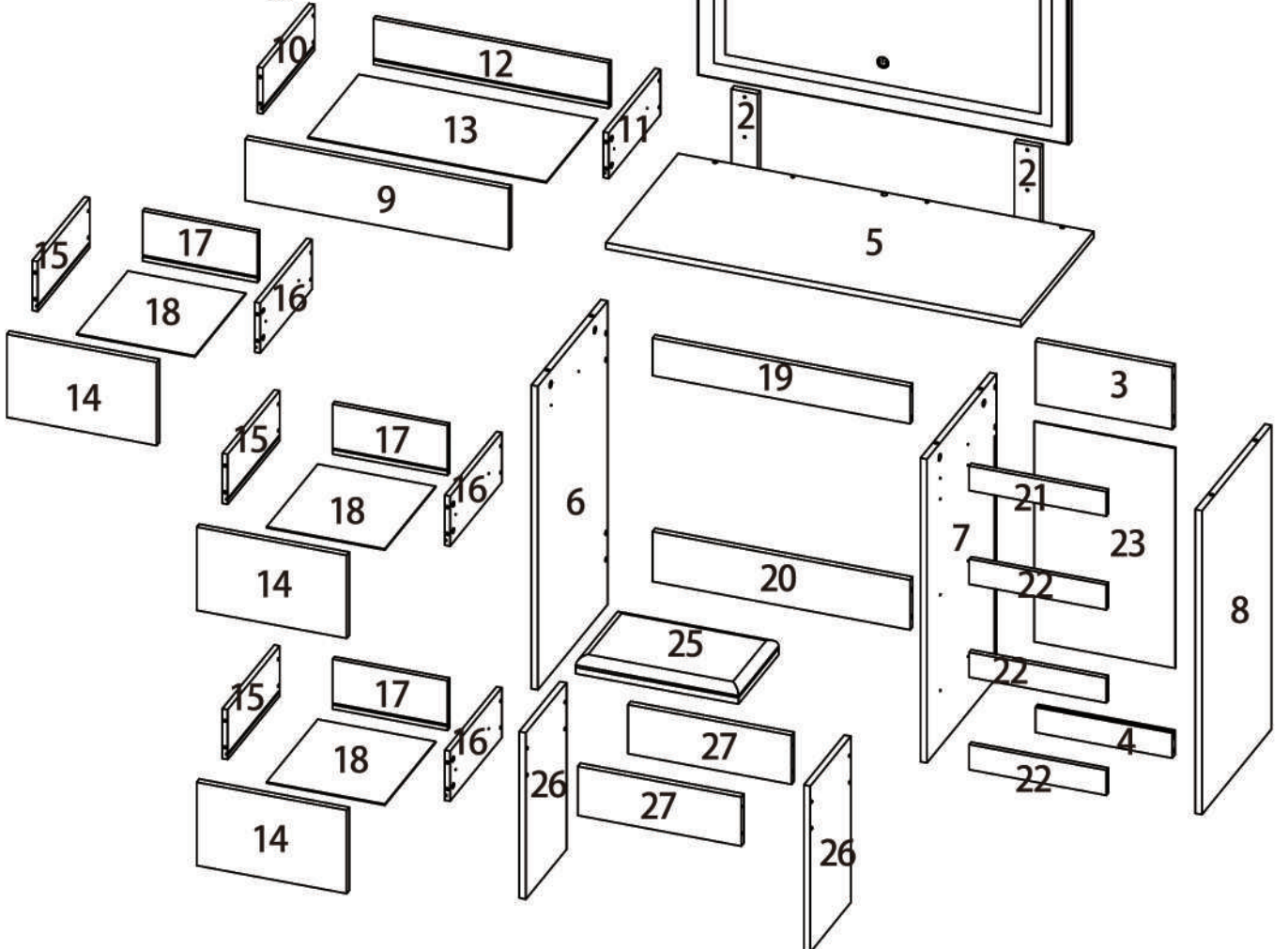
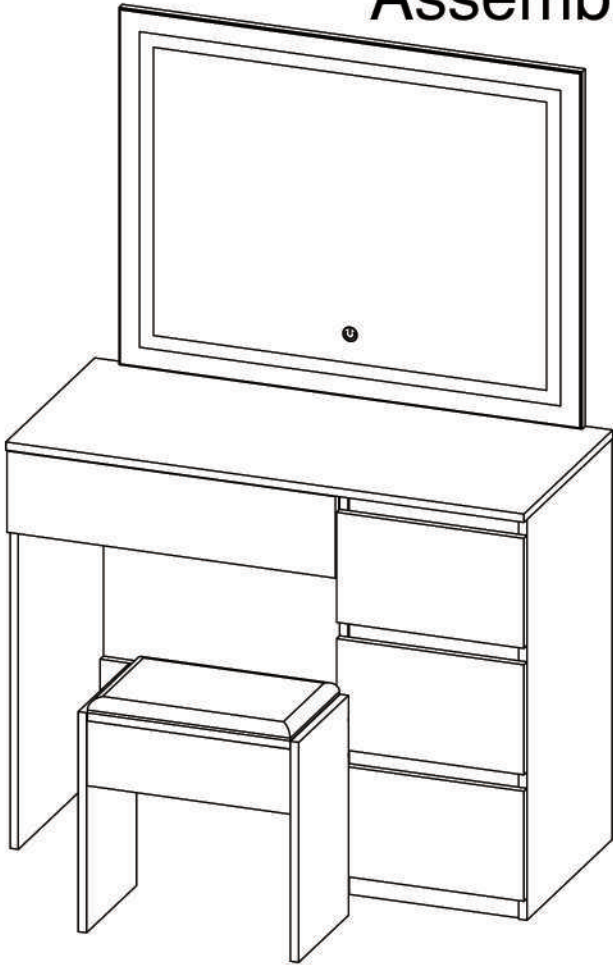






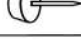
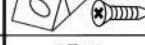
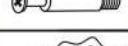



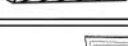












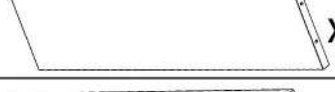
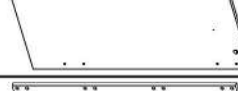


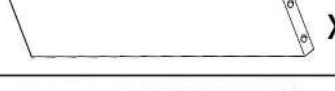






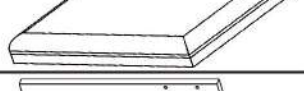



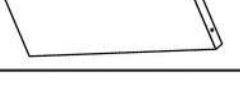

Assembly Instruction



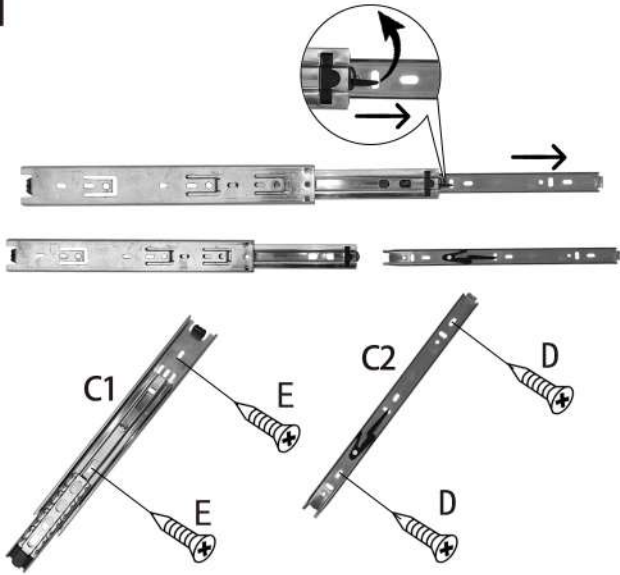
Unit: (mm)

Accessories list

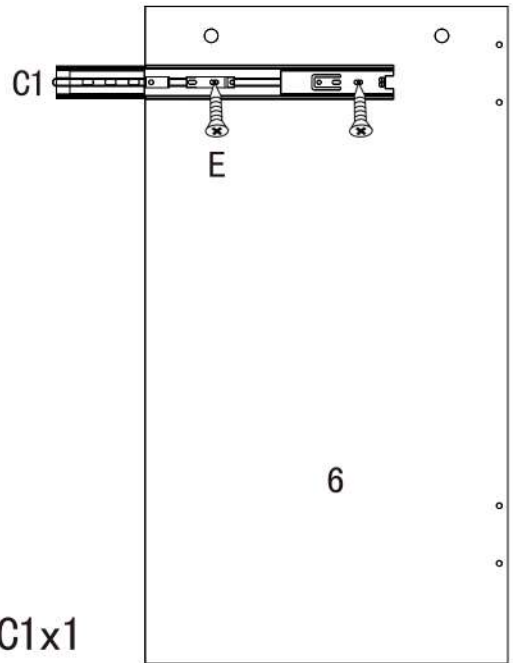
	Parts	Specification	Carton	Pcs		Parts	Specification	Carton	Pcs
A		6×40	1/1	X 22	B		15×11	1/1	X 22
C		12chines	1/1	X 8	D		M3.5×12	1/1	X 16
E		M3.5×14	1/1	X 16	F		M5×40/#3	1/1	X 26/1
G		5×Φ12	1/1	X 10	H		M3×14	1/1	X 4/4
J		6×25	1/1	X 32	K		12×10	1/1	X 32
L		USB	1/1	X 1	M		M3.5×25	1/1	X 8
N		8×40	1/1	X 2			21mm	1/1	X 24

1		X1	840x650	2/2	15		X3	300x120	1/2
2		X2	300x60	2/2	16		X3	300x120	1/2
3		X1	310x150	2/2	17		X3	260x120	1/2
4		X1	310x60	2/2	18		X3	267x295	2/2
5		X1	940x420	1/2	19		X1	583x90	2/2
6		X1	730x403	1/2	20		X1	583x120	2/2
7		X1	730x403	1/2	21		X1	310x59	1/2
8		X1	730x403	2/2	22		X3	310x60	1/2
9		X1	596x148	2/2	23		X1	529x319	1/2
10		X1	300x110	1/2					
11		X1	300x110	1/2	25		X1	368x233	1/2
12		X1	533x110	2/2	26		X2	400x235	1/2
13		X1	540x295	1/2	27		X2	370x118	2/2
14		X3	340x200	2/2					

1

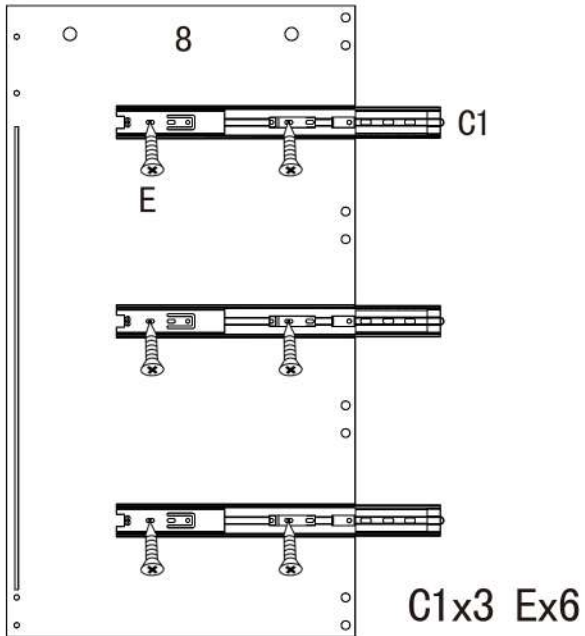


2



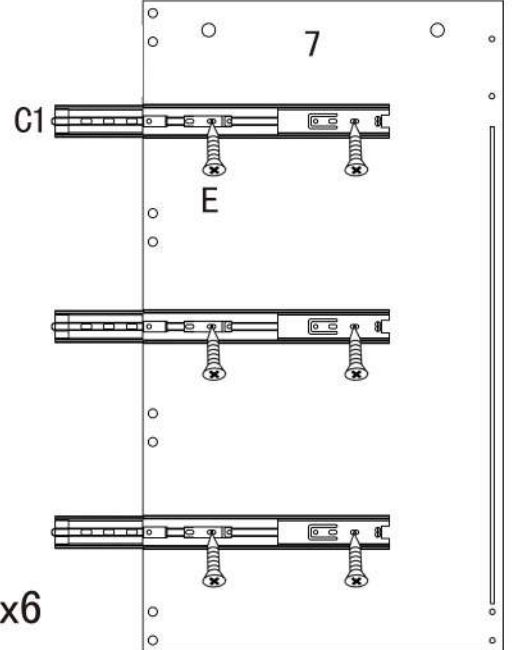
Ex2 C1x1

3



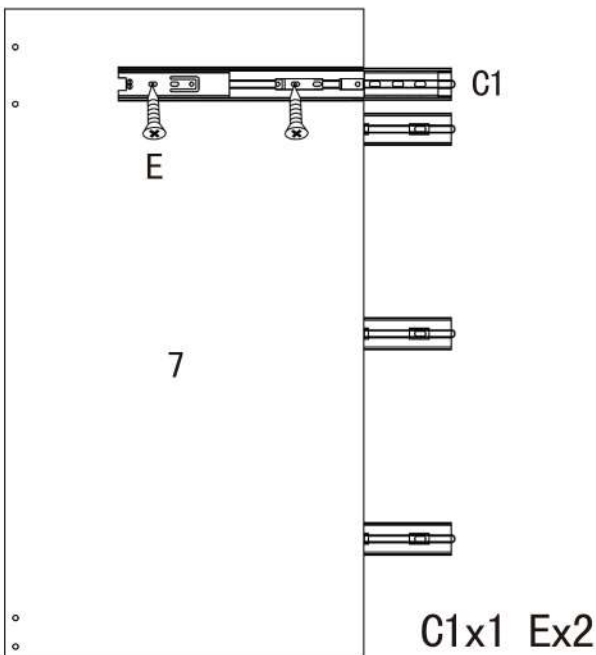
C1x3 Ex6

4



C1x3 Ex6

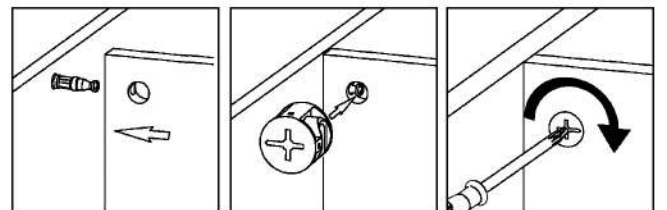
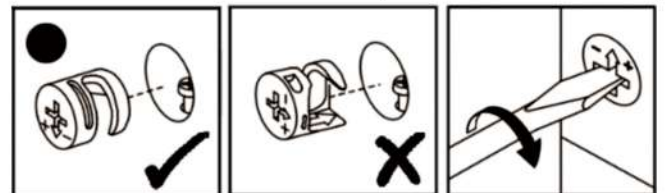
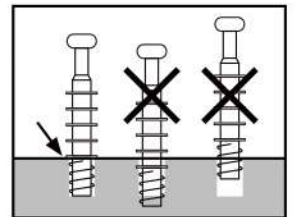
5

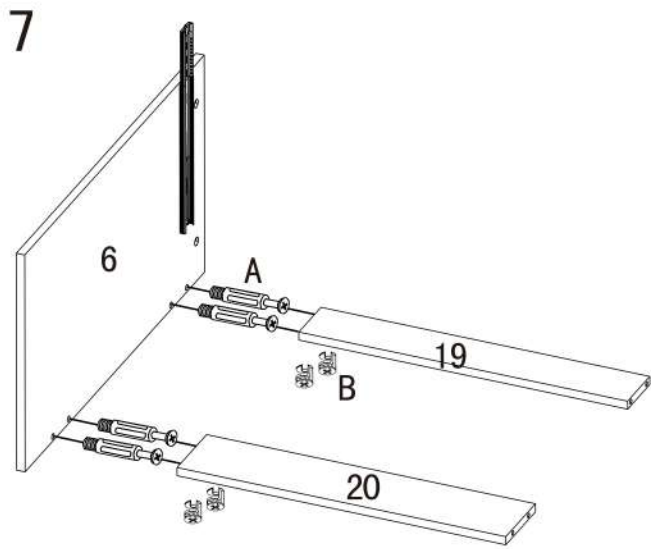


C1x1 Ex2

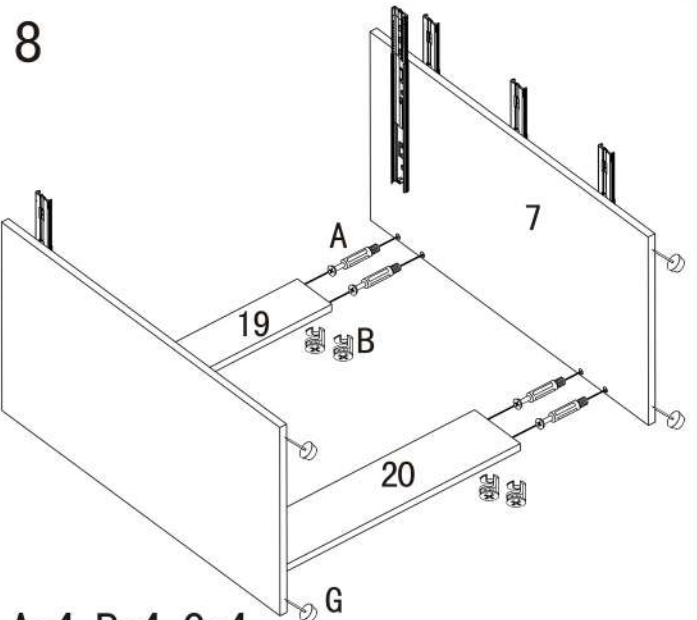
6

Installation method of three in one rod and buckle

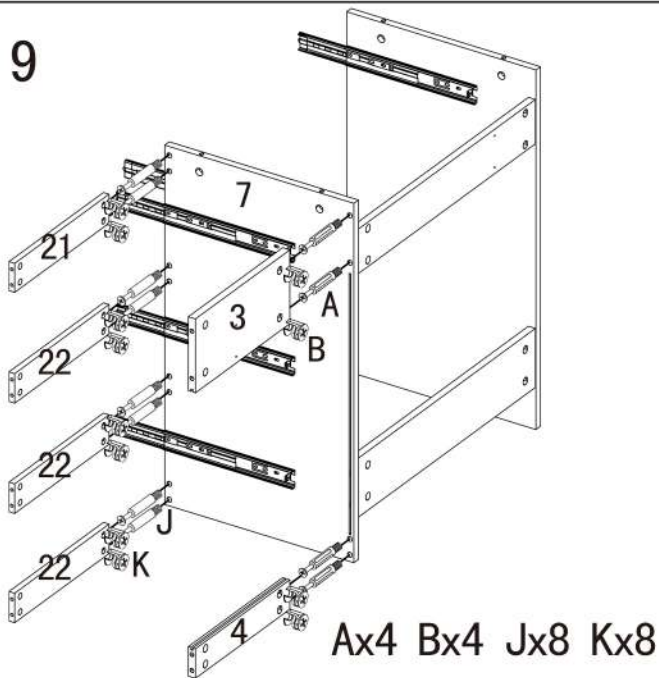




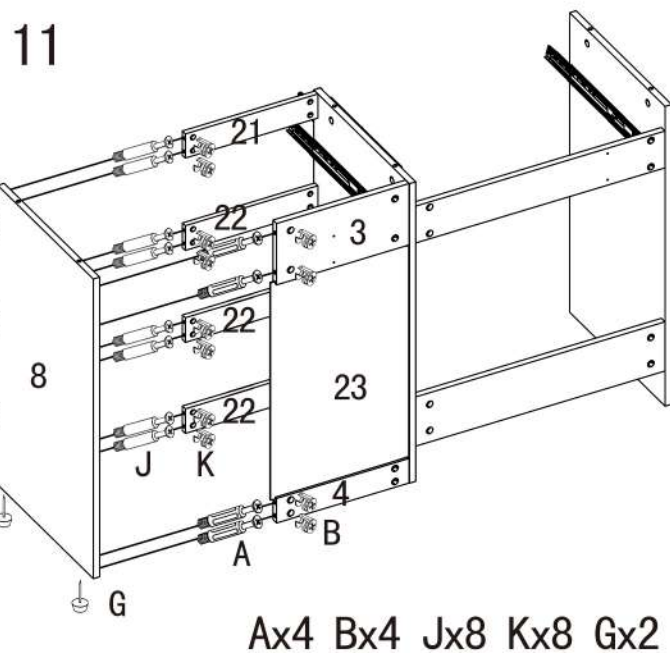
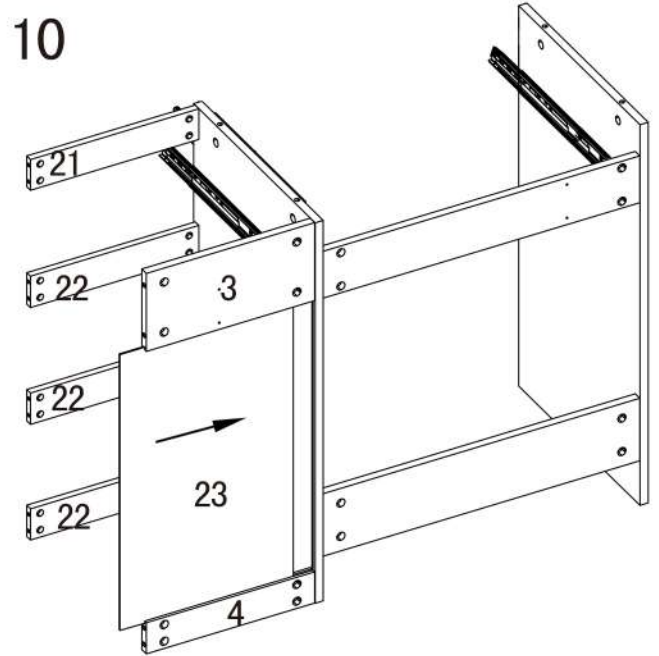
Ax4 Bx4



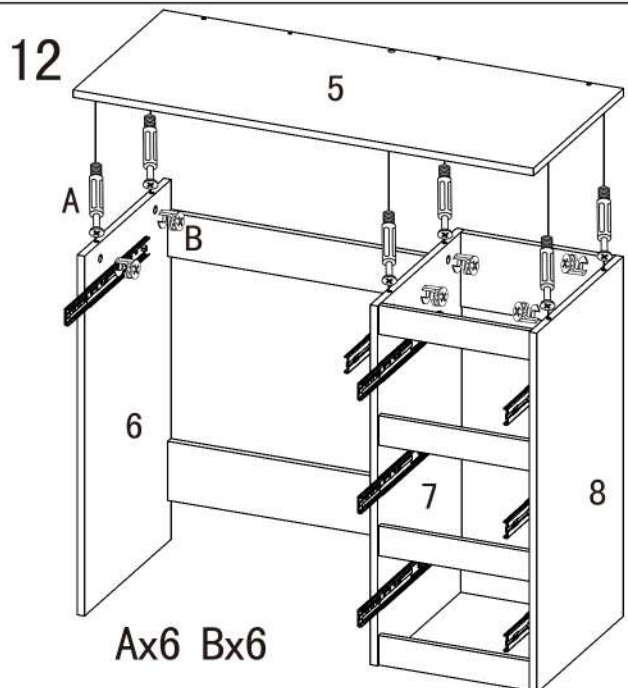
Ax4 Bx4 Gx4



Ax4 Bx4 Jx8 Kx8

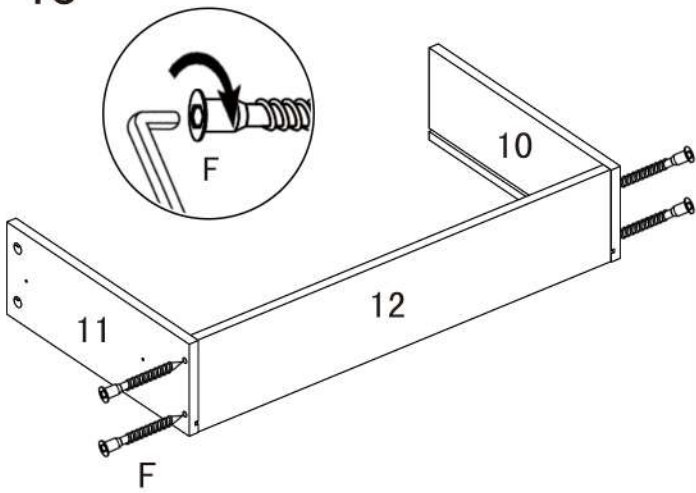


Ax4 Bx4 Jx8 Kx8 Gx2



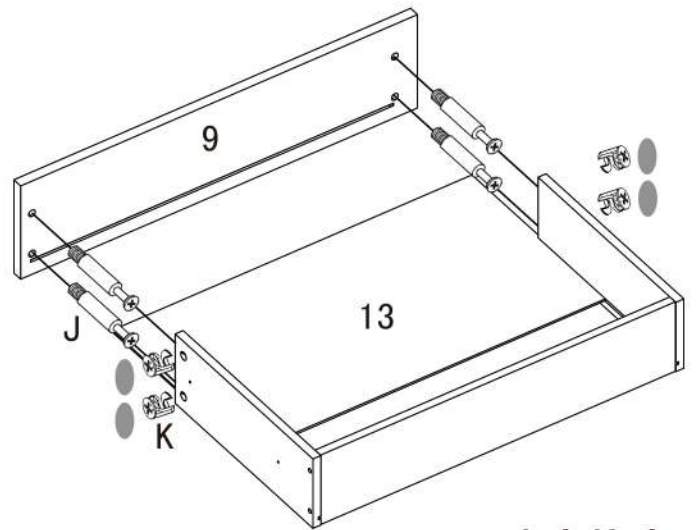
Ax6 Bx6

13



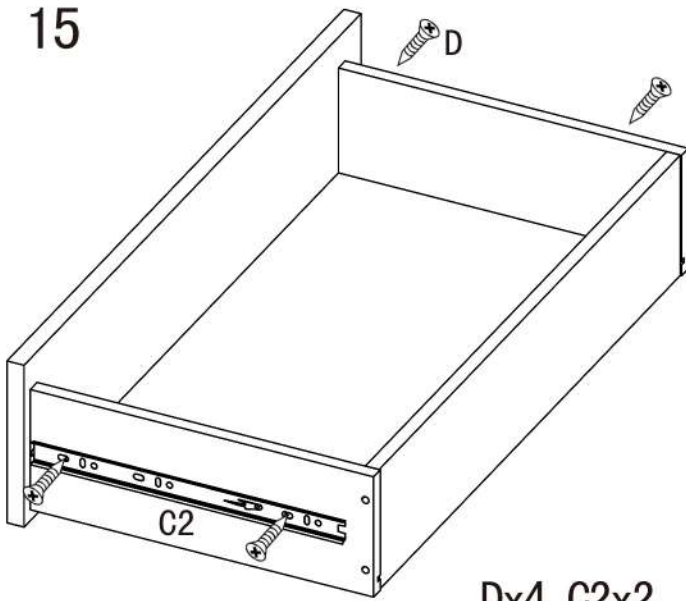
Fx4

14



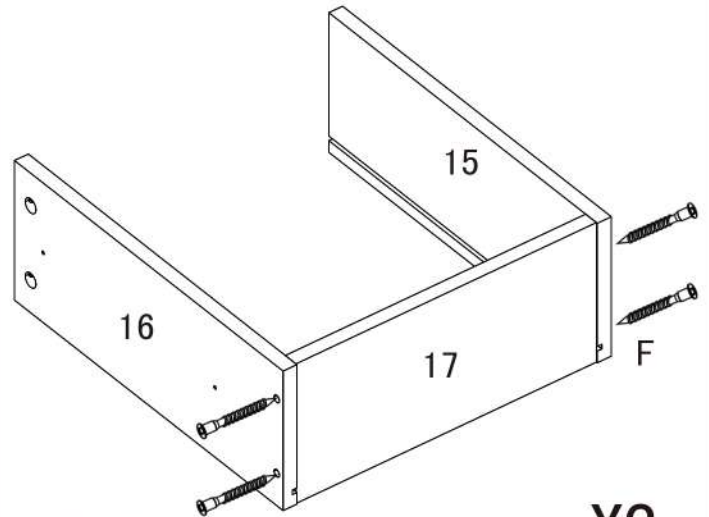
Jx4 Kx4

15



Dx4 C2x2

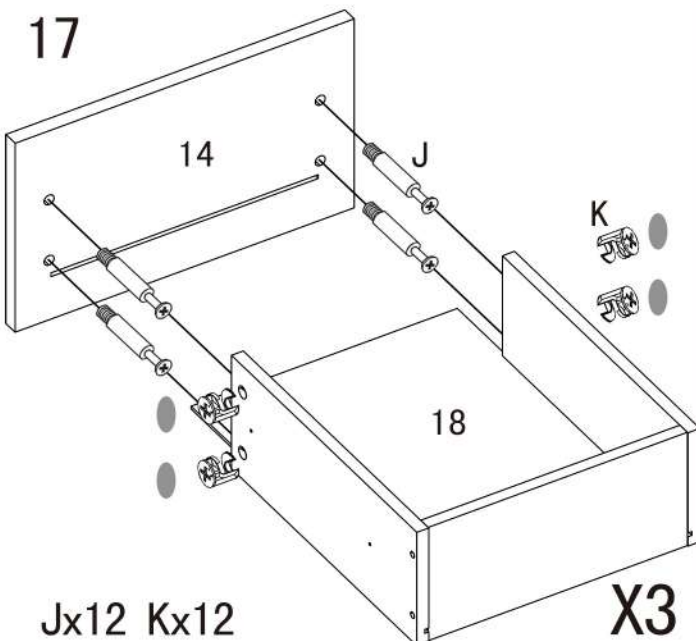
16



Fx12

X3

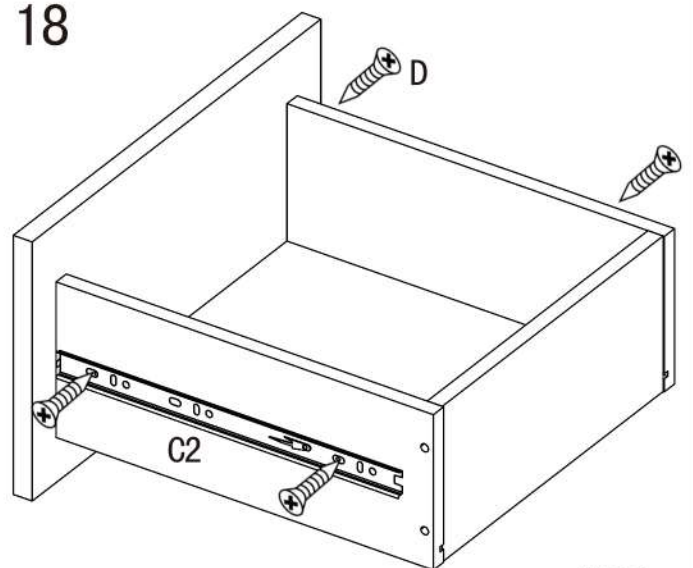
17



Jx12 Kx12

X3

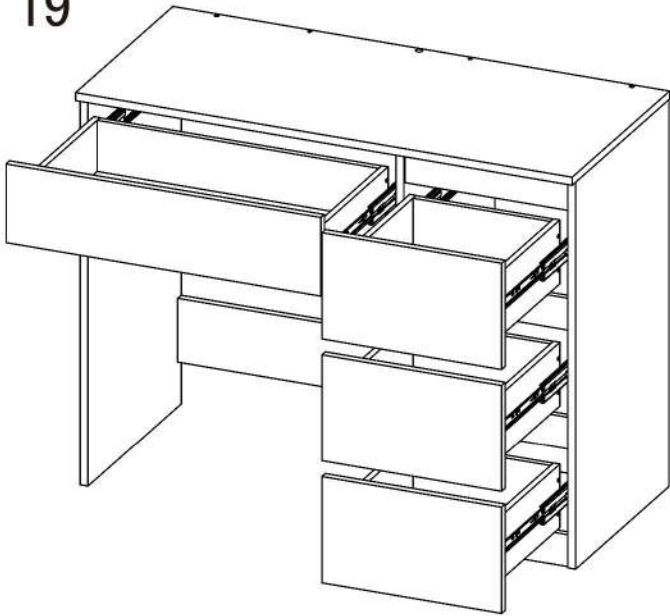
18



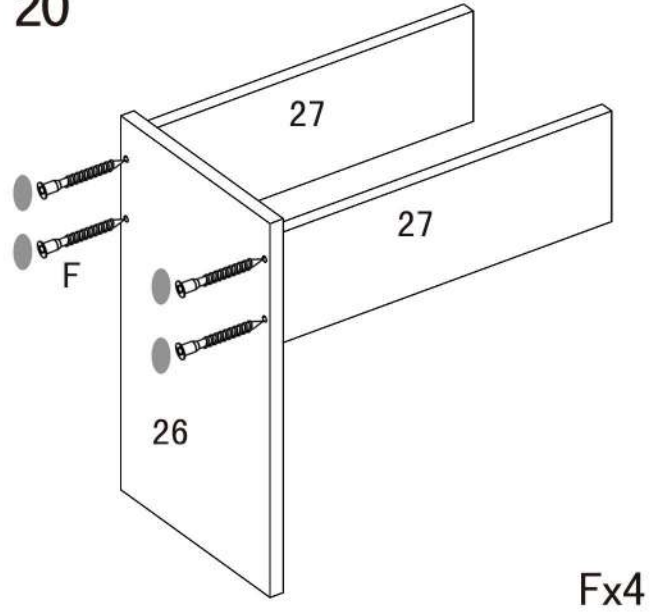
C2x6 Dx12

X3

19

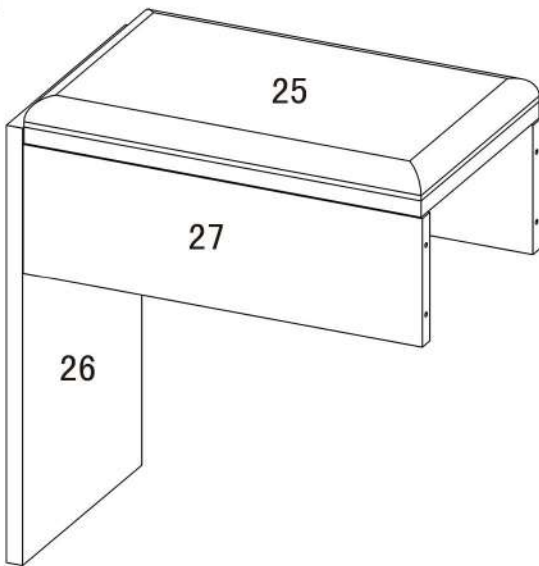


20

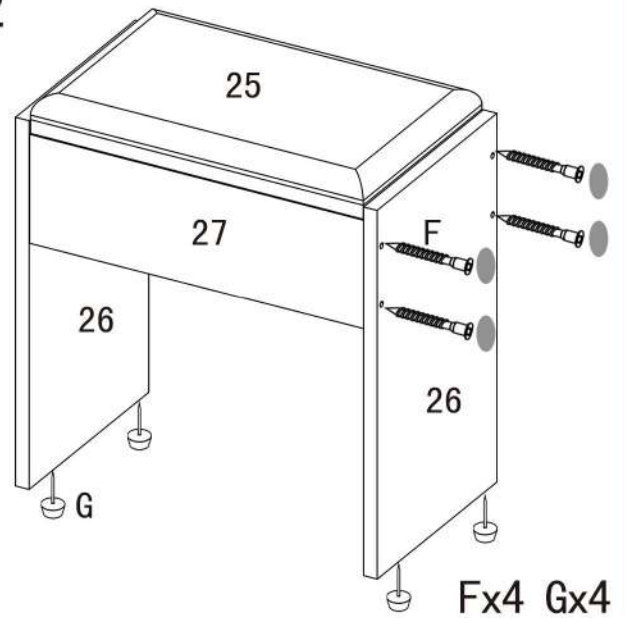


Fx4

21

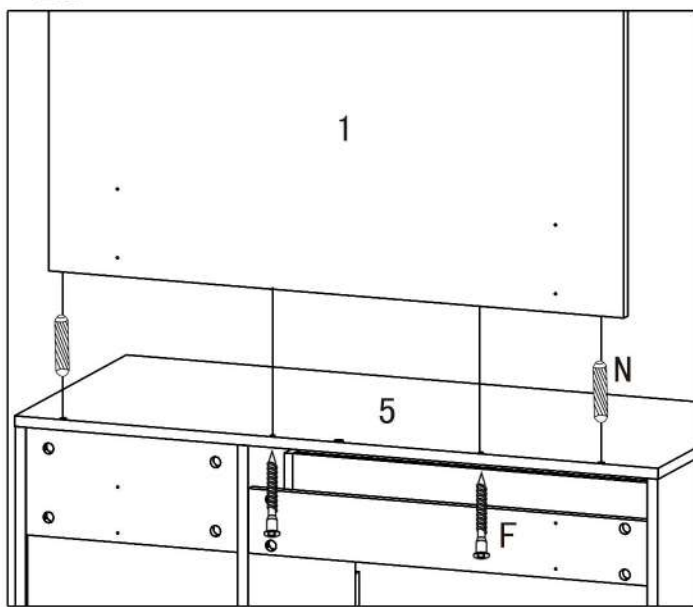


22

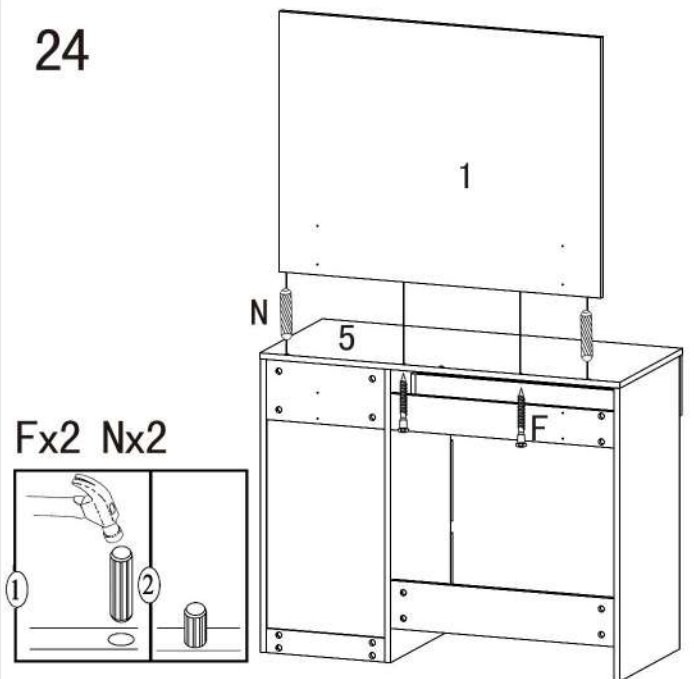


Fx4 Gx4

23

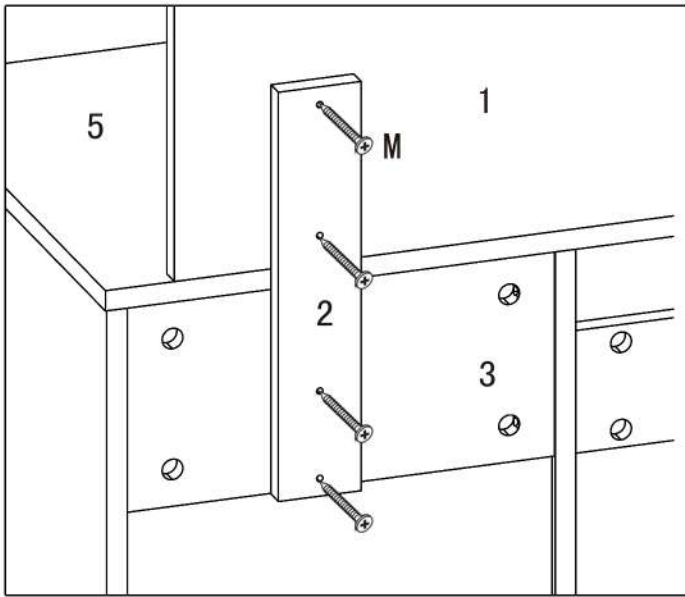


24

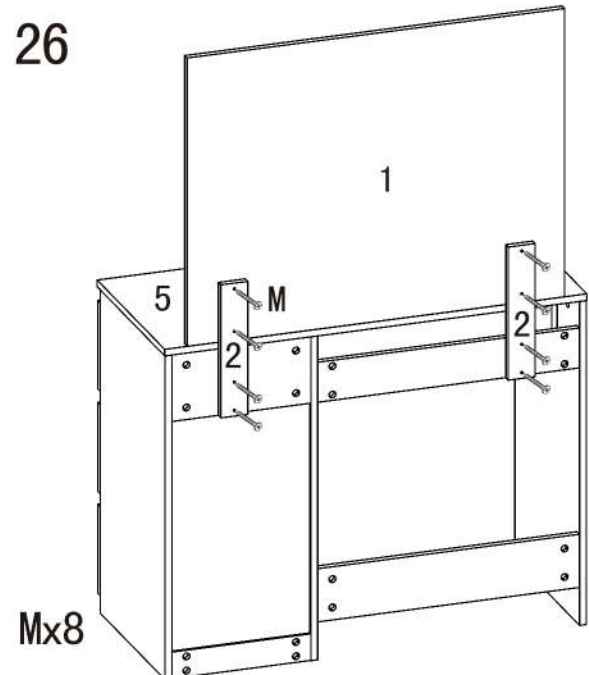


Fx2 Nx2

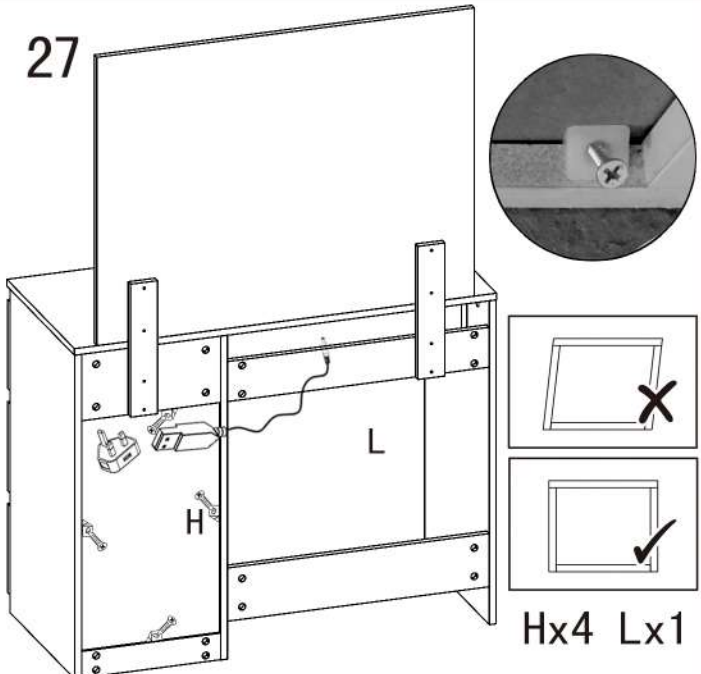
25



26



27



28

