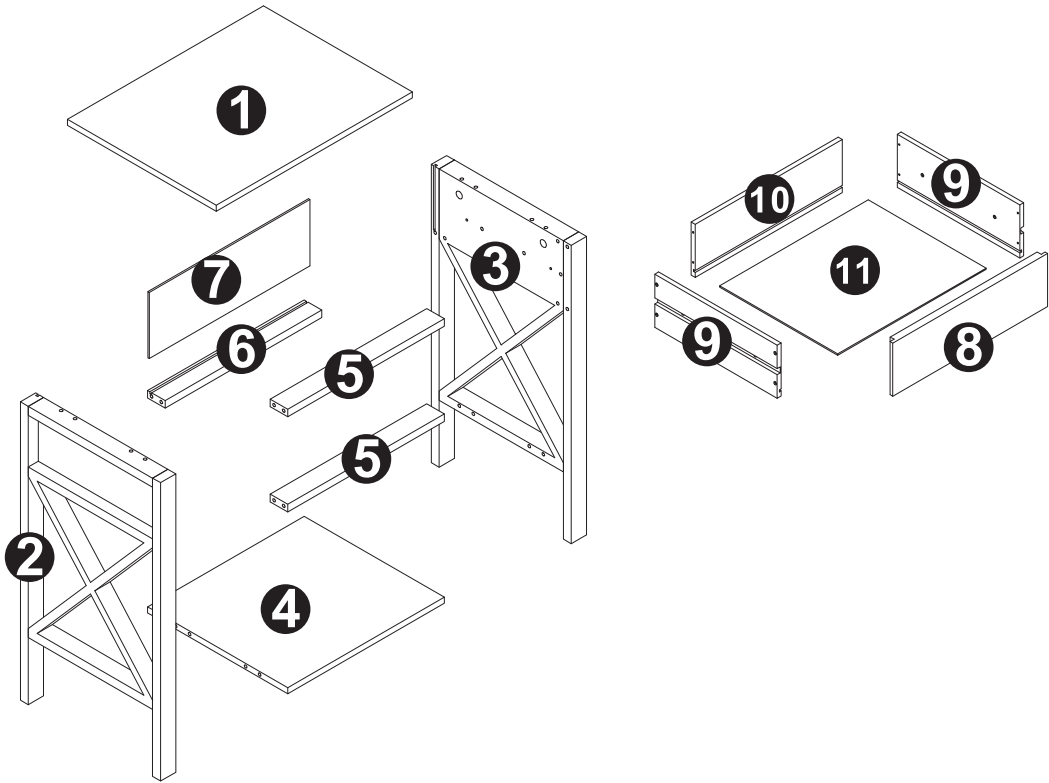
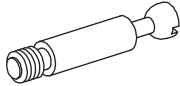





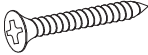
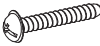






# PARTS LIST

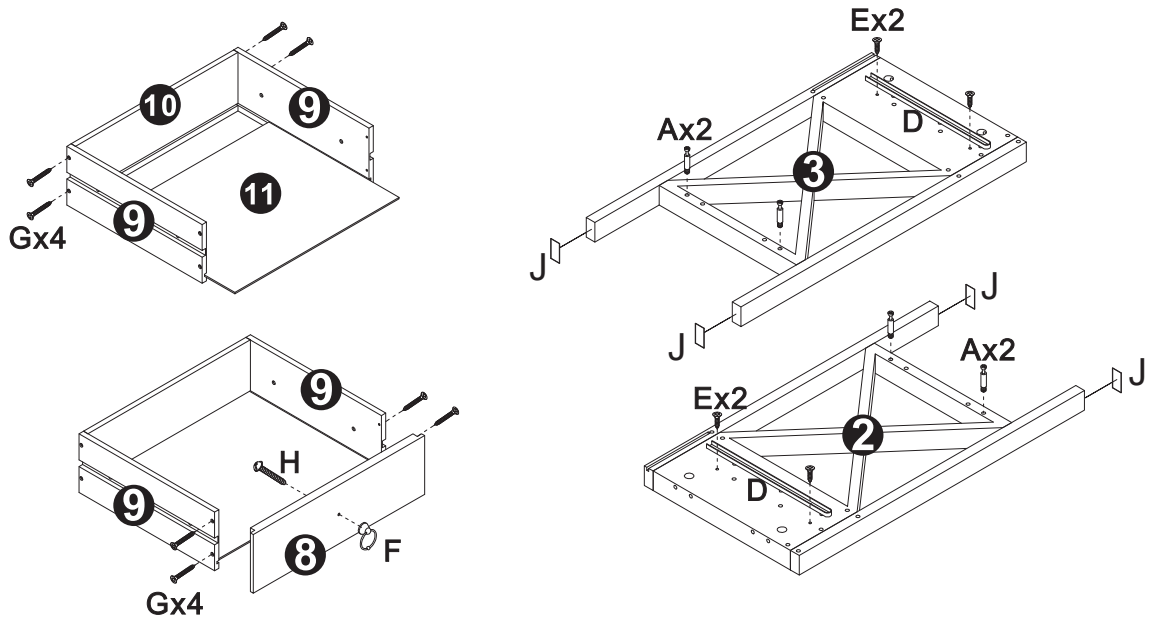


NO	QTY	DESCRIPTION
1	1	Roof
2	1	Left side leg
3	1	Right side leg
4	1	Baseboard
5	2	Front stiffener
6	1	Back stiffener
7	1	Backboard
8	1	Drawer panel
9	2	Drawer side plate
10	1	Drawer backboard
11	1	Drawer baseboard

<b>NO</b>	<b>PARTS</b>	<b>QTY</b>	<b>DESCRIPTION</b>
A		8PCS	Eccentric rod
B		8PCS	Eccentric gear
C		20PCS	Wood plug
D		2PCS	Plastic pathway
E		4PCS	Self-tapping screw
F		1PC	Handle
G		8PCS	Self-tapping screw
H		1PC	Handle screw
I		2PCS	Plastic damper
J		4PCS	Mat
K		4PCS	Back Panel Bracket
L		4PCS	Self-tapping screw

**TOOLS NEEDED FOR ASSEMBLY: FLAT & PHILLIPS SCREWDRIVER (NOT INCLUDED)  
THE USE OF POWER SCREWDRIVER IS NOT RECOMMENDED**

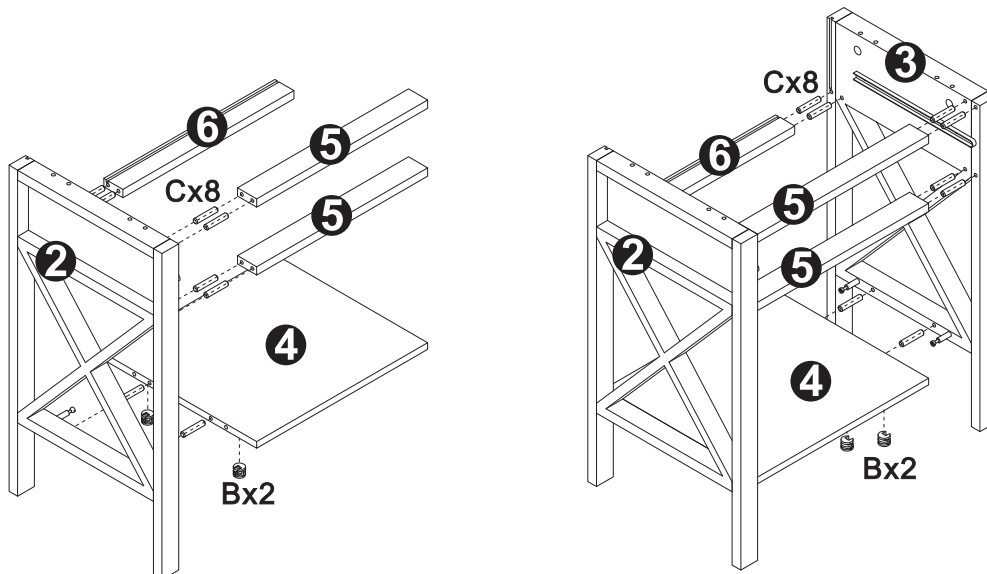
# STEP1



## Step1

- (1) Use screw G locks plate No. 9 and No. 10 together, insert plate No. 11 along the slot
- (2) Use screw G locks plate No. 8 with the assembled frame, and then use screw H locks handle F on the plate No. 8
- (3) Lock eccentric rod A on the plate no. 3, and use screw E locks plastic pathway D on the plate no.3
- (4) Lock eccentric rod A on the plate no. 2, and use screw E locks plastic pathway D on the plate no.2
- (5) Attach mat J on the tip of leg No.2 and No.3

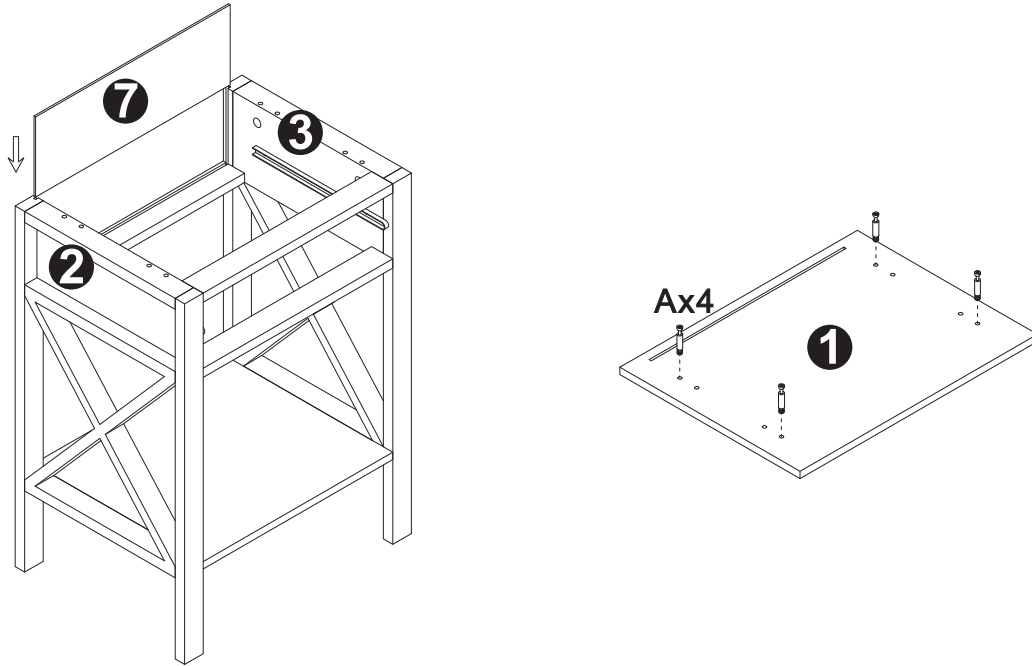
# STEP2



## Step2

- (1) Use wood plug C connects plate NO. 2, NO. 4, NO. 5 and NO. 6, locking with eccentric gear B
- (2) Use wood plug C connects plate no. 3 together with the assembled framework, locking with eccentric gear B

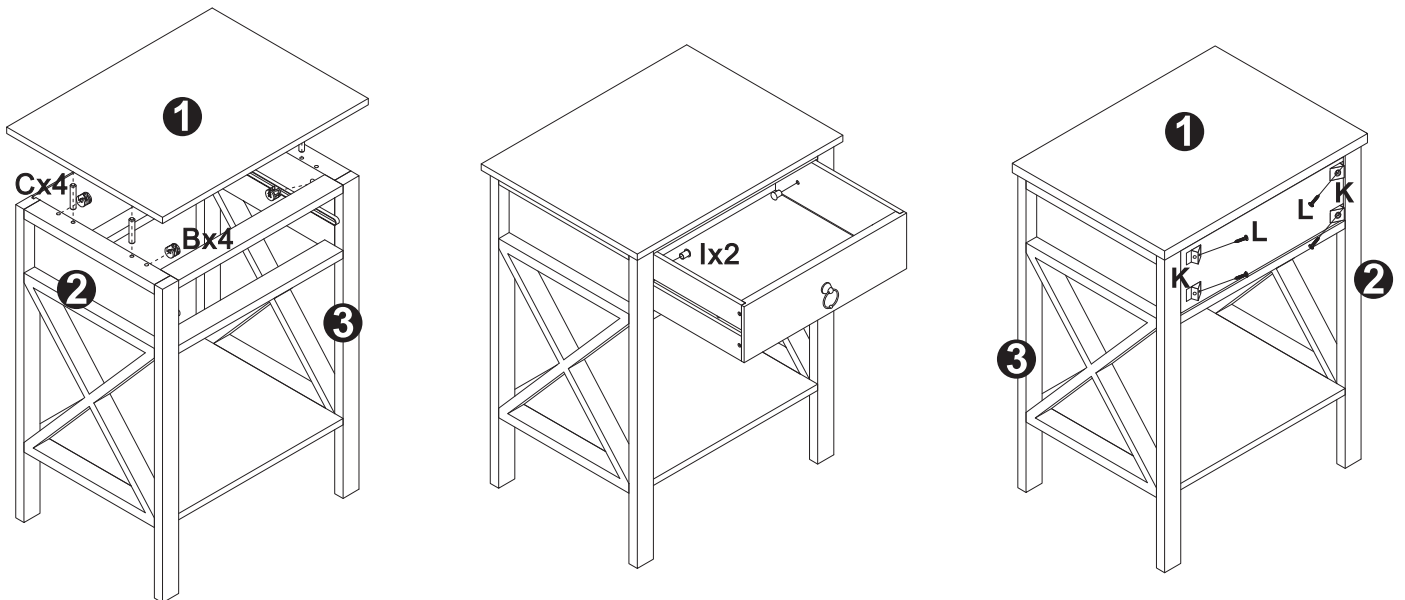
## STEP3



### Step3

- (1) Insert plate No. 7 along the plate No. 2 and No. 3 parts slot.
- (2) Lock eccentric rod A on the plate No. 1.

## STEP4



### Step4

- (1) Use wood plug C connects plate No. 1 together with the assembled framework, locking with eccentric gear B.
- (2) Put the assembled drawer along into rail, and put plastic damper I into the hole.
- (3) Use screw L to fix back panel bracket K in the crack of the back board.