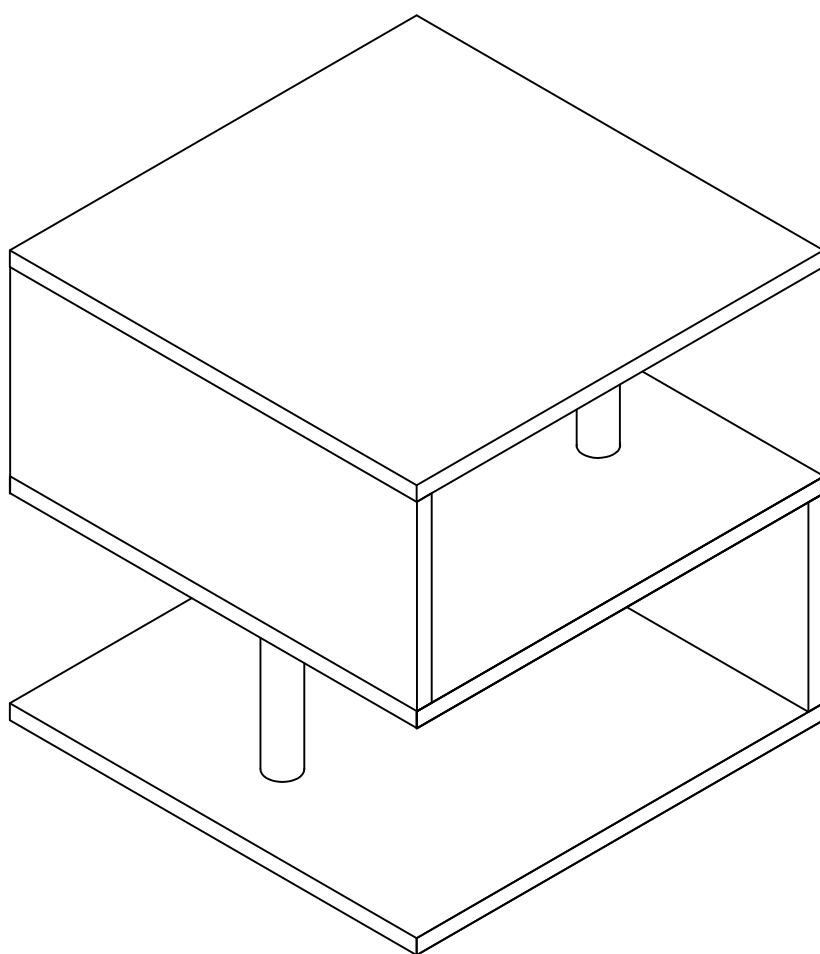
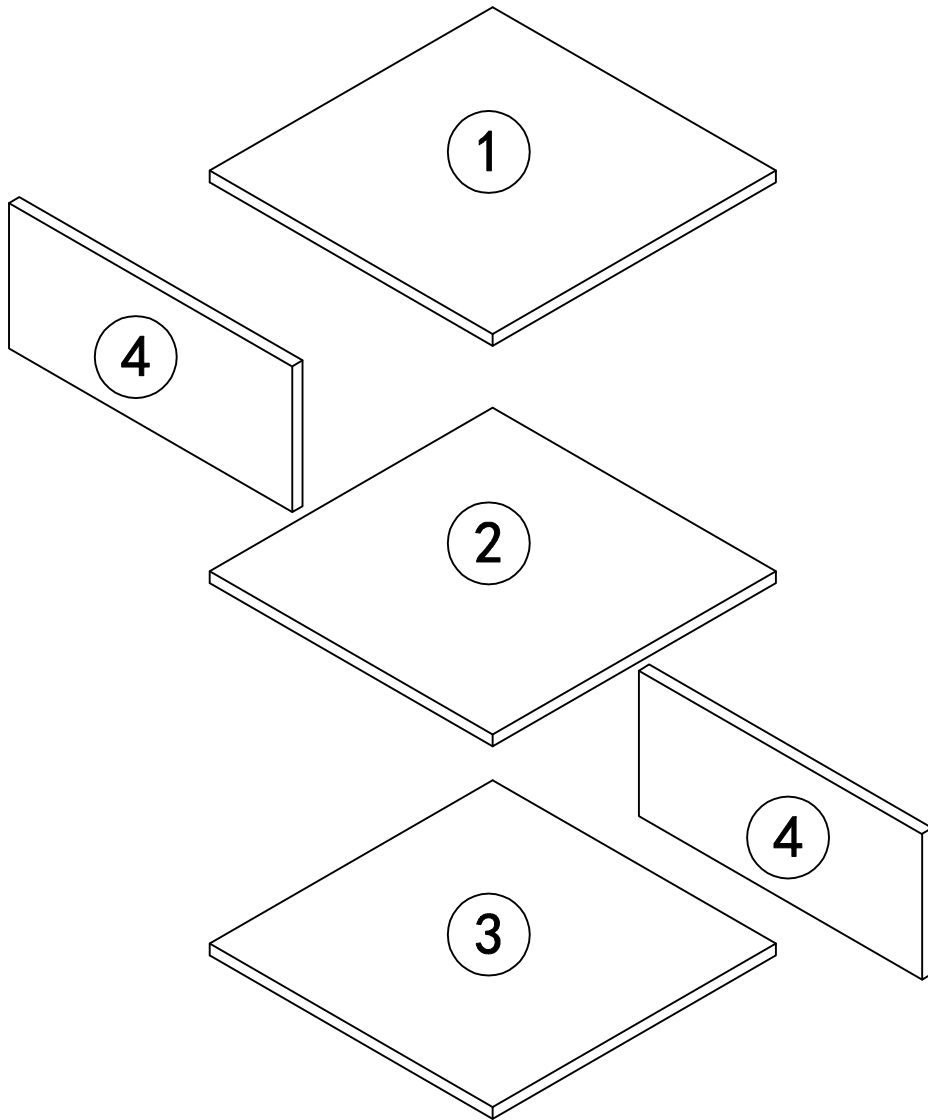





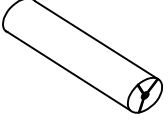
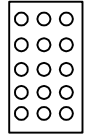


Products Instructions

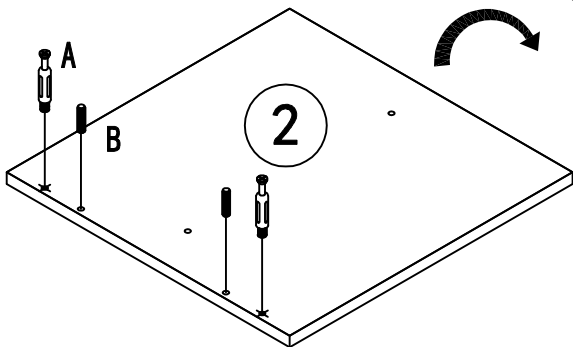
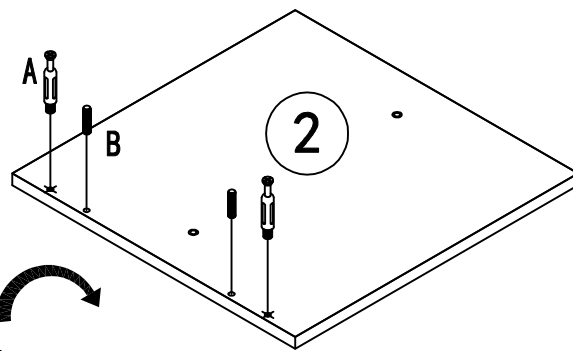
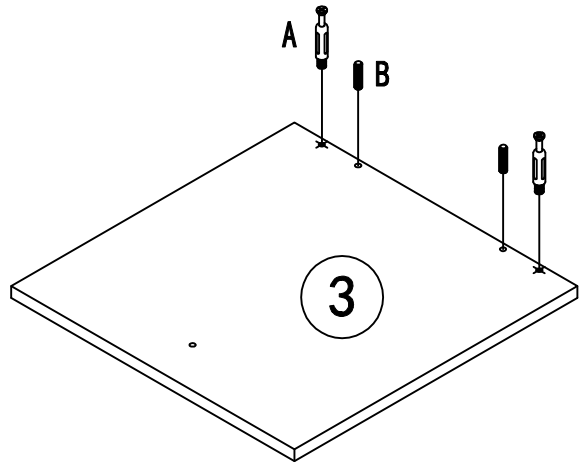
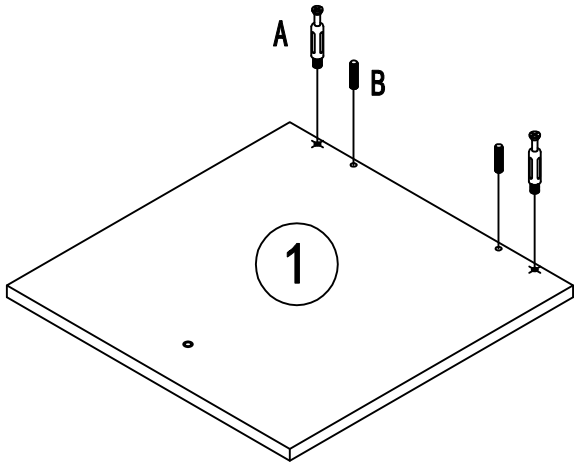


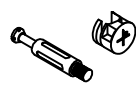
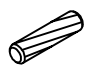
1	x 1
2	x 1
3	x 1
4	x 2



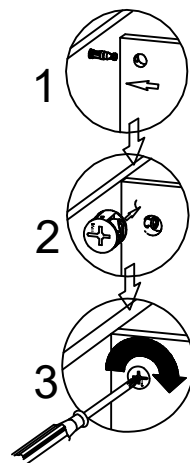
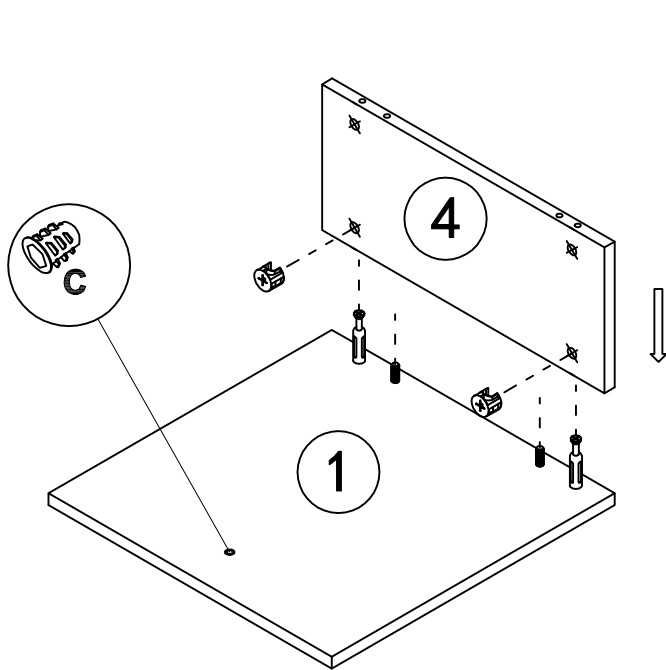
<p>(A) x 8 +1 Spare</p> 	<p>(B) x 8 +1 Spare</p>  <p>φ 8*30</p>	<p>(C) x 2 Installed</p>  <p>M8*12</p>	<p>(D) x 2</p>  <p>M8*25</p>	<p>(E) x 2</p>  <p>M8*23</p>
<p>(F) x 2</p>  <p>φ 38*223mm</p>	<p>(G) x 8 +1 Spare</p>  <p>φ 21</p>			

STEP 1



<p>(A) x 8</p> 	<p>(B) x 8</p>  <p>φ 8*30</p>
---	--

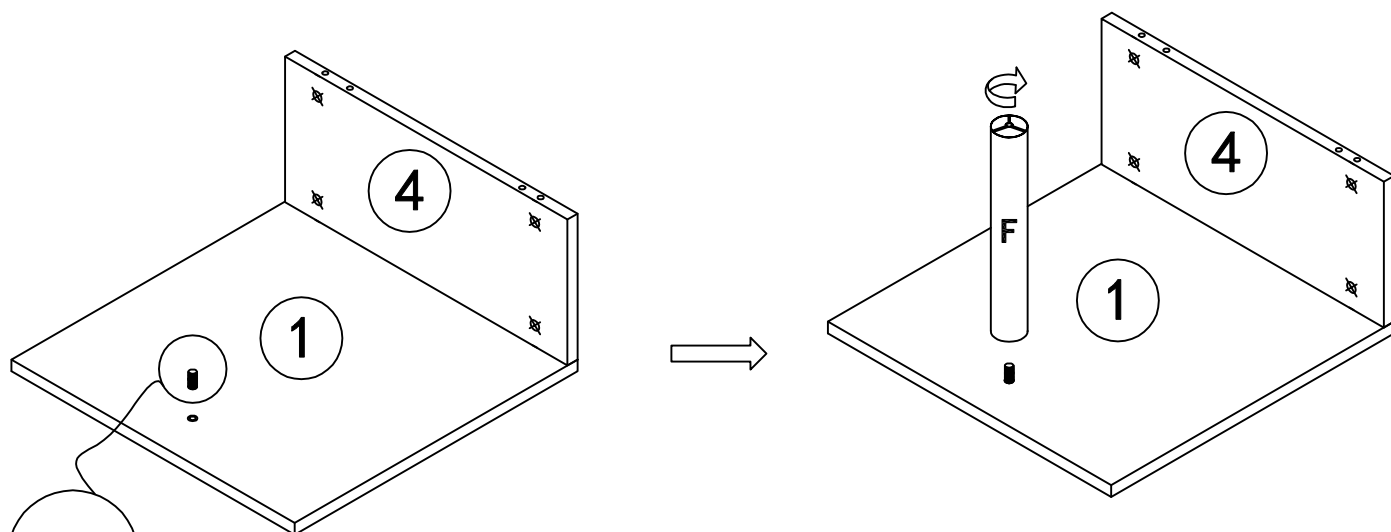
STEP 2



(A) x 2



STEP 3



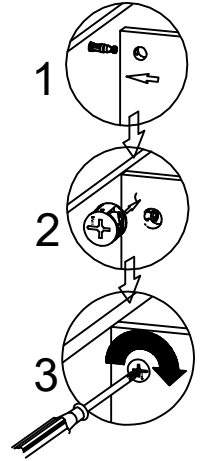
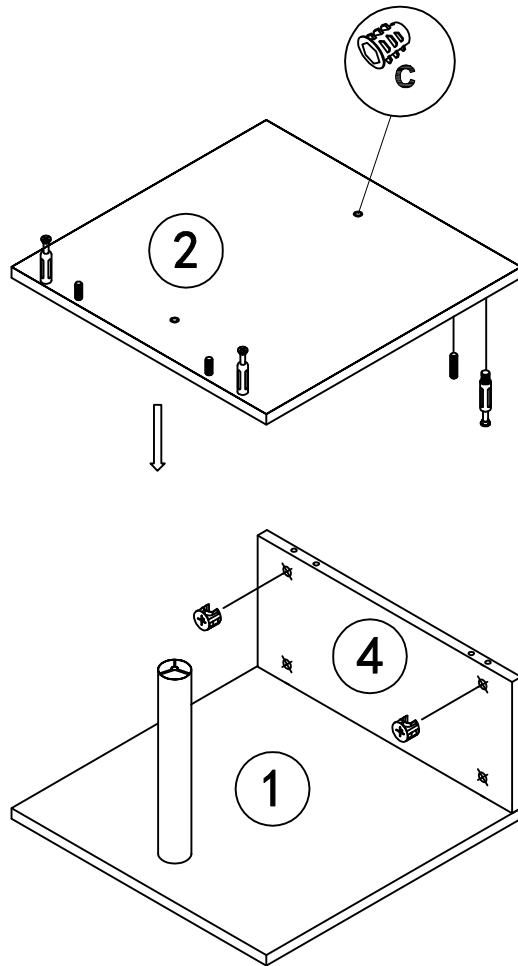
(E) x 1

M8*23

(F) x 1

φ 38*223mm

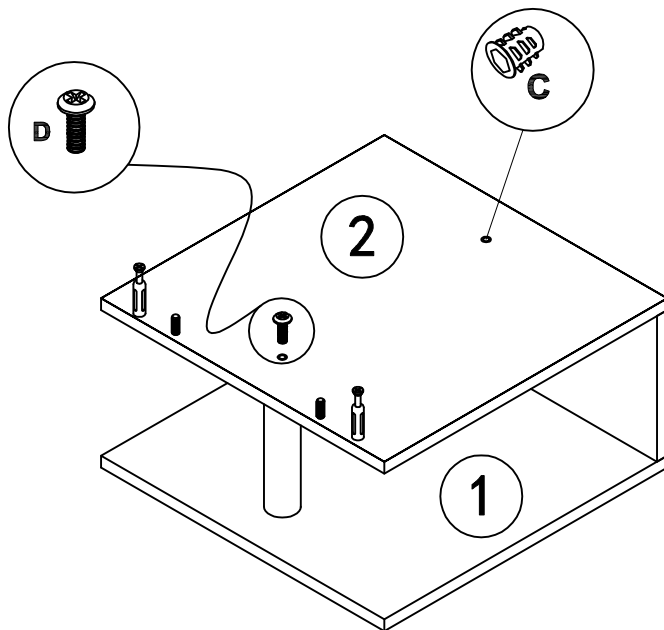
STEPT 4



(A) x 2



STEPT 5

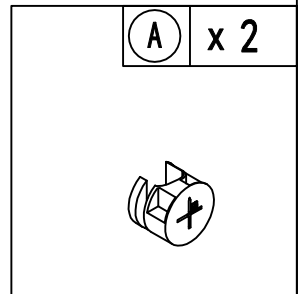
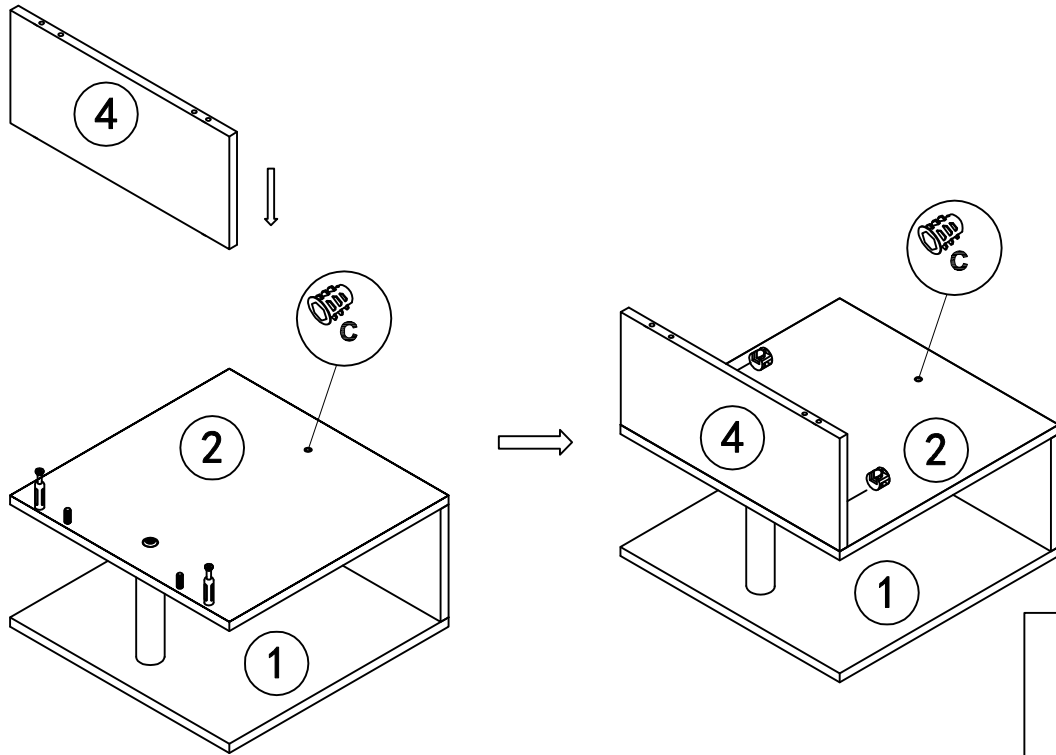


(D) x 1

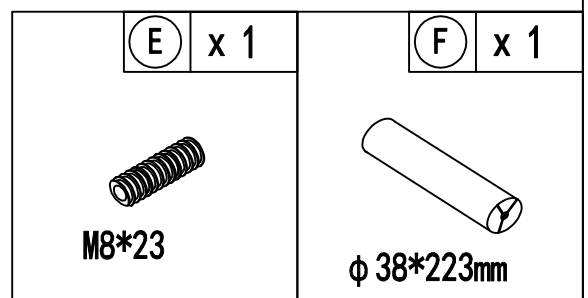
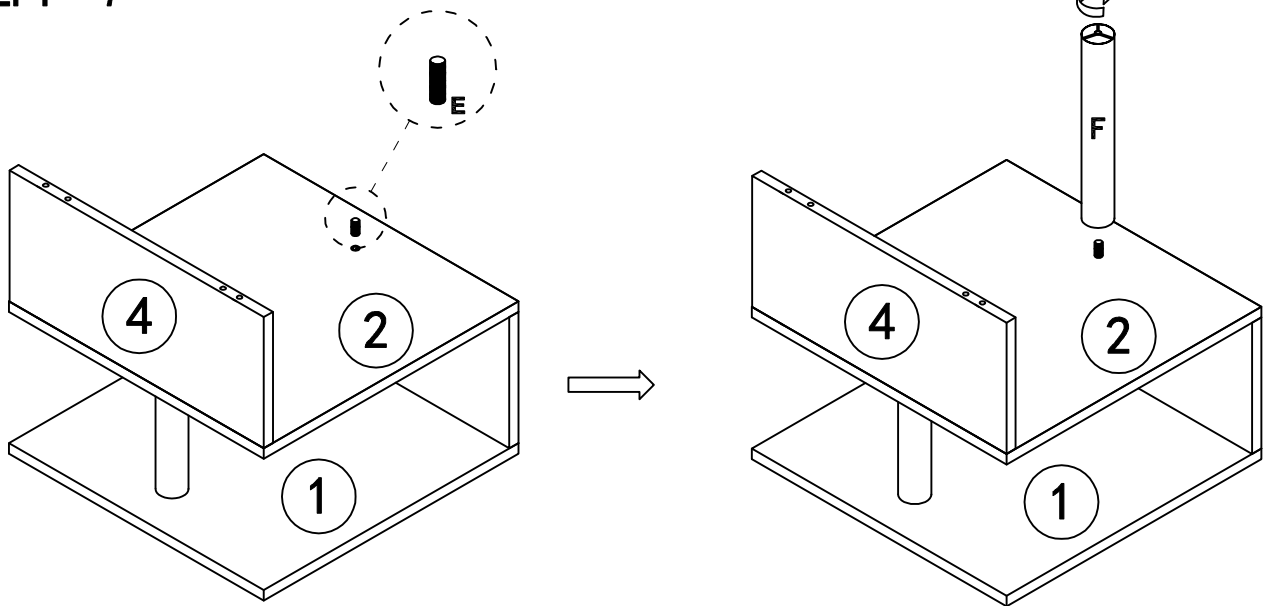


M8*25

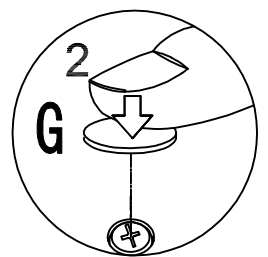
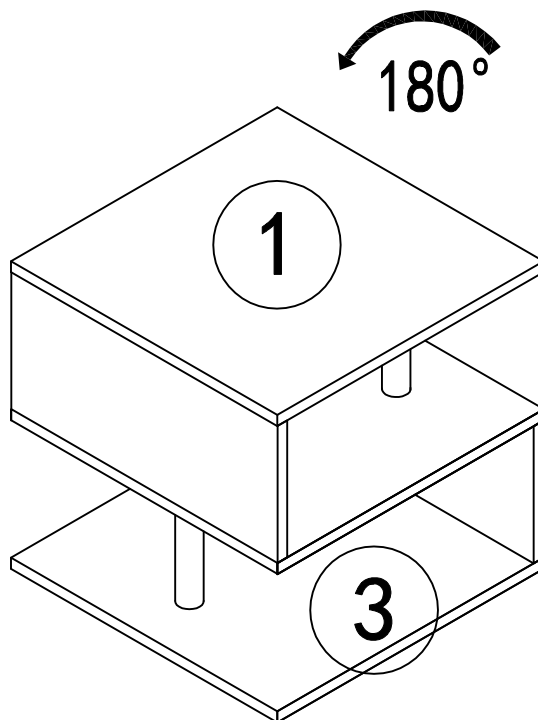
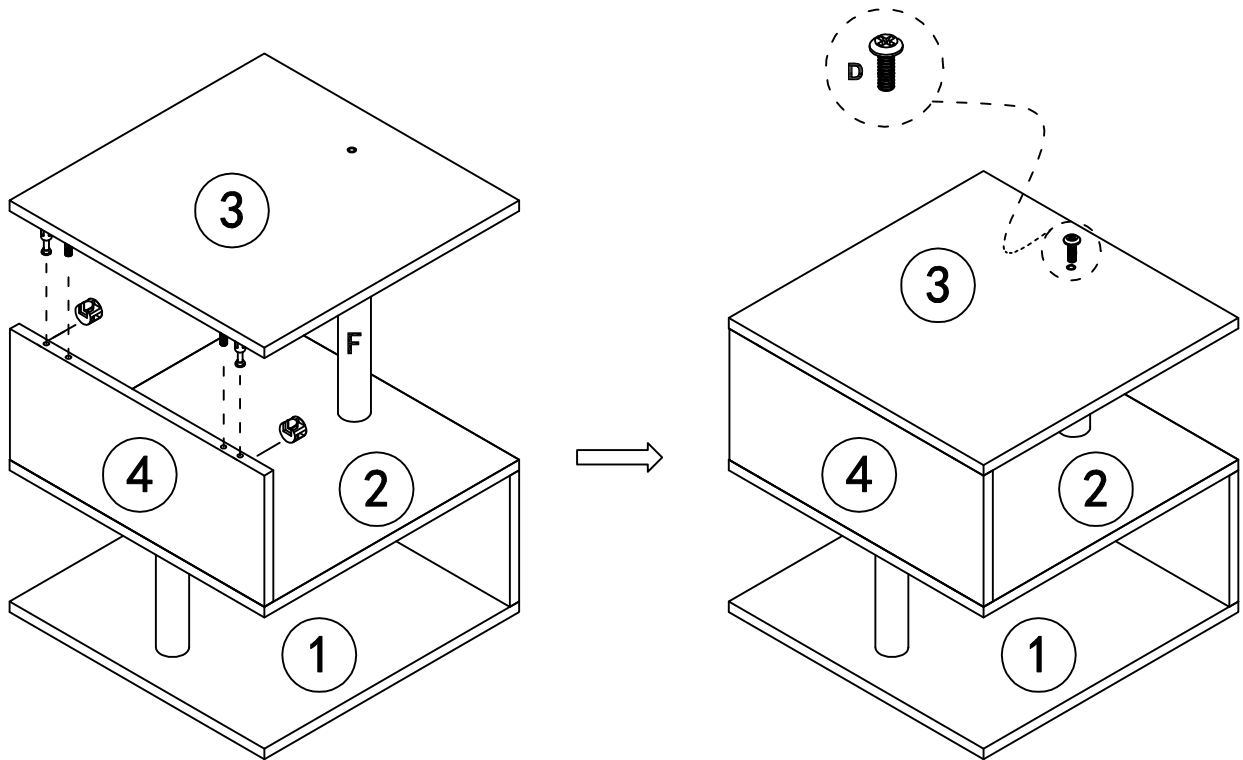
STEPT 6



STEPT 7



STEPT 8



<p>(A) x 2</p>	<p>(D) x 1</p>	<p>(G) x 8</p>
	<p>M8*25</p>	<p>φ 21</p>