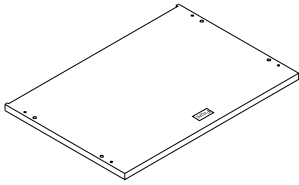
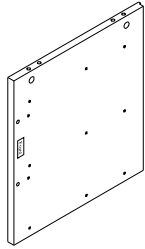


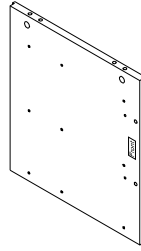
PARTS LIST



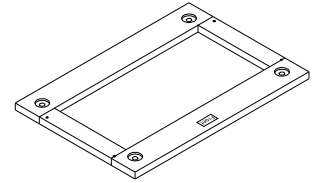
NAME: TOP PANEL
CODE: 1
QTY: 1Pc



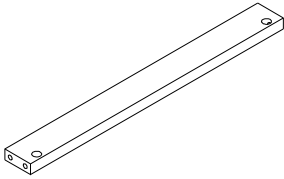
NAME:SIDE PANEL(LEFT)
CODE: 2
QTY: 1Pc



NAME:SIDE PANEL(RIGHT)
CODE: 3
QTY: 1Pc



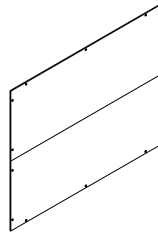
NAME: BOTTOM FRAME
CODE: 4
QTY: 1Pc



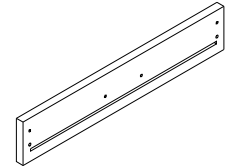
NAME: CENTER BAR
CODE: 5
QTY: 2Pcs



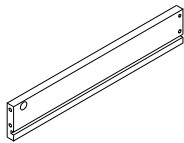
NAME: LEG
CODE: 6
QTY: 4Pcs



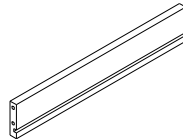
NAME: BACK PLY
CODE: 7
QTY: 1Pc



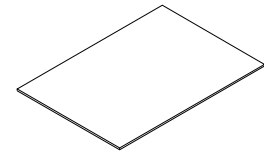
NAME: SMALL DRAWER FRONT
CODE: 101
QTY: 1Pc



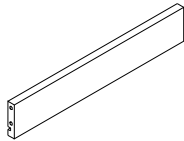
NAME: SMALL DRAWER SIDE(LEFT)
CODE: 102
QTY: 1Pc



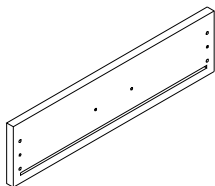
NAME: SMALL DRAWER BACK
CODE: 103
QTY: 1Pc



NAME: DRAWER BASE
CODE: 104
QTY: 3Pcs



NAME: SMALL DRAWER SIDE(RIGHT)
CODE: 105
QTY: 1Pc

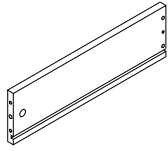


NAME: BIG DRAWER FRONT
CODE: 106
QTY: 2Pcs

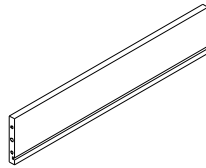


3 DRAWER NIGHTSTAND

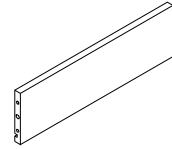
-THE UNIT SHOULD BE ASSEMBLED BY 2 OR MORE PEOPLE
-EXTRA HARDWARE INCLUDED



NAME: BIG DRAWER SIDE(LEFT)
CODE: 107
QTY: 2Pcs



NAME: BIG DRAWER BACK
CODE: 108
QTY: 2Pcs



NAME: BIG DRAWER SIDE(RIGHT)
CODE: 109
QTY: 2Pcs

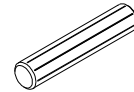
HARDWARE LIST



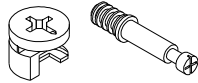
NAME: CHIPBOARD SCREW M3X16mm
CODE: A
QTY: 36Pcs



NAME: CHIPBOARD SCREW M4X38mm
CODE: B
QTY: 4Pcs



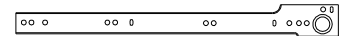
NAME: WOOD DOWEL M8X35mm
CODE: C
QTY: 12Pcs



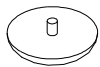
NAME: CAM LOCK & CAM BOLT
CODE: D
QTY: 20Sets



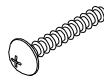
NAME: WOOD DOWEL M6X30mm
CODE: E
QTY: 20Pcs



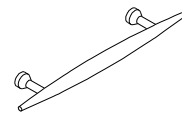
NAME: RUNNER 350mm
CODE: F
QTY: 3Sets



NAME: CAM LOCK COVER
CODE: G
QTY: 20Pcs



NAME: PANHEAD SCREW M4X22mm
CODE: H
QTY: 6Pcs



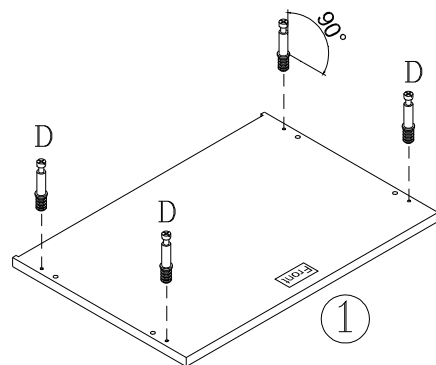
NAME: HANDLE
CODE: I
QTY: 3Pcs



NAME: PANHEAD CHIPBOARD SCREW M4X16mm(BLACK)
CODE: J
QTY: 14Pcs

STEP 1

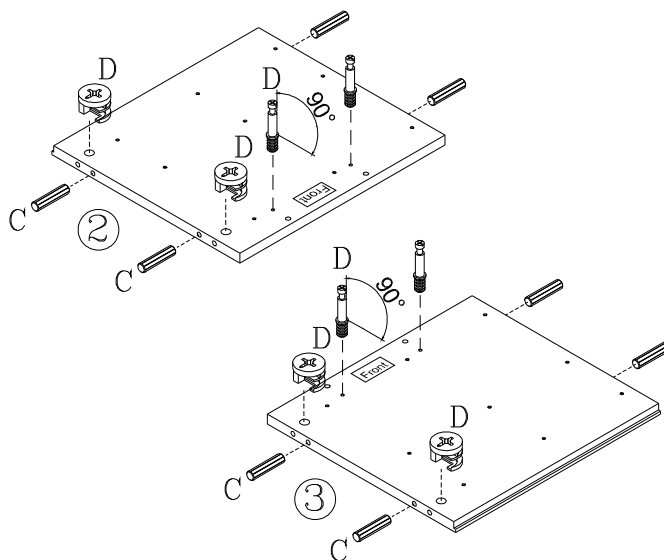
- A) Insert & secure Cam Bolt(D) to Top Panel(1)



STEP 2

- A) Insert Wood Dowel(C) to Left&Right Side Panel(2&3)
- B) Attach Cam Lock(D) to Left&Right Side Panel(2&3)
- C) Insert & secure Cam Bolt(D) to Left&Right Side Panel(2&3)

Note : Make sure arrows on each Cam Lock point towards nearest edge with holes



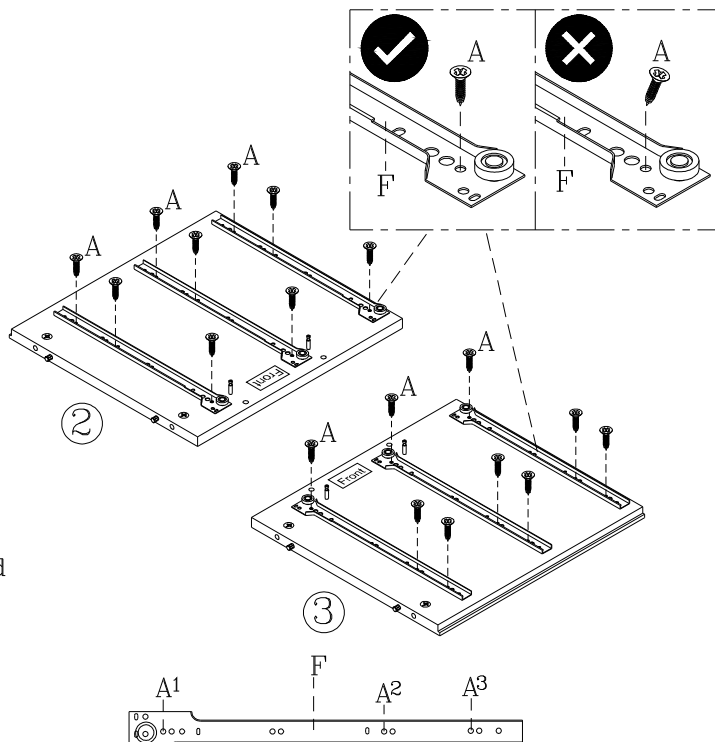
STEP 3

- A) Attach Runner(F) to Left&Right Side Panel(2&3) using Chipboard Screw(A) to secure

NOTE : Runner roller should be toward the front of the panel

NOTE : Chipboard Screw(A) should be assembled from the front of the runner. Start from A¹, A² then A³

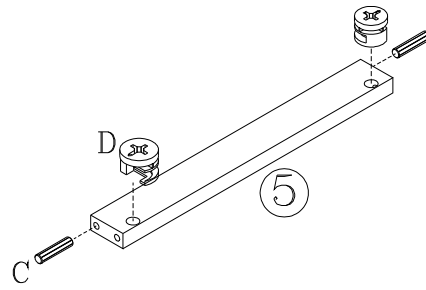
NOTE : Make sure the screws are installed vertically without slant to ensure screw sits properly in the hole



STEP 4

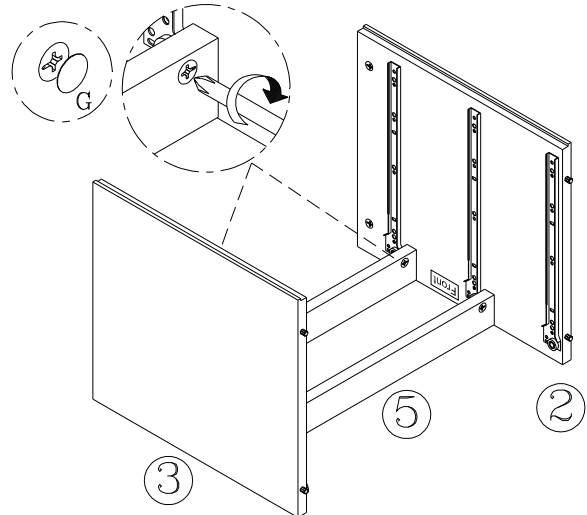
- A) Insert Wood Dowel(C) to both Center Bar(5)
- B) Attach Cam Lock(D) to both Center Bar(5)

Note: Make sure arrows on each Cam Lock point towards nearest edge with holes



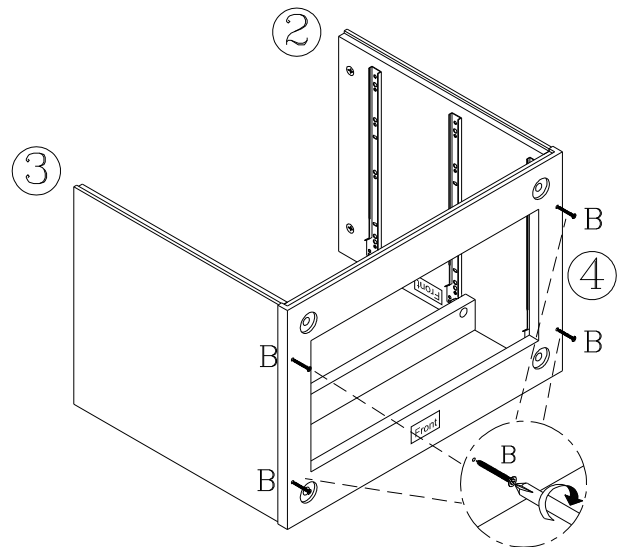
STEP 5

- A) Attach Center Bar(5) to Left&Right Side Panel(2&3) secure with Cam Lock(D)
- B) Cover Cam Lock(D) with Cam Lock Cover(G)



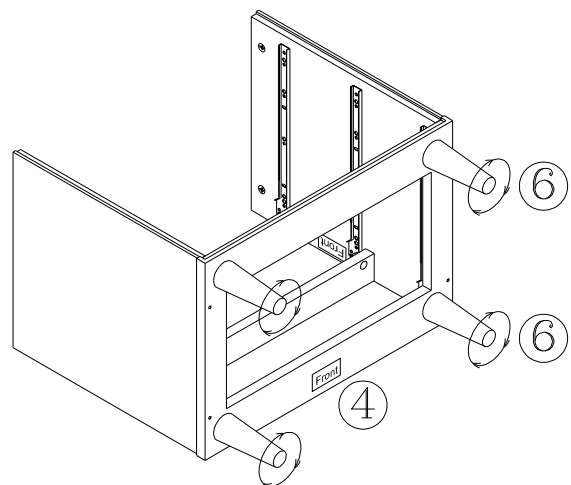
STEP 6

- A) Attach Bottom Frame(4) to underneath of Side Panel Left&Right(2&3) and secure with Chipboard Screw(B)



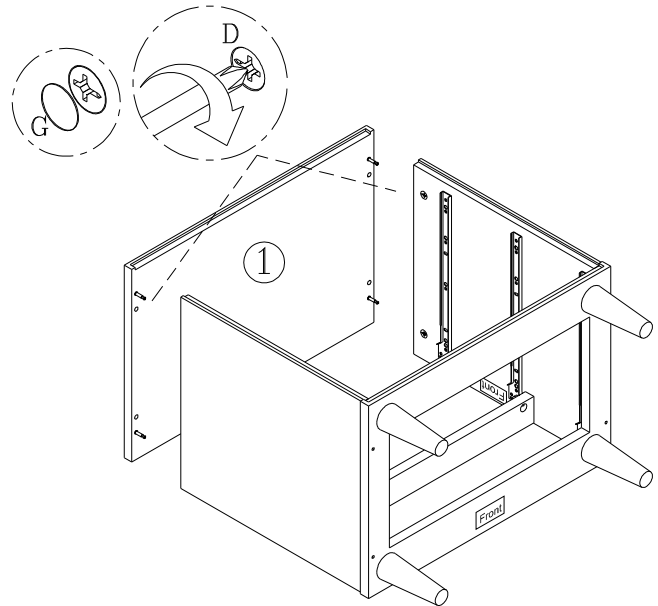
STEP 7

- A) Attach and secure Leg(6) to Bottom Frame(4) clockwise

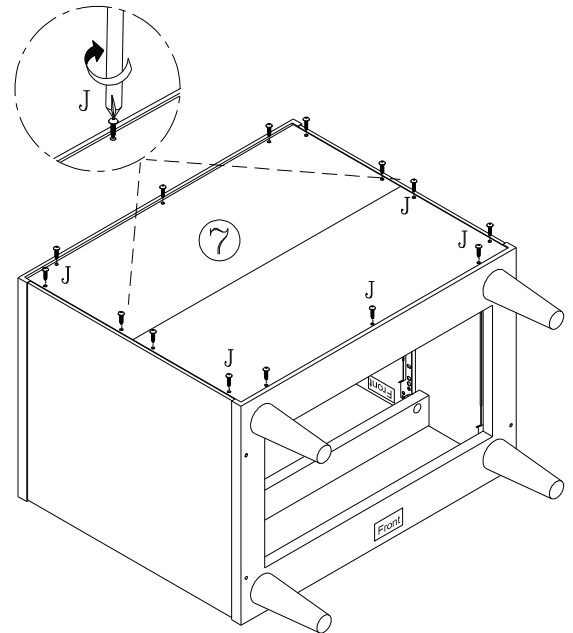


STEP 8

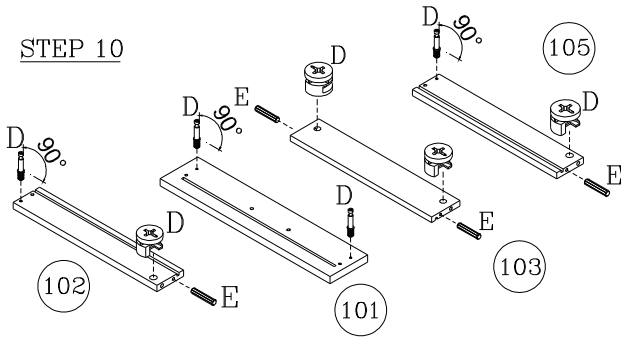
- A) Attach Top Panel(1) to Left&Right Side Panel(2&3) secure with Cam Lock(D)
- B) Cover Cam Lock(D) with Cam Lock Cover(G)

STEP 9

- A) Attach Back Plywood(7) to assembled unit using Panhead Chipboard Screw(Black)(J) to secure

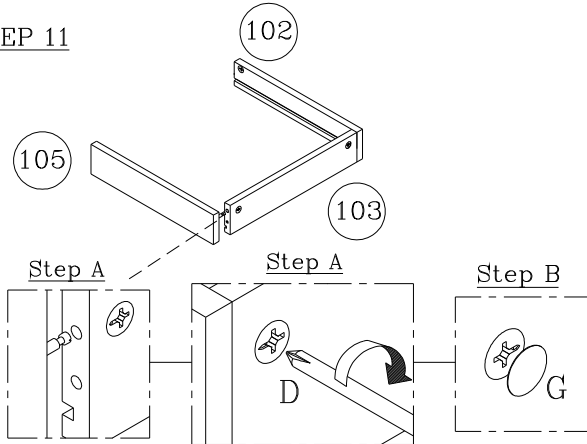


STEP 10



- A) Insert Wood Dowel(E) to Left&Right Drawer Side(102&105) & Drawer Back(103)
- B) Attach Cam Lock(D) to Left&Right Drawer Side(102&105) & Drawer Back(103)
- C) Attach Cam Bolt(D) to Drawer Front(101) & Left&Right Drawer Side(102&105)

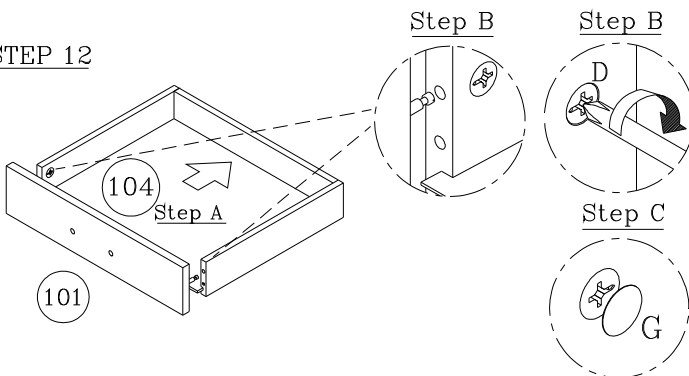
STEP 11



- A) Attach Left&Right Drawer Side(102&105) to Drawer Back(103) secure with Cam Lock(D)
- B) Using Cam Lock Cover(G) to cover Cam Lock(D)

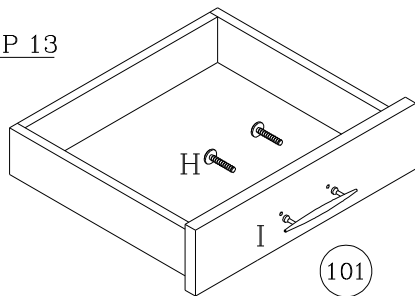
NOTE : Make sure arrows on each Cam Lock point towards nearest edge with holes

STEP 12



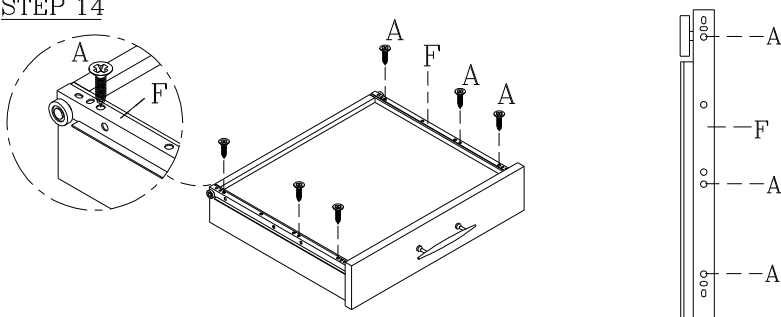
- A) Slot in Drawer Base(104) in corresponding grooves
- B) Attach Drawer Front(101) to Drawer Box secure with Cam Lock(D)
- C) Using Cam Lock Cover(G) to Cover Cam Lock(D)

STEP 13



- A) Attach Handle(I) to Drawer Front(101) secure using Panhead Screw(H)

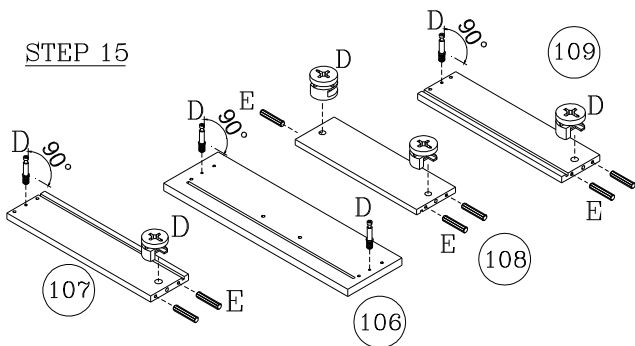
STEP 14



- A) Turn over the Drawer box, Attach Runner(F) to Drawer Side(102&105) using Chipboard Screw(A) to secure

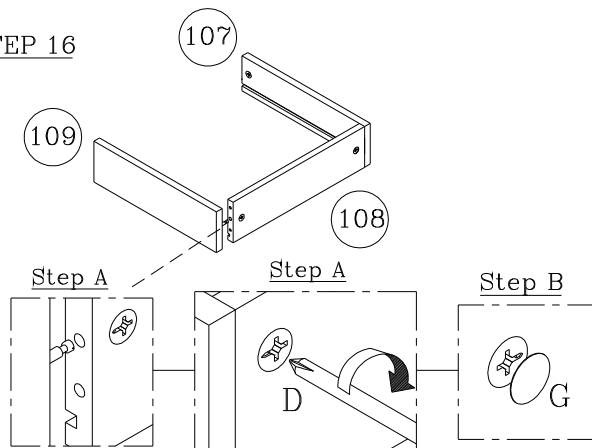
NOTE: Runner roller should be flush and toward the back of the Drawer Box

STEP 15



- A) Insert Wood Dowel(E) to Left&Right Drawer Side(107&109) & Drawer Back(108)
- B) Attach Cam Lock(D) to Left&Right Drawer Side(107&109) & Drawer Back(108)
- C) Attach Cam Bolt(D) to Drawer Front(106) & Left&Right Drawer Side(107&109)

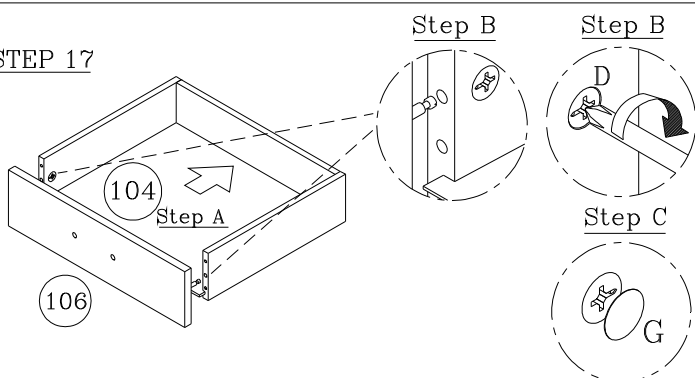
STEP 16



- A) Attach Left&Right Drawer Side(107&109) to Drawer Back(108) secure with Cam Lock(D)
- B) Using Cam Lock Cover(G) to cover Cam Lock(D)

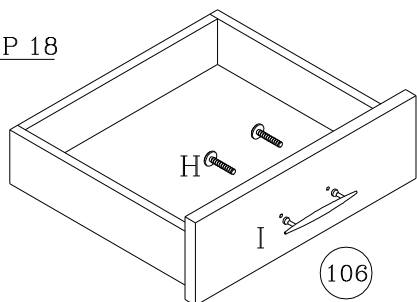
NOTE : Make sure arrows on each Cam Lock point towards nearest edge with holes

STEP 17



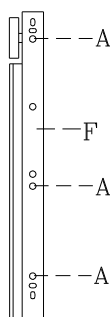
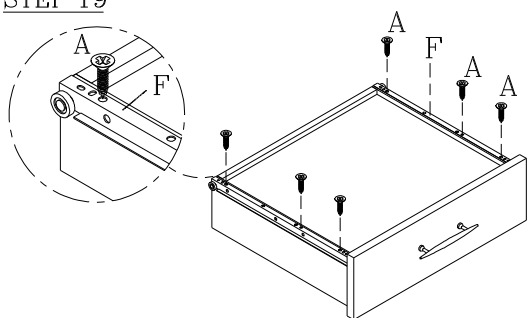
- A) Slot in Drawer Base(104) in corresponding grooves
- B) Attach Drawer Front(106) to Drawer Box secure with Cam Lock(D)
- C) Using Cam Lock Cover(G) to Cover Cam Lock(D)

STEP 18



- A) Attach Handle(I) to Drawer Front(106) secure using Panhead Screw(H)

STEP 19



- A) Turn over the Drawer box, Attach Runner(F) to Drawer Side(107&109) using Chipboard Screw(A) to secure

NOTE: Runner roller should be flush and toward the back of the Drawer Box