
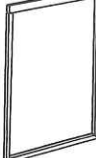


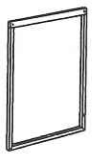
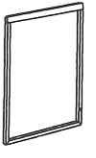
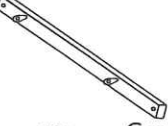
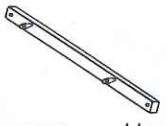









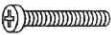


|  |  |  |  |   |  |
|--|--|--|--|---|--|
| <br>450x275mm A x 1 | <br>450x275mm B x 1 | <br>400x275mm C x 1 | <br>400x275mm D x 1 | <br>350x275mm E x 1 | <br>350x275mm F x 1 |
| <br>424mm G x 2      | <br>374mm H x 2     | <br>324mm I x 2     | <br>J x 1           | <br>K x 1           | <br>L x 1           |
| <br>M x 1            | <br>N x 1           | <br>O x 1           | <br>P x 12          | <br>Q x 24          | <br>R x 6           |

