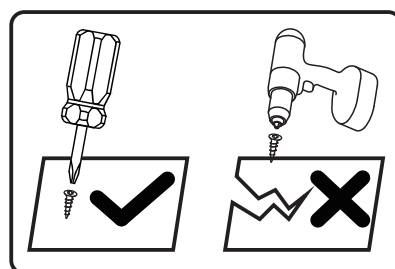
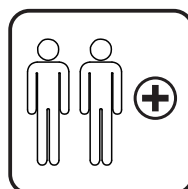
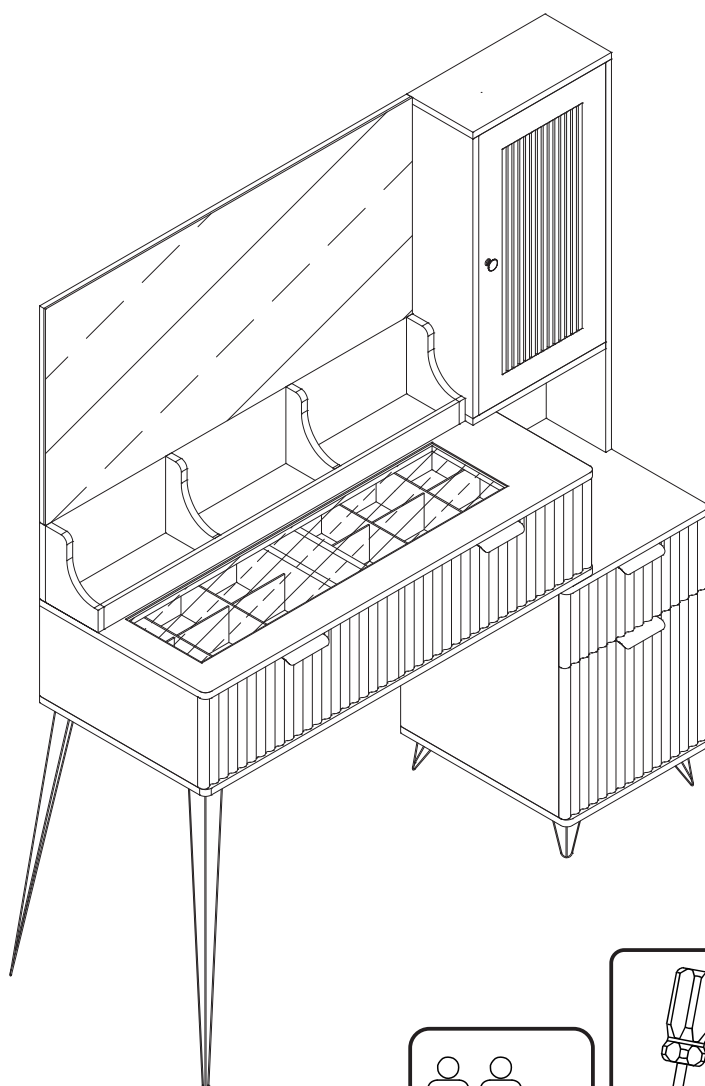


# ASSEMBLY INSTRUCTIONS



## Tools Recommended

THIS INSTRUCTIONS CONTAINS IMPORTANT SAFETY INFORMATION.  
PLEASE READ BEFORE ASSEMBLY AND KEEP FOR FUTURE REFERENCE.

# IMPORTANT NOTICE

-This product contains small components, please ensure that they are kept away from small children.

-THIS INSTRUCTIONS CONTAINS IMPORTANT SAFETY INFORMATION.  
PLEASE READ BEFORE ASSEMBLY AND KEEP FOR FUTURE REFERENCE.

-Read each step carefully. It is very important that each step of instruction is performed in the correct order. If these steps are not followed in sequence, assembly difficulties will occur.

-Make sure all parts are included. Most parts are labelled or stamped on the raw edge.

-Work in spacious area, preferably on a carpet, near the place the unit will be used.

-Do not use power tools to assemble your furniture. Power tools may strip or damage the parts.

-Move your new furniture carefully, with two people lift and carry the unit to it's new location.

-Never push, drag or pull your furniture (especially on carpet)



## PLEASE DO NOT RETURN PRODUCT TO US IMMEDIATELY

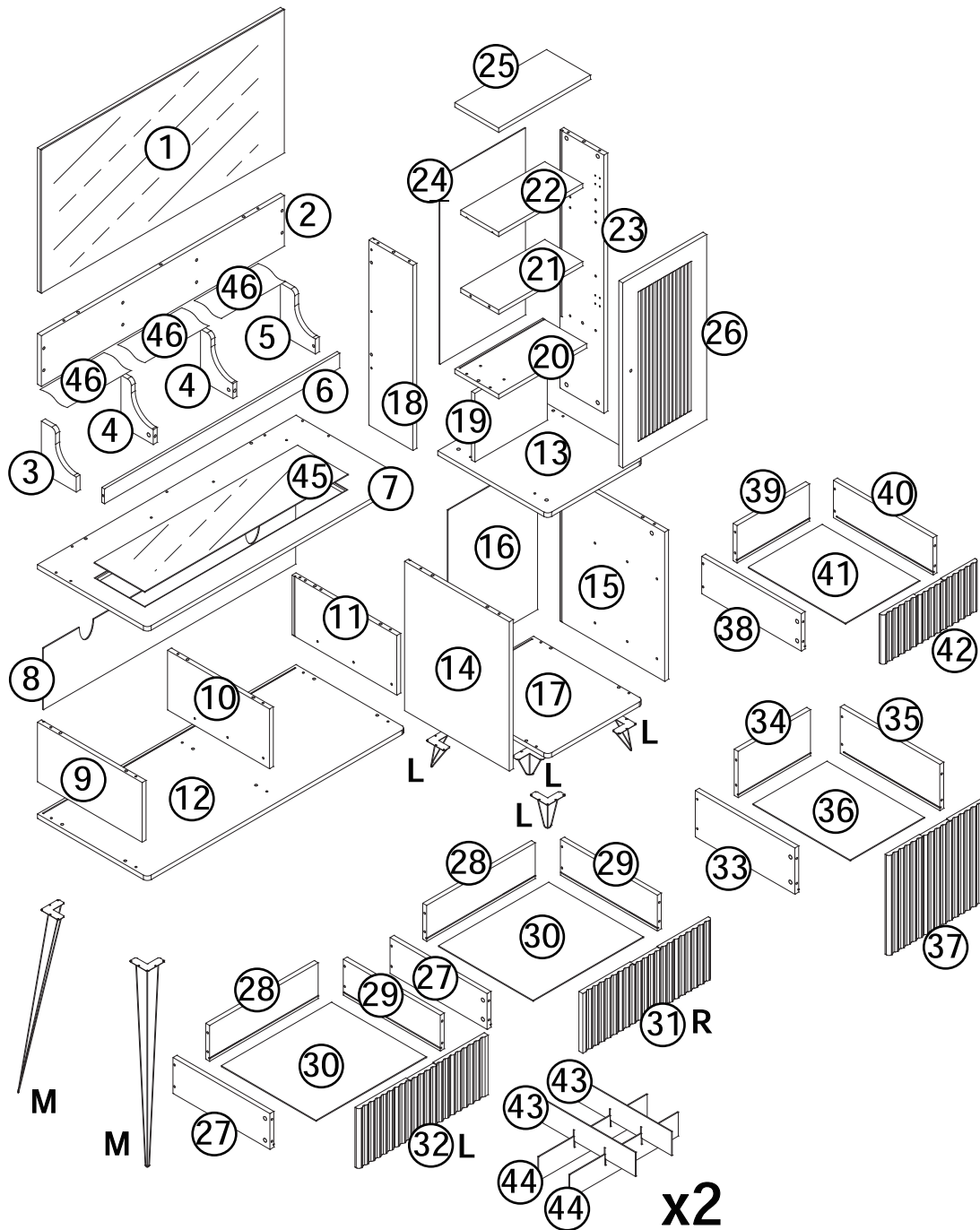
If a part is missing or damaged, email our customer service.  
We will gladly ship your replacement parts FREE of charge.





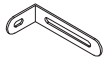

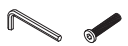




















Need Parts or Assistance? Email us

For Prompt, reliable service, please have your assemble instruction ready

 <b>WARNING</b>	
	<b>Children have died from furniture tipover. To reduce the risk of furniture tipover:</b> <ul style="list-style-type: none"><li>• ALWAYS install anti-tip device provided.</li><li>• NEVER put a TV on this product.</li><li>• NEVER allow children to stand, climb or hang on any drawers, doors, or shelves.</li><li>• NEVER open more than one drawer at a time.</li><li>• Place heaviest items in the lowest drawers.</li></ul>
	<p>This is a permanent label. Do not remove!</p>

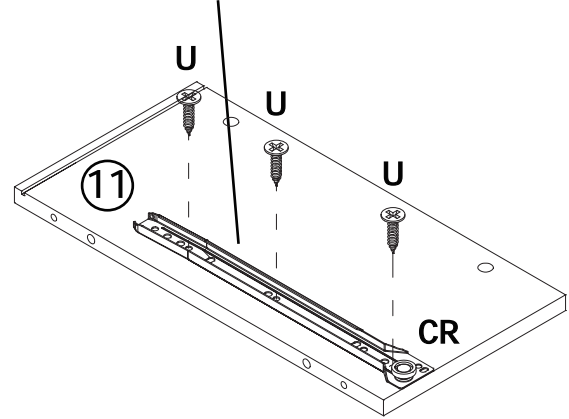
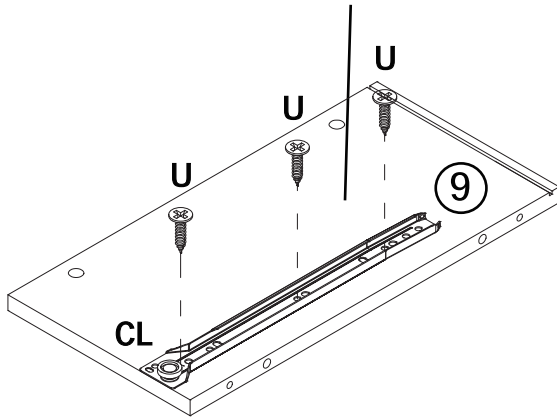
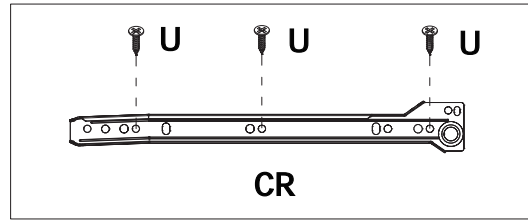
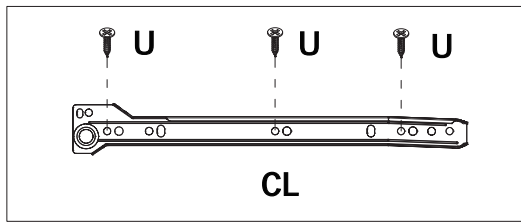
The installation direction should be aligned with the instructions to prevent plate breakage caused by product tipping during installation.



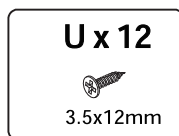
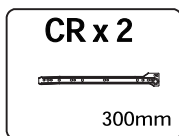
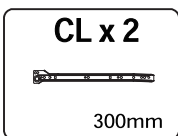
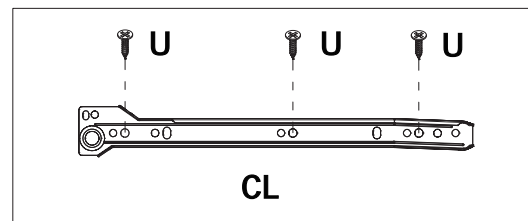
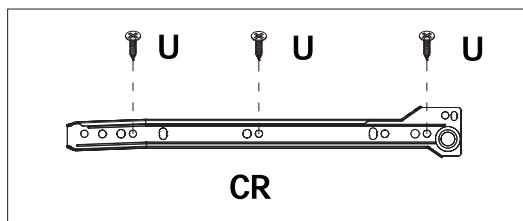
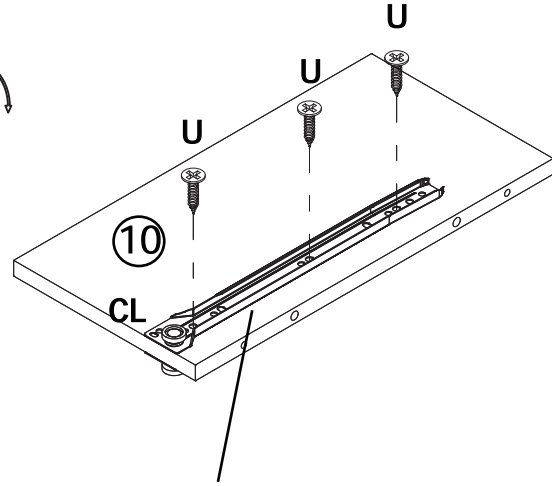
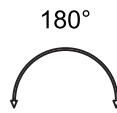
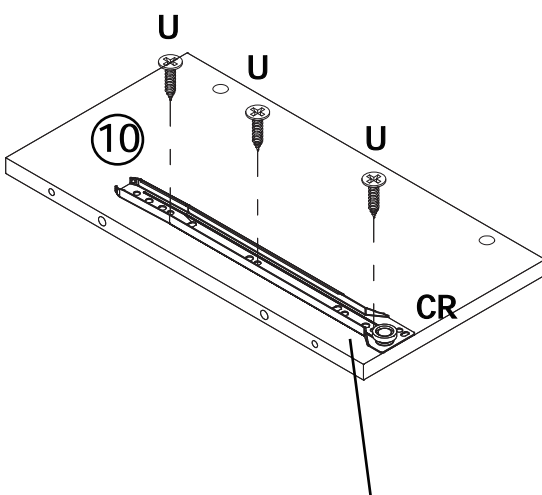
<b>A x 55</b>  6x35mm	<b>B x 55</b> 	<b>C x 31</b>  6x30mm	<b>D x 30</b>  4x40mm	<b>E x 2</b> 	<b>F x 32</b>  4x12mm	<b>G x 2</b>  6x20mm
<b>H x 1</b>  4x18mm	<b>I x 1</b> 	<b>J x 2</b> 	<b>K x 12</b>  4x12mm	<b>L x 4</b> 	<b>M x 2</b> 	<b>N x 4</b> 
<b>O x 4</b>  3.5x12mm	<b>P x 1</b> 	<b>Q x 12</b> 	<b>R x 12</b>  3x14mm	<b>S x 2</b> 	<b>T x 16</b>  4x30mm	<b>U x 49</b>  3.5x12mm
<b>DL x 4</b>  300mm	<b>DR x 4</b>  300mm	<b>CL x 4</b>  300mm	<b>CR x 4</b>  300mm	<b>V x 2</b>  6x15mm	<b>W x 1</b> 	

# Step 1

Place the parts # ⑨ & ⑪ flat. Fasten guide rails CL & CR to parts # ⑨ & ⑪ with screws (U). (positions as shown)

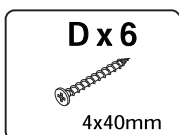
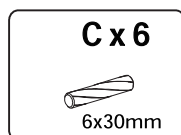
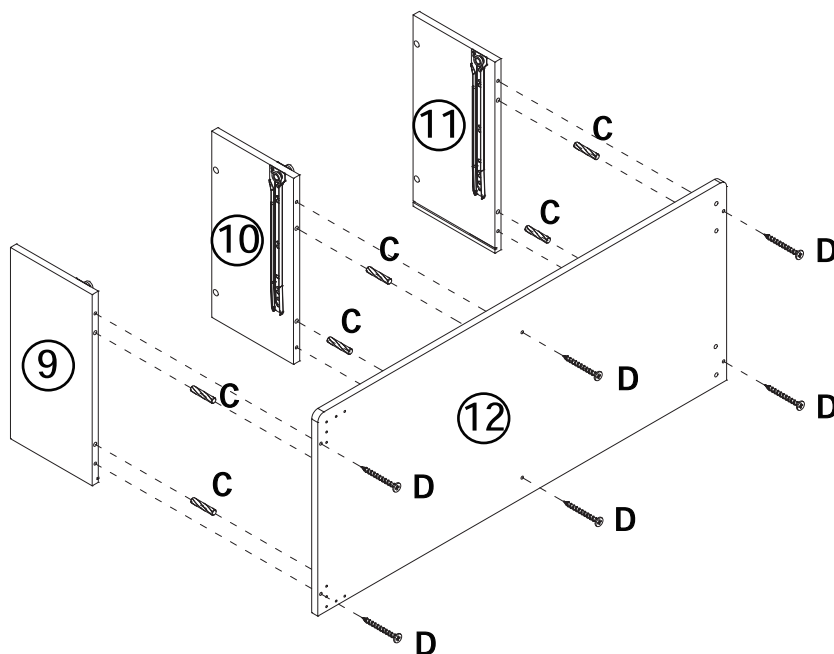


Place the part # ⑩ flat. Fasten guide rail (CR) to part # ⑩ with screws (U). Flip part # ⑩ over to the other side. Fasten guide rail (CL) to part # ⑩ with screws (U). (positions as shown)

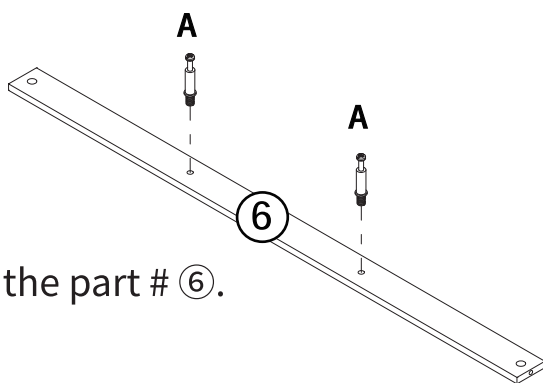


## Step 2

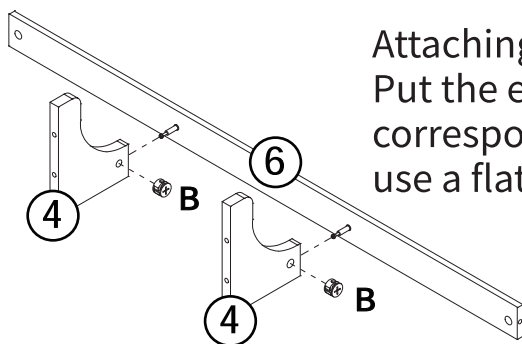
Insert wood pins (C) into parts # ⑨, ⑩ & ⑪. Fasten part # ⑫ to parts # ⑨, ⑩ & ⑪ with screws (D). (positions as shown)



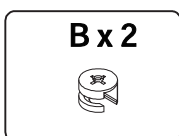
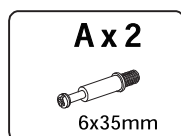
## Step 3



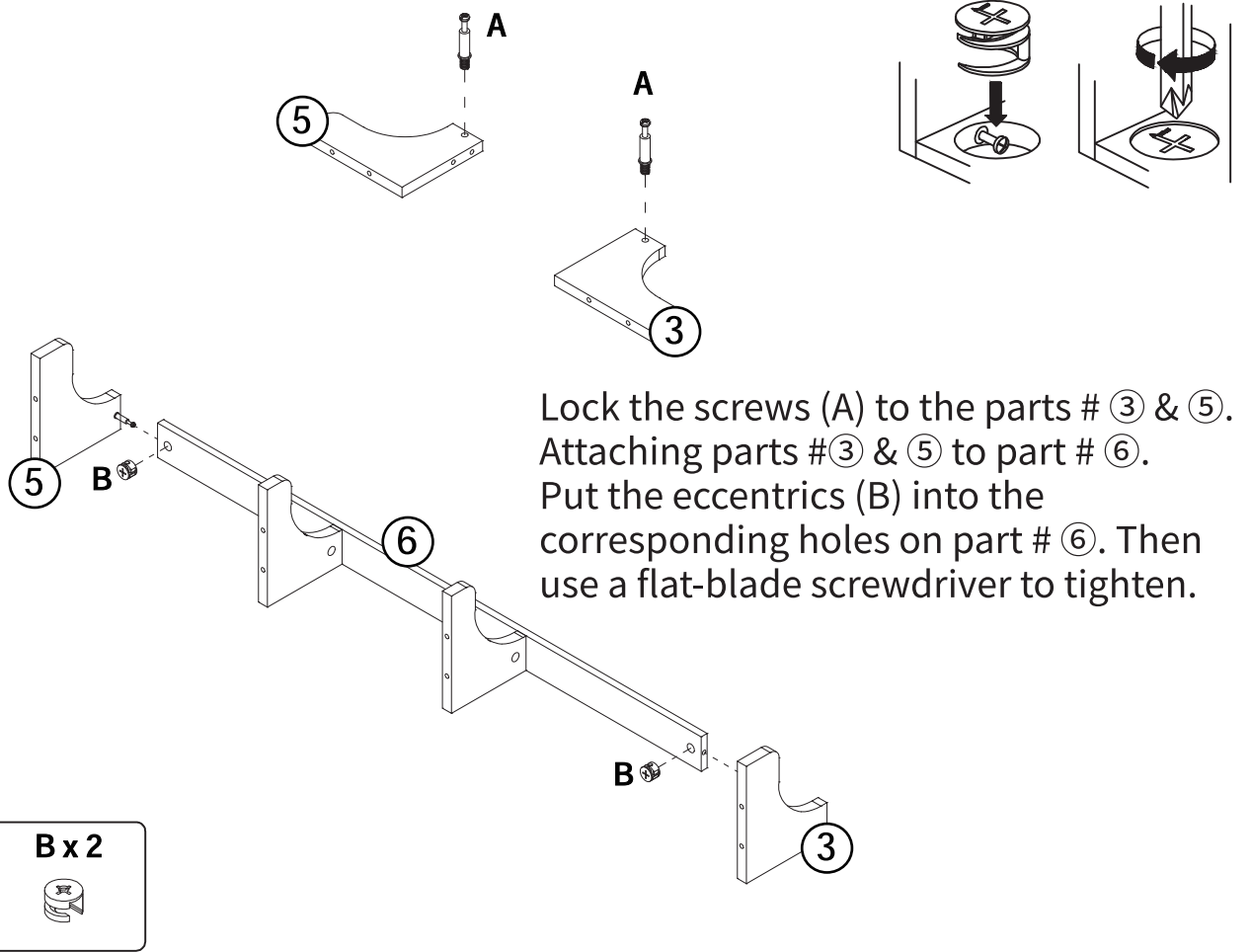
Lock the screws (A) to the part # ⑥.



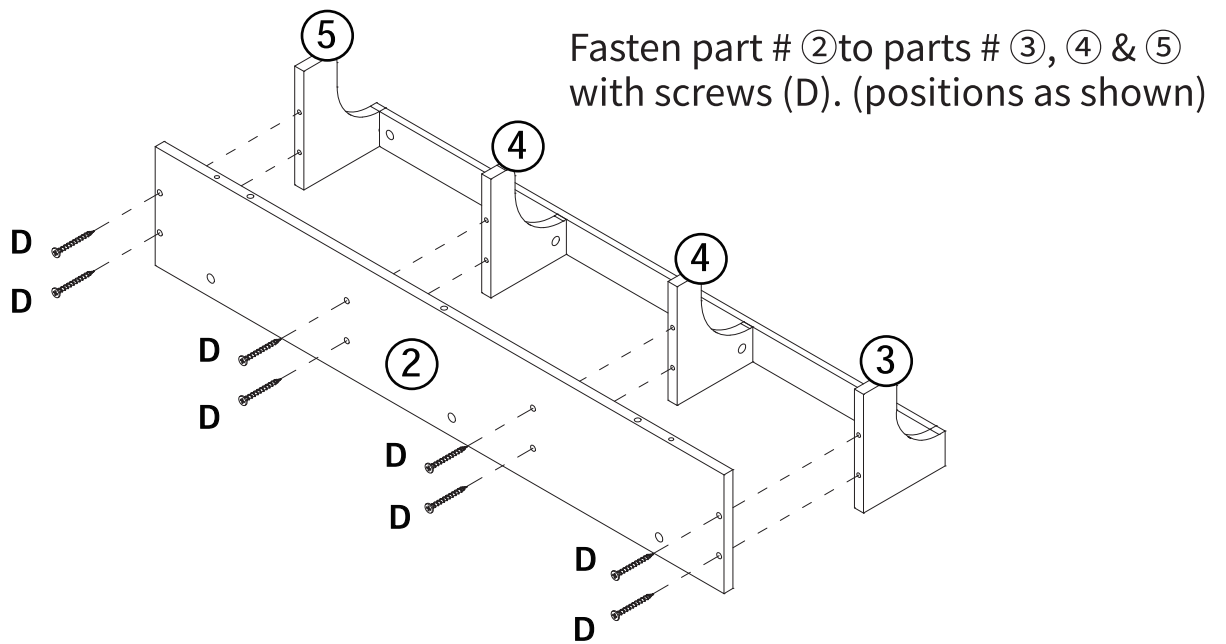
Attaching parts # ④ to parts # ⑥.  
Put the eccentrics (B) into the corresponding holes on parts # ④. Then use a flat-blade screwdriver to tighten.



# Step 4

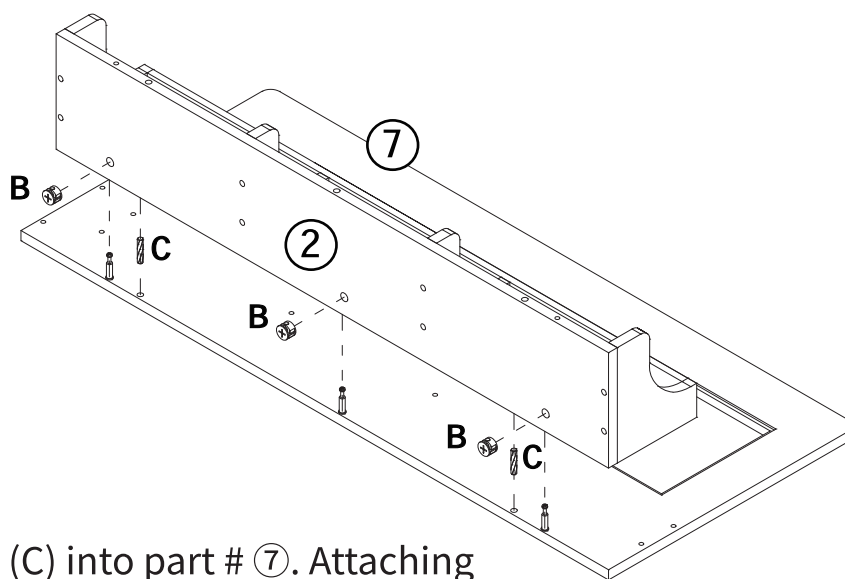
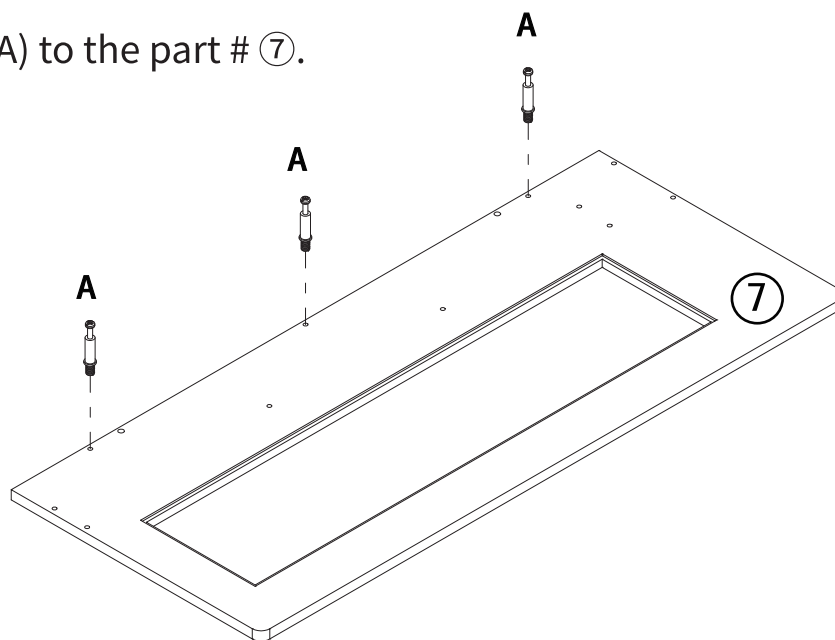


# Step 5



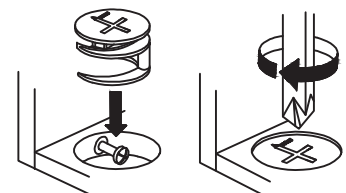
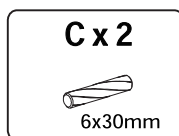
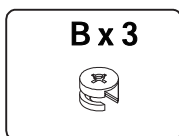
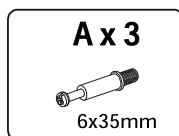
# Step 6

Lock the screws (A) to the part # ⑦.



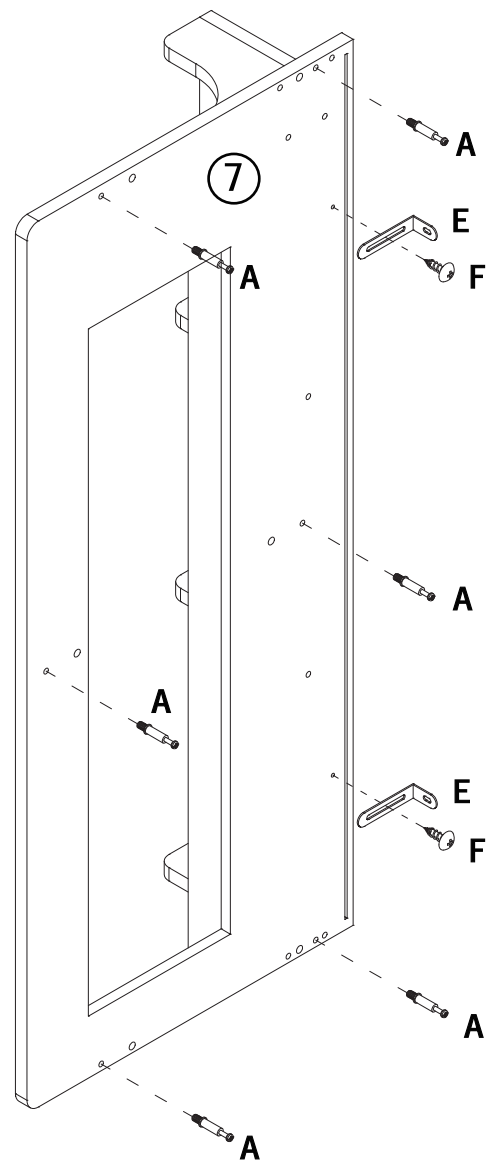
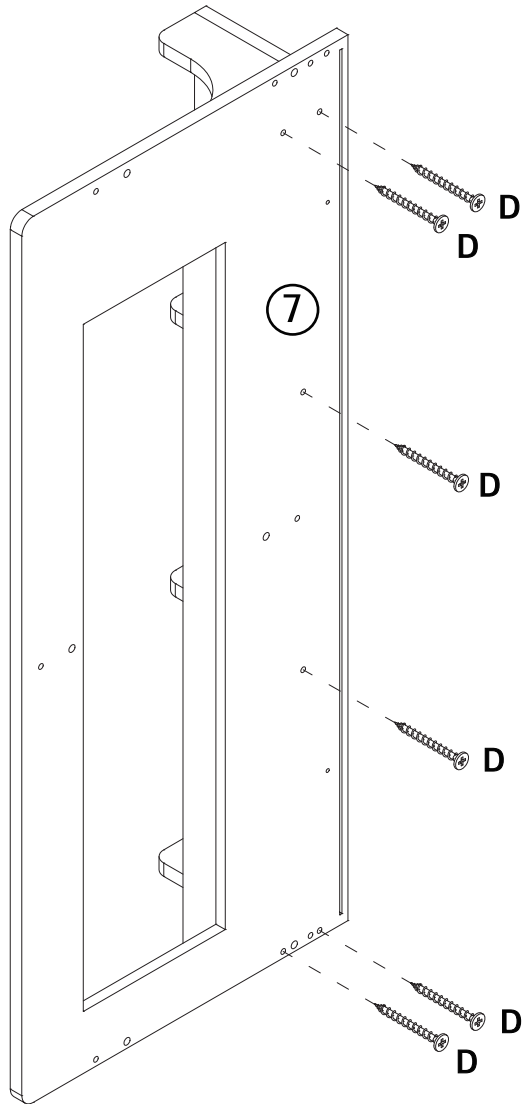
Insert wood pins (C) into part # ⑦. Attaching part # ② to part # ⑦.

Put the eccentrics (B) into the corresponding holes on part # ②. Then use a flat-blade screwdriver to tighten.

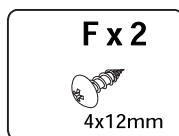
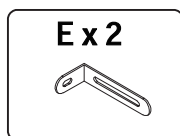
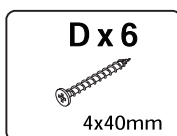
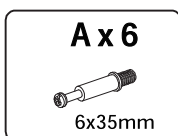


# Step 7

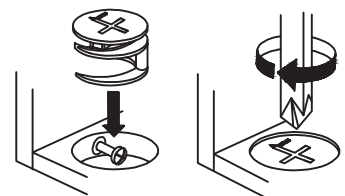
Install screws (D) for reinforcement on part # ⑦.



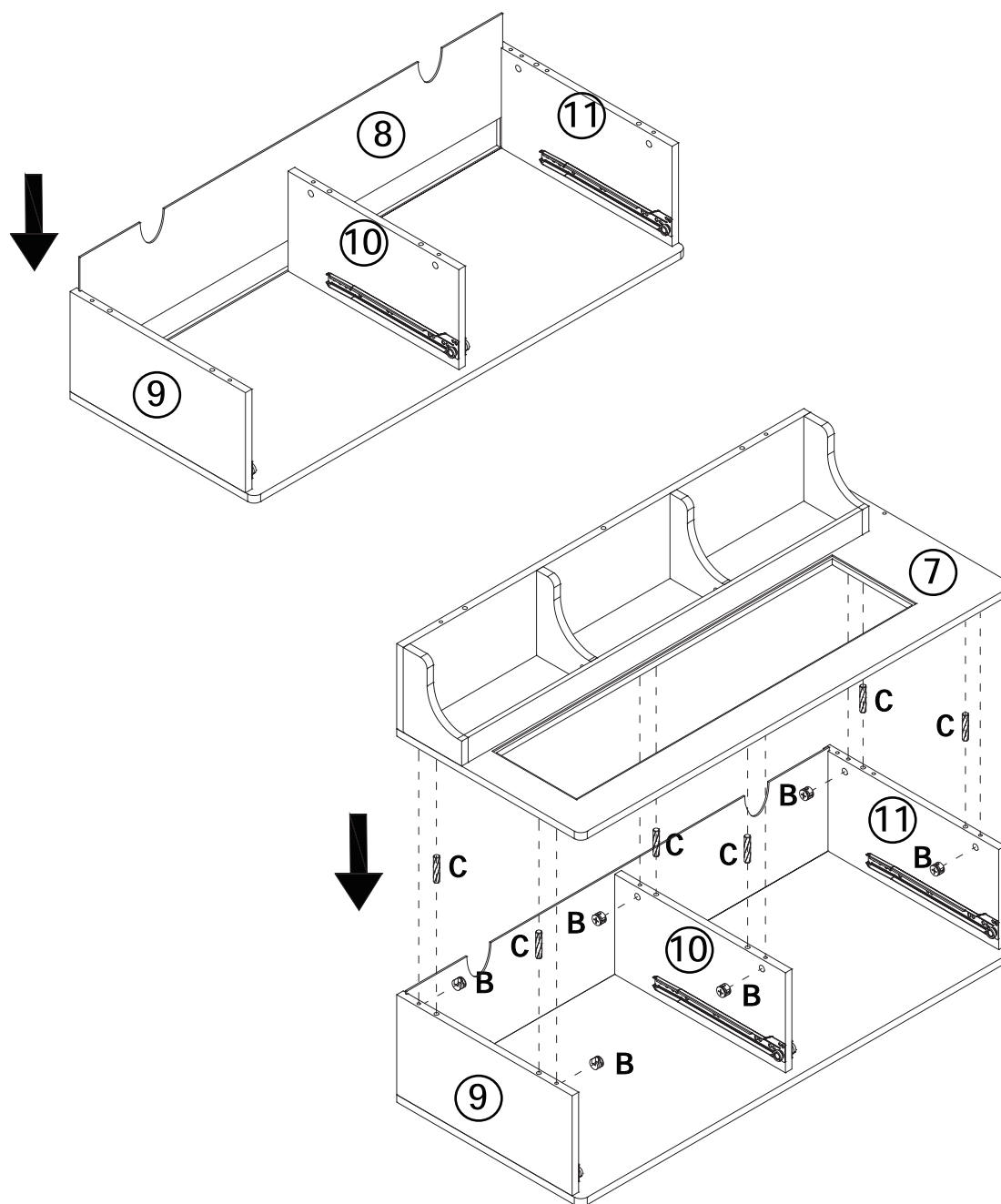
Lock the screws (A) to the part # ⑦.  
Fasten Anti-tipping devices (E) to part # ⑦  
with screws (F).



# Step 8



Place part # ⑧ into the slots of the parts # ⑨ & ⑪.



Insert wood pins (C) into parts # ⑨, ⑩ & ⑪.

Attaching part # ⑦ to parts # ⑨, ⑩ & ⑪.

Put the eccentrics (B) into the corresponding holes on parts # ⑨, ⑩ & ⑪. Then use a flat-blade screwdriver to tighten.

**B x 6**



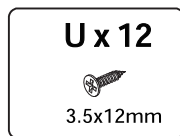
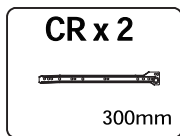
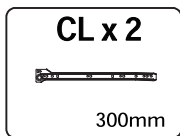
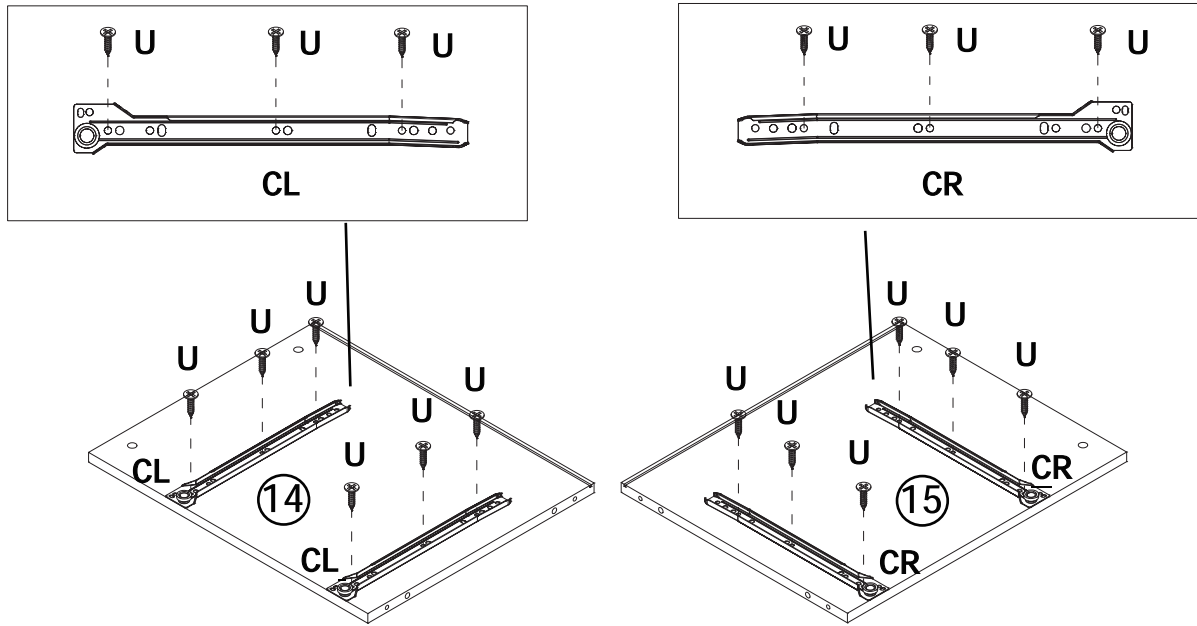
**C x 6**



6x30mm

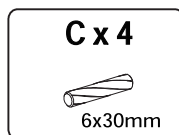
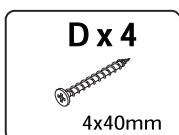
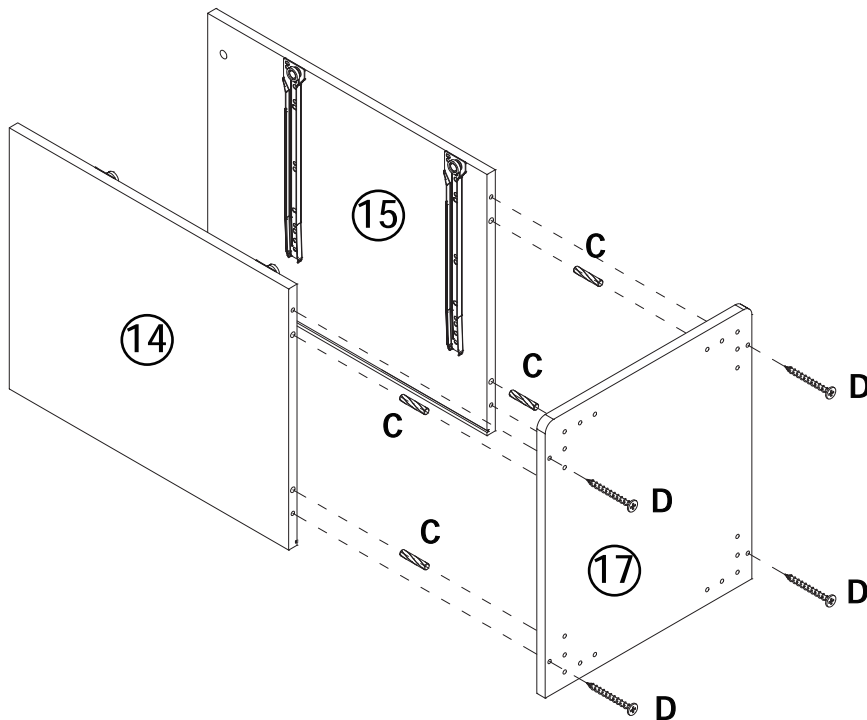
# Step 9

Place the parts # ⑭ & ⑮ flat. Fasten guide rails (CL) & (CR) to parts # ⑭ & ⑮ with screws (U). (positions as shown)



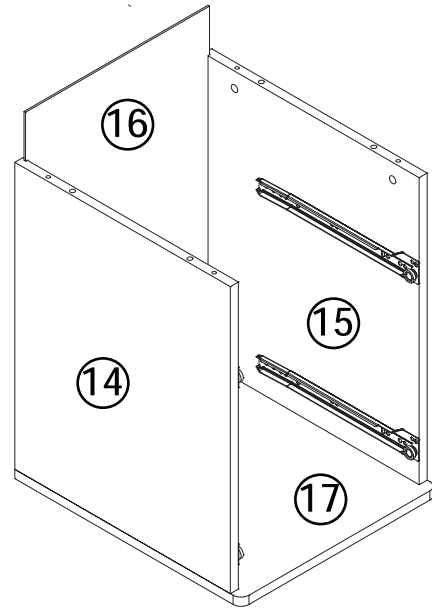
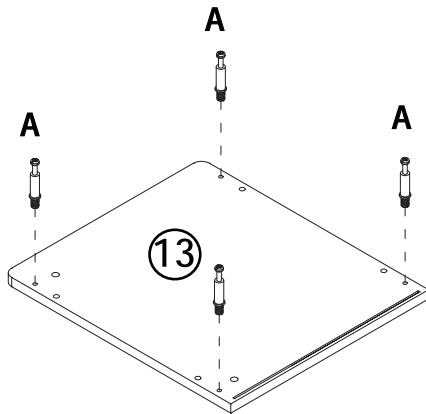
# tep 10

Insert wood pins (C) into parts # ⑭ & ⑮.  
Fasten part # ⑰ to parts # ⑭ & ⑮ with screws (D).

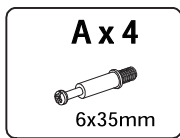


# Step 11

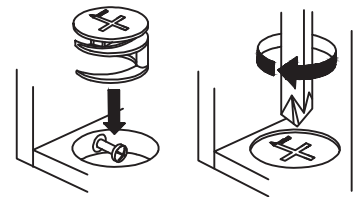
Place part # ⑯ into the slots of the parts # ⑭, ⑮ & ⑰



Lock the screws (A) to the part # ⑬



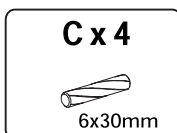
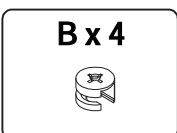
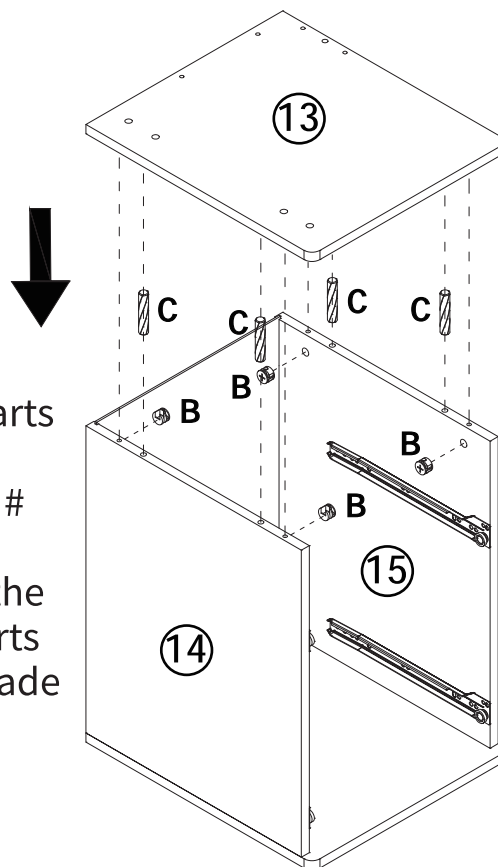
# Step 12



Insert wood pins (C) into parts # ⑭ & ⑮.

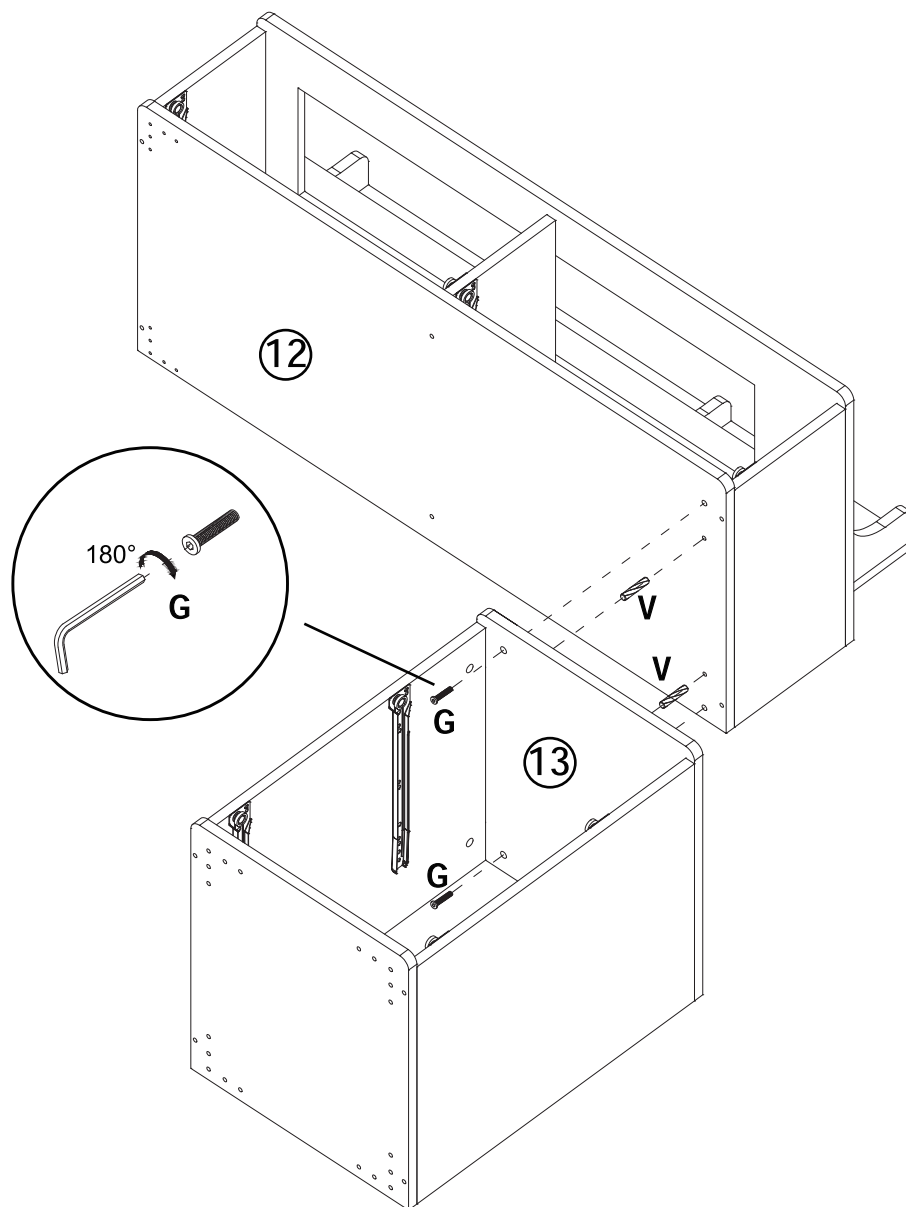
Attaching part # ⑬ to parts # ⑭ & ⑮

Put the eccentrics (B) into the corresponding holes on parts # ⑭ & ⑮. Then use a flat-blade screwdriver to tighten.

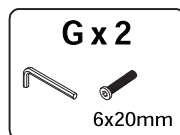
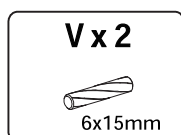


# Step 13

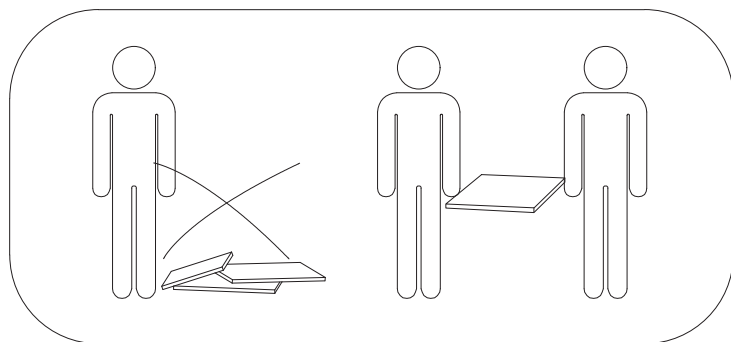
Put fittings (V) into the corresponding holes of the part # ⑫.  
Put screws (G) into the corresponding holes of the part # ⑬, then use Hex Key Allen Wrench (G) to tighten.



The installation direction should be aligned with the instructions to prevent plate breakage caused by product tipping during installation.

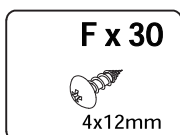
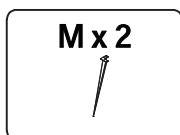
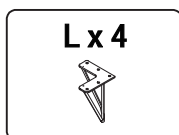
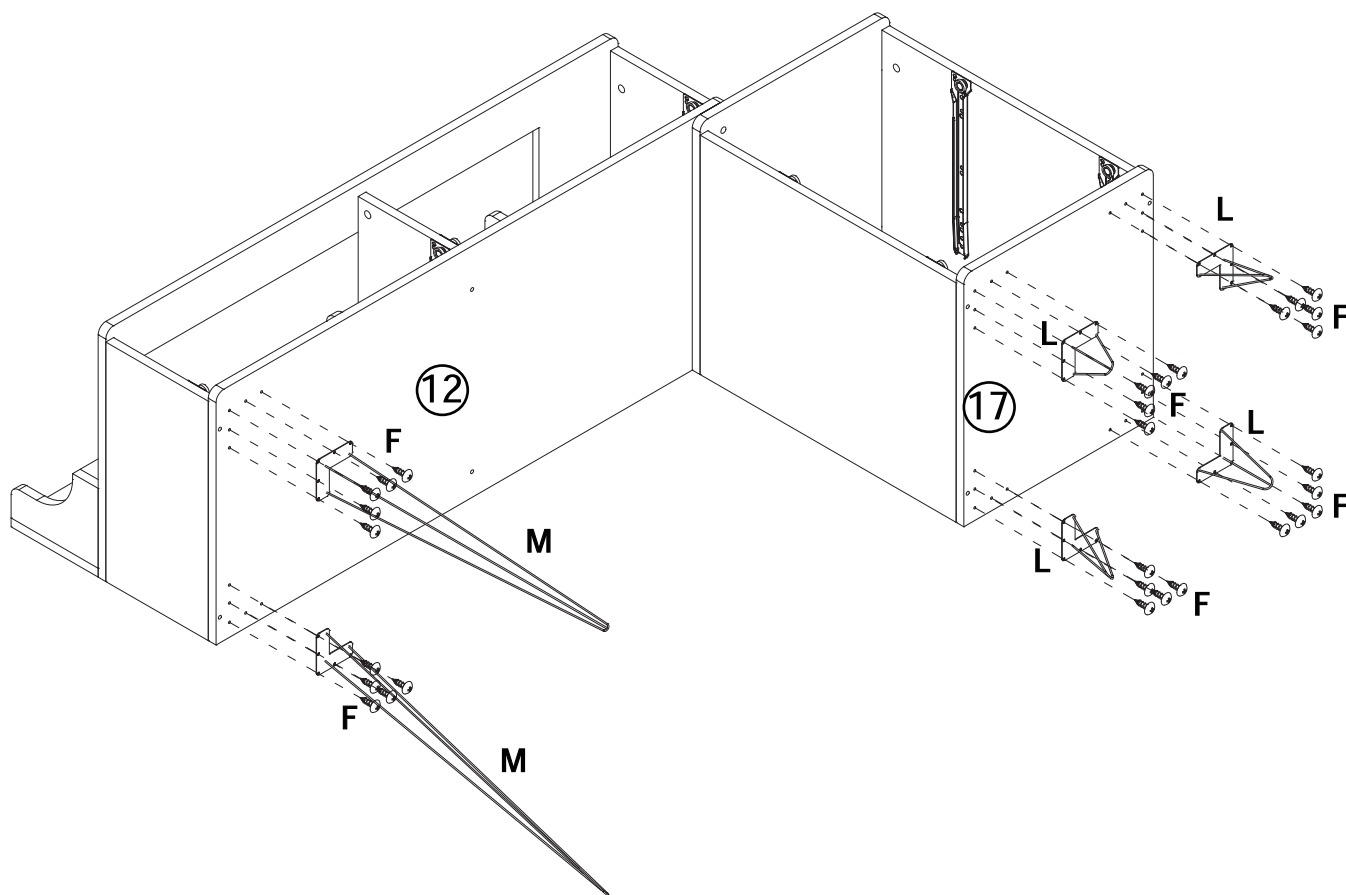


# Step 14



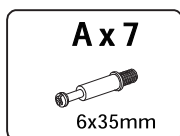
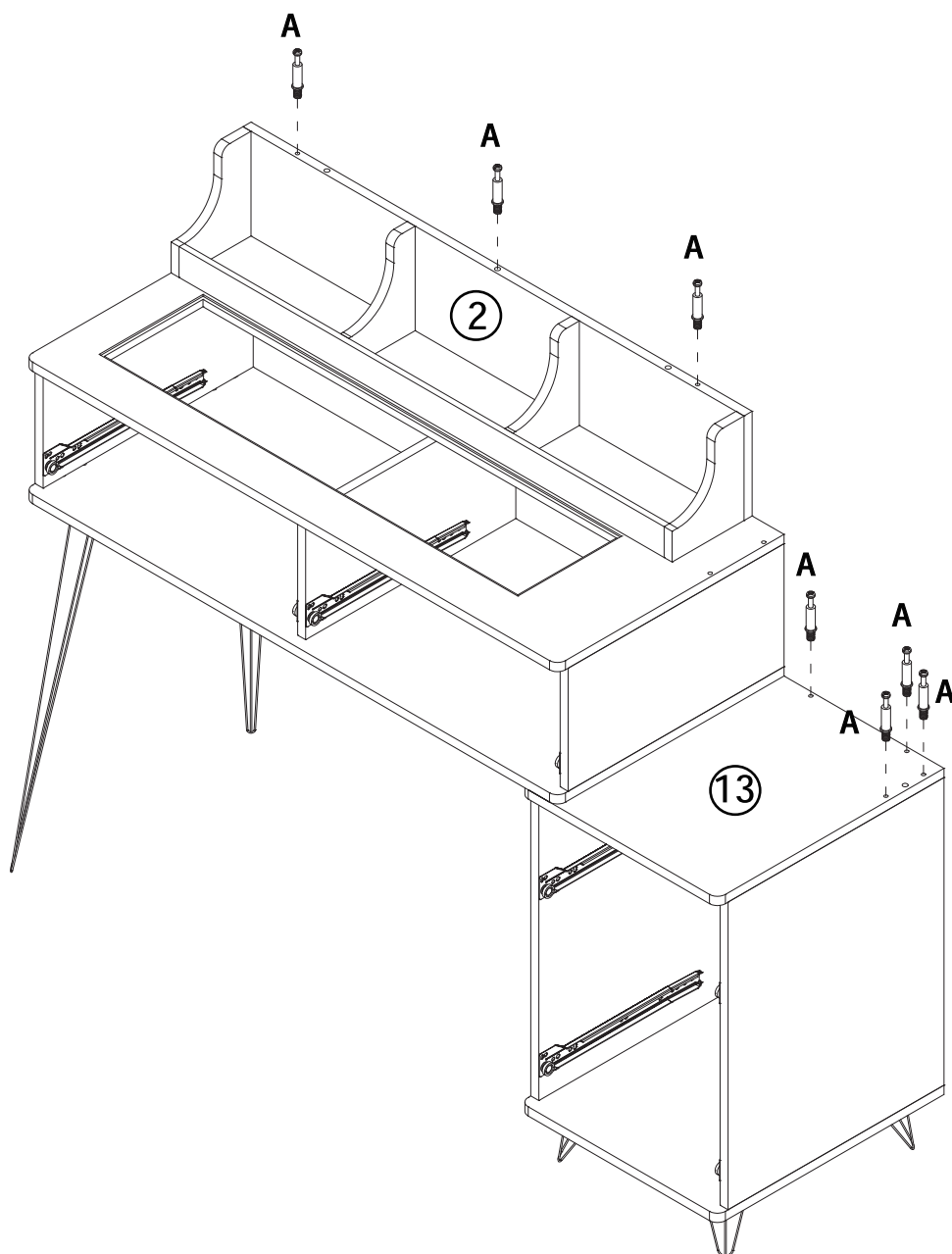
It is recommended to have two people to flip the cabinets and installation breakage is not a product quality issue.

Install legs(M) & (L) with screws (F).

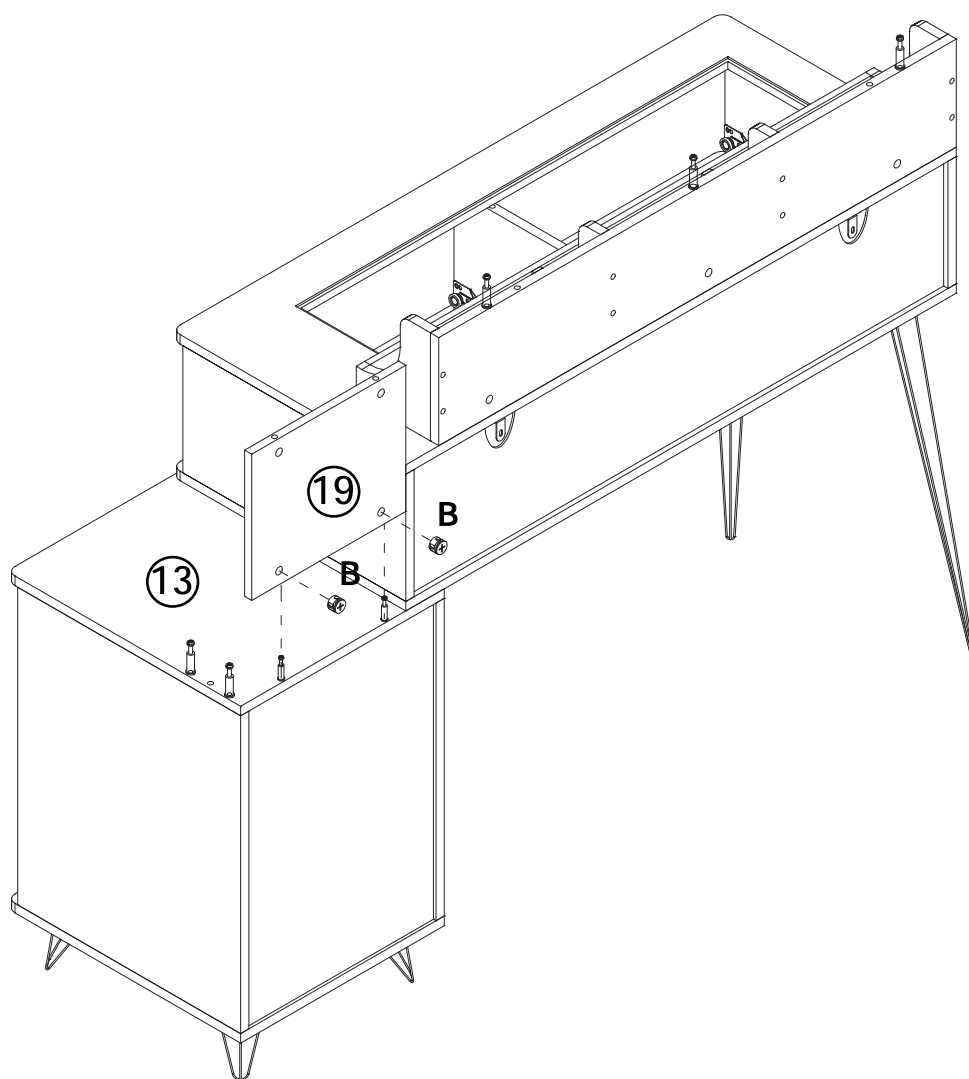


# Step 15

Lock the screws (A) to the parts # ② & ⑬.

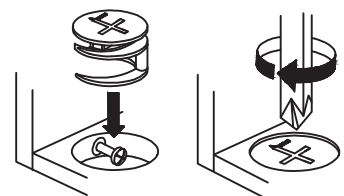


# Step 16



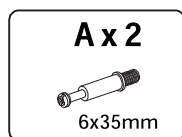
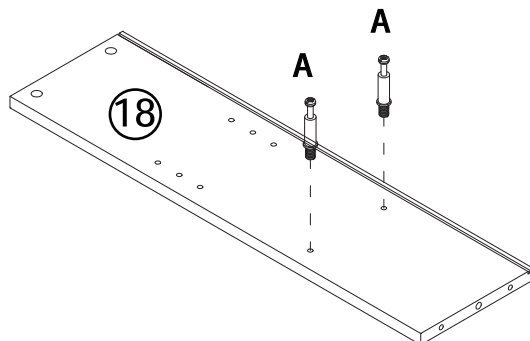
Attaching part # ⑱ to part # ⑬.  
Put the eccentrics (B) into the corresponding holes on part # ⑱.  
Then use a flat-blade screwdriver to tighten.

**B x 2**

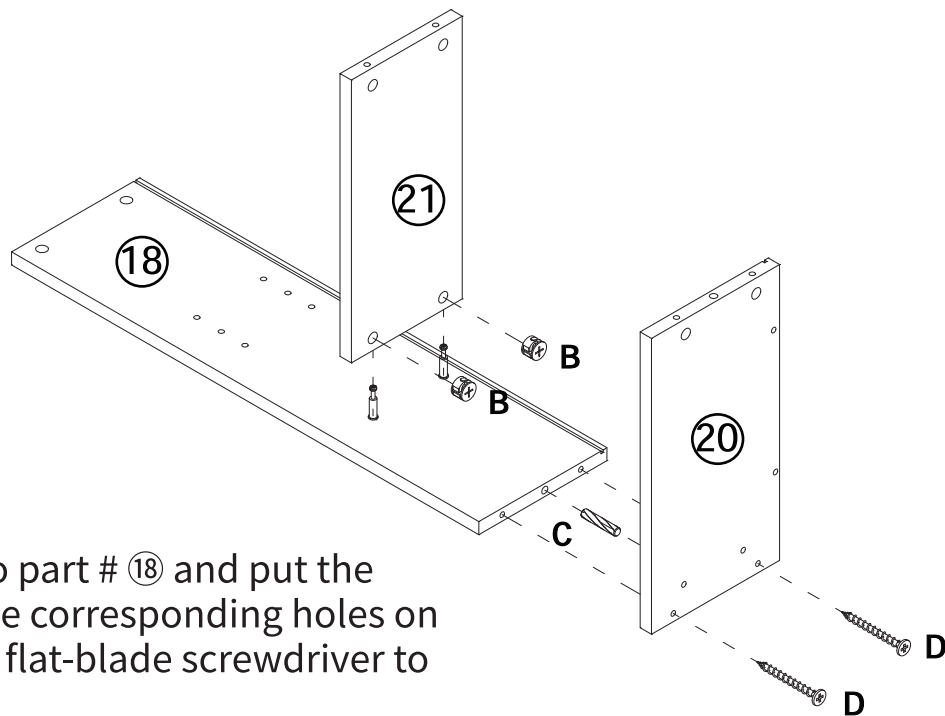


# Step 17

Lock the screws (A) to the part # ⑱.

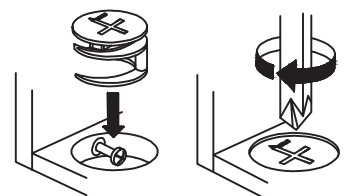
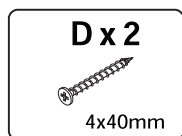
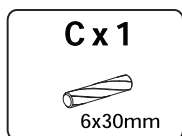
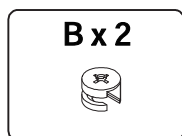


# Step 18



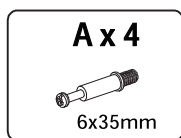
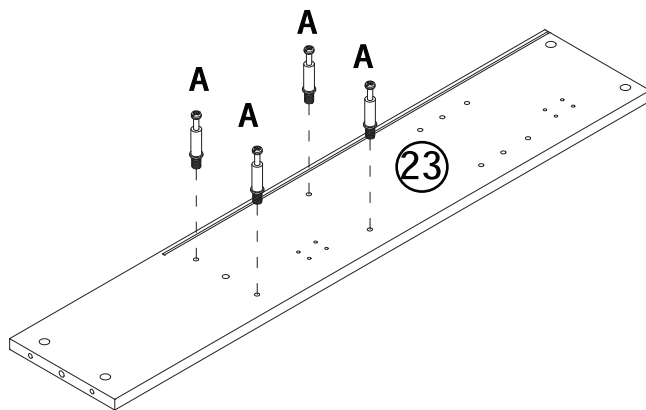
Attaching part # ㉑ to part # ⑱ and put the eccentrics (B) into the corresponding holes on part # ㉑. Then use a flat-blade screwdriver to tighten.

Insert wood pin (C) into part # ⑱, then Install screws (D) for reinforcement on part # ⑳.



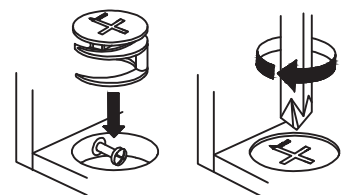
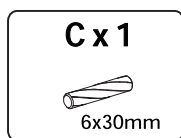
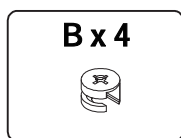
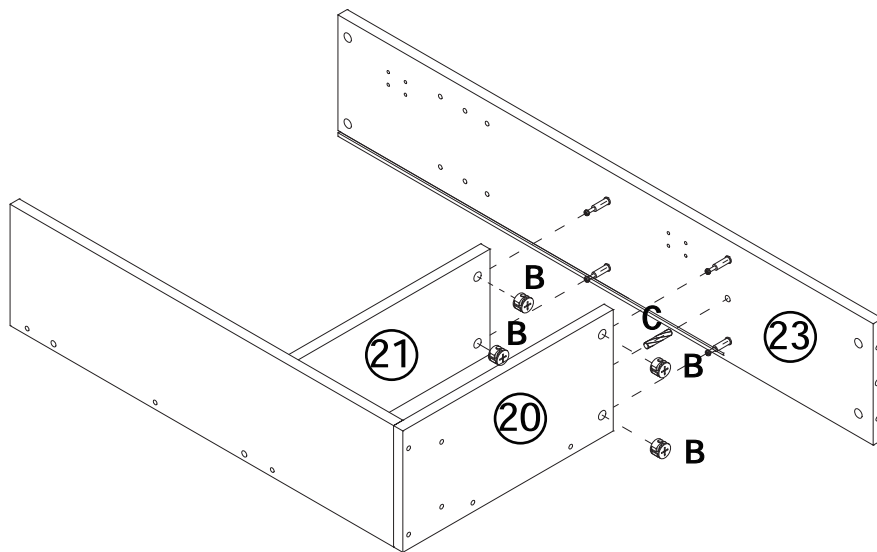
# Step 19

Lock the screws (A) to the part # ⑳.

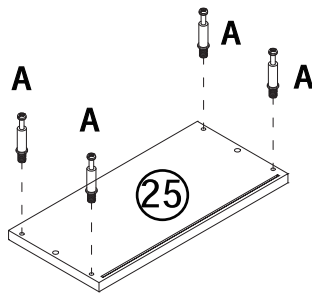


# Step 20

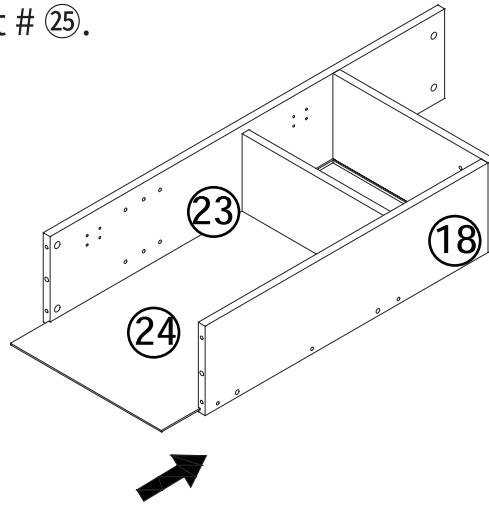
Insert wood pin (C) into part # ⑳.  
Attaching part # ⑳ to parts # ⑳ & ㉑.  
Put the eccentrics (B) into the corresponding holes on parts # ⑳ & ㉑. Then use a flat-blade screwdriver to tighten.



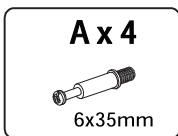
## Step 21



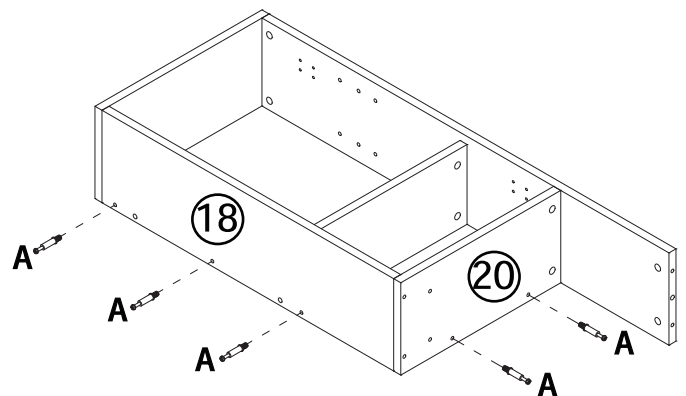
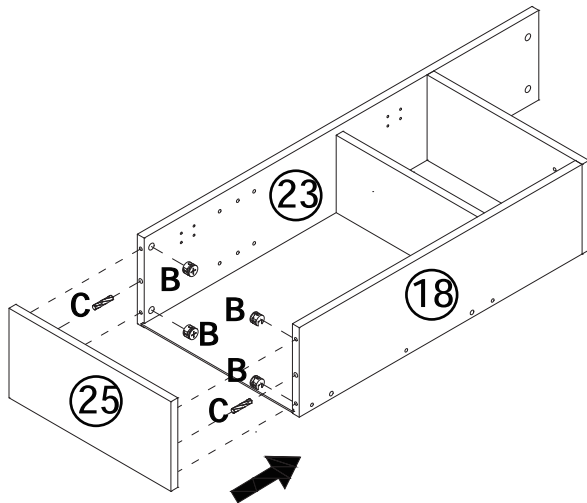
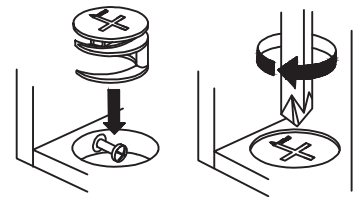
Lock the screws (A) to the part # 25.



Place part # 24 into the slots of the parts # 18 & 23.



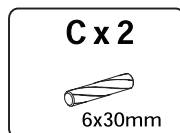
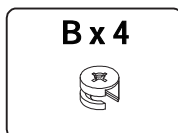
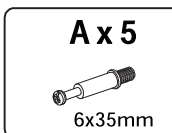
## Step 22



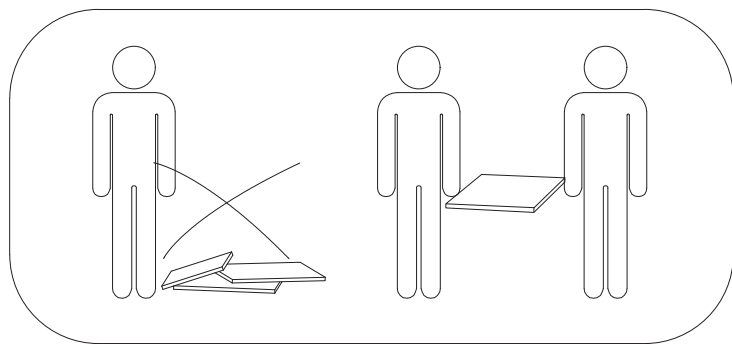
Insert wood pins (C) into parts # 18 & 23.

Attaching part # 25 to parts # 18 & 23 and put the eccentrics (B) into the corresponding holes on parts # 18 & 23. Then use a flat-blade screwdriver to tighten.

Lock the screws (A) to the parts # 18 & 20.

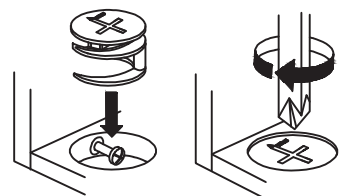
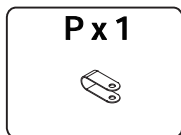
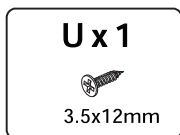
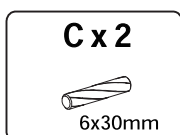
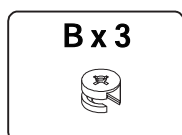
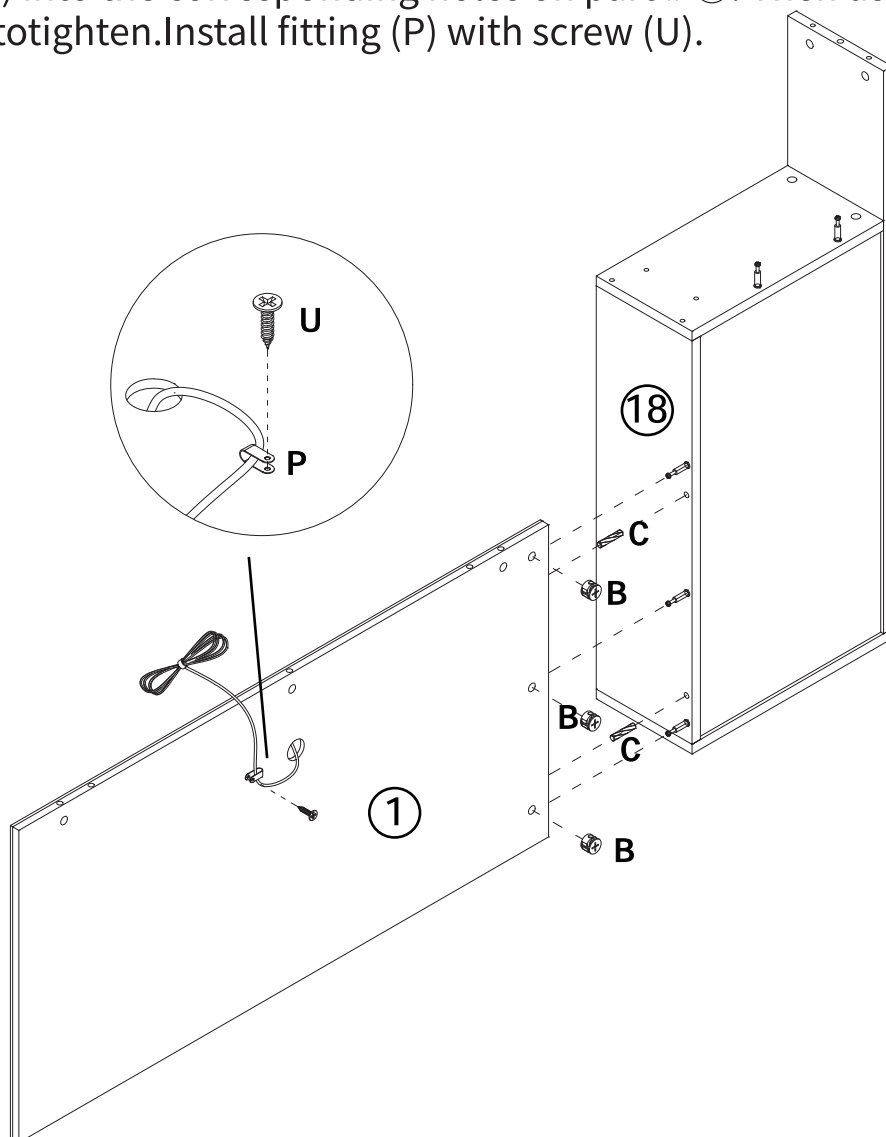


# Step 23



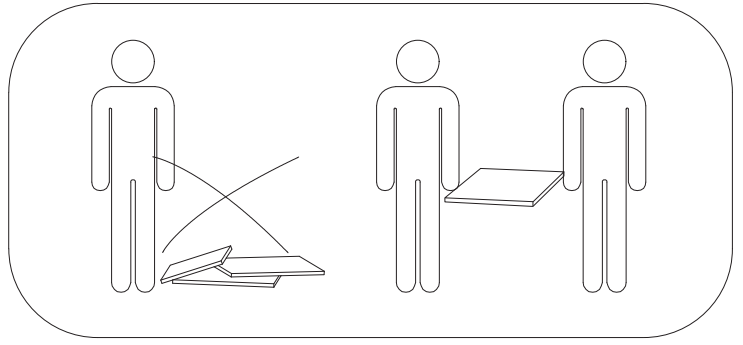
It is recommended to have two people to flip the cabinets and installation breakage is not a product quality issue.

Insert wood pins (C) into part # ⑱, attaching part # ① to parts # ⑱, and put the eccentrics (B) into the corresponding holes on part # ①. Then use a flat-blade screwdriver to tighten. Install fitting (P) with screw (U).

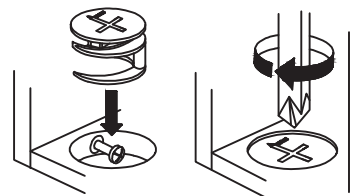
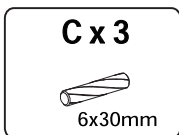
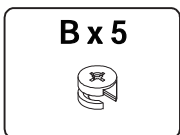
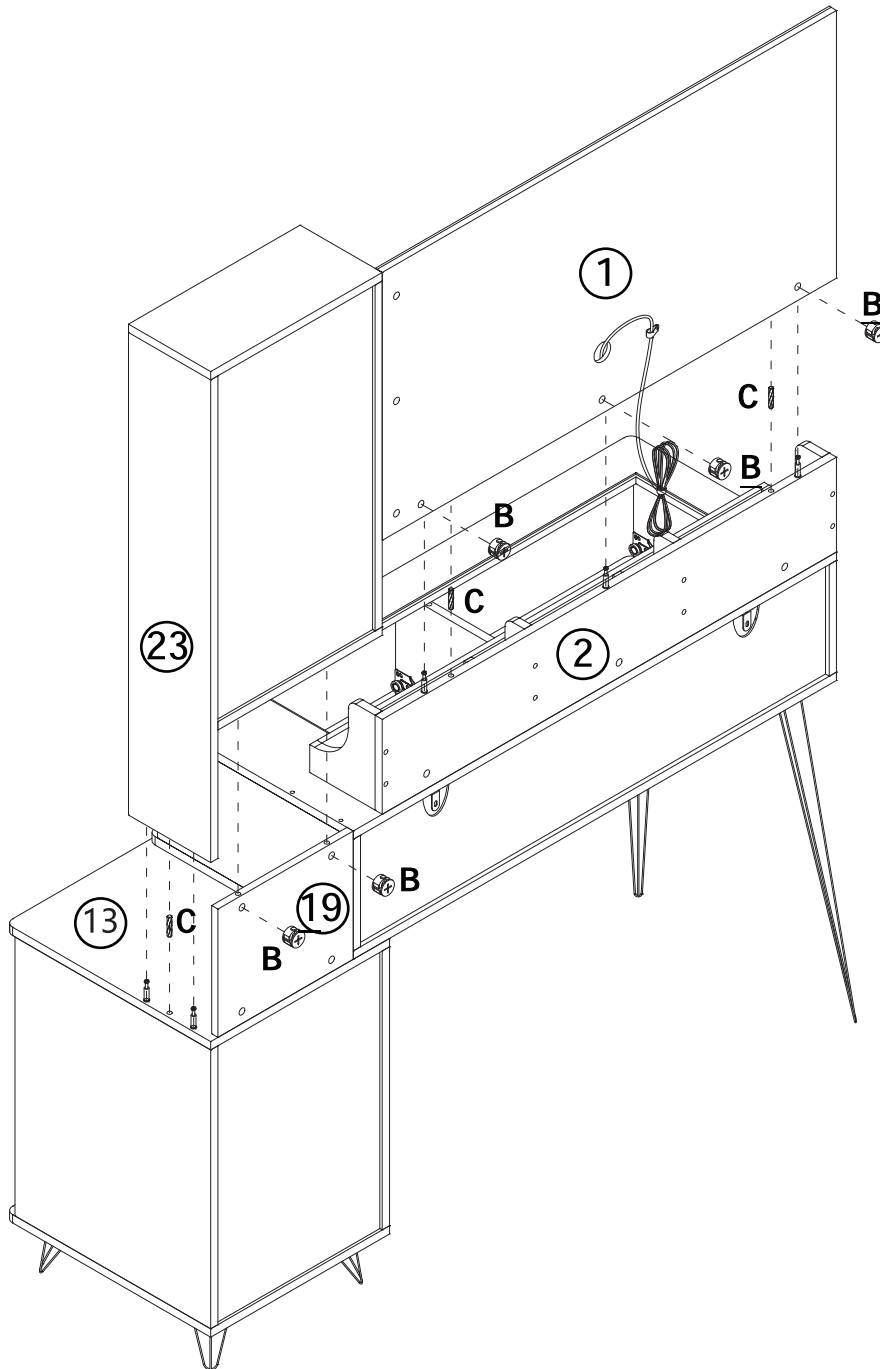


# Step 24

It is recommended to have two people to flip the cabinets and installation breakage is not a product quality issue.

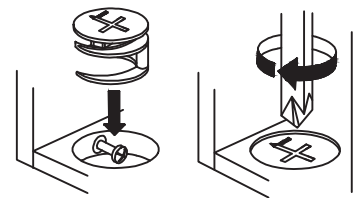
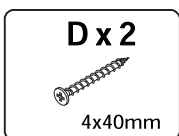
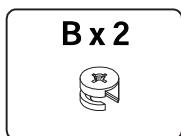
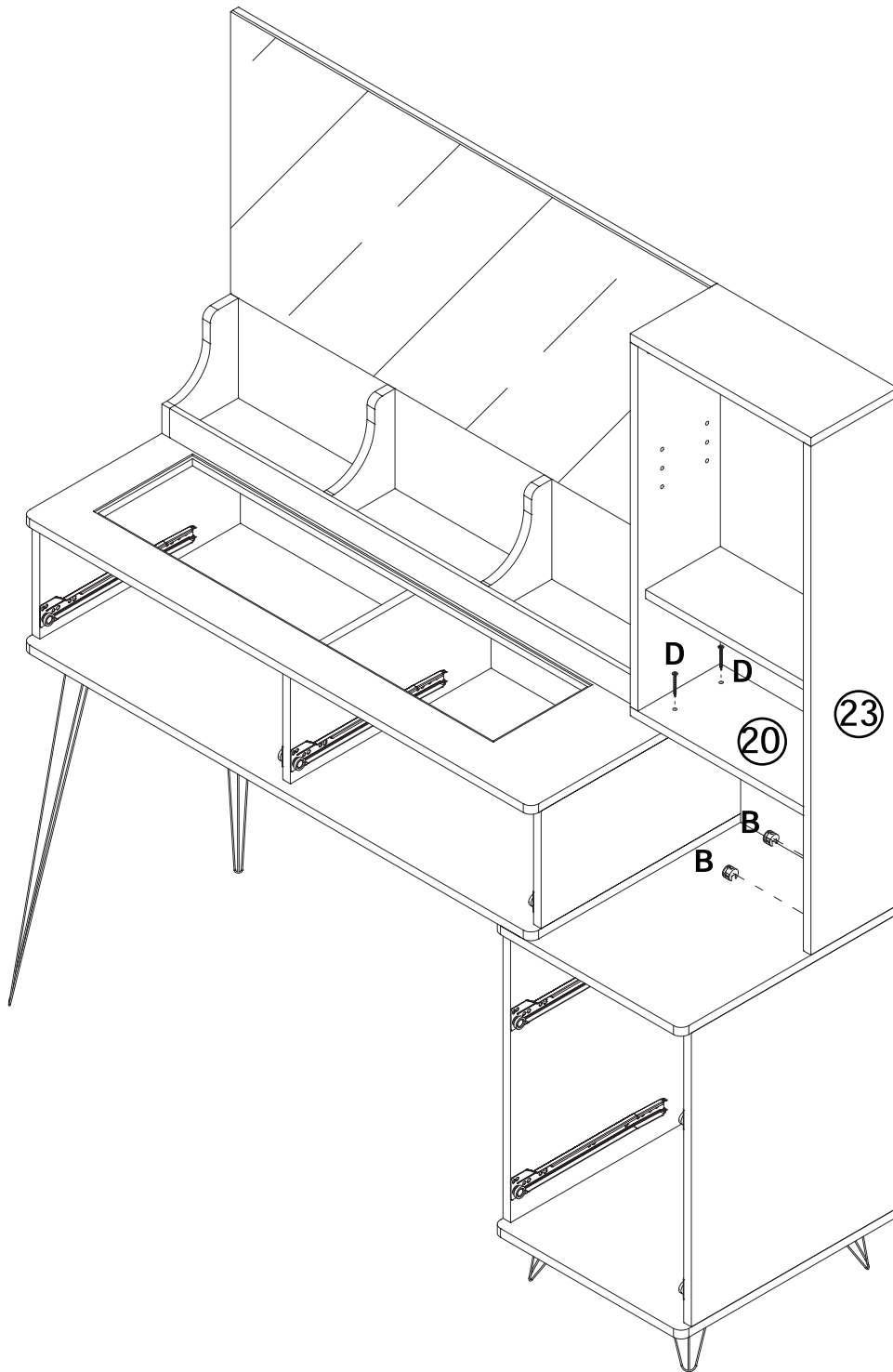


Insert wood pins (C) into parts # ② & ⑬ and put the eccentrics (B) into the corresponding holes on parts # ① & ⑱. Then use a flat-blade screwdriver to tighten.



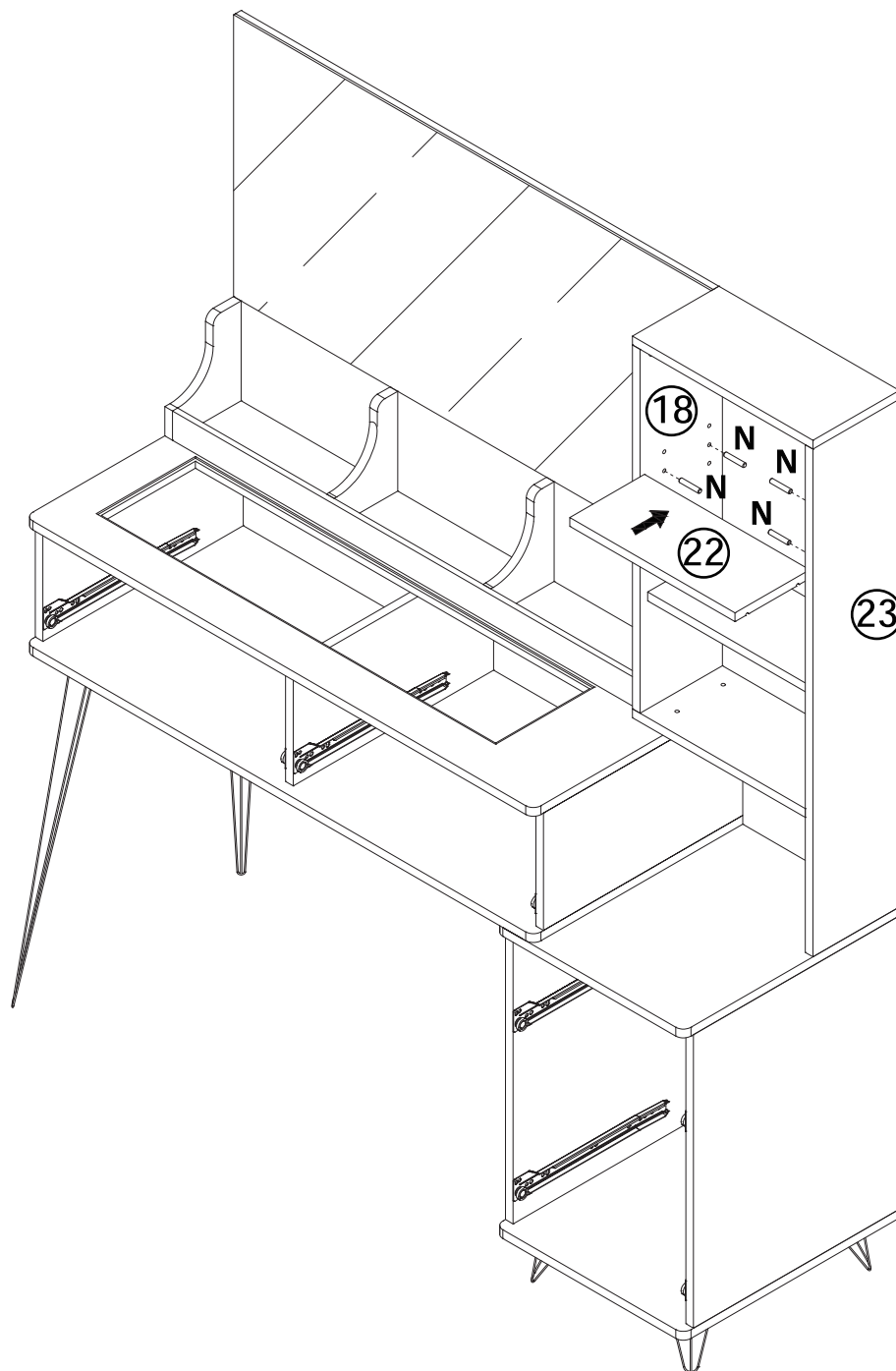
# Step 25

Put the eccentrics (B) into the corresponding holes on part # 23.  
Then use a flat-blade screwdriver to tighten.  
Install screws (D) for reinforcement on part # 20.



# Step 26

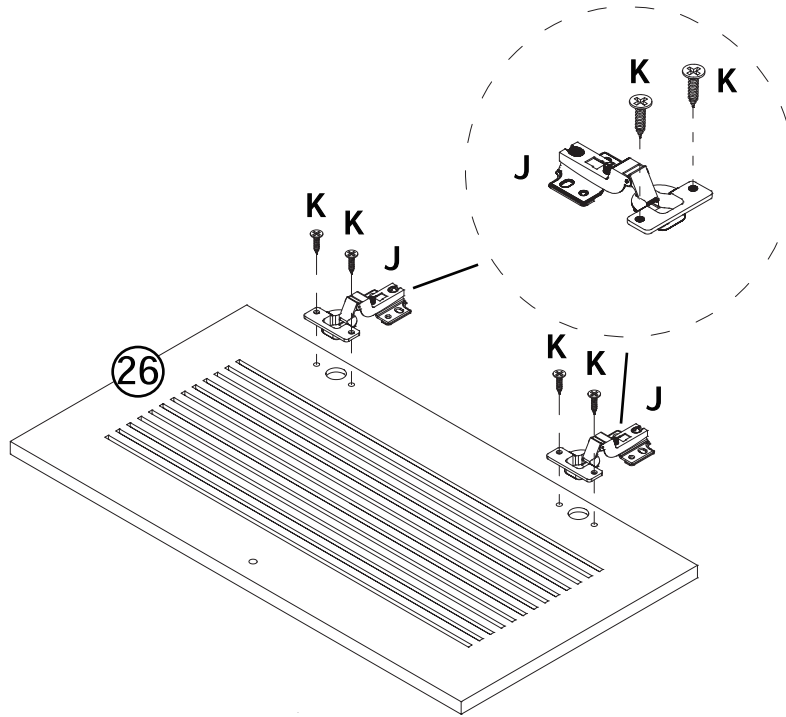
Place fittings (N) into the parts # ⑱ & ㉓. Place part # ㉒ flat into the cabinet.



N x 4



# Step 27



**J x 2**



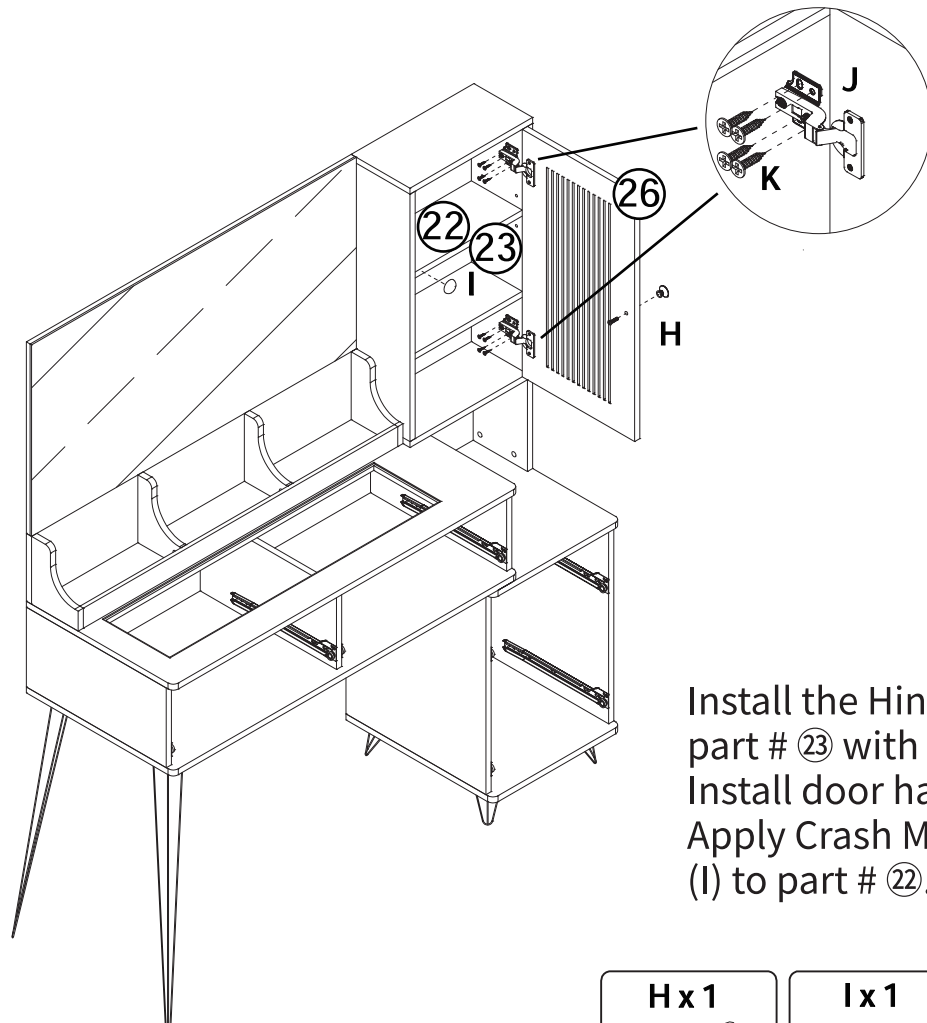
**K x 4**



4x12mm

Lock the Hinges (J) to the part # 26 with screws (K).

# Step 28



Install the Hinges (J) to the part # 23 with screws (K).  
Install door handle (H).  
Apply Crash Mute Sticker (I) to part # 22.

**H x 1**



4x18mm

**I x 1**



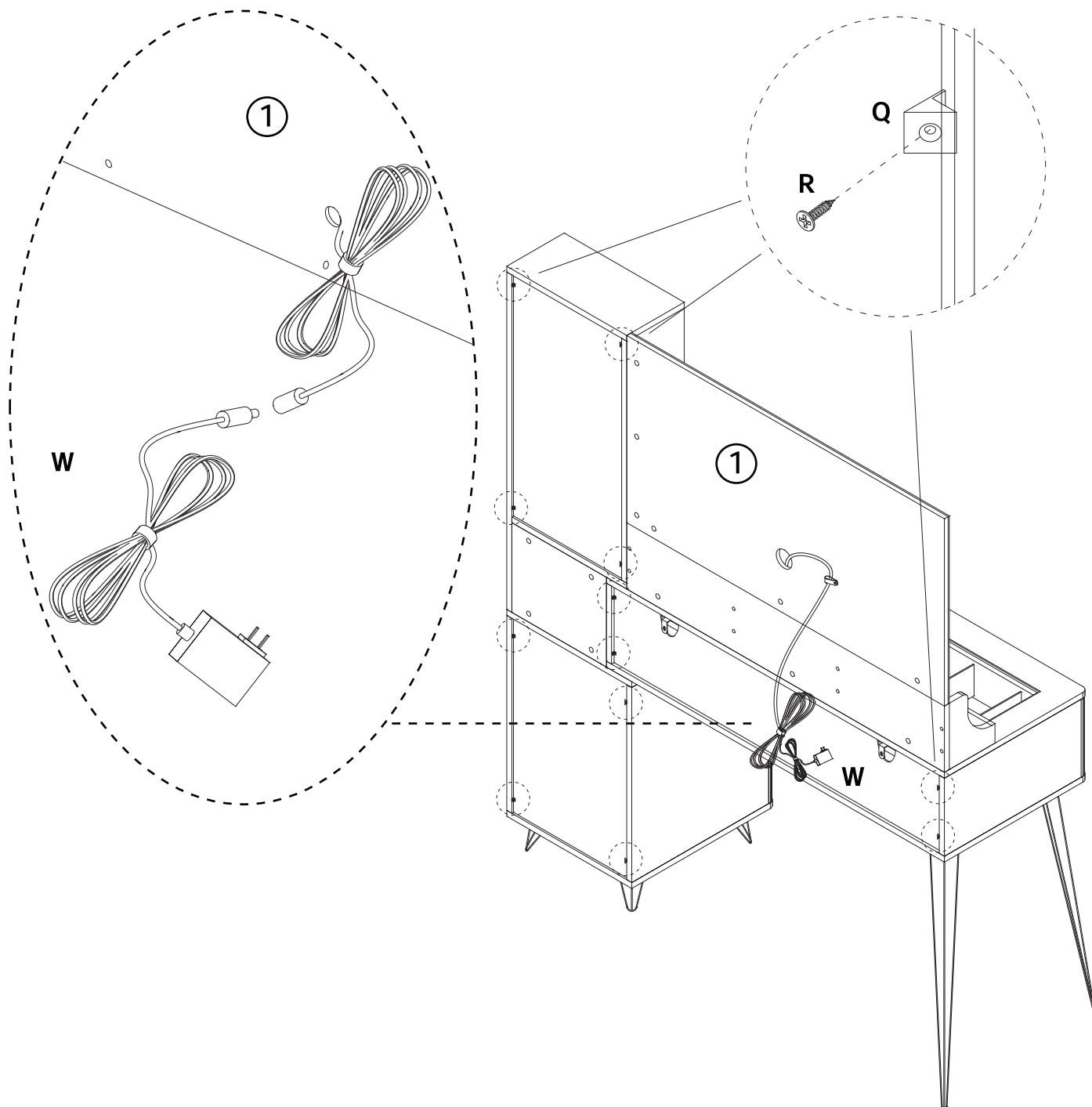
**K x 8**



4x12mm

# Step 29

Install fittings (Q) & (R) to increase the stability of the whole cabinet.  
Install the wire(W).



**Q x 12**



**R x 12**



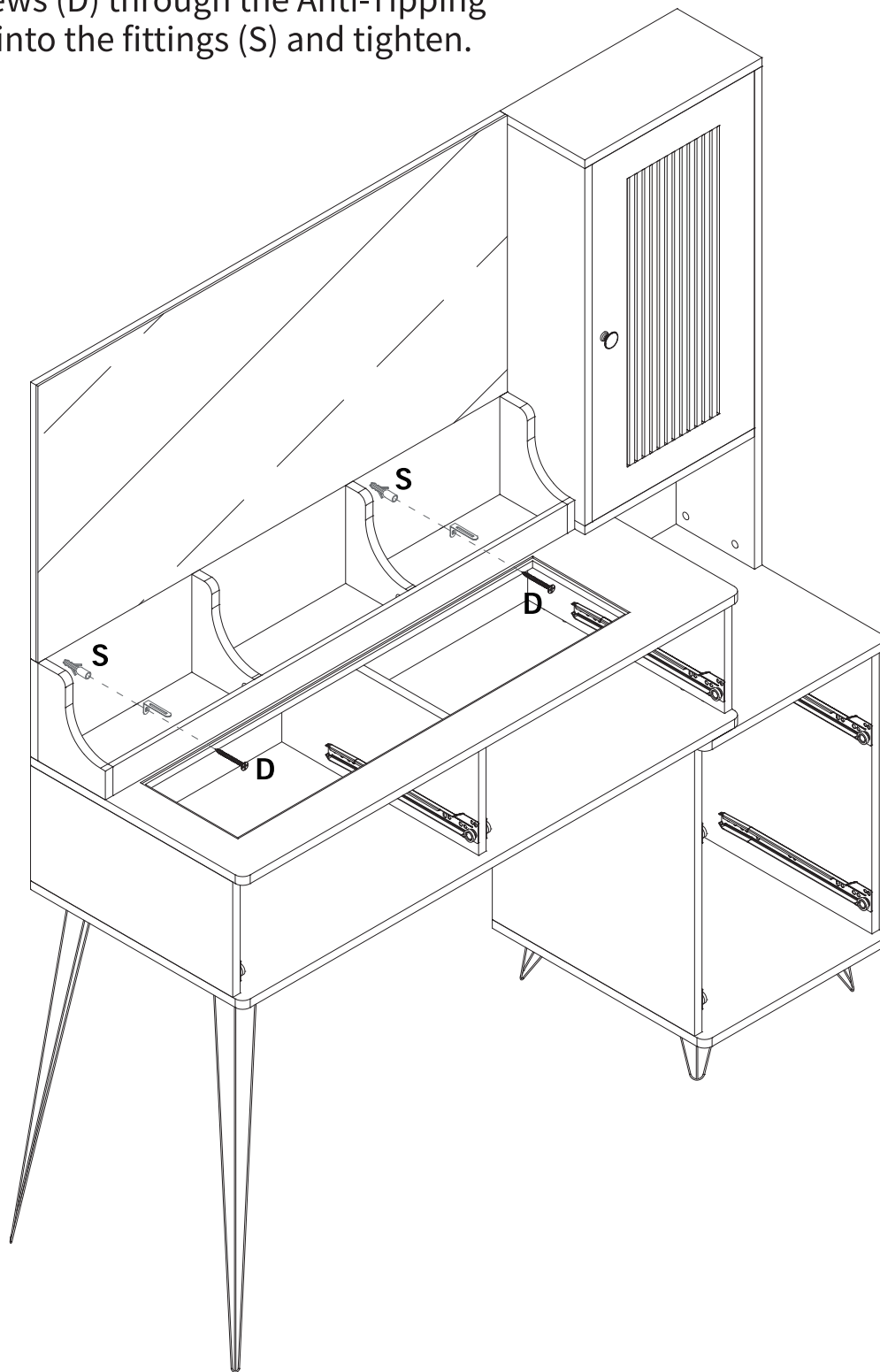
3x14mm

**W x 1**



# Step 30

Put fittings (S) on pre-drilled holes on the wall.  
Put the screws (D) through the Anti-Tipping devices (E) into the fittings (S) and tighten.



**D x 2**



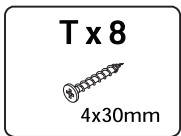
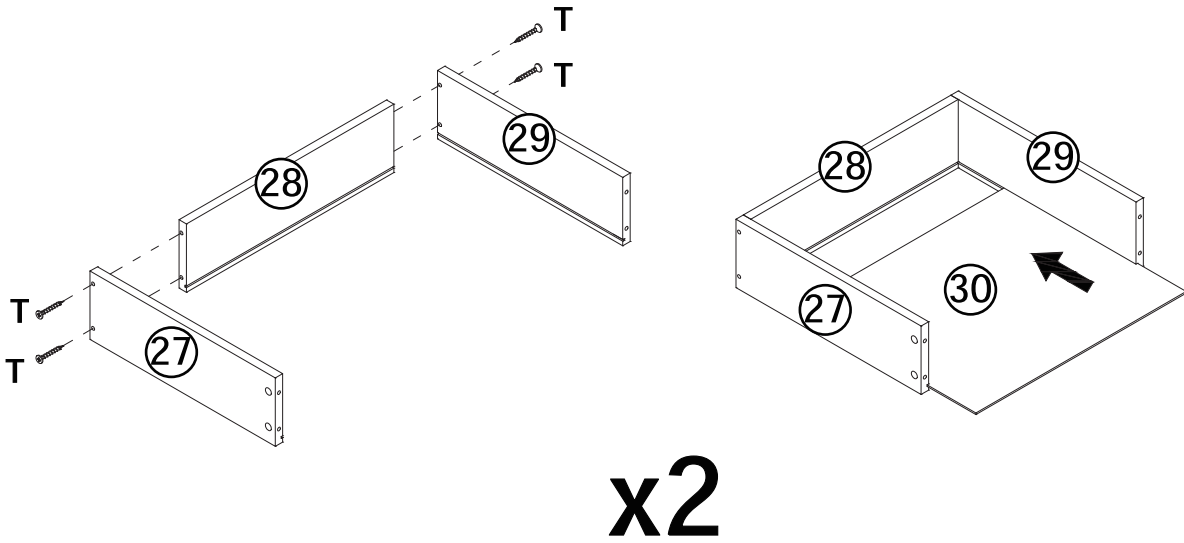
4x40mm

**S x 2**



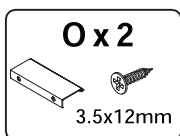
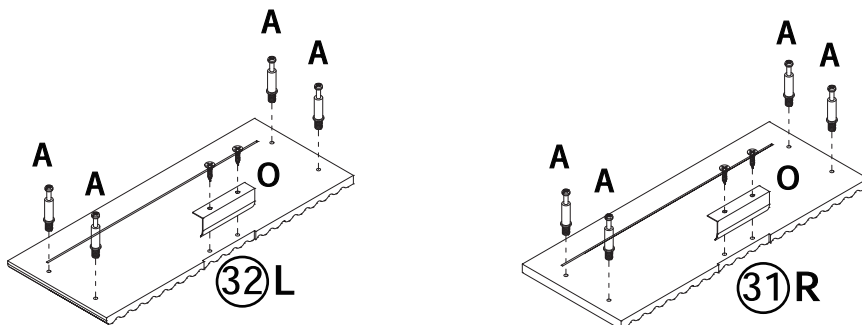
# Step 31

Use screws (T) to fasten parts # 27 & 29, to part # 28.  
Place part # 30 into the slots of the parts # 27, 28 & 29.

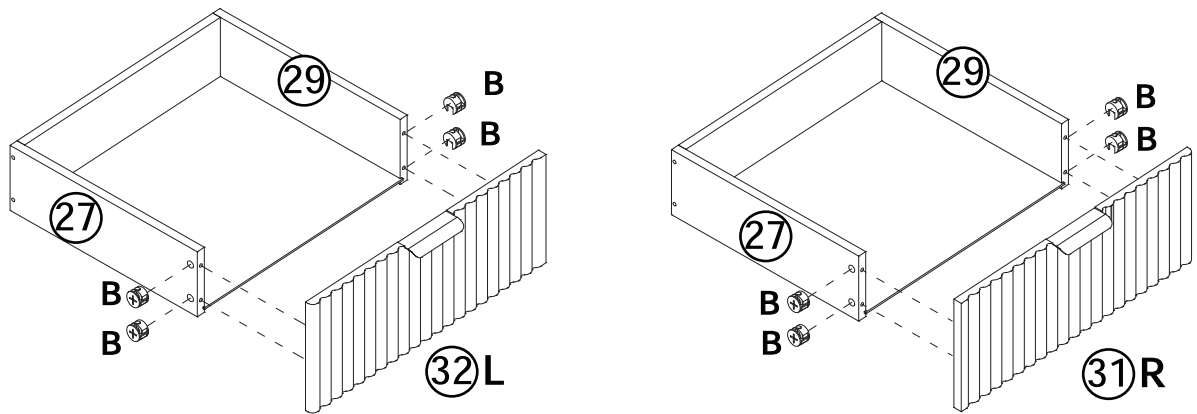


# Step 32

Lock the screws (A) to the parts # 31 & 32.  
Install drawer handles (O).



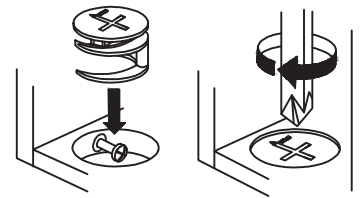
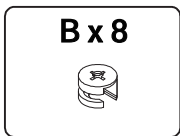
# Step 33



Attaching parts # 31 & 32 to parts # 27 & 29.

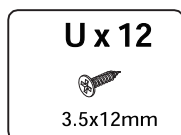
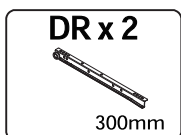
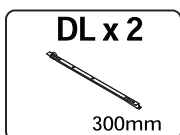
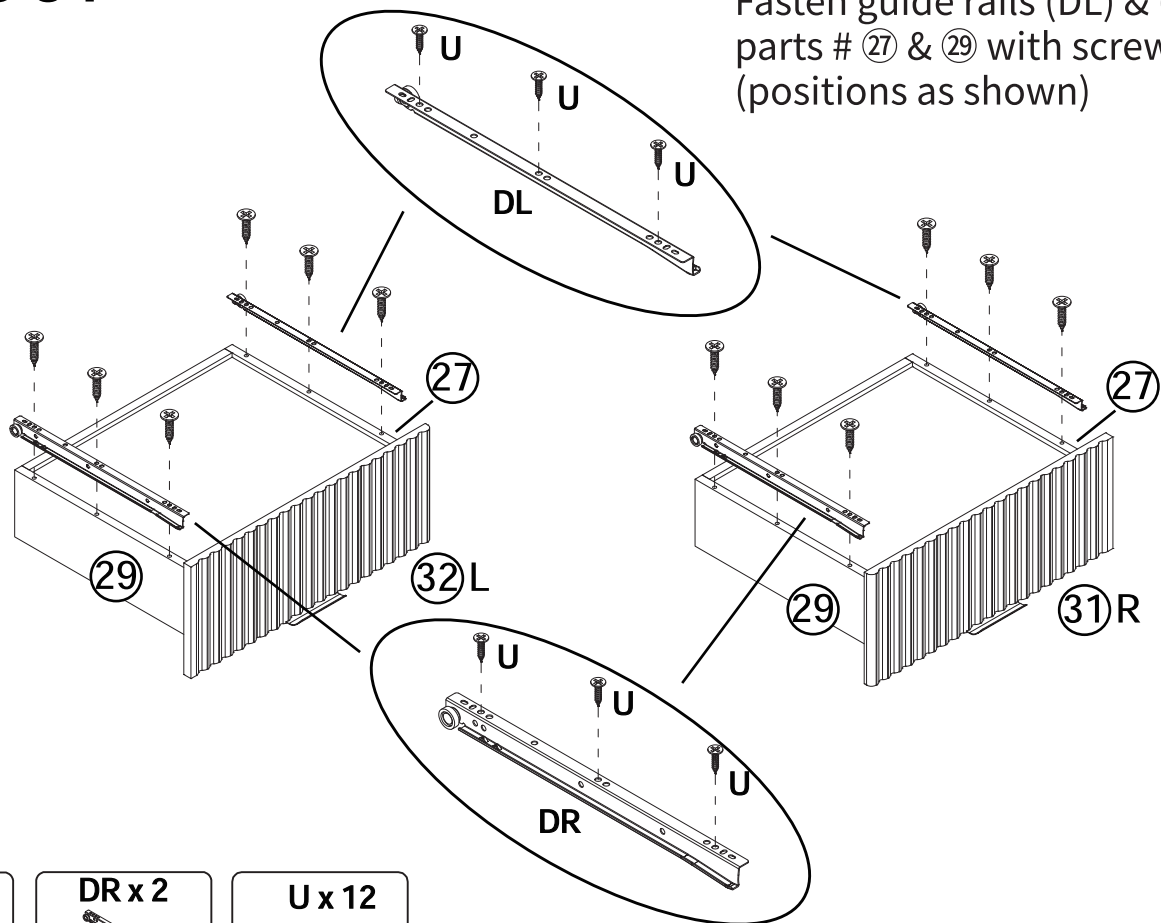
Put the eccentrics (B) into the corresponding holes on parts # 27 & 29.

Then use a flat-blade screwdriver to tighten.



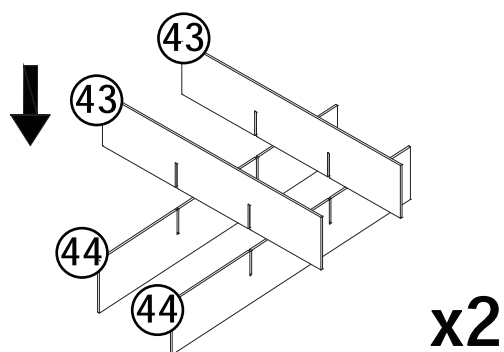
# Step 34

Fasten guide rails (DL) & (DR) to parts # 27 & 29 with screws (U).  
(positions as shown)

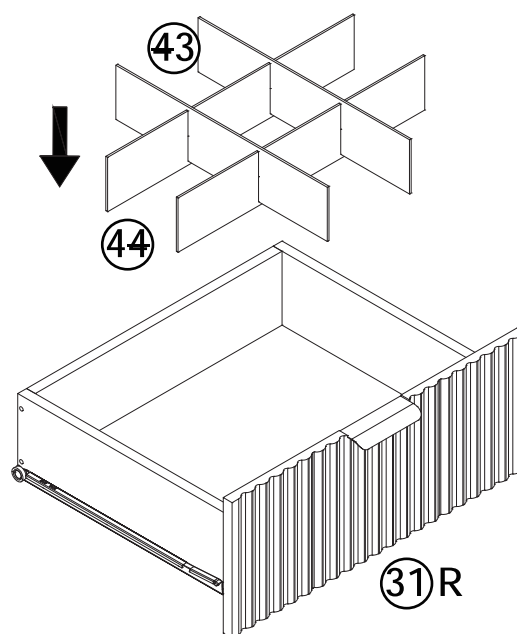
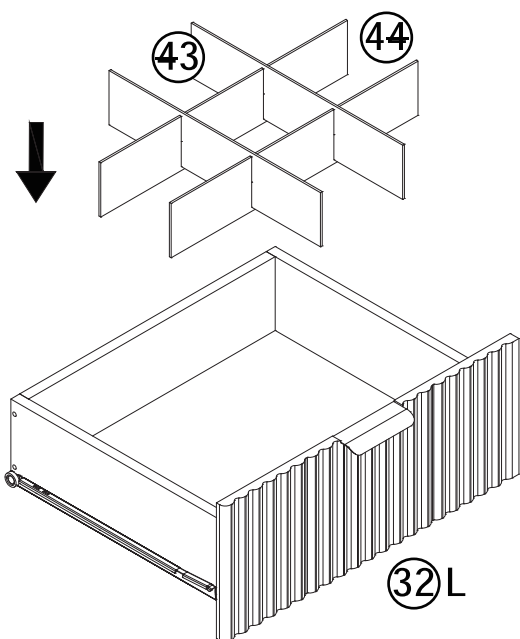


# Step 35

Insert parts # ④③ into the slots in parts # ④④.

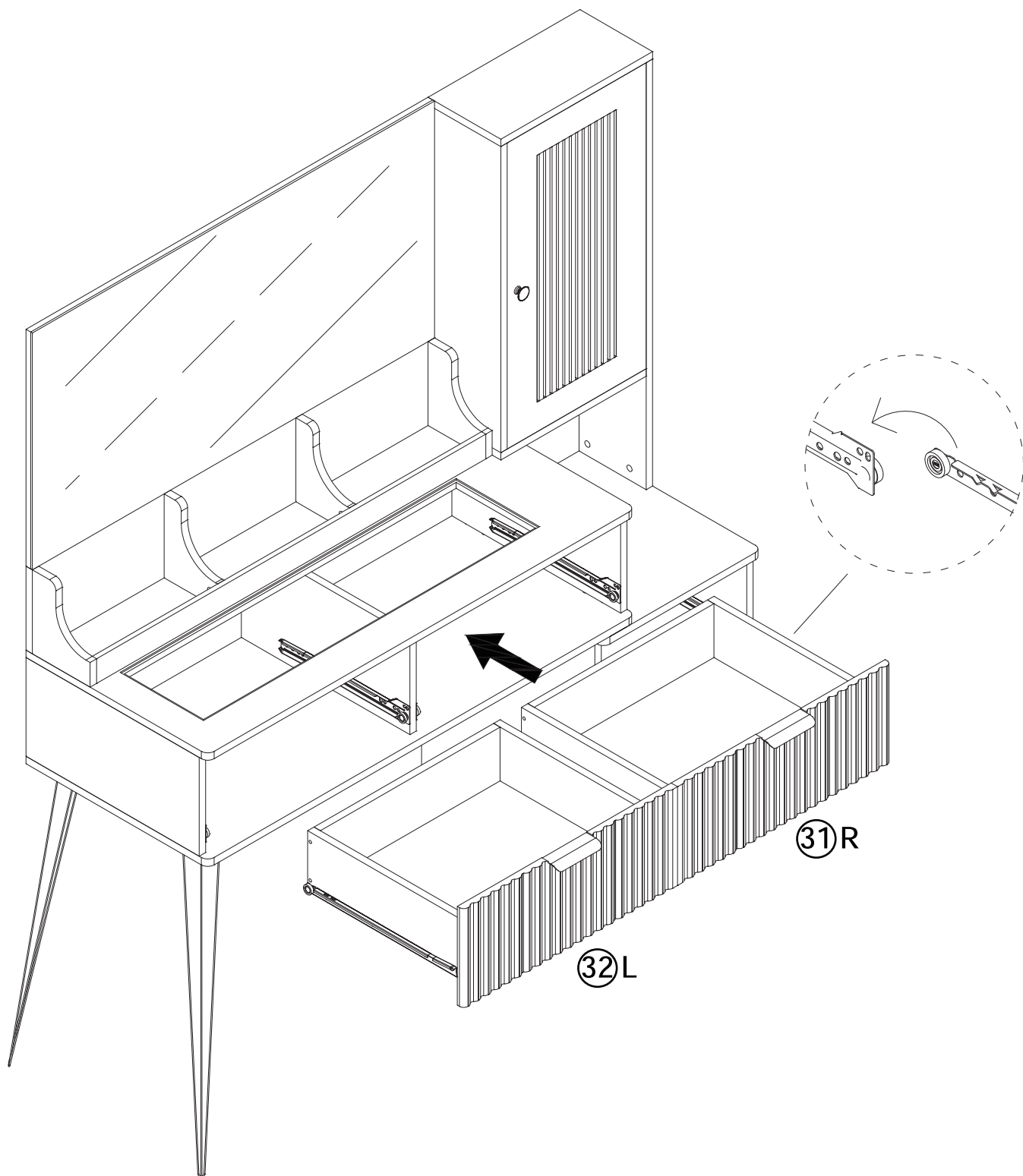


Put parts # ④③ & ④④ into drawers.



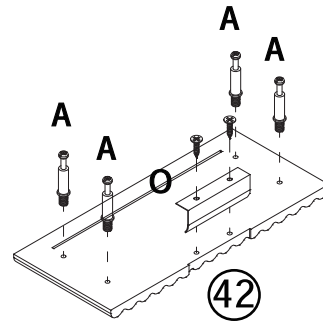
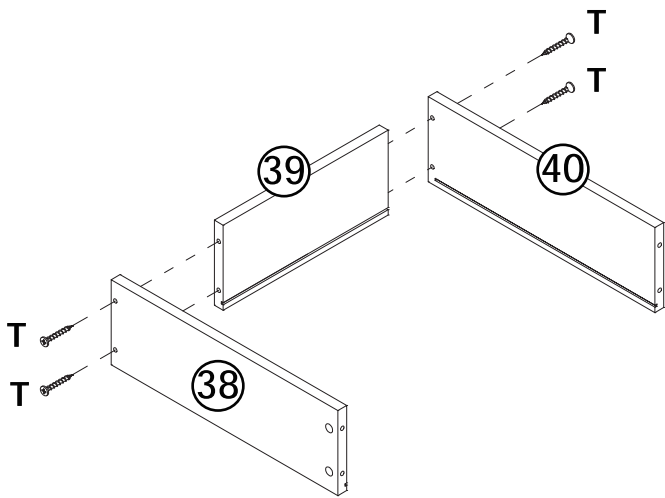
# Step 36

Install drawers, slides on both sides fit snugly together .

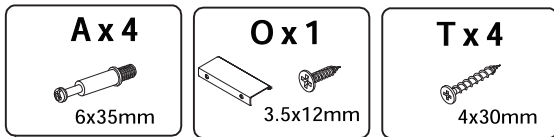


# Step 37

Use screws (T) to fasten parts # 38 & 40, to part # 39.



Lock the screws (A) to the part # 42.  
Install drawer handle (O).

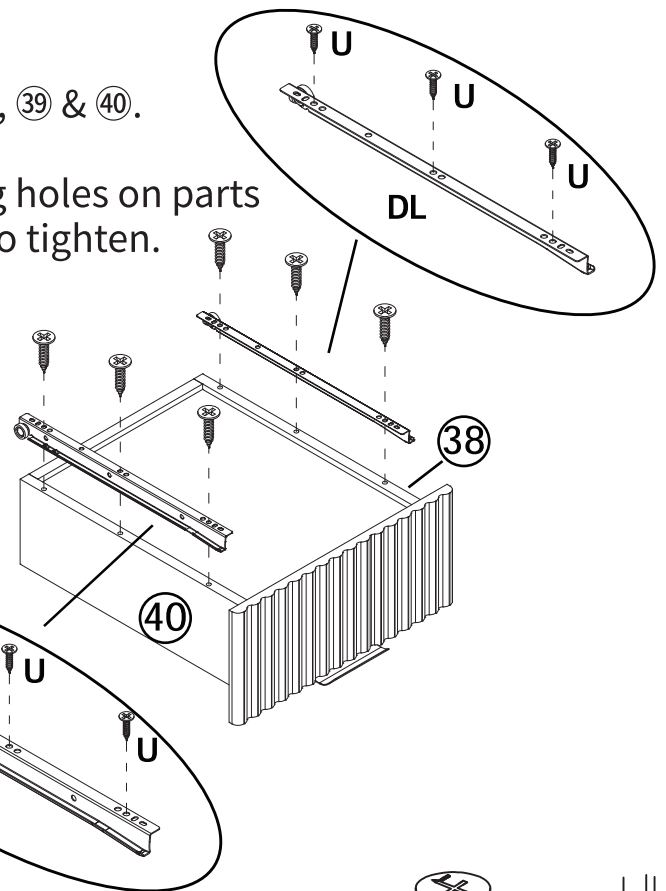
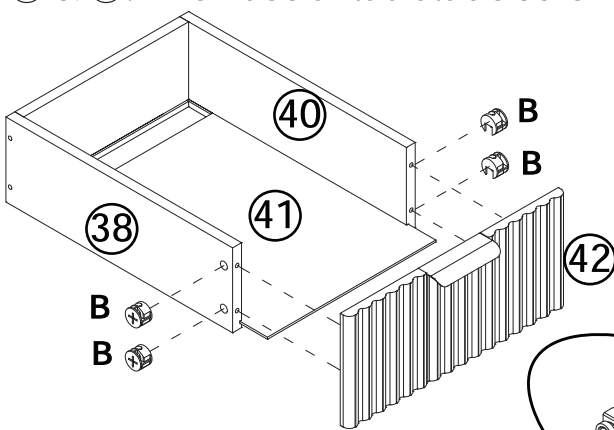


# Step 38

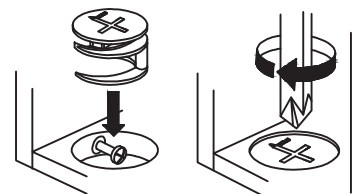
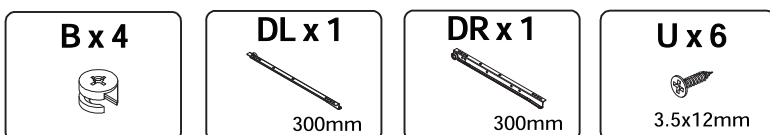
Place part # 41 into the slots of the parts # 38, 39 & 40.

Attaching part # 42 to parts # 38 & 40.

Put the eccentrics (B) into the corresponding holes on parts # 38 & 40. Then use a flat-blade screwdriver to tighten.

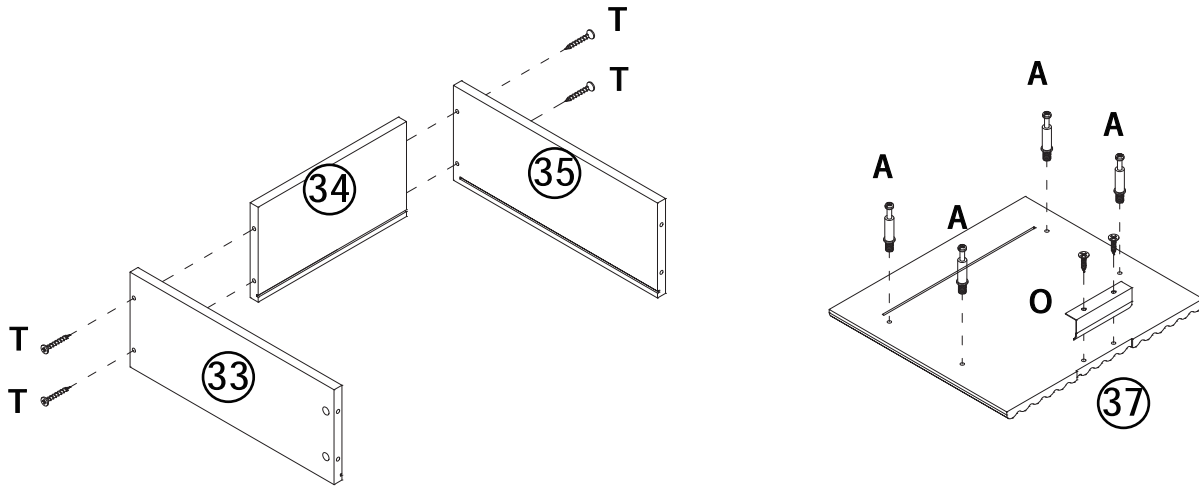


Fasten guide rails (DL) & (DR) to parts # 38 & 40 with screws (U).  
(positions as shown)

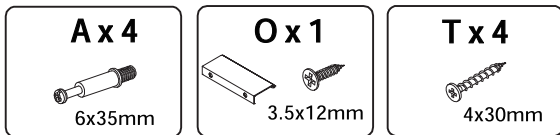


# Step 39

Use screws (T) to fasten parts # 33 & 35, to part # 34.



Lock the screws (A) to the part # 37.  
Install drawer handle (O).

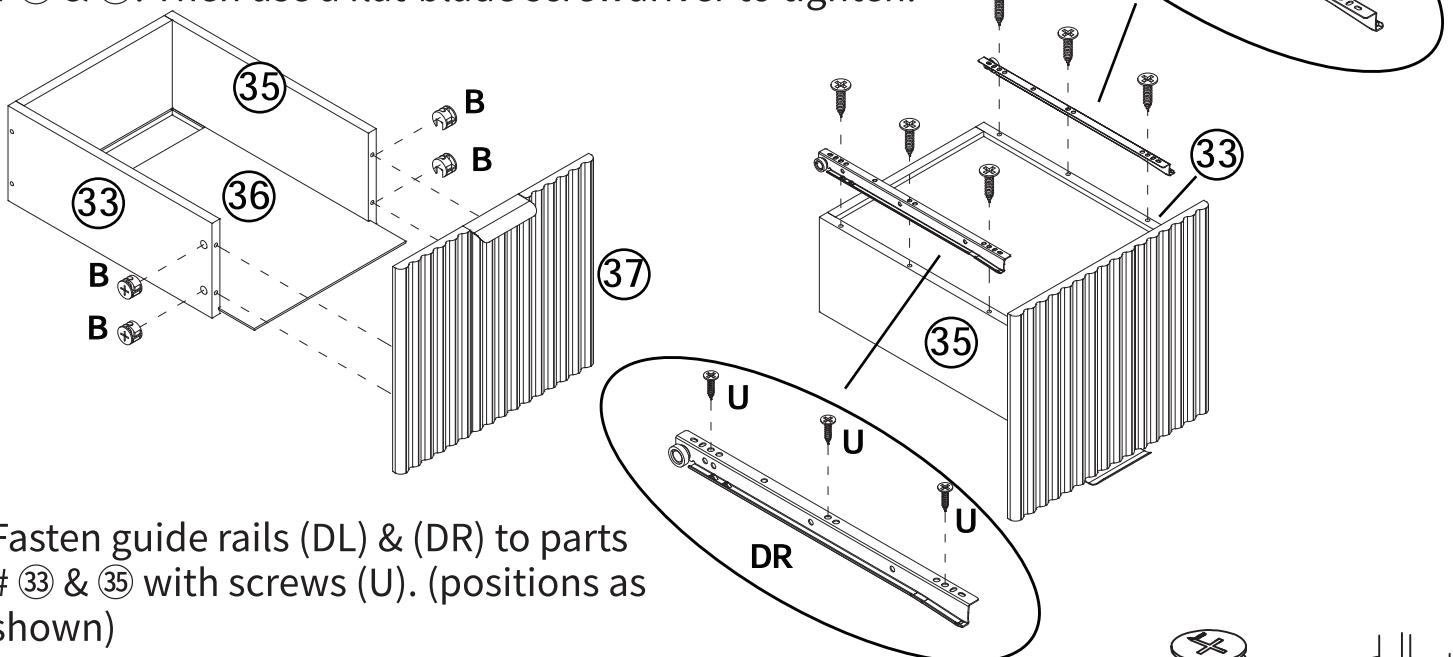


# Step 40

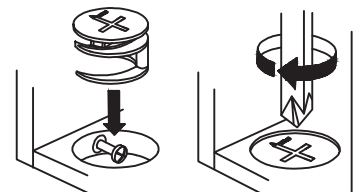
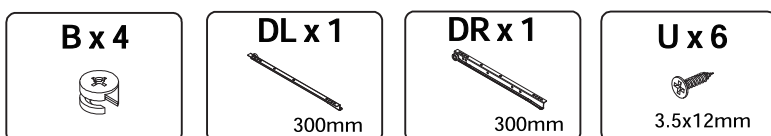
Place part # 36 into the slots of the parts # 33, 34 & 35.

Attaching part # 37 to parts # 33 & 35.

Put the eccentrics (B) into the corresponding holes on parts # 33 & 35. Then use a flat-blade screwdriver to tighten.



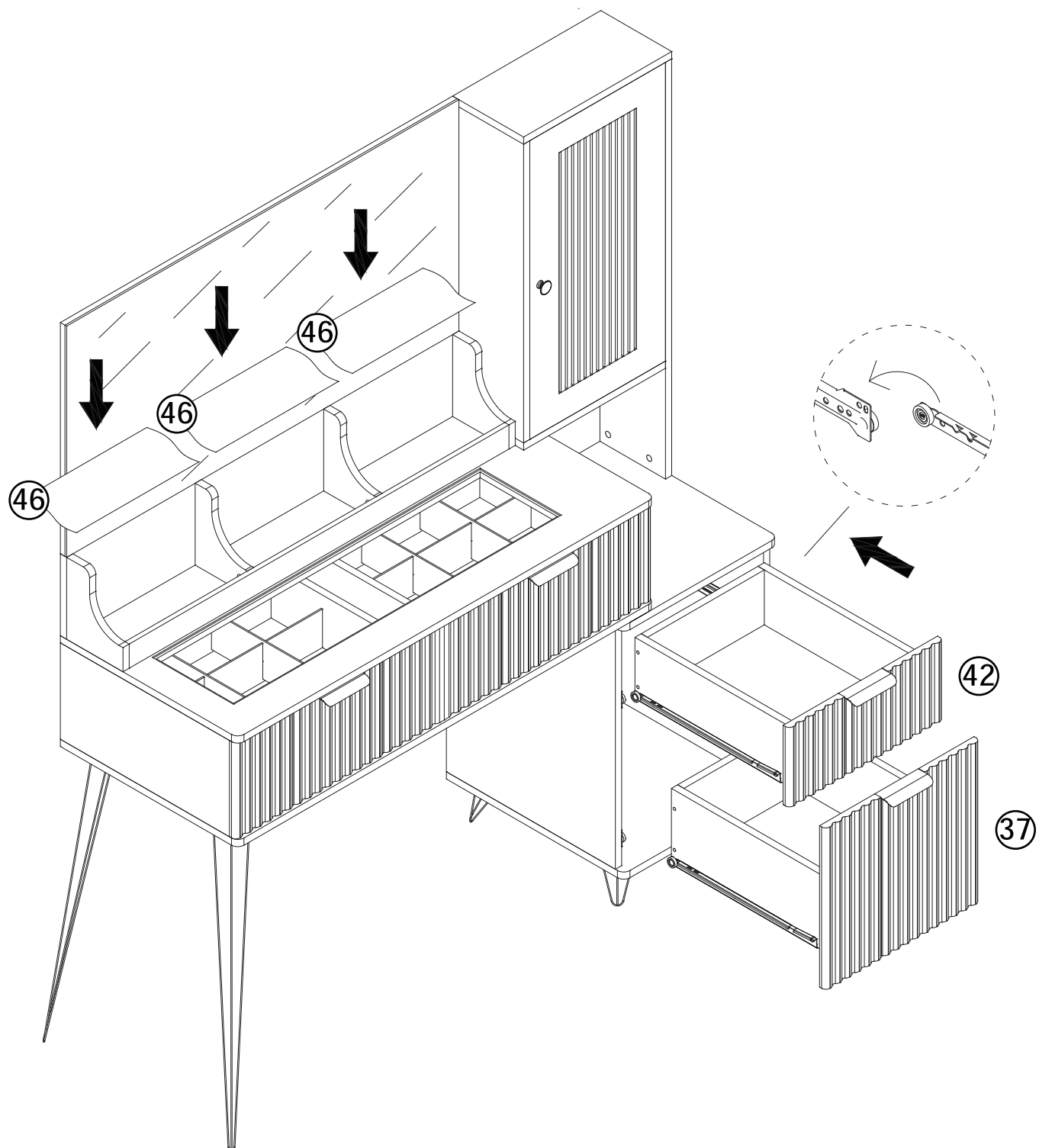
Fasten guide rails (DL) & (DR) to parts # 33 & 35 with screws (U). (positions as shown)



# Step 41

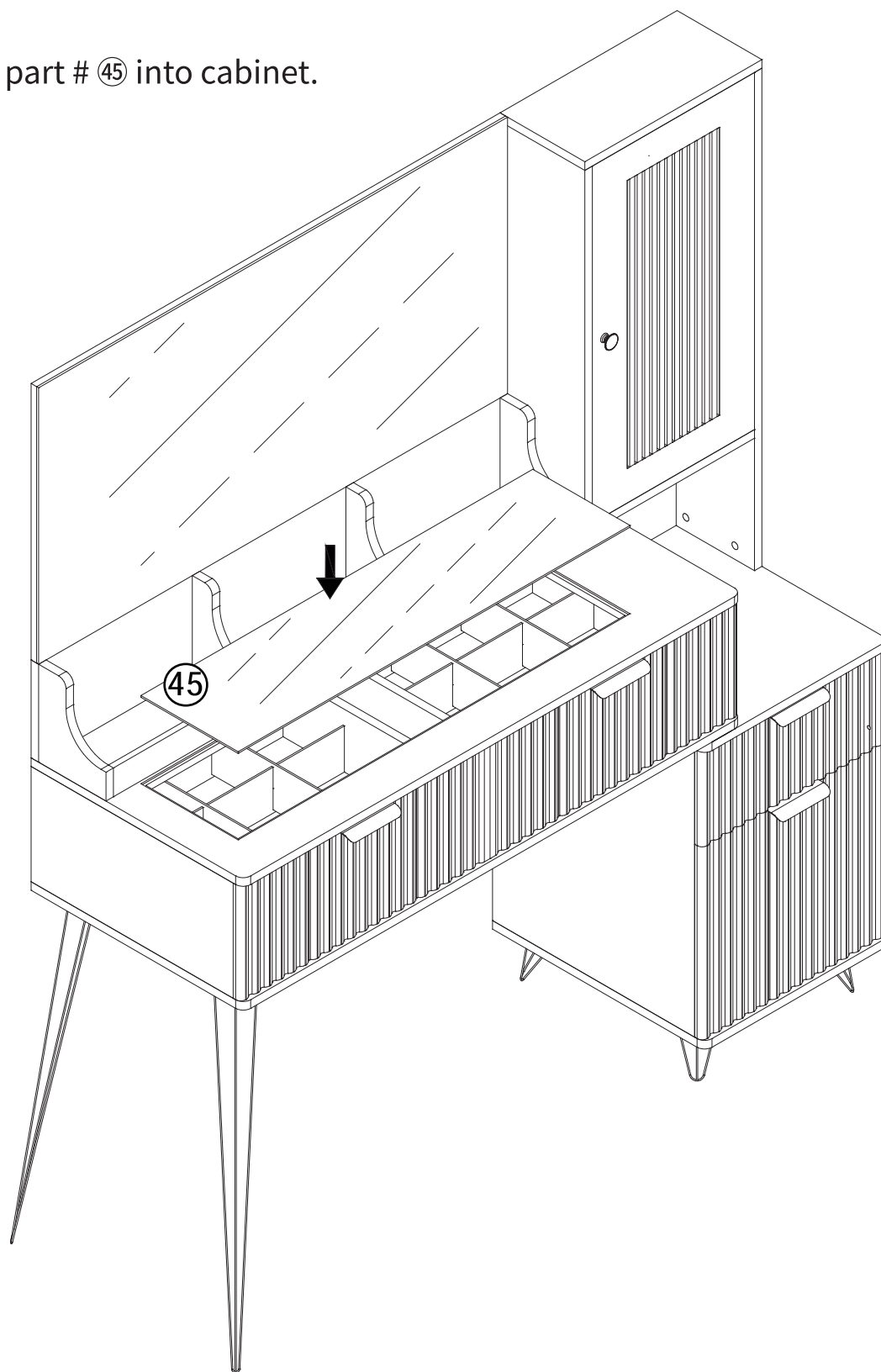
Install part # ④⑥ into cabinet.

Install drawers, slides on both sides fit snugly together .



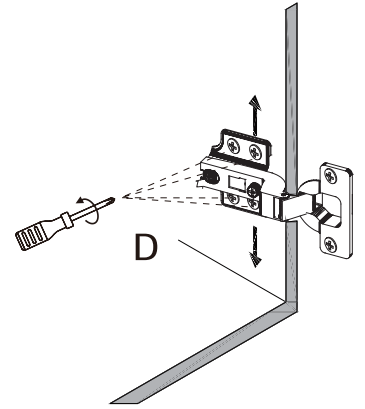
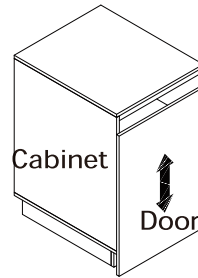
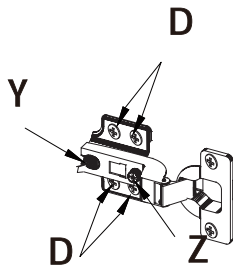
# Step 42

Install part # 45 into cabinet.

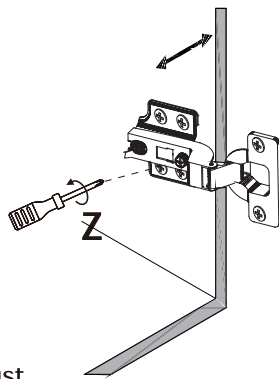
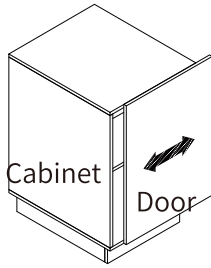


# Step 43

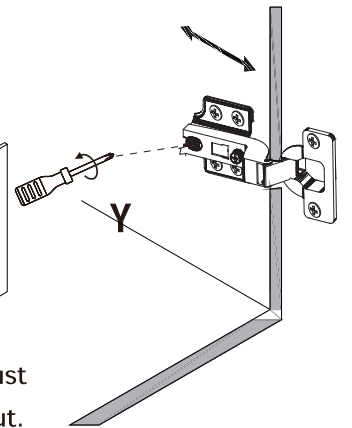
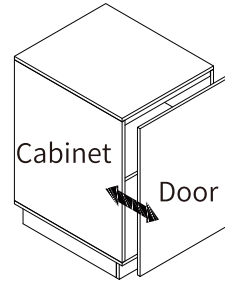
## Hinges Adjustment Tips



Loosening screw (D) can adjust the door panel vertically.



Loosening screw Z can adjust the door panel horizontally.



Loosening screw Y can adjust the door panel in-and-out.

