





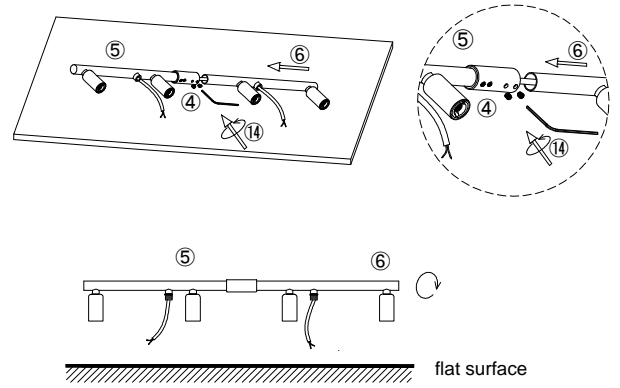
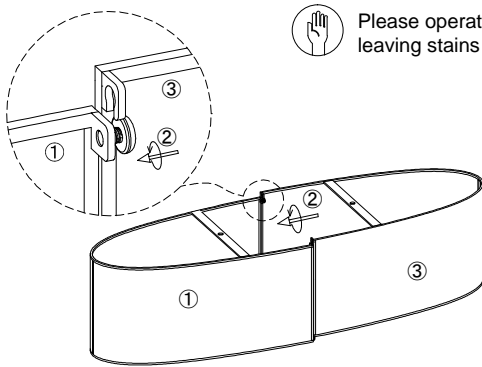


①	① male lampshade 1pcs	③	femal lampshade 1pcs
②	② screw 4pcs	④	④ grub screw 2pcs
⑤	⑤ light arm 1pcs	⑥	⑥ light arm 1pcs
⑦	⑦ threaded rod 2pcs	⑨	⑨ hanging tube 6pcs
⑧	⑧ hanging tube 2pcs	⑫	⑫ canopy 1pcs
⑩	⑩ carabiner hook screw connection 2pcs	⑬	⑬ cap nut 2pcs
⑪	⑪ hanging tube 2pcs	⑭	⑭ hex key 1pcs
	X 1PCS		X 3PCS
	X 1PCS		X 3PCS
	X 3PCS		X 3PCS



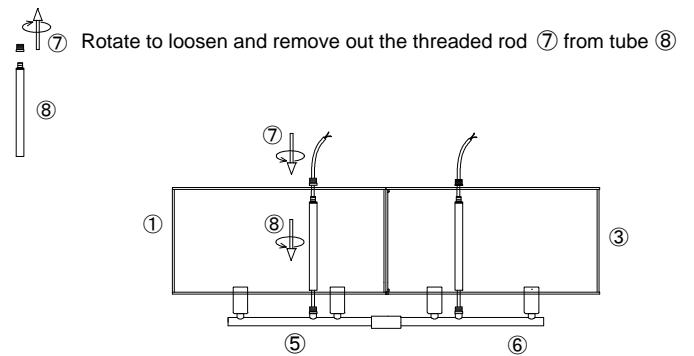
Put the arm ⑥ into the arm ⑤, adjust two arms in a proper position to make the whole fixture straight, after that fixed both arms with grub screw ④ by rotate hex key ⑭.

1. Install the light arm ⑥ and light arm ⑤ together with grub screw ④.

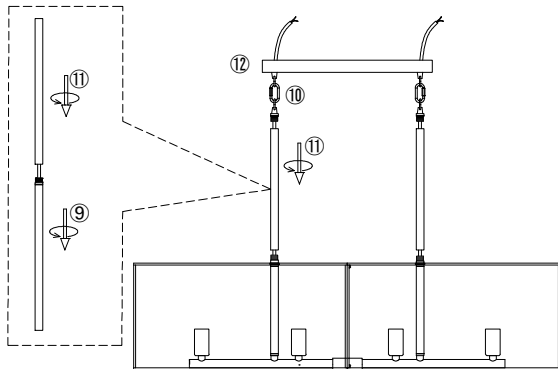


Please operate with gloves to avoid leaving stains on the lampshade.

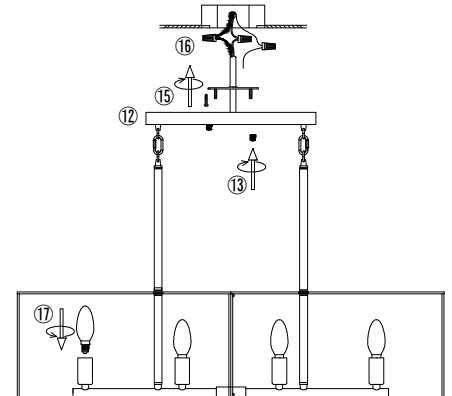
2. Rotate to loosen the screw ② which at the male lampshade ① but do not remove out, put the female lampshade ③ on the screw ②, rotate screw ② to assemble two lampshades together.



3. Let the wire of the fixture go through the hanging tube ⑧, rotate to install the tube ⑧ to the fixture, let the wire go through the lampshade and the threaded rod ⑦, rotate the rod ⑦ to fasten the lampshade to the fixture.



4. Let the wire go through the tube ⑪, rotate to install the tube to the fixture, hang the fixture to the canopy ⑫ with carabiner hook screw connection ⑩, let the wire go through the ring ⑩ and canopy ⑫.



5. Install the bracket to the ceiling junction box with screw ⑮.  
6. Connect the wire to your home line with cap connector ⑯.  
7. Install the fixture to the bracket with cap nut ⑬.  
8. Install the bulb ⑰.

Please read carefully before installation!!!

Note : Please make sure that the electricity is powered off during installation !

Only a professional electrician should install this kind of product !