










Assembly Instructions

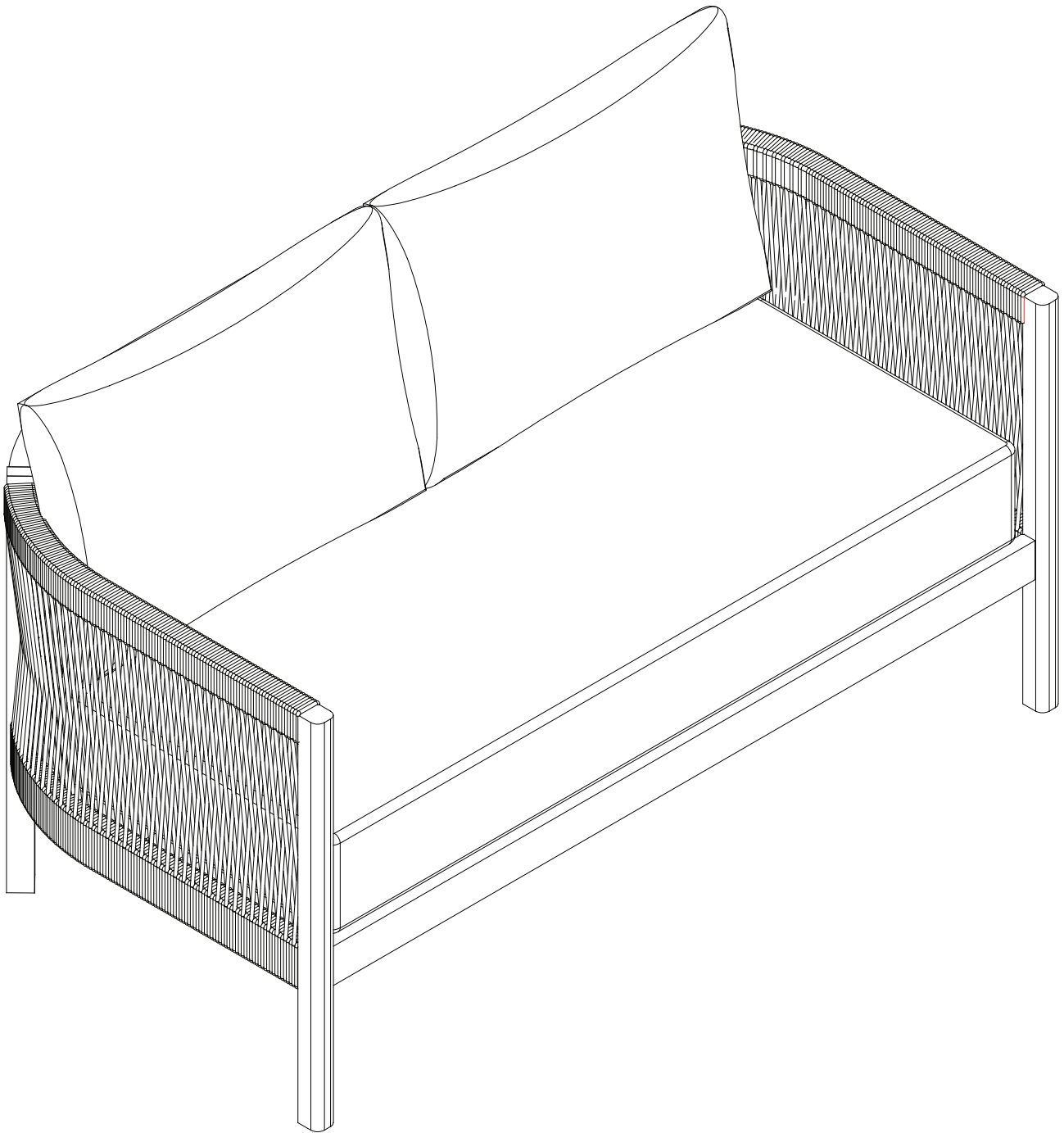
CAUTION: You must read these Assembly Instructions before you proceed.

Care & Maintenance

- ⊘  • Not for commercial use. For residential use only.
- ⊘  • Do not put hot items directly on furniture surface.
- ⊘  • Do not clean furniture with harsh cleansers or polish.
- ✓  • To obtain the longest lifespan of your outdoor products, minimizing exposure to direct sunlight is recommended.
- ⊘  • Children should not climb or jump on the furniture.
- ⊘  • Do not write on furniture without a padded barrier to protect the surface.
- ⊘  • To obtain the longest lifespan of your outdoor products, avoid extended and lengthy exposure to rain, snow, and direct sunshine. Whenever possible cover the product and /or place under patio or awnings.
- ⊘  • Stains may be removed with mild soap solution and damp cloth.
- ✓  • Dust and pick-up spills using a clean, non-colored, lint-free cloth.

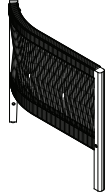
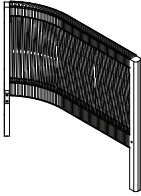
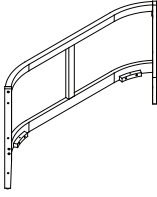
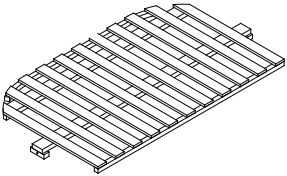
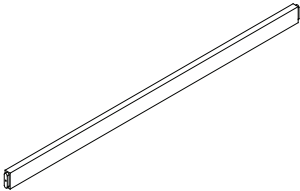
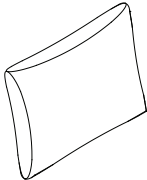
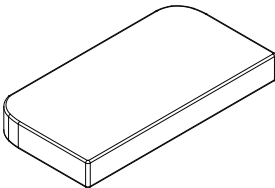
Please look under the Seat Panel for hardware pack.

Loveseat

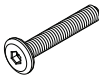
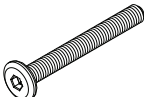


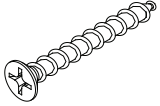

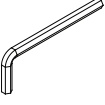
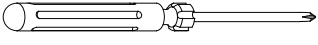
CAUTION: This Loveseat is NOT a TOY
Keep your child/children at bay during the assembly process.
Whenever moving/lifting the Loveseat and to prevent damage to the Loveseat
two adults are needed to execute these actions.

Parts List

| Label | Picture | Description | QTY |
|-------|---|-----------------|-----|
| A |  | Left Leg Panel | 1 |
| B |  | Right Leg Panel | 1 |
| C |  | Backrest Panel | 1 |
| D |  | Seat Panel | 1 |
| E |  | Support Panel | 1 |
| F |  | Back Pillow | 2 |
| G |  | Seat Cushion | 1 |

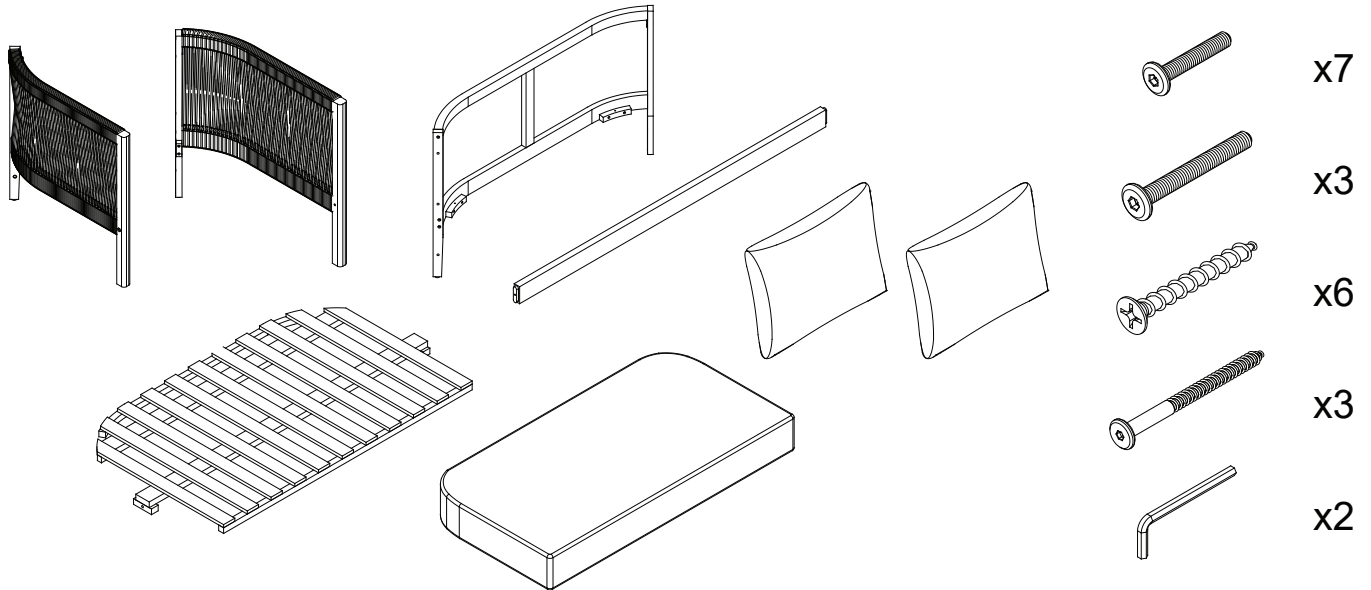
Hardware

| Label | Picture | Description | QTY |
|-------|---|----------------|-----|
| ① |  | Bolt (M6x35mm) | 7 |
| ② |  | Bolt (M6x50mm) | 3 |

| | | | |
|---|---|--------------------------------|---|
| ③ |  | Screw (M4x35mm) | 6 |
| ④ |  | Screw (M7x90mm) | 3 |
| ⑤ |  | Allen Wrench | 2 |
| ⑥ |  | Screwdrivers (not provided) | 1 |

Assembly Preparation

Before Beginning Assembly:



- Read instructions, cover to cover.



- Have 2 adults on hand for assembly.



- Do not assemble on flooring or carpet.



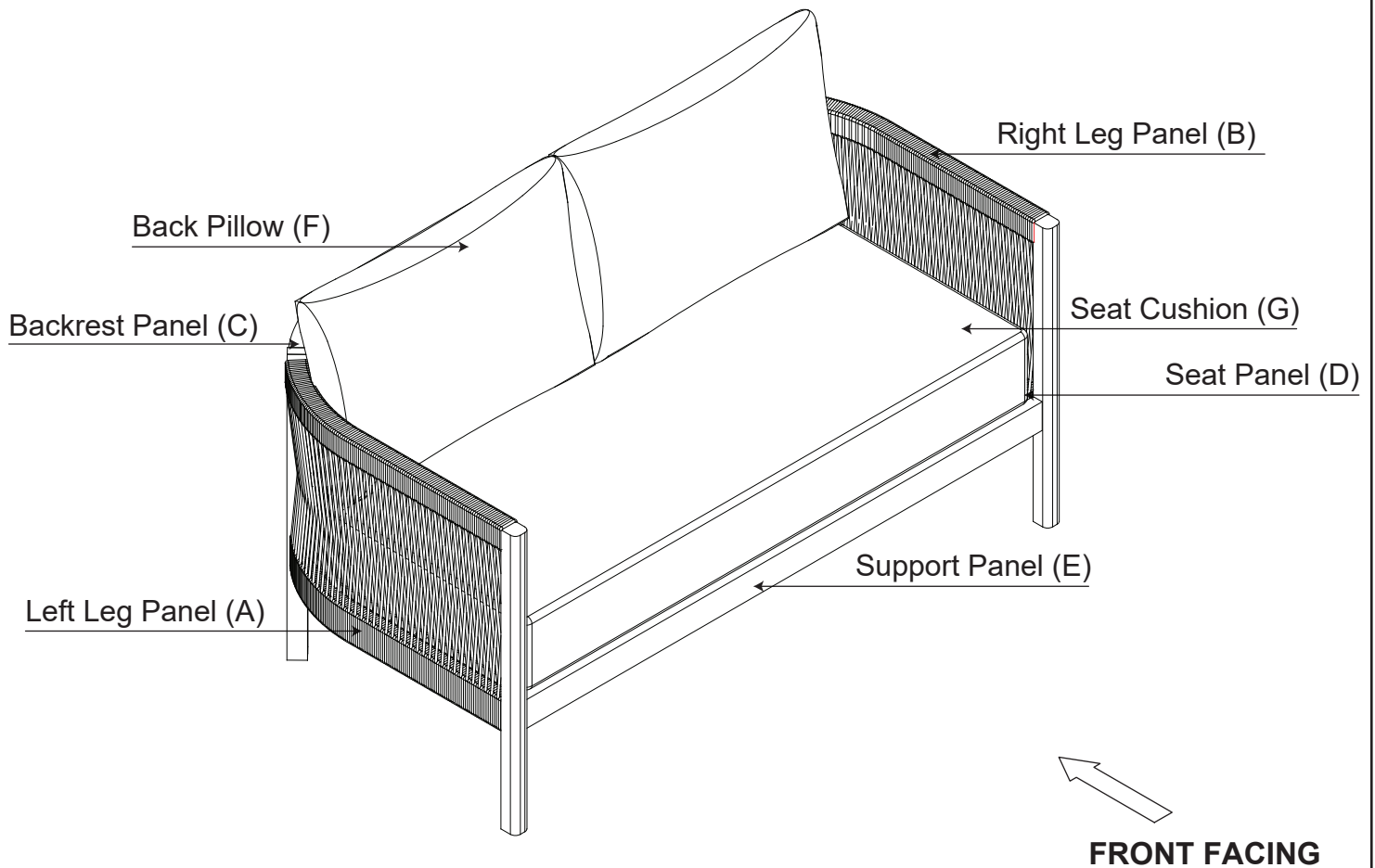
- Assemble on a clean non-marring surface (packing foam).



- Save all packaging until finished.

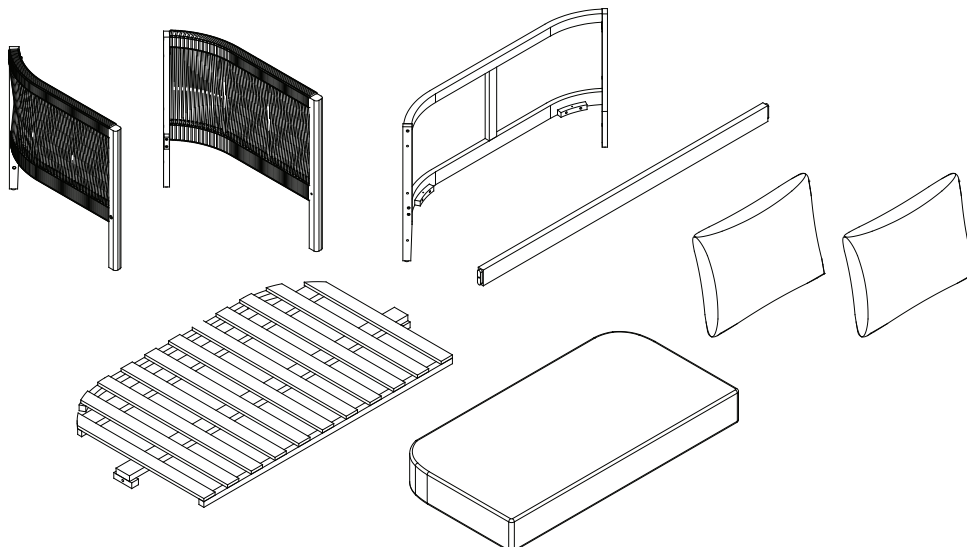
Assembly Steps

Overview



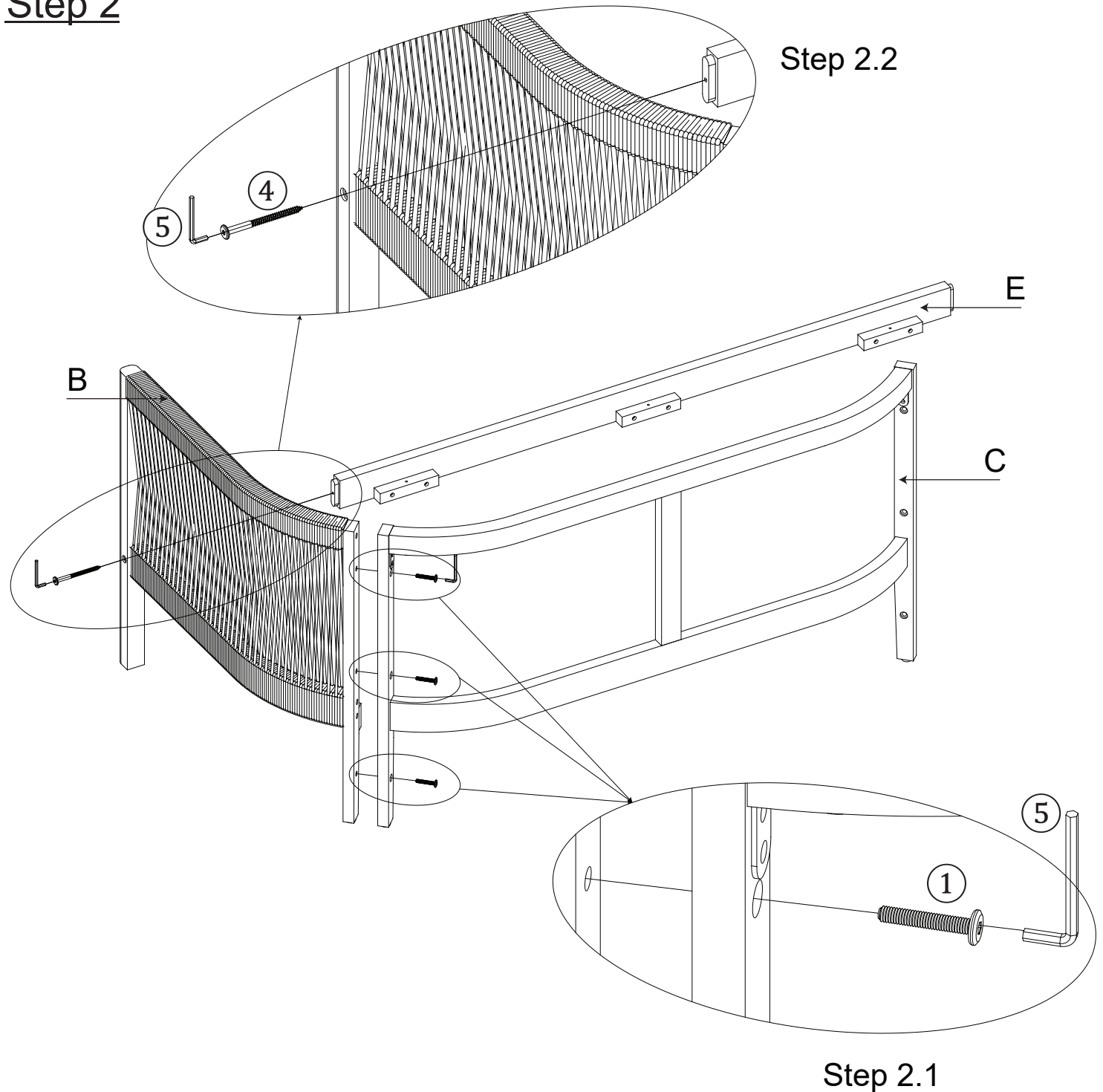
This Loveseat has multiple parts and may require up to 30 minutes to assemble. To give you an overview of the Loveseat parts, the above picture is to help you put the various parts into perspective. Please read through the instructions below to familiarise yourself with the parts and steps before assembly.

Step 1



Unpack and place all parts on a clean, non-marring surface.

Step 2



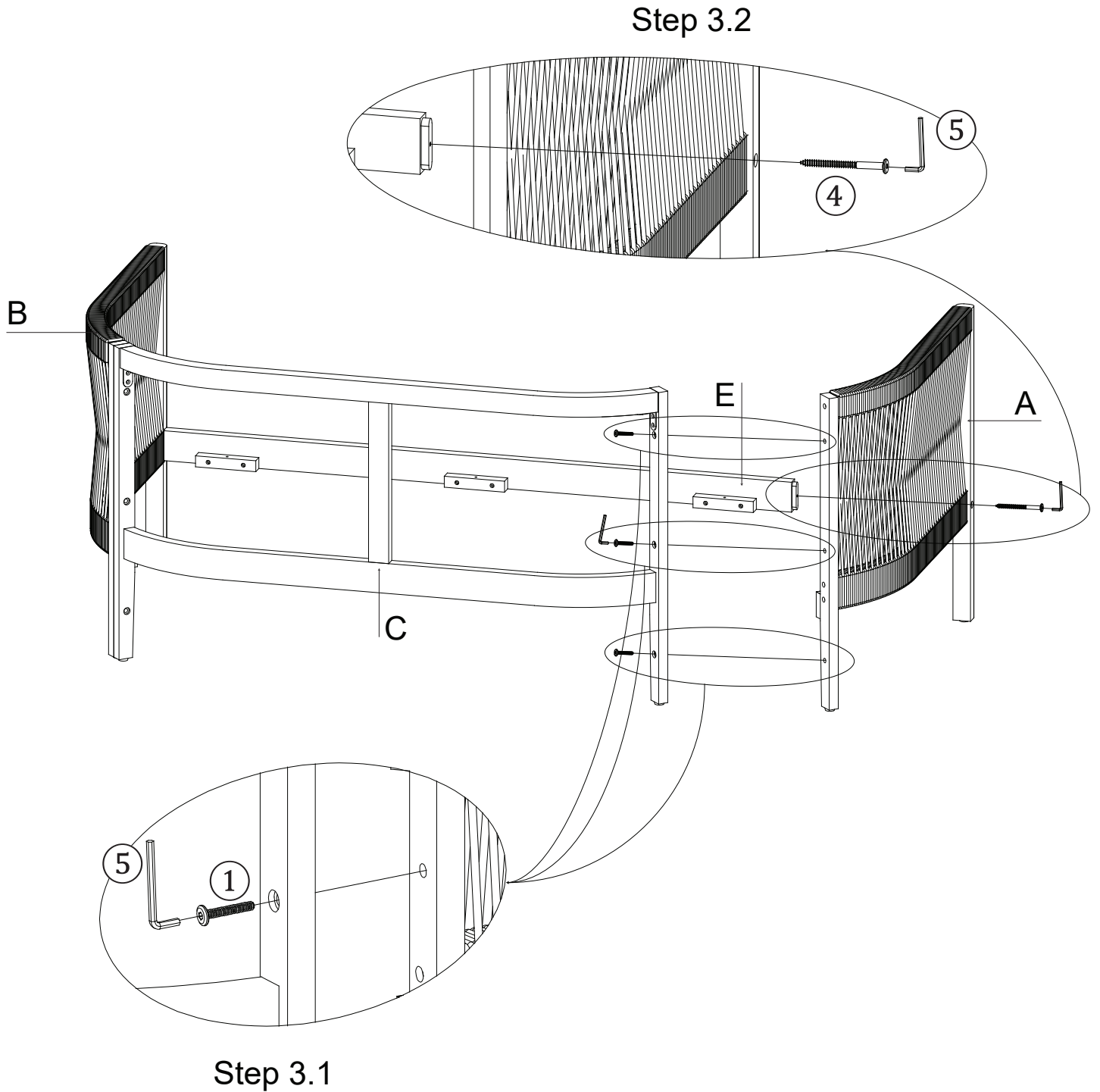
Place the Right Leg Panel (B), Backrest Panel (C) and Support Panel (E) facedown on a clean, non-marring surface as shown above. With assistance from your adult partner:

2.1. Attach the Backrest Panel (C) to the Right Leg Panel (B) using Bolts (1) and the Allen Wrench (5).

2.2. Attach the Support Panel (E) to the Right Leg Panel (B) using Screws (4) and the Allen Wrench (5).

Do not fully tighten the Bolts and Screws.

Step 3

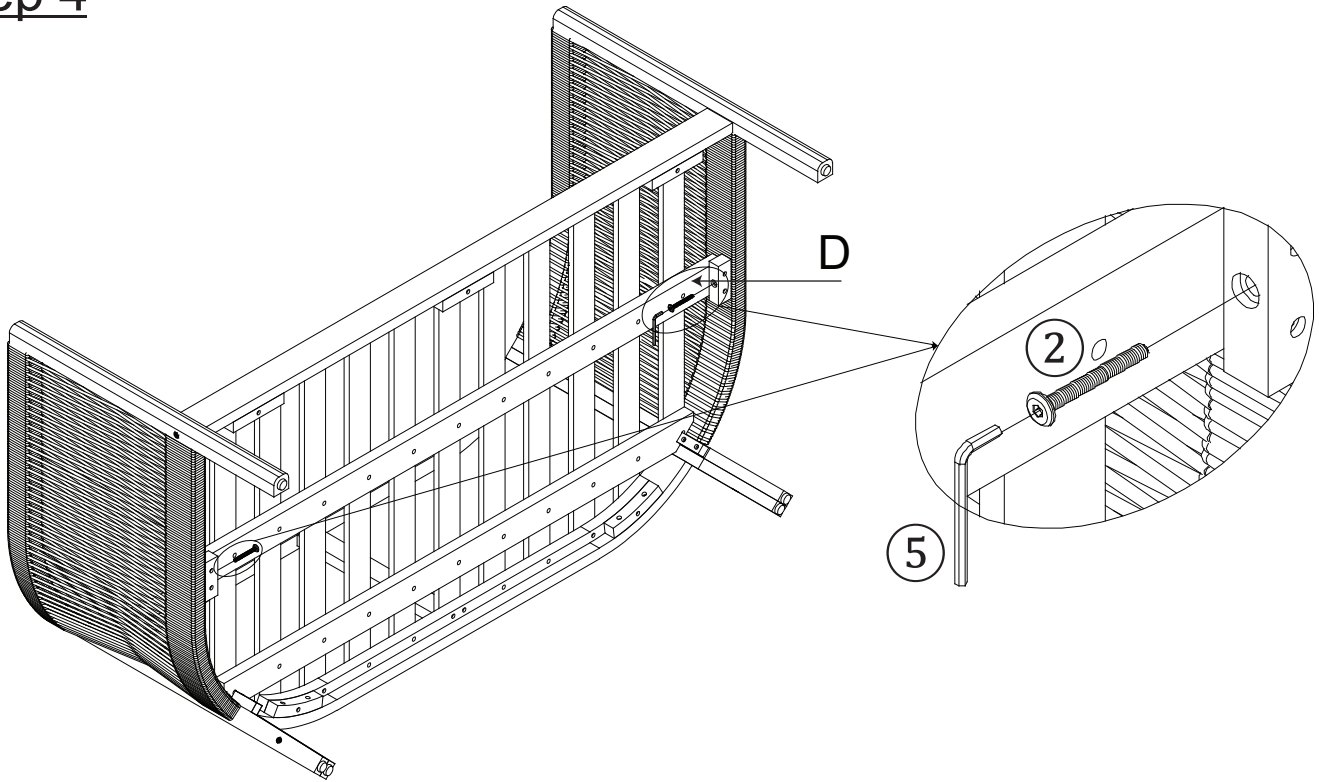


3.1. Attach the assembled parts from Step 2 to the Left Leg Panel (A) using the Bolts (1) and the Allen Wrench (5).

3.2. Attach the Left Leg Panel (A) to the Support Panel (E) using Screws (4) and the Allen Wrench (5).

Do not fully tighten the Bolts and Screws.

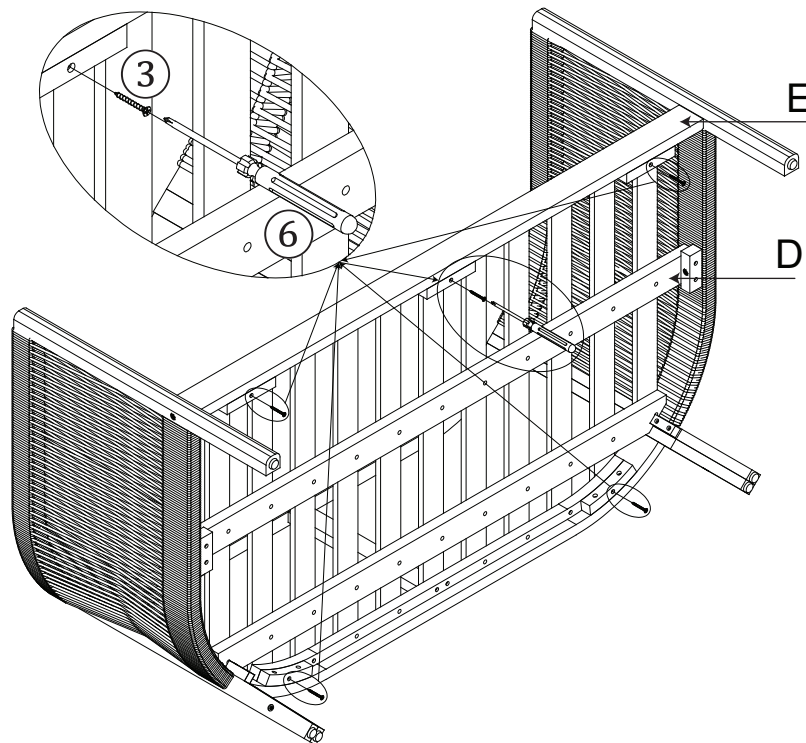
Step 4



Attach the assembled parts from Step 3 onto the Seat Panel (D) using the Bolts (2) with the Allen Wrench (5) as shown above.

Do not fully tighten the Bolts.

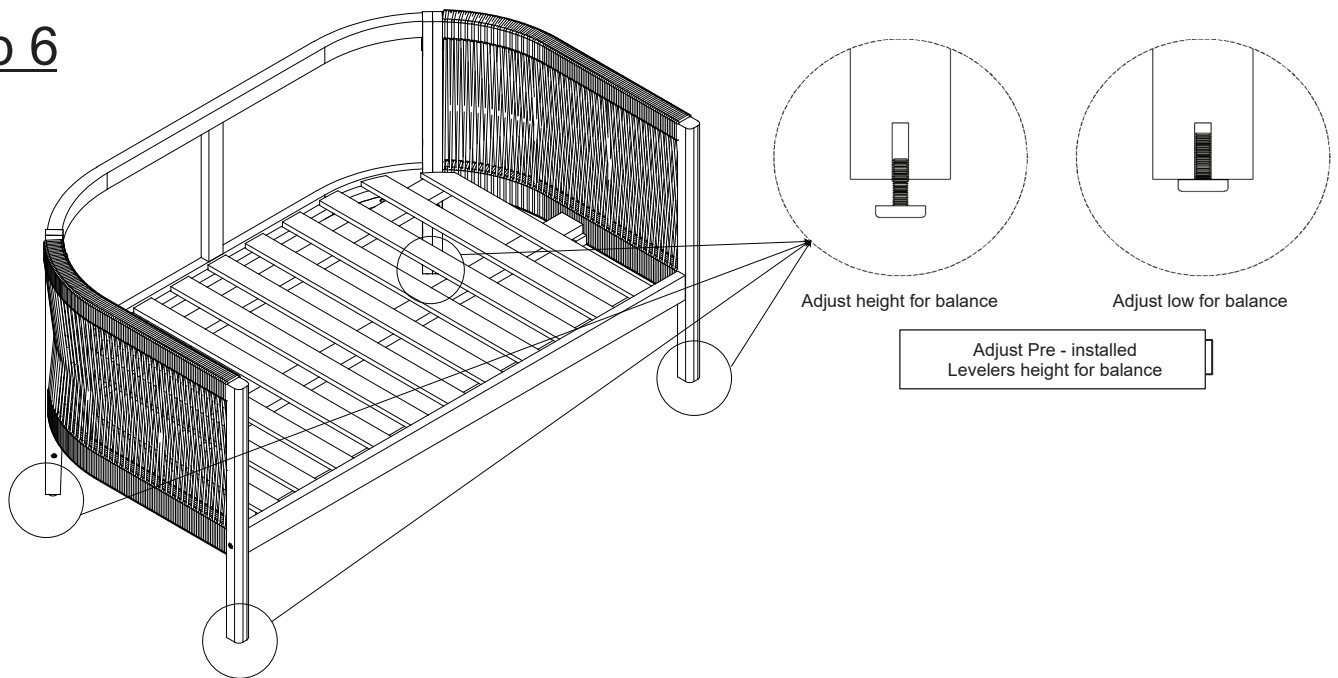
Step 5



Attach the assembled parts from Step 4 onto the Seat Panel (D) and Support Panel (E) using the Screws (3) with the Screwdrivers (not provided), as shown above.

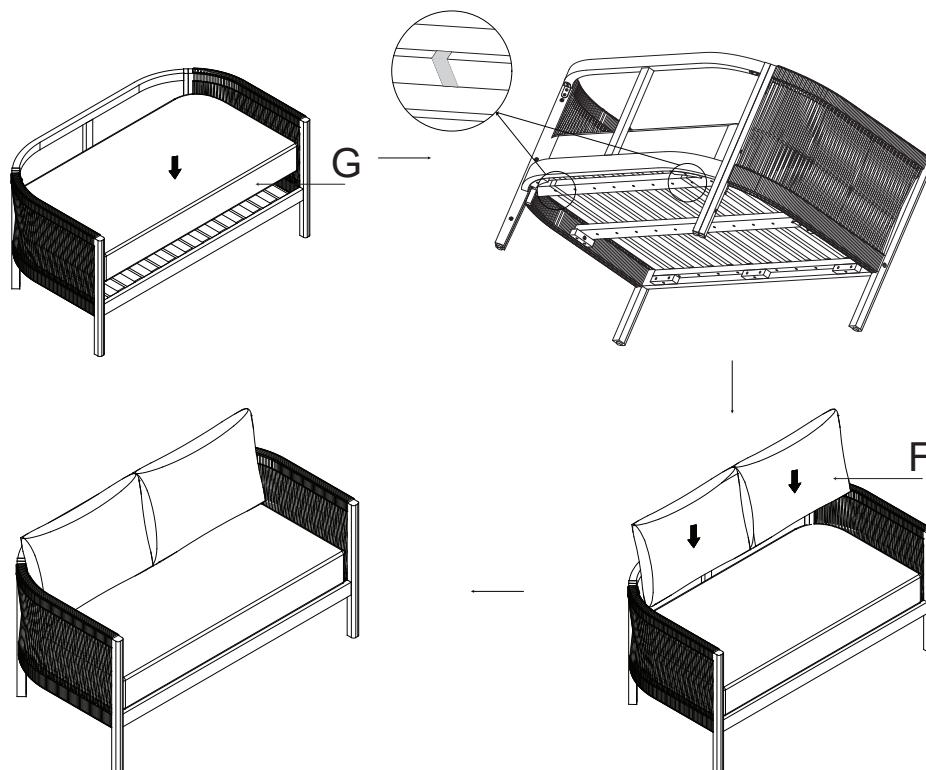
Do not fully tighten the Bolts and Screws.

Step 6



Turn the Loveseat right side up.
EXERT pressure, floorwards onto the Loveseat with both hands.
This pressure will help the Loveseat reach full alignment at all joints.
Check for wobbles.
Inspect the Loveseat and make sure all parts are adequately connected.
In a sequential manner, tighten ALL Bolts at ALL joints.

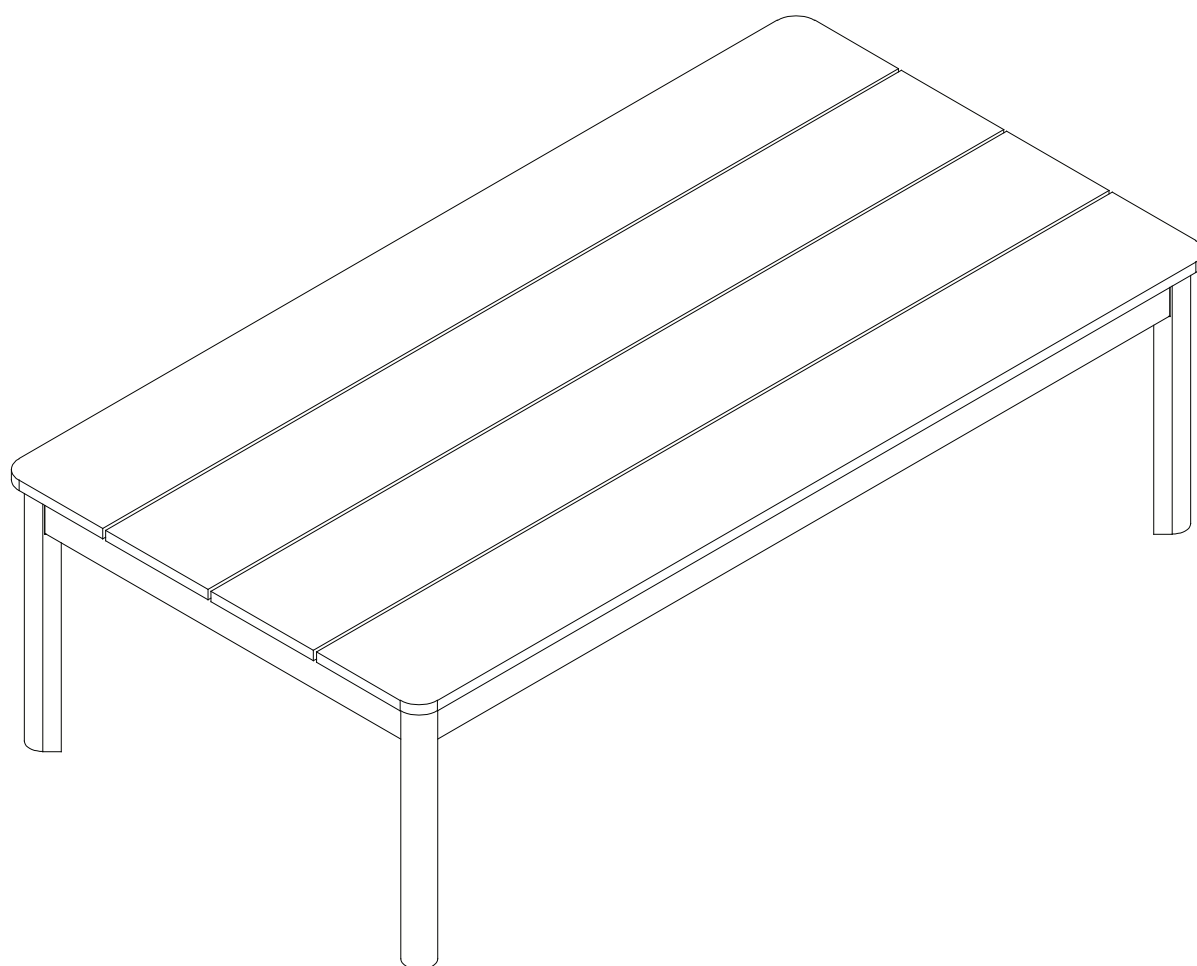
Step 7



Place the Seat Cushion (G) onto the Loveseat and affix the magic tape straps around the Loveseat as shown above.
Then place the Back Pillow (F) onto the Loveseat.
Your Loveseat is ready to be used.
This Loveseat can only be used on a flat, level surface.

Please look underneath the Table Top for hardware packs.

Table

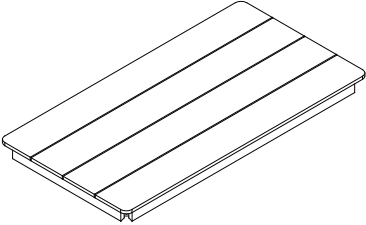



CAUTION: This Table is NOT a TOY.



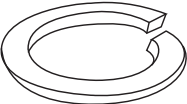
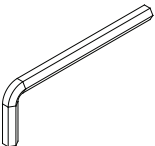
Keep your child / children at bay in the process of assembly.

For turning the Table and to prevent damage to the Table, 02 people may be needed to execute this action.

Parts List

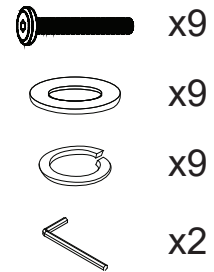
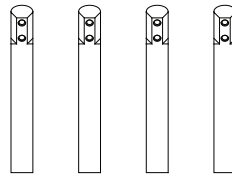
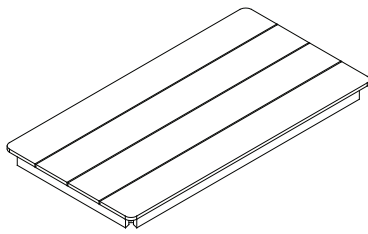
| Label | Picture | Description | QTY |
|-------|--|-------------|-----|
| H |  | Table Top | 1 |
| I |  | Leg | 4 |

Hardware

| Label | Picture | Description | QTY |
|-------|---|------------------|-----|
| ⑦ |  | Bolt (M6 x 55mm) | 9 |
| ⑧ |  | Washer | 9 |
| ⑨ |  | Spring Washer | 9 |
| ⑩ |  | Allen Wrench | 2 |

Assembly Preparation

Before Beginning Assembly:



- Read instructions, cover to cover.



- Have 2 adults on hand for assembly.



- Do not assemble on flooring or carpet.



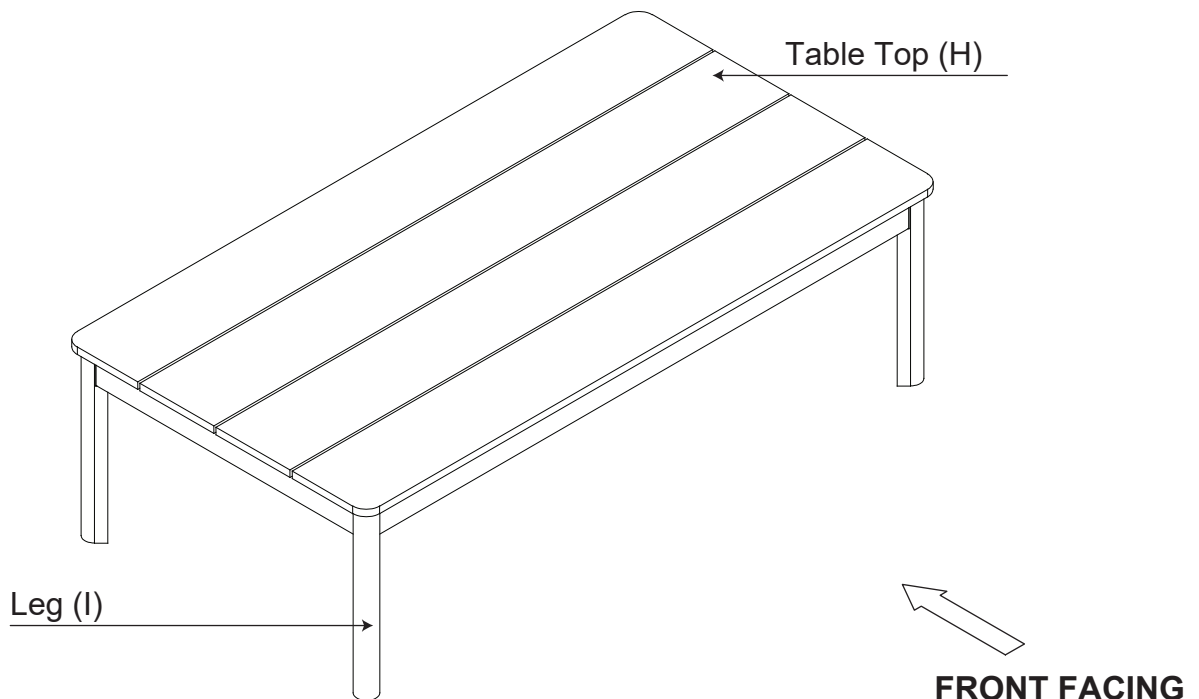
- Assemble on a clean non-marring surface (packing foam).



- Save all packaging until finished.

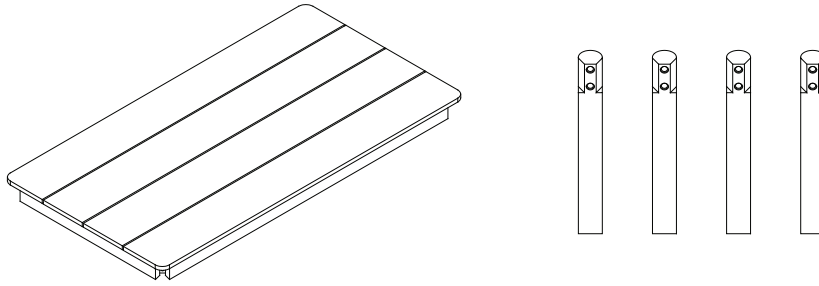
Assembly Steps

Overview



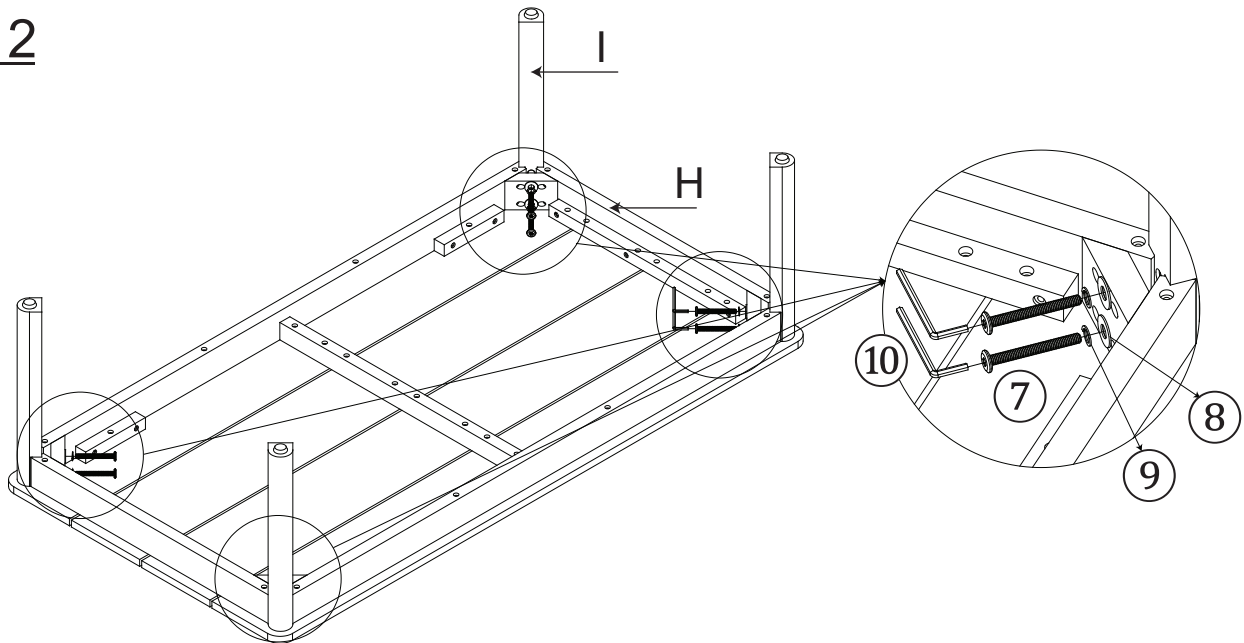
This Table has multiple parts and may require up to 30 minutes to assemble. To give you an overview of the Table parts, the above picture is to help you put the various parts into perspective. Please read through the instructions here below to familiarise yourself with the parts and steps before assembly.

Step 1



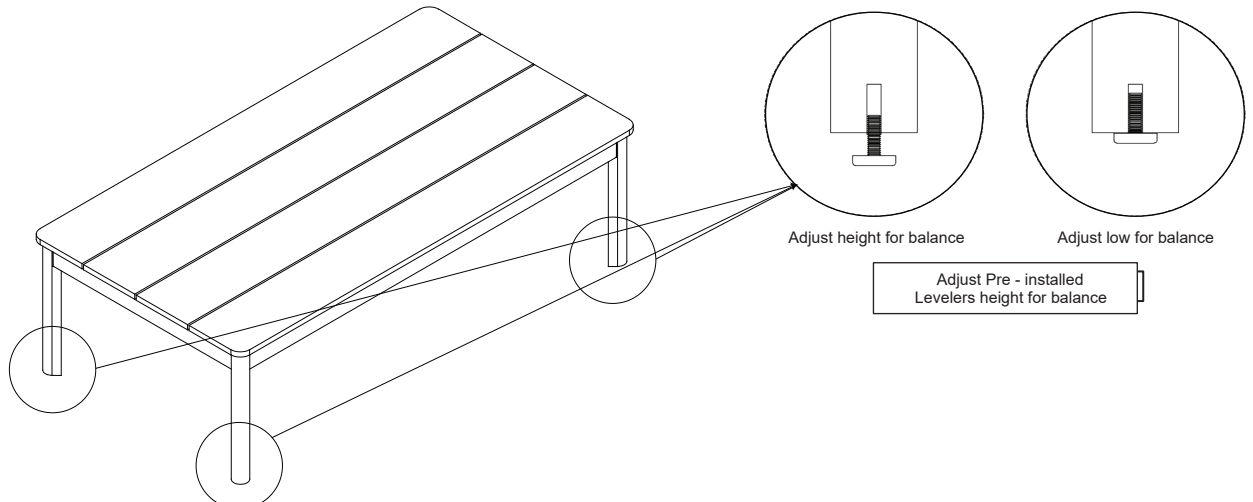
Unpack and place all parts on a clean, non-marring surface.

Step 2



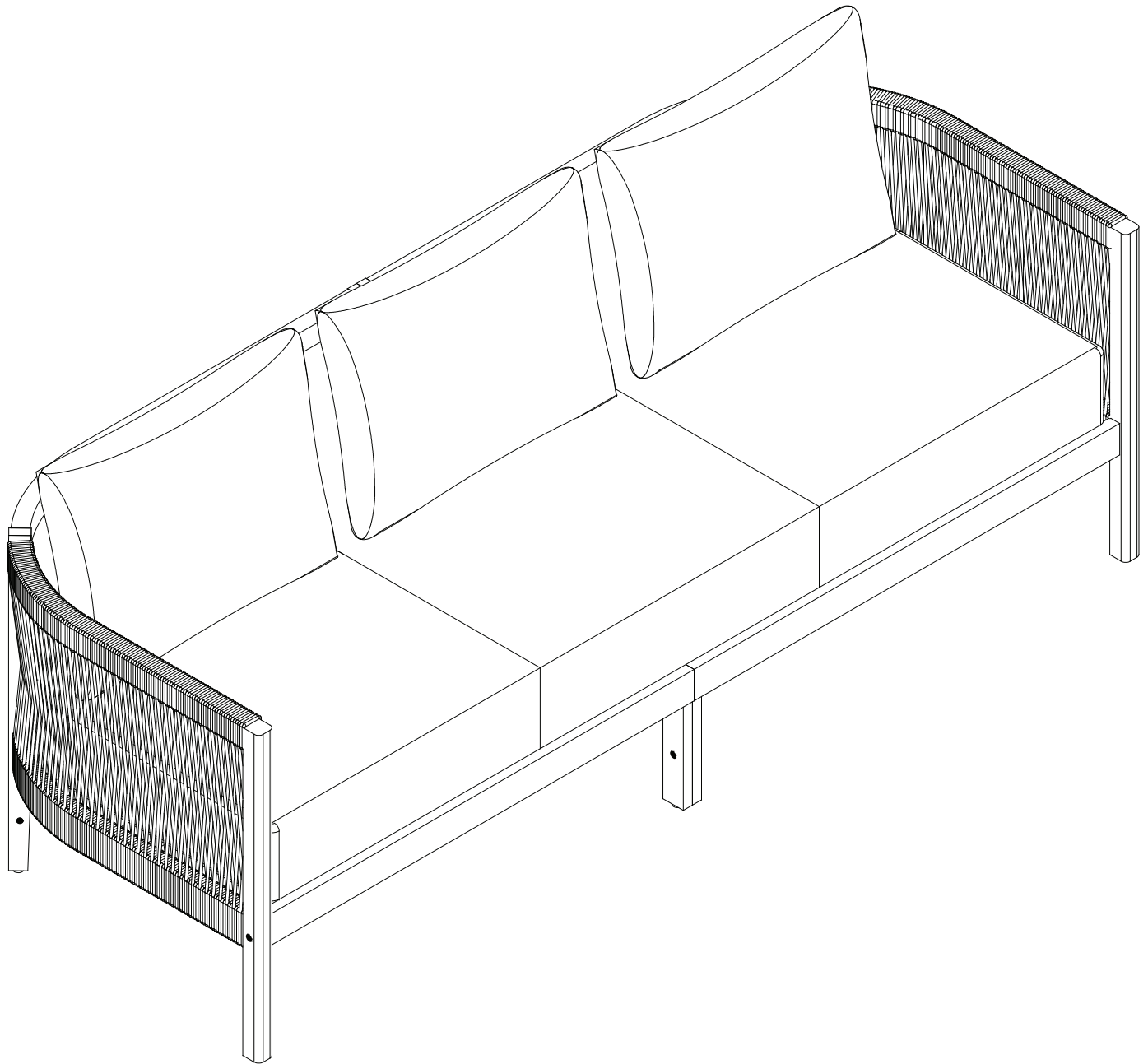
Place the Table Top (H) facedown onto a clean, non-marring surface. First, insert the Legs (I) into the mounting positions on the Table Top (H), then secure them using Washers (8), Spring Washers (9), Bolts (7), and the Allen Wrench (10) as shown above. Repeat the same process with the remaining Legs (I). **Do not fully tighten the Bolts.**

Step 3



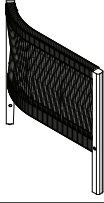
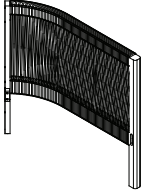
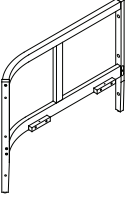
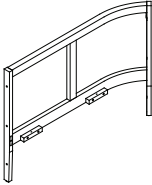
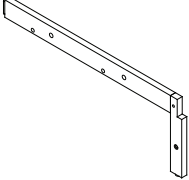
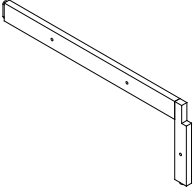
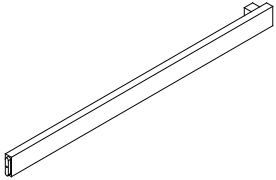
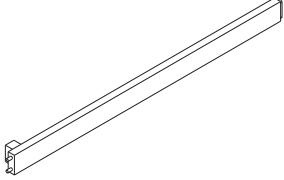
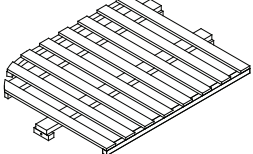
Please look under the Seat Panel for hardware pack.

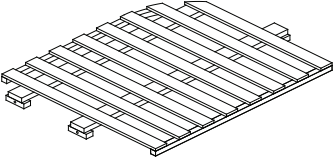
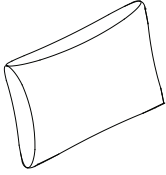
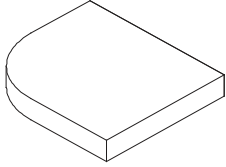
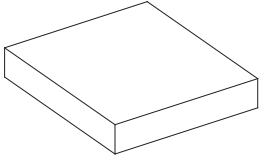
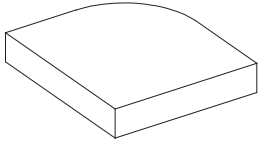
Bench





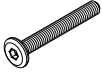



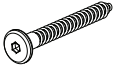

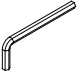

CAUTION: This Bench is NOT a TOY
Keep your child/children at bay during the assembly process.
Whenever moving/lifting the Bench and to prevent damage to the Bench two adults are needed to execute these actions.

Parts List

| Label | Picture | Description | QTY |
|-------|---|------------------------|-----|
| A |  | Left Leg Panel | 1 |
| B |  | Right Leg Panel | 1 |
| C |  | Left Backrest Panel | 1 |
| D |  | Right Backrest Panel | 1 |
| E |  | Left Leg Middle Panel | 1 |
| F |  | Right Leg Middle Panel | 1 |
| G |  | Left Support Panel | 1 |
| H |  | Right Support Panel | 1 |
| I |  | Left Seat Panel | 1 |

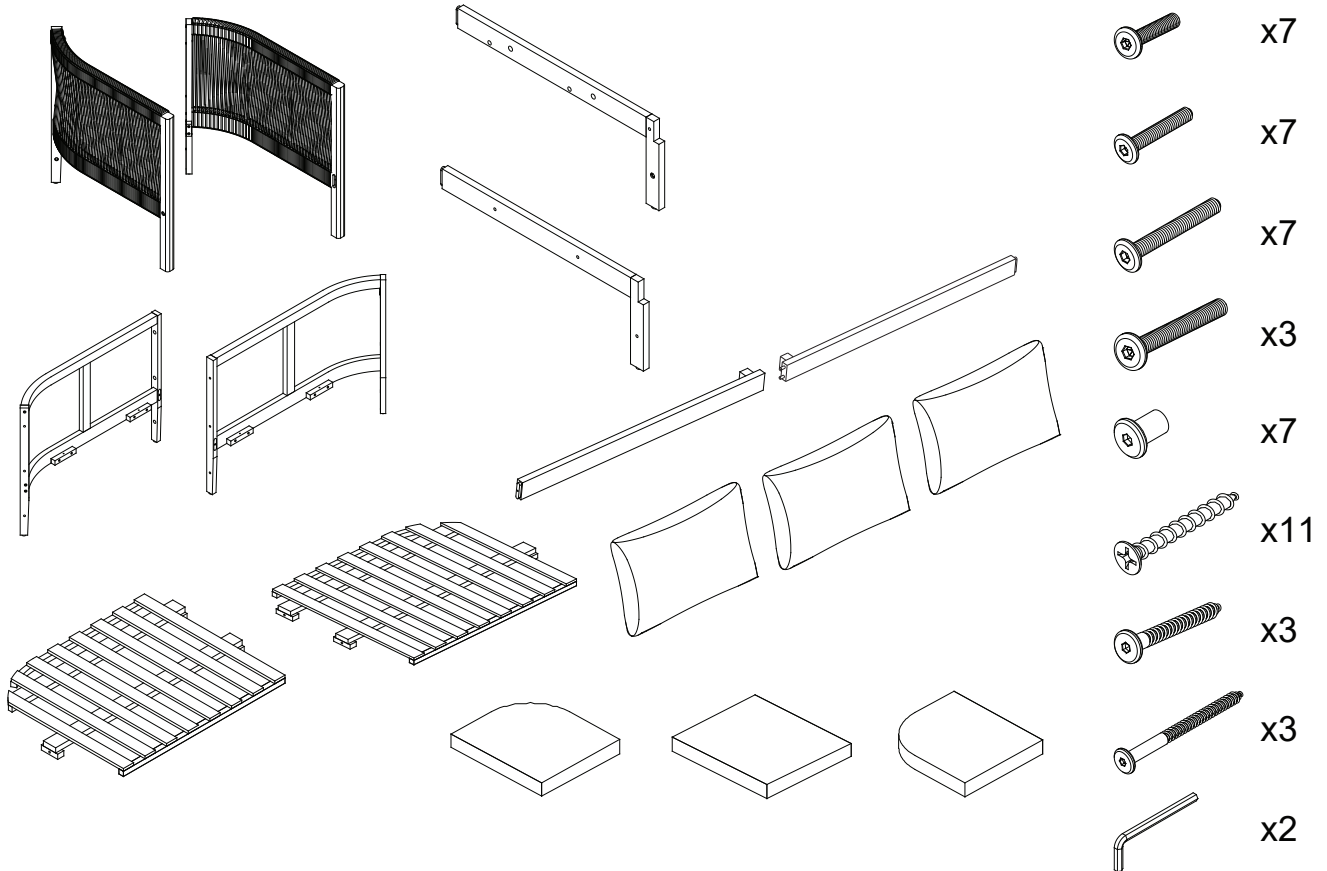
| | | | |
|---|--|---------------------|---|
| J |  | Right Seat Panel | 1 |
| K |  | Back Pillow | 3 |
| L |  | Left Seat Cushion | 1 |
| M |  | Middle Seat Cushion | 1 |
| N |  | Right Seat Cushion | 1 |

Hardware

| Label | Picture | Description | QTY |
|-------|---|-----------------------------|-----|
| ① |  | Bolt (M6x30mm) | 7 |
| ② |  | Bolt (M6x35mm) | 7 |
| ③ |  | Bolt (M6x45mm) | 7 |
| ④ |  | Bolt (M6x50mm) | 3 |
| ⑤ |  | Sleeve Nut (M6x18mm) | 7 |
| ⑥ |  | Screw (M4x35mm) | 11 |
| ⑦ |  | Screw (M6x80mm) | 3 |
| ⑧ |  | Screw (M7x90mm) | 3 |
| ⑨ |  | Allen Wrench | 2 |
| ⑩ |  | Screwdrivers (not provided) | 1 |

Assembly Preparation

Before Beginning Assembly:



- Read instructions, cover to cover.



- Have 2 adults on hand for assembly.



- Do not assemble on flooring or carpet.



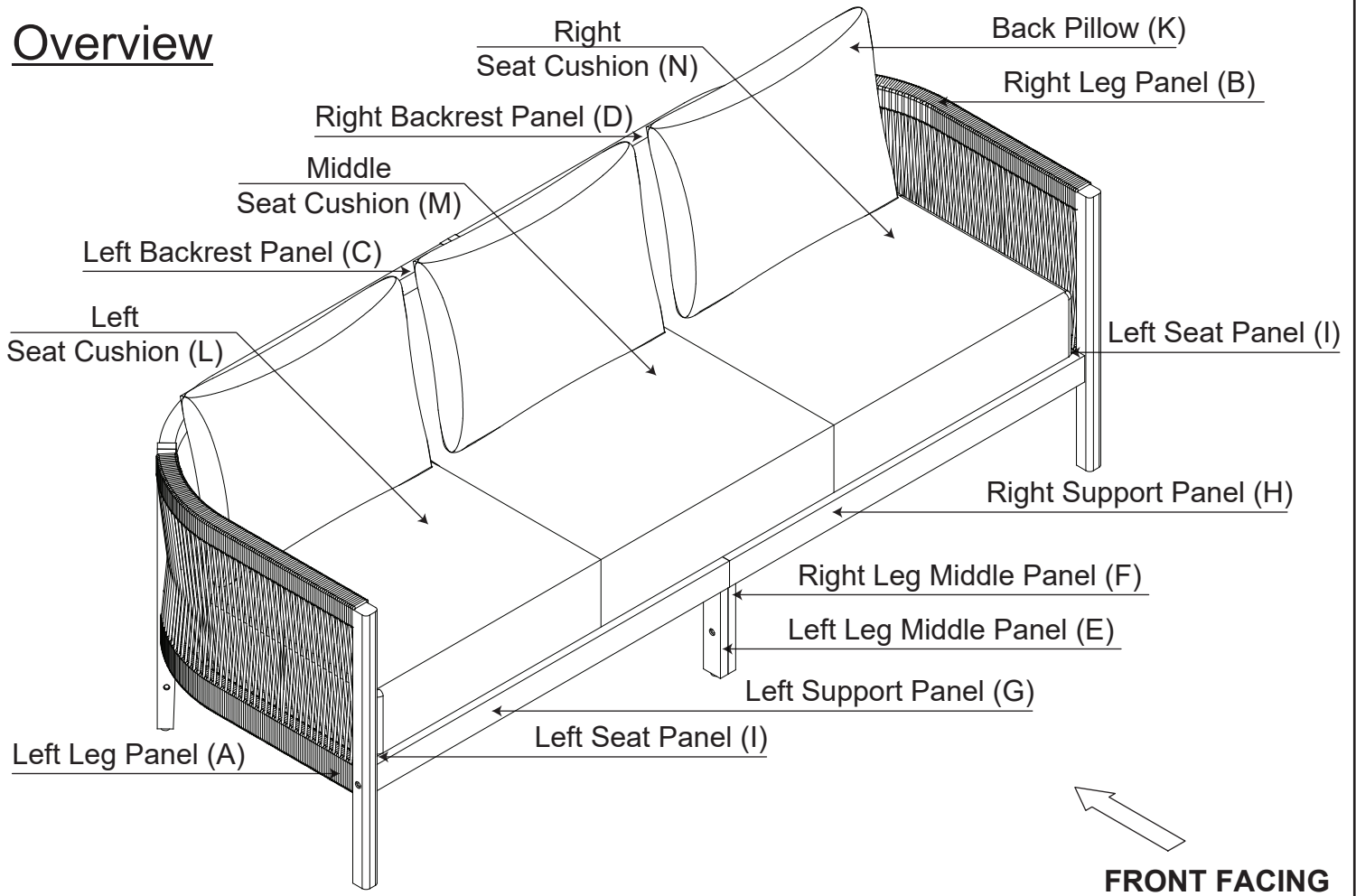
- Assemble on a clean non-marring surface (packing foam).



- Save all packaging until finished.

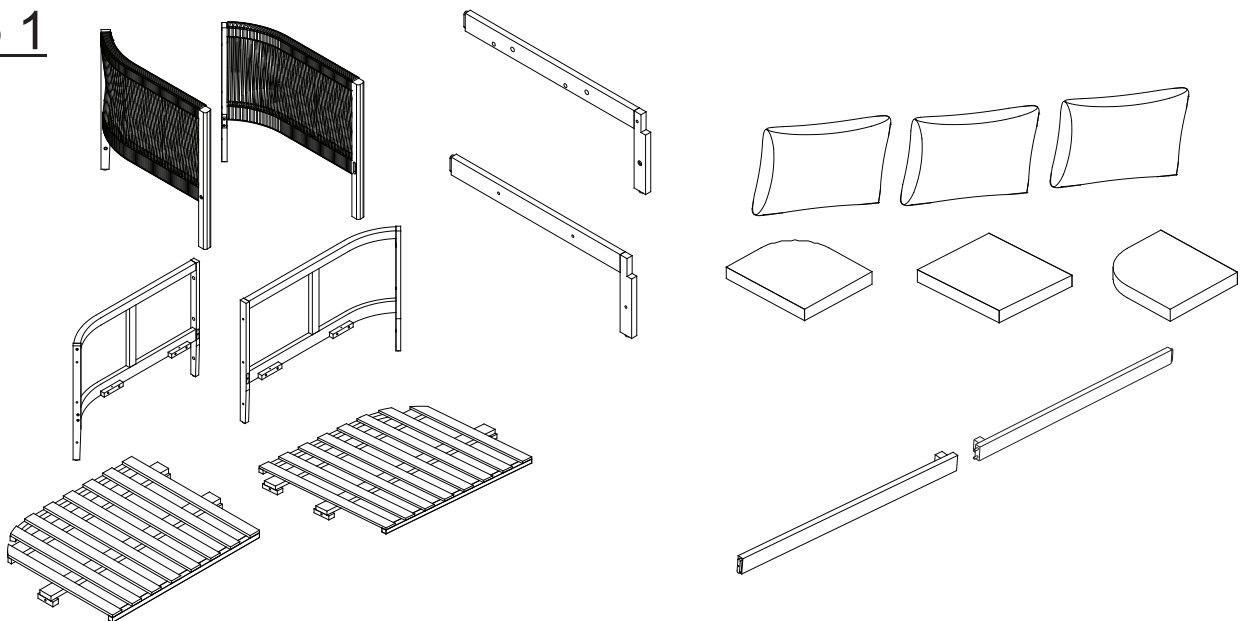
Assembly Steps

Overview



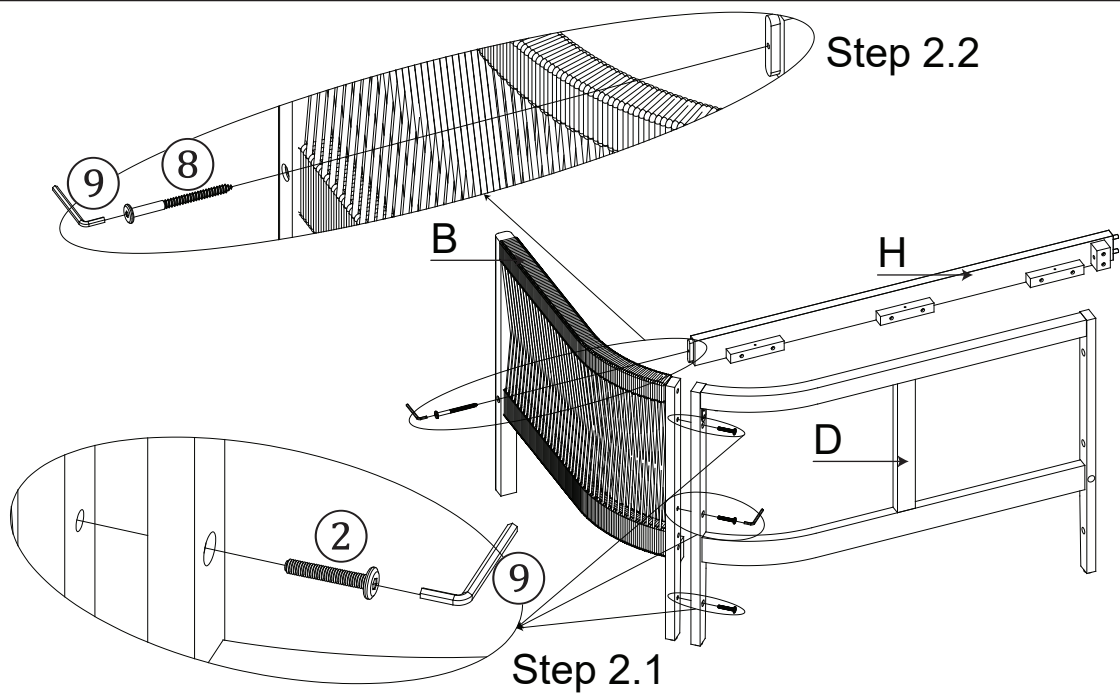
This Bench has multiple parts and may require up to 30 minutes to assemble. To give you an overview of the Bench parts, the above picture is to help you put the various parts into perspective. Please read through the instructions below to familiarise yourself with the parts and steps before assembly.

Step 1



Unpack and place all parts on a clean, non-marring surface.

Step 2



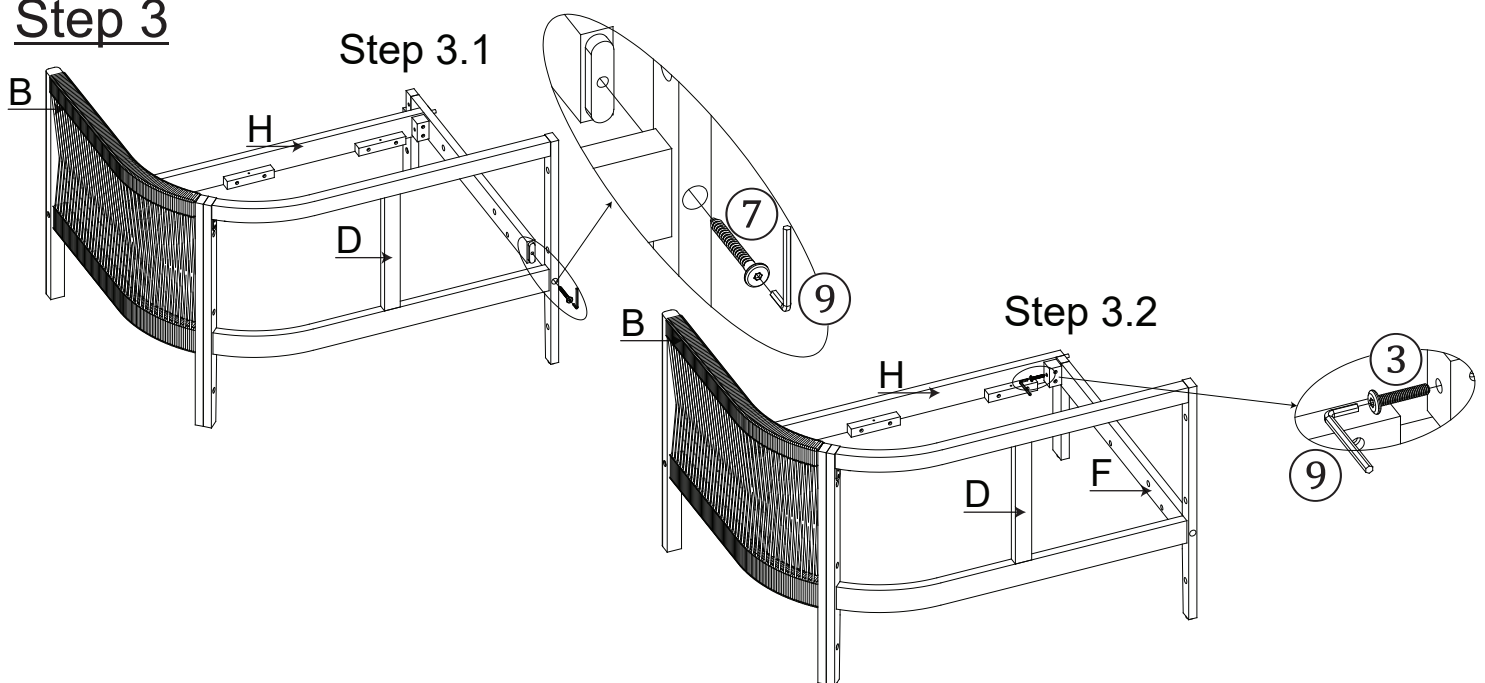
Place the Right Leg Panel (B), Right Backrest Panel (D), Right Support Panel (H) facedown on a clean, non-marring surface as shown above. With assistance from your adult partner:

2.1. Attach the Right Backrest Panel (D) to the Right Leg Panel (B) using Bolts (2) and the Allen Wrench (9).

2.2. Attach the Right Backrest Panel (D) to the Right Leg Panel (B) using Screws (8) and the Allen Wrench (9).

Do not fully tighten the Bolts and Screws.

Step 3

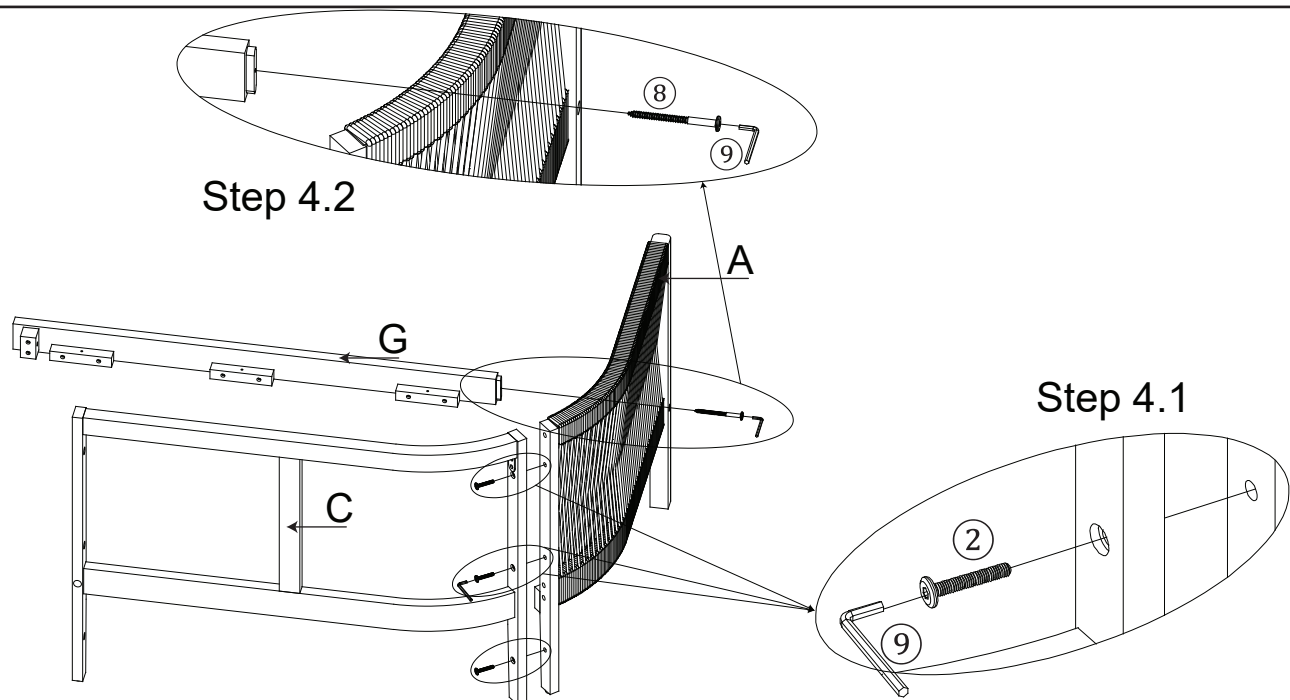


3.1. Attach the assembled parts from Step 2 to the Right Leg Middle Panel (F) using the Bolts (3) and the Allen Wrench (9).

3.2. Attach the assembled parts from Step 2 to the Right Leg Middle Panel (F) using the Screws (7) and the Allen Wrench (9).

Do not fully tighten the Bolts and Screws.

Step 4



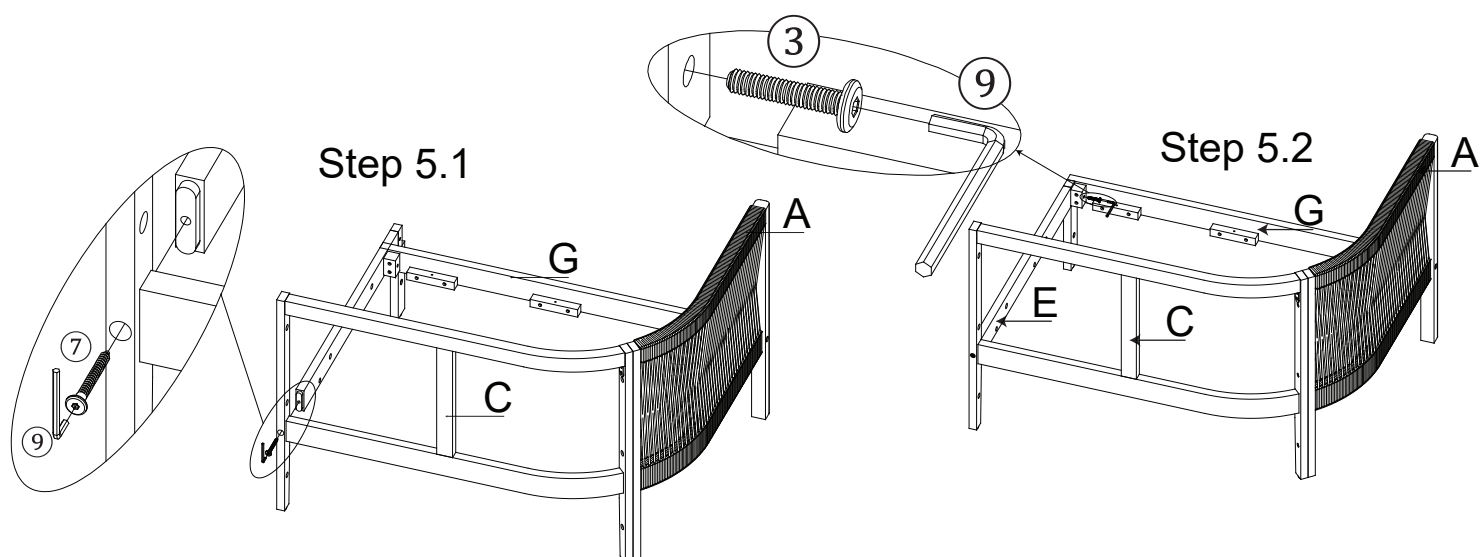
Place the Left Leg Panel (A), Left Backrest Panel (C), Left Support Panel (G) facedown on a clean, non-marring surface as shown above. With assistance from your adult partner:

2.1. Attach the Left Backrest Panel (C) to the Left Leg Panel (A) using Bolts (2) and the Allen Wrench (9).

2.2. Attach the Left Backrest Panel (C) to the Left Leg Panel (A) using Screws (8) and the Allen Wrench (9).

Do not fully tighten the Bolts and Screws.

Step 5

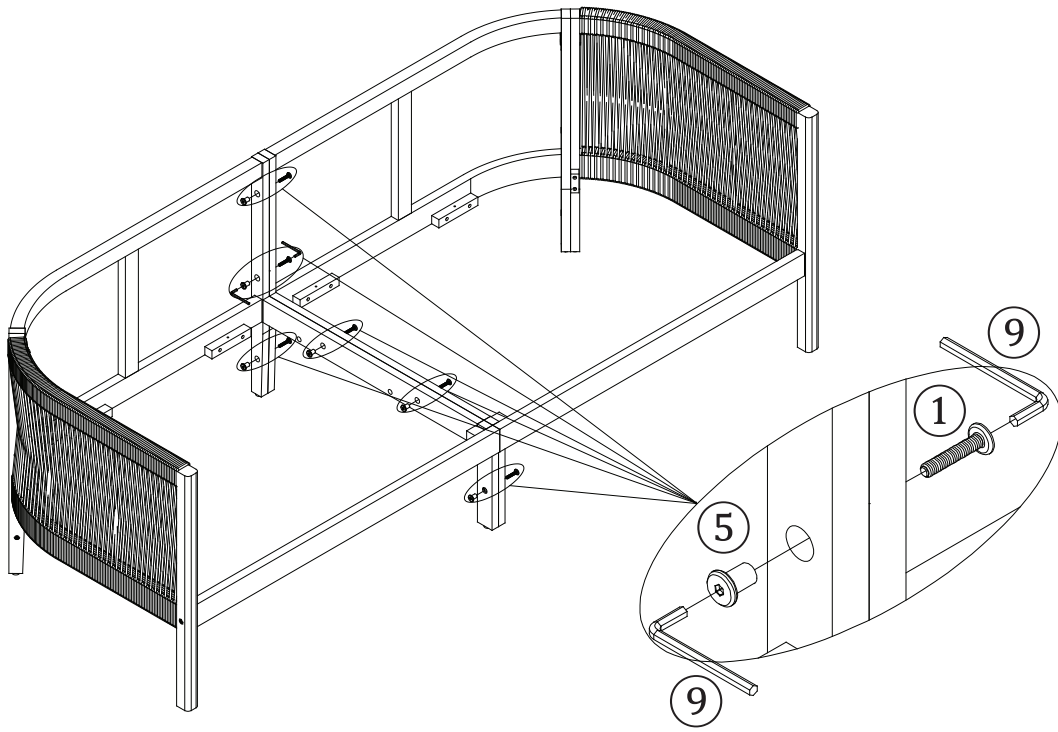


5.1. Attach the assembled parts from Step 4 to the Left Leg Middle Panel (E) using the Bolts (3) and the Allen Wrench (9).

5.2. Attach the assembled parts from Step 4 to the Left Leg Middle Panel (E) using the Screws (7) and the Allen Wrench (9).

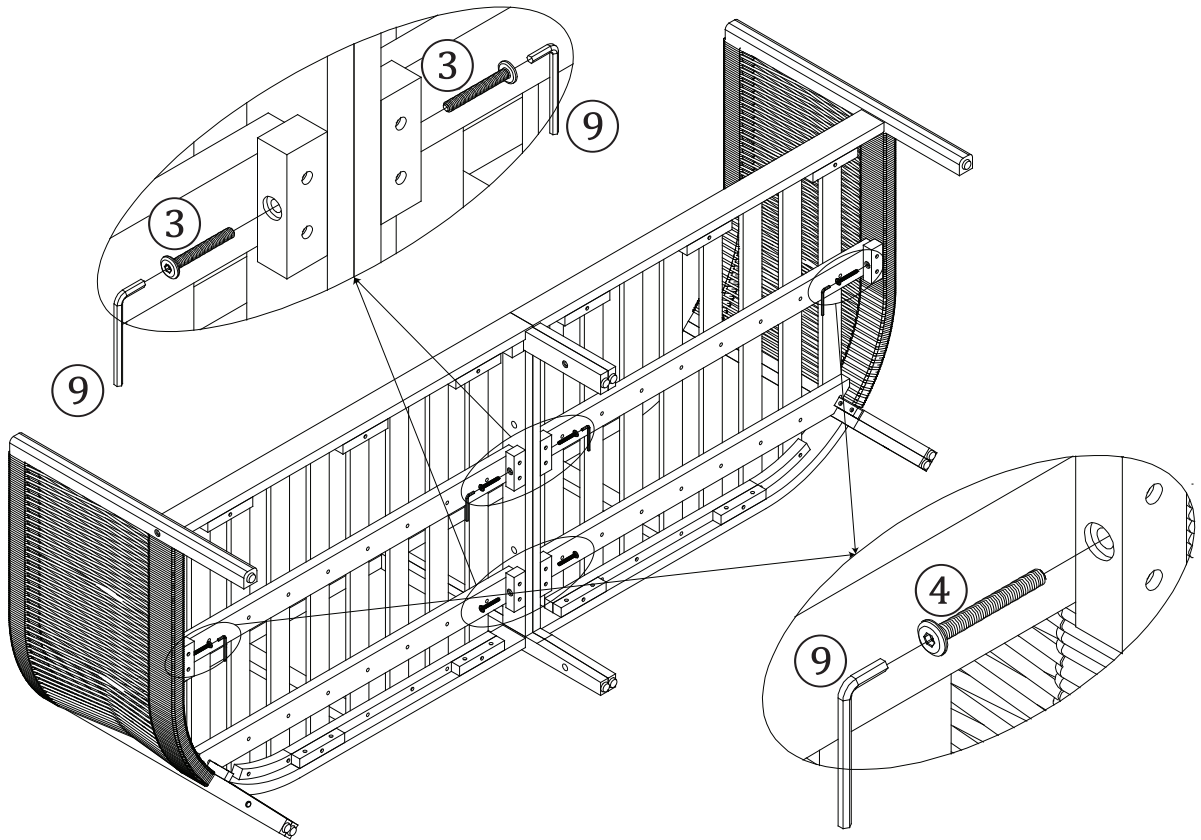
Do not fully tighten the Bolts and Screws.

Step 6



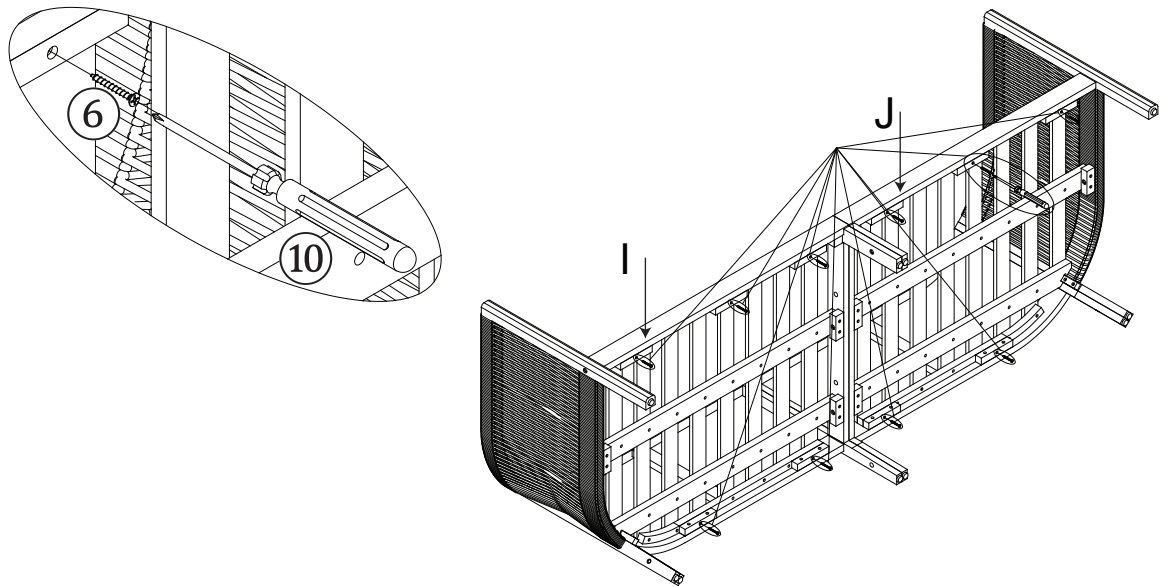
Attach the assembled parts from Step 3 to the assembled parts from Step 5 using the Bolts (1), Sleeve Nut (5) and the Allen Wrench (9).
Do not fully tighten the Bolts.

Step 7



Using the Bolts (3), (4) and the Allen Wrench (9) to secure the assembled parts from Step 6 as shown above.
Do not fully tighten the Bolts.

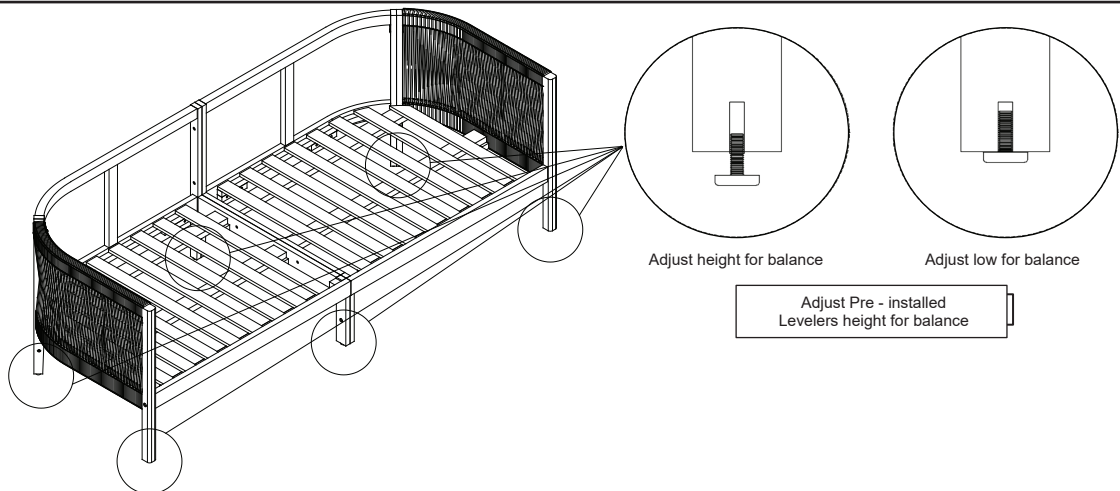
Step 8



Using the Screws (6) and the Screwdrivers (not provided) (10) to secure the assembled parts from Step 7 as shown above.

Do not fully tighten the Screws.

Step 9



With assistance from your adult partners, turn the Bench over.
EXERT pressure, floorwards onto the Bench with both hands.
This pressure will help the Bench reach full alignment at all joints.
Check for wobbles.

In a sequential manner, gradually tighten all Bolts, Screws at all joints until evenly secured. Inspect Bench and make sure all part are adequately connect.

CAUTION: When tightening the Bolts, Screws tighten sequentially.

DO NOT tighten any Bolts, Screws fully and then move towards the next one.

This could cause the frame to warp.

If there are still wobbles, loosen the Bolts, Screws and execute the same above process.

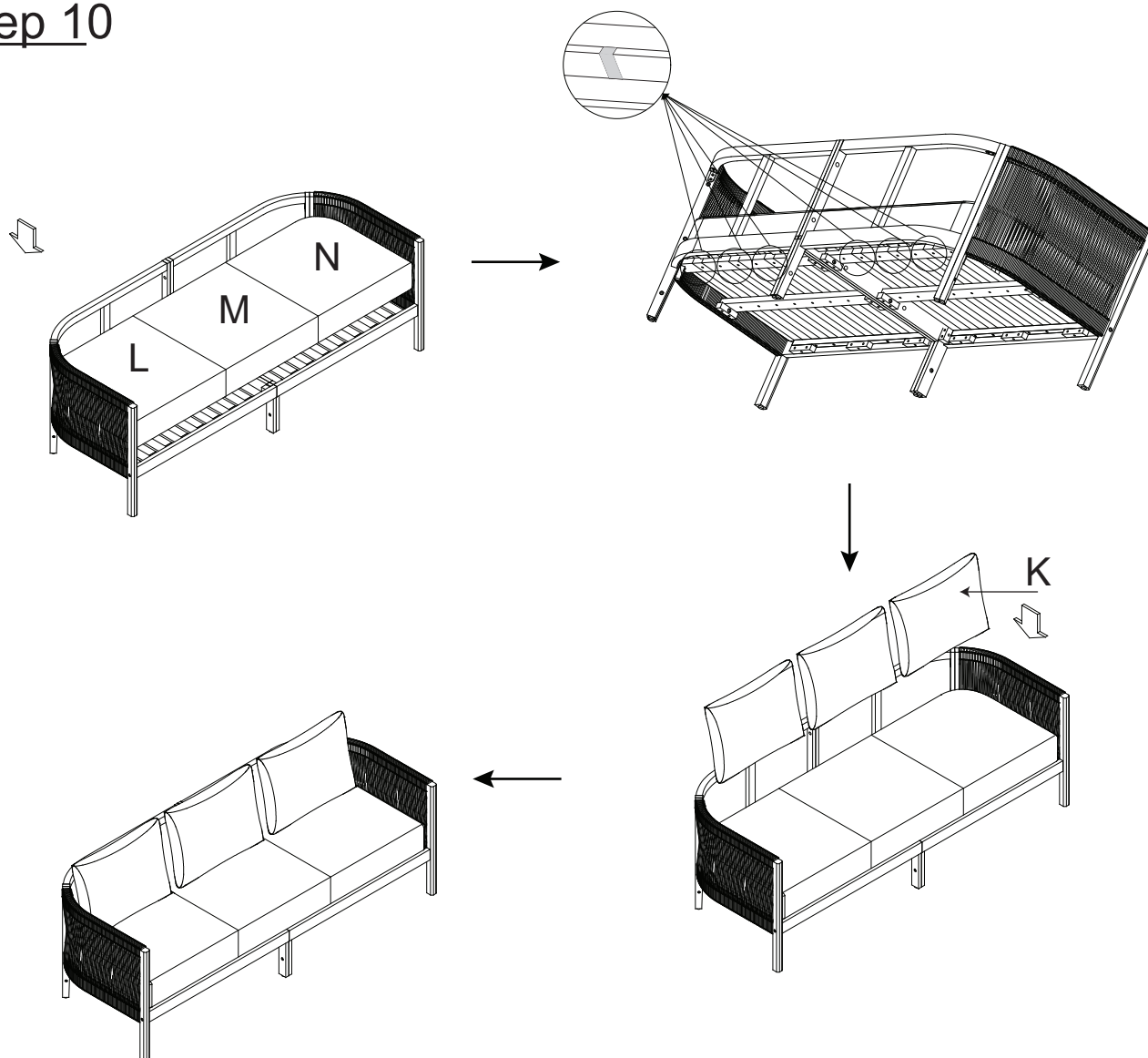
With assistance from your adult partners, adjust the Levelers to the desired height to avoid wobbles.

If the Bench is not stable, it could lead to damage to the product.

Your Bench is ready for use.

This Bench can only be used on a flat, level surface.

Step 10



Place the Left Seat Cushion (L), Middle Seat Cushion (M), Right Seat Cushion (N) onto the Bench and affix the magic tape straps around the Bench as shown above.

Then place the Back Pillow (K) onto the Bench.

Your Bench is ready to be used.

This Bench can only be used on a flat, level surface.

Questions & Answers about Proposition 65

• What is Proposition 65?

Proposition 65 requires businesses to provide warnings to Californians about significant exposures to chemicals that cause cancer, birth defects or other reproductive harm. These chemicals can be in the products that Californians purchase, in their homes or workplaces, or that are released into the environment. By requiring that this information be provided, Proposition 65 enables Californians to make informed decisions about their exposures to these chemicals. Proposition 65 also prohibits California businesses from knowingly discharging significant amounts of listed chemicals into sources of drinking water. Proposition 65 requires California to publish a list of chemicals known to cause

cancer, birth defects or other reproductive harm. This list, which must be updated at least once a year, has grown to include approximately 900 chemicals since it was first published in 1987.

- What types of chemicals are on the Proposition 65 list?

The list contains a wide range of naturally occurring and synthetic chemicals that include additives or ingredients in pesticides, common household products, food, drugs, dyes, or solvents. Listed chemicals may also be used in manufacturing and construction, or they may be byproducts of chemical processes, such as motor vehicle exhaust.

- What does a warning mean?

If a warning is placed on a product label or posted or distributed at a workplace, a business, or in rental housing, the business issuing the warning is aware or believes that it is exposing individuals to one or more listed chemicals.

By law, a warning must be given for listed chemicals unless the exposure is low enough to pose no significant risk of cancer or is significantly below levels observed to cause birth defects or other reproductive harm.