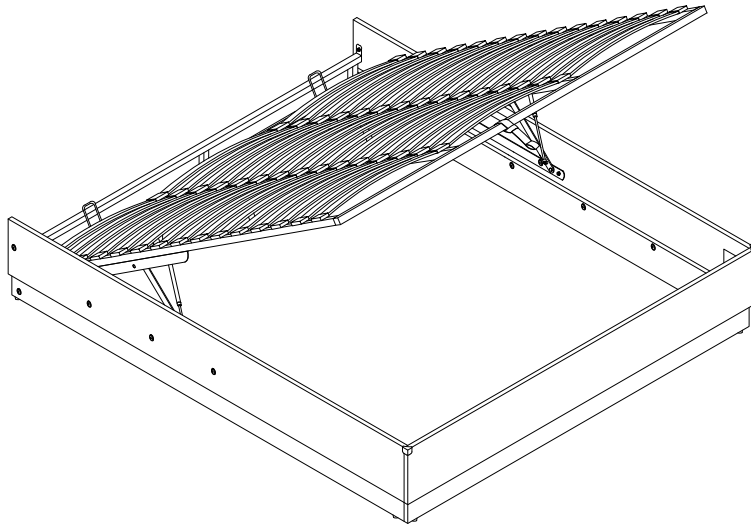


# ASSEMBLY INSTRUCTION

## King Size



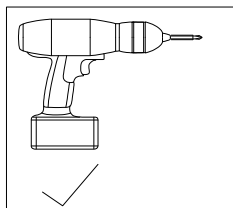
ITEM NUMBER: TJ382

### IMPORTANT NOTE

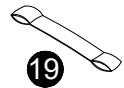
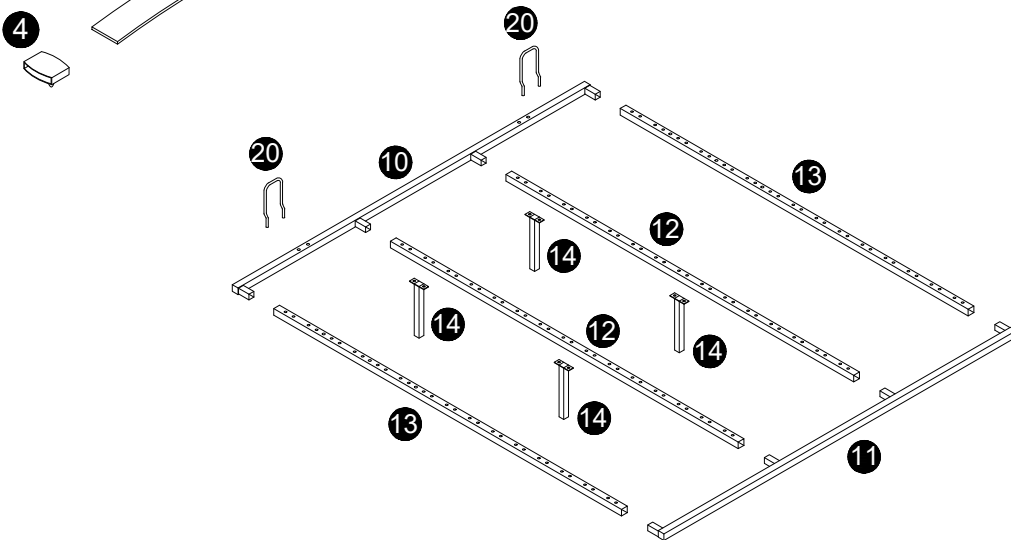
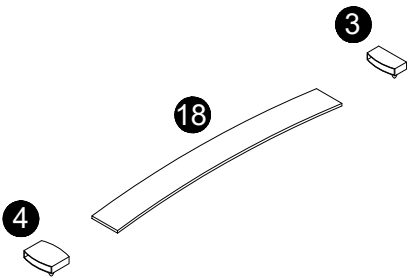
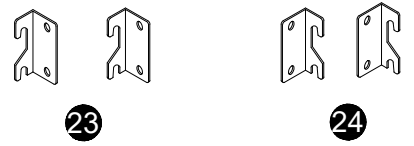
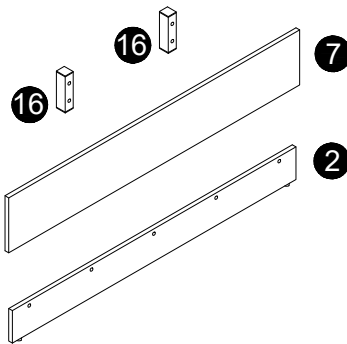
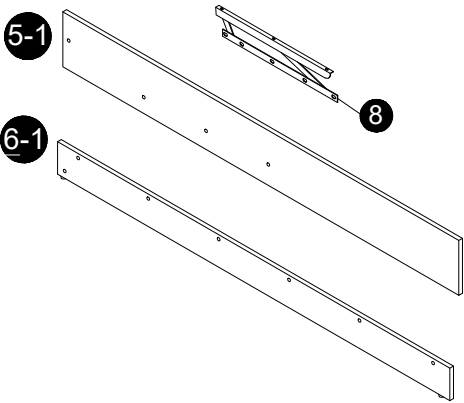
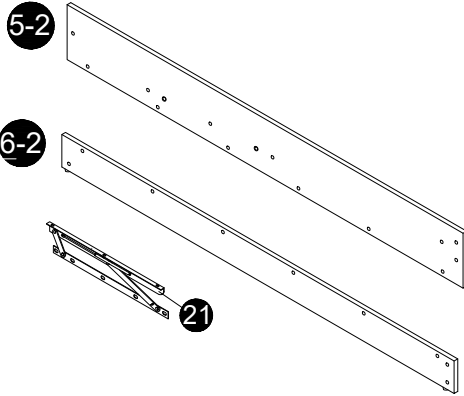
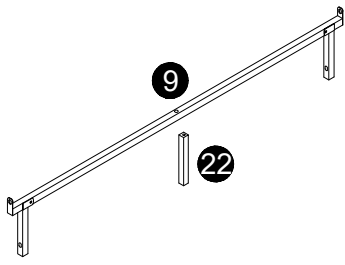
1. For the protection of your furniture, place all parts on a clean and smooth surface to prevent any damage.
2. Keep fittings out of children's reach and keep children well away from construction area.
3. When moving your assembled bed, it is best to lift the bed and never to drag it.
4. Do not use this product if parts are missing, damaged or worn.
5. This product should only be used on firm, level ground.
6. Please periodically check all fittings and re-tighten as necessary.
7. Do not use the bed unless all bolts and screws are firmly secured.
8. For further assistance, please provide a screenshot of your order and contact us via email at [happycustomerscn@hotmail.com](mailto:happycustomerscn@hotmail.com)



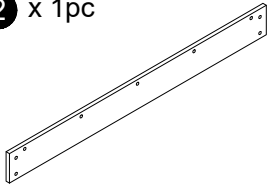
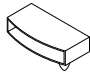
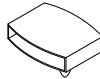
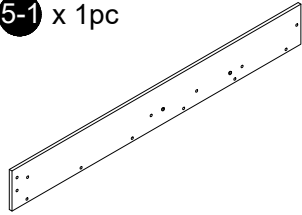
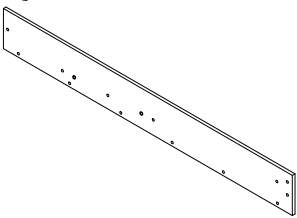
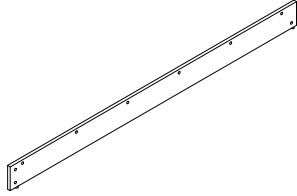
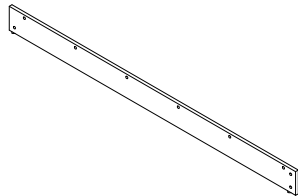
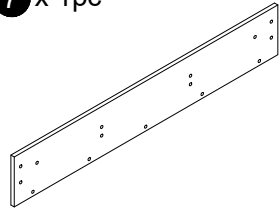
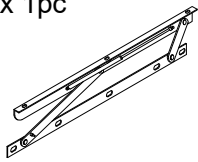
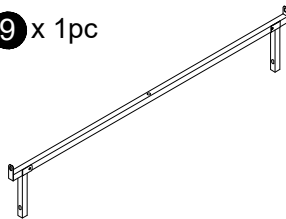
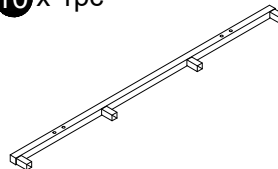
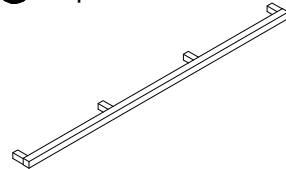
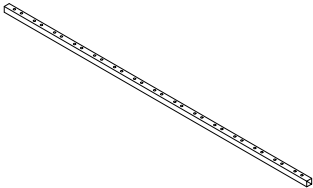
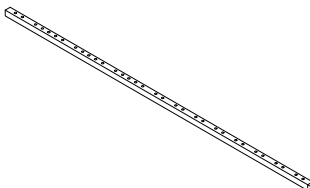
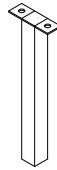


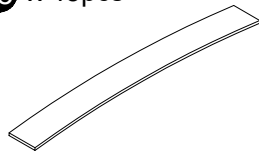
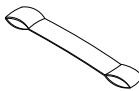

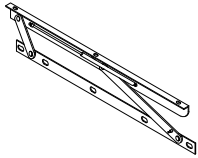

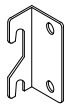

Minimum two  
person assembly




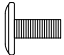



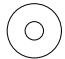



PART LIST



**PART LIST**

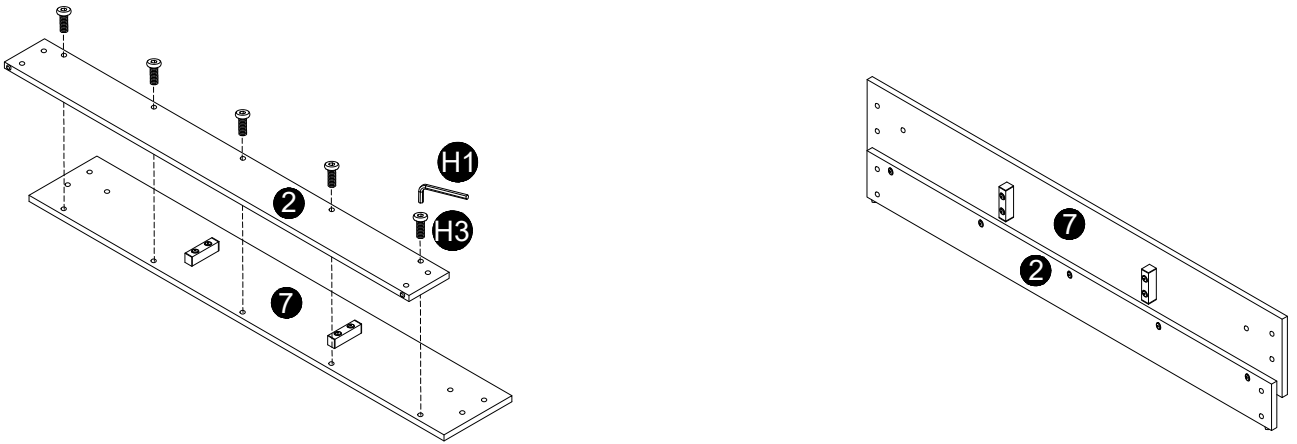
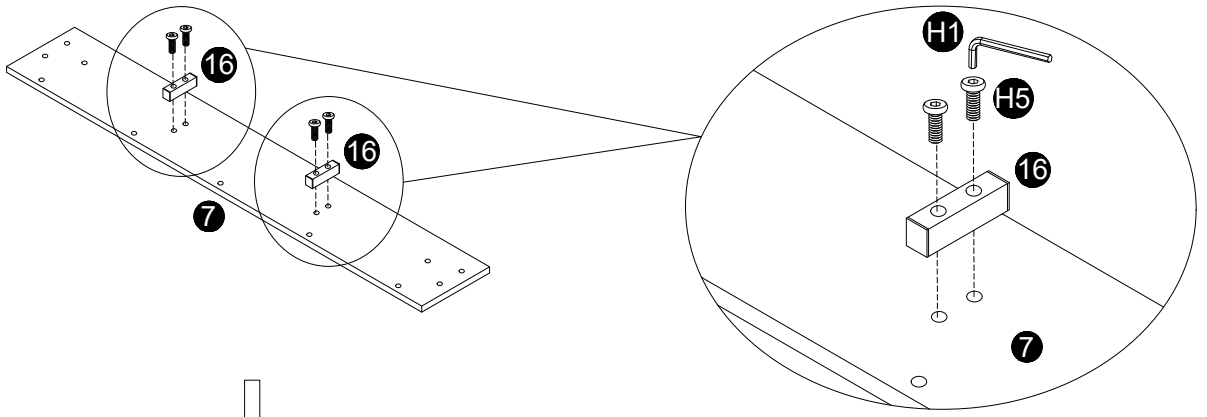
<p><b>2</b> x 1pc</p> 	<p><b>3</b> x 30pcs</p> 	<p><b>4</b> x 30pcs</p> 	<p><b>5-1</b> x 1pc</p> 
<p><b>5-2</b> x 1pc</p> 	<p><b>6-1</b> x 1pc</p> 	<p><b>6-2</b> x 1pc</p> 	<p><b>7</b> x 1pc</p> 
<p><b>8</b> x 1pc</p> 	<p><b>9</b> x 1pc</p> 	<p><b>10</b> x 1pc</p> 	<p><b>11</b> x 1pc</p> 
<p><b>12</b> x 2pcs</p> 	<p><b>13</b> x 2pcs</p> 	<p><b>14</b> x 4pcs</p> 	<p><b>15</b> x 2pcs</p> 
<p><b>16</b> x 2pcs</p> 	<p><b>18</b> x 45pcs</p> 	<p><b>19</b> x 1pc</p> 	<p><b>20</b> x 2pcs</p> 
<p><b>21</b> x 1pc</p> 	<p><b>22</b> x 1pc</p> 	<p><b>23</b> x 2pcs</p> 	<p><b>24</b> x 2pcs</p> 

**HARDWARE LIST**

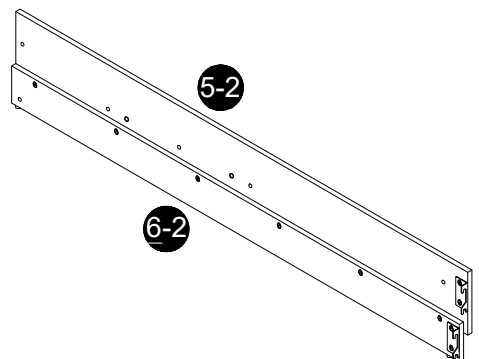
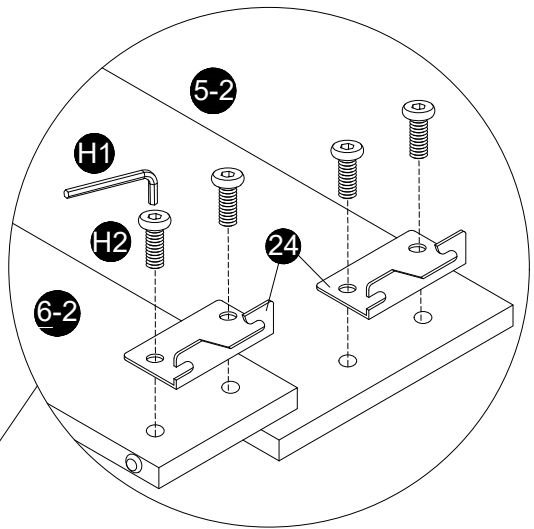
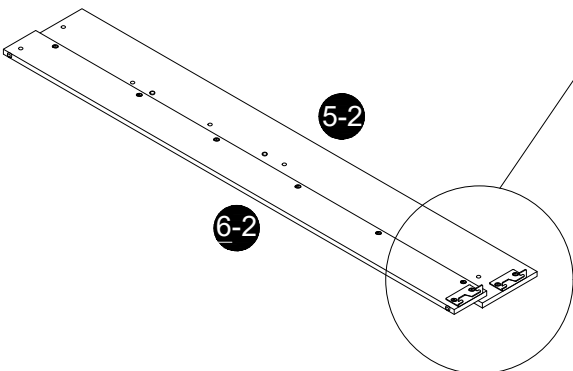
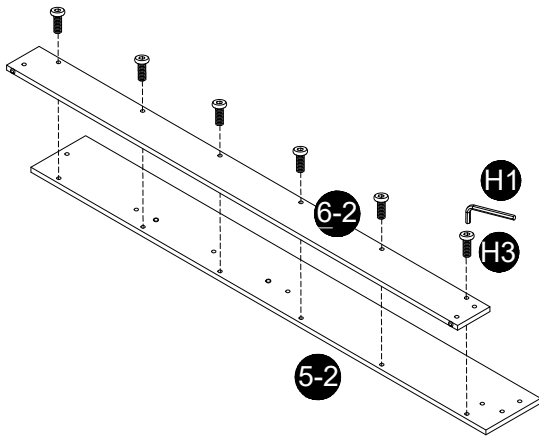
 <p><b>H1</b> M5 x 1pc</p>	 <p><b>H2</b> M8x16mm x 48pcs</p>	 <p><b>H3</b> M8x30mm x 25pcs</p>	 <p><b>H4</b> x 2pcs</p>	 <p><b>H5</b> M8x50mm x 6pcs</p>
 <p><b>H6</b> M8x22mm x 6pcs</p>	 <p><b>H7</b> M8 x 16pcs</p>	 <p><b>H8</b> M14 x 1pc</p>	 <p><b>H9</b> M8x40mm x 7pcs</p>	

**Please ensure to thoroughly inspect the small inner cardboard box containing the hardware, which are tied with a red string, before disposing of the box.**

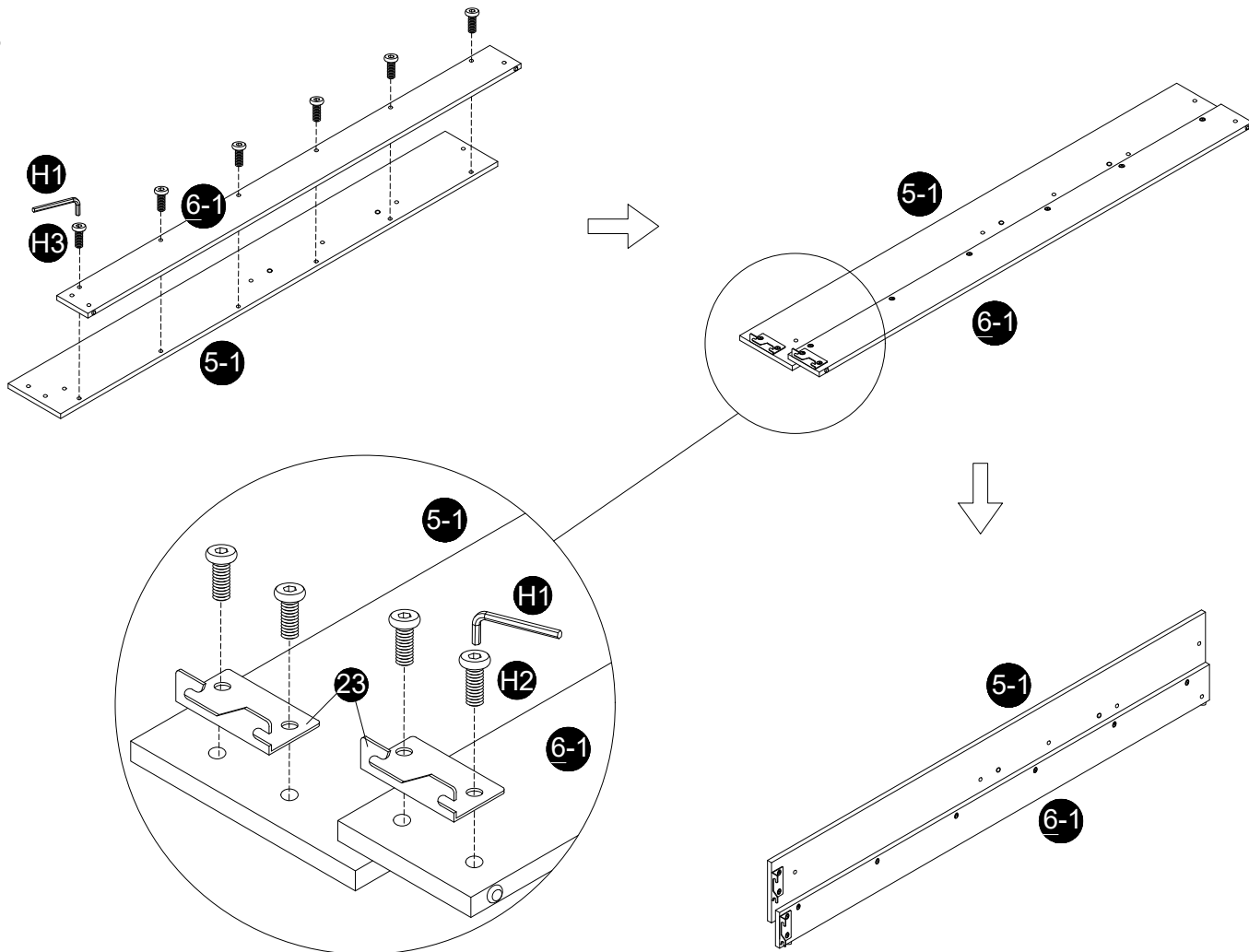
1



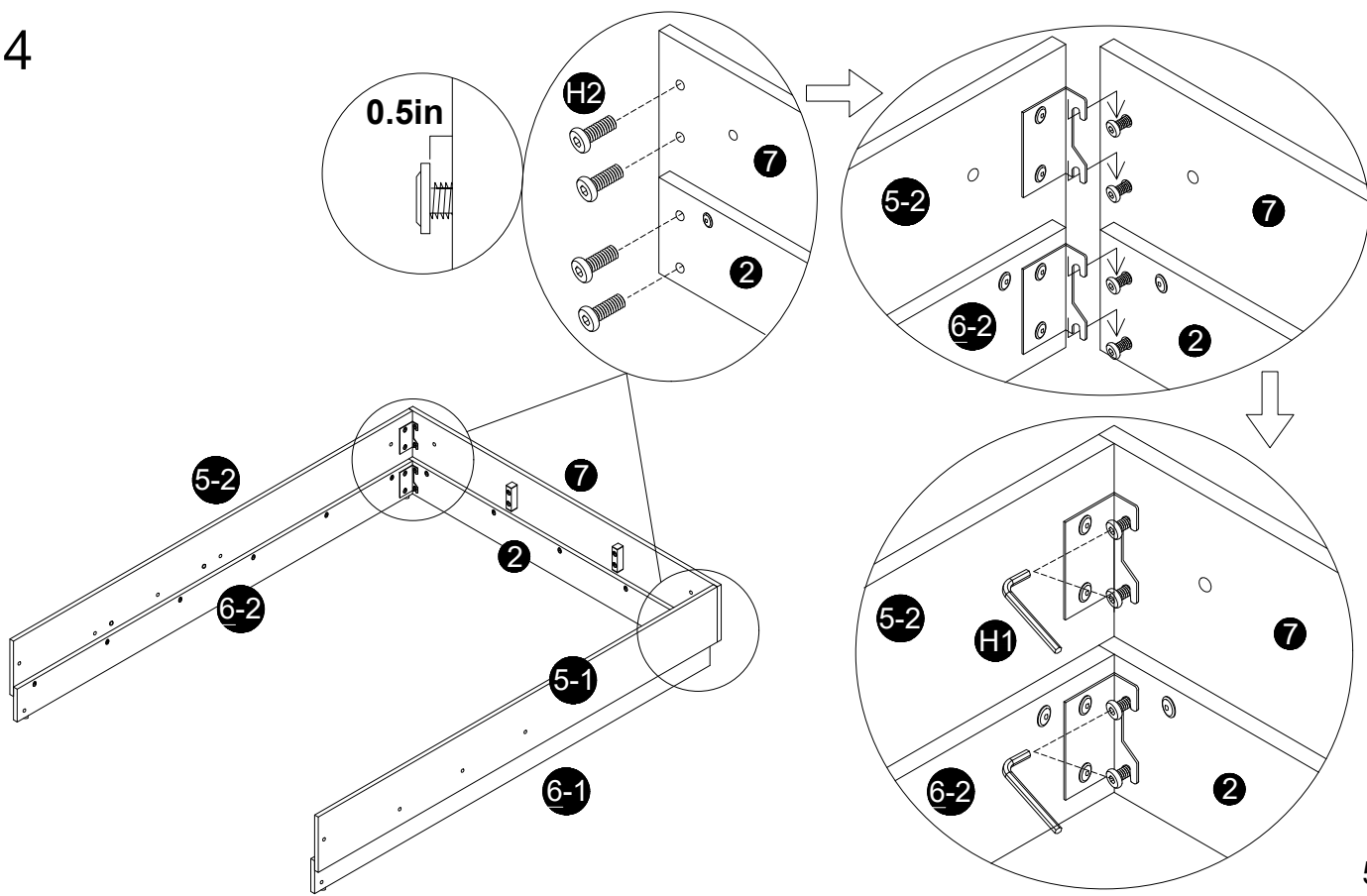
2



3

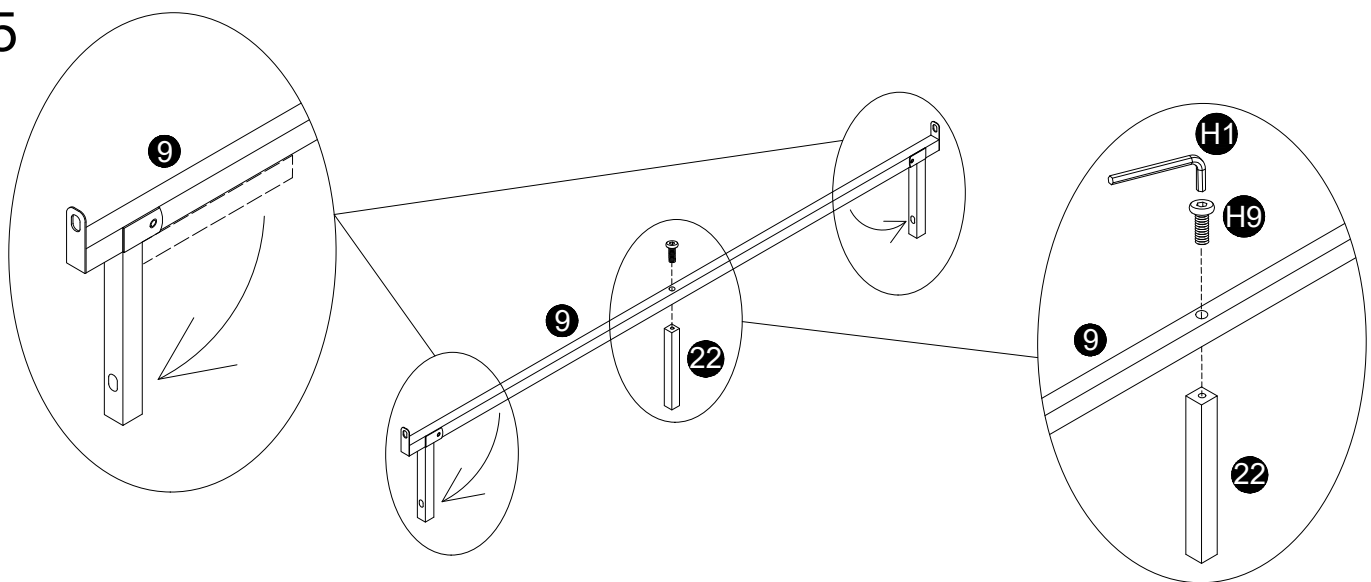


4

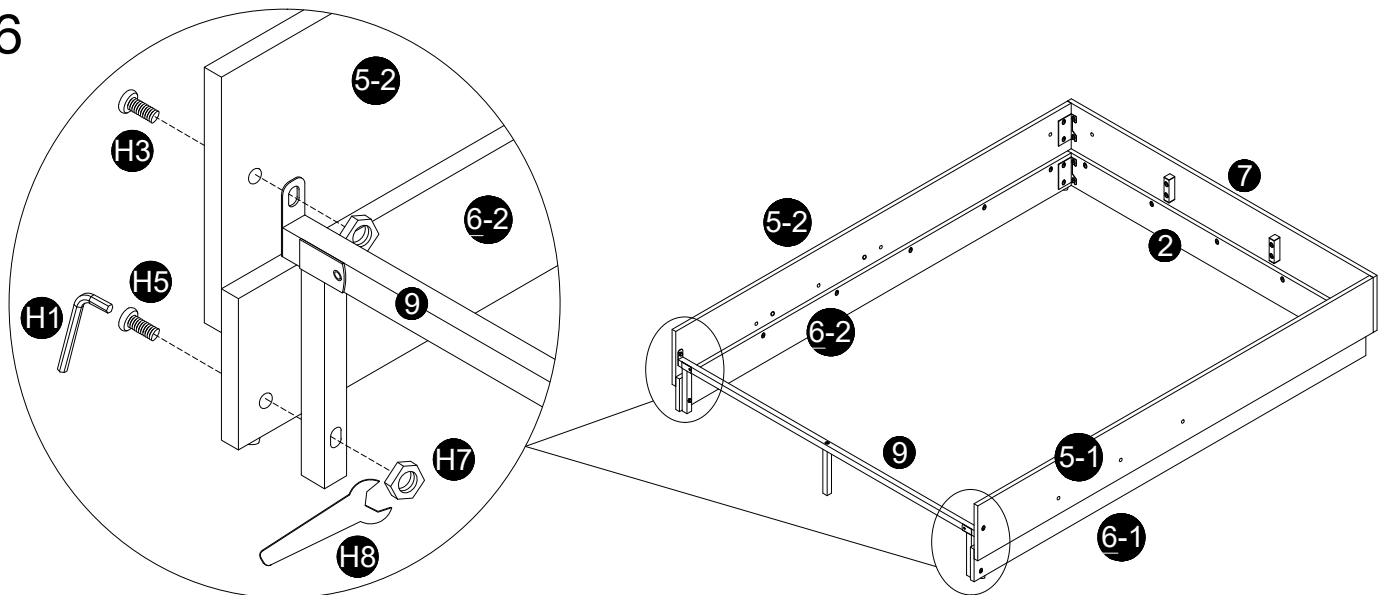


5

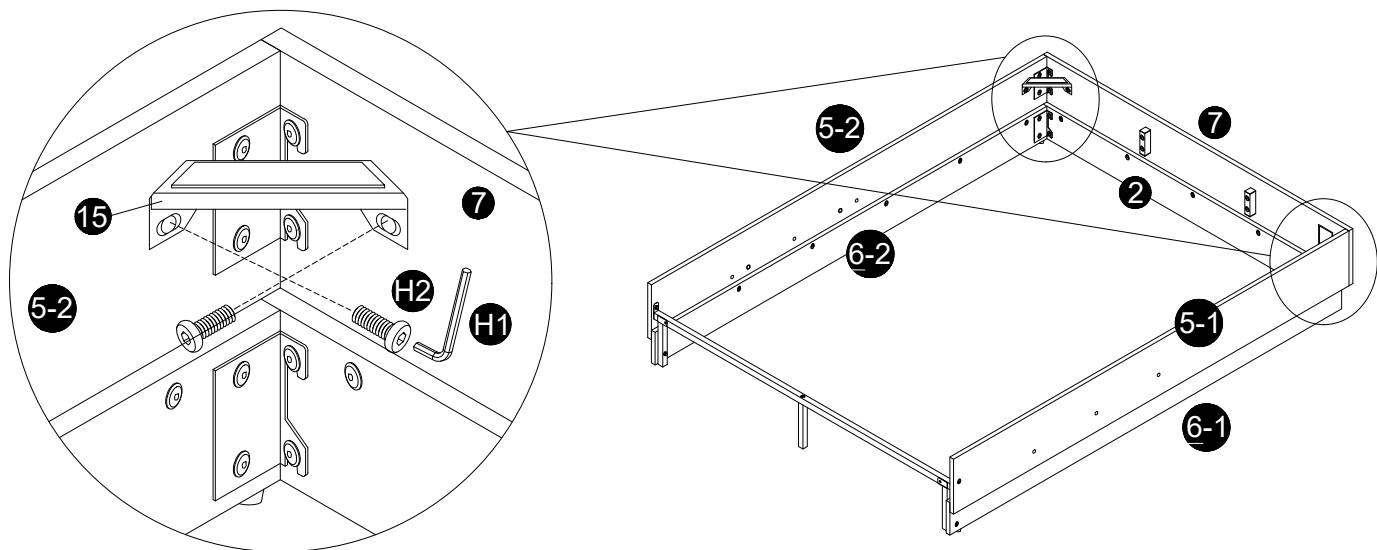
5



6



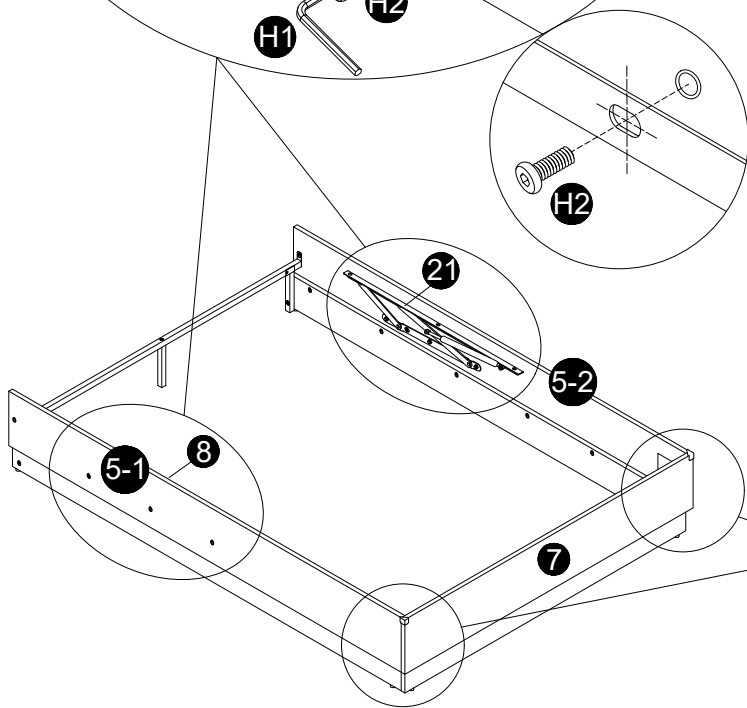
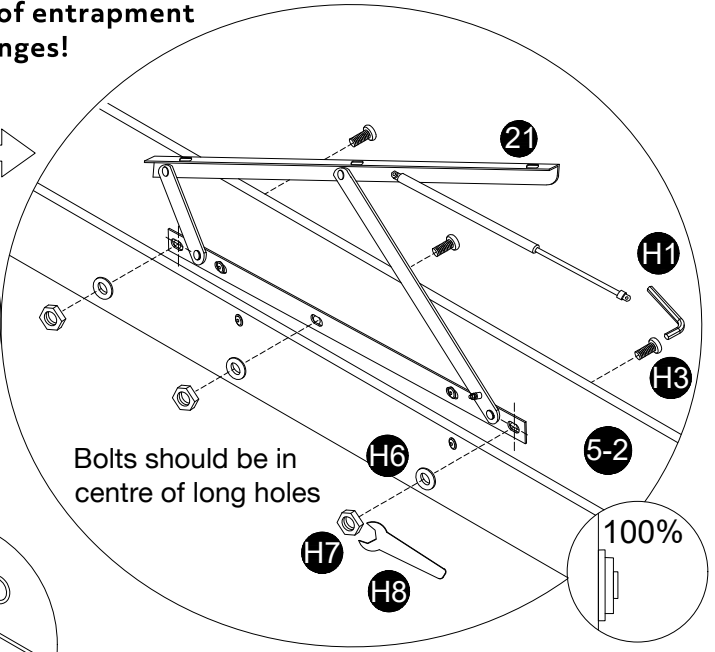
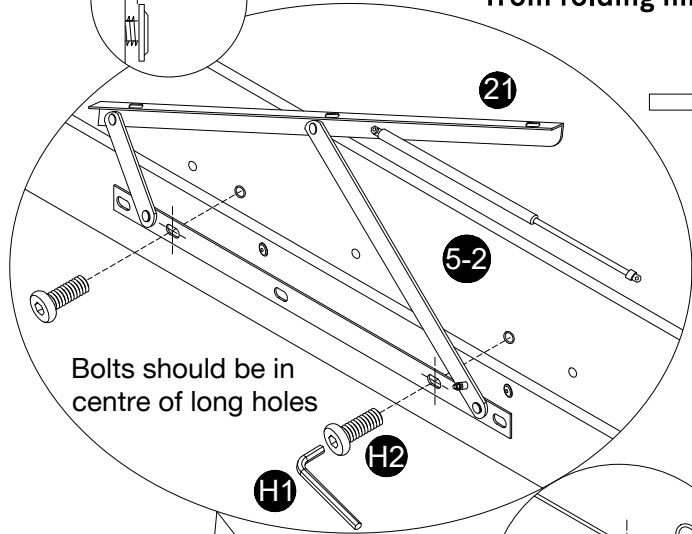
7



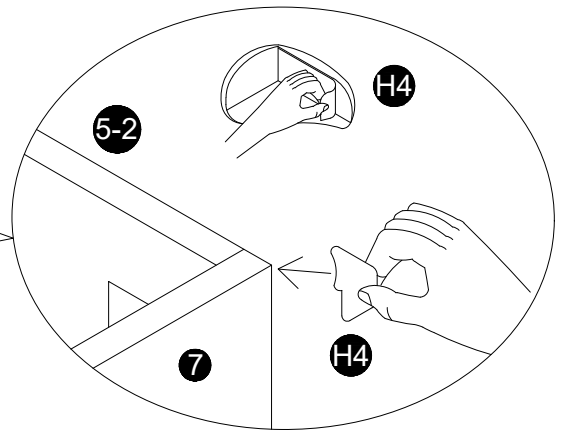
8

Tighten 80%

Beware of risk of entrapment from folding hinges!



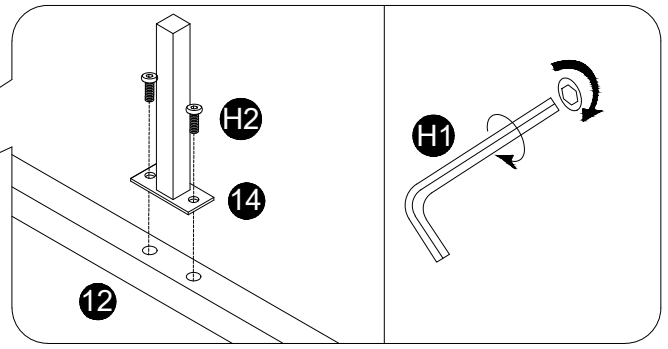
Fully tighten all fixings. 100%



9

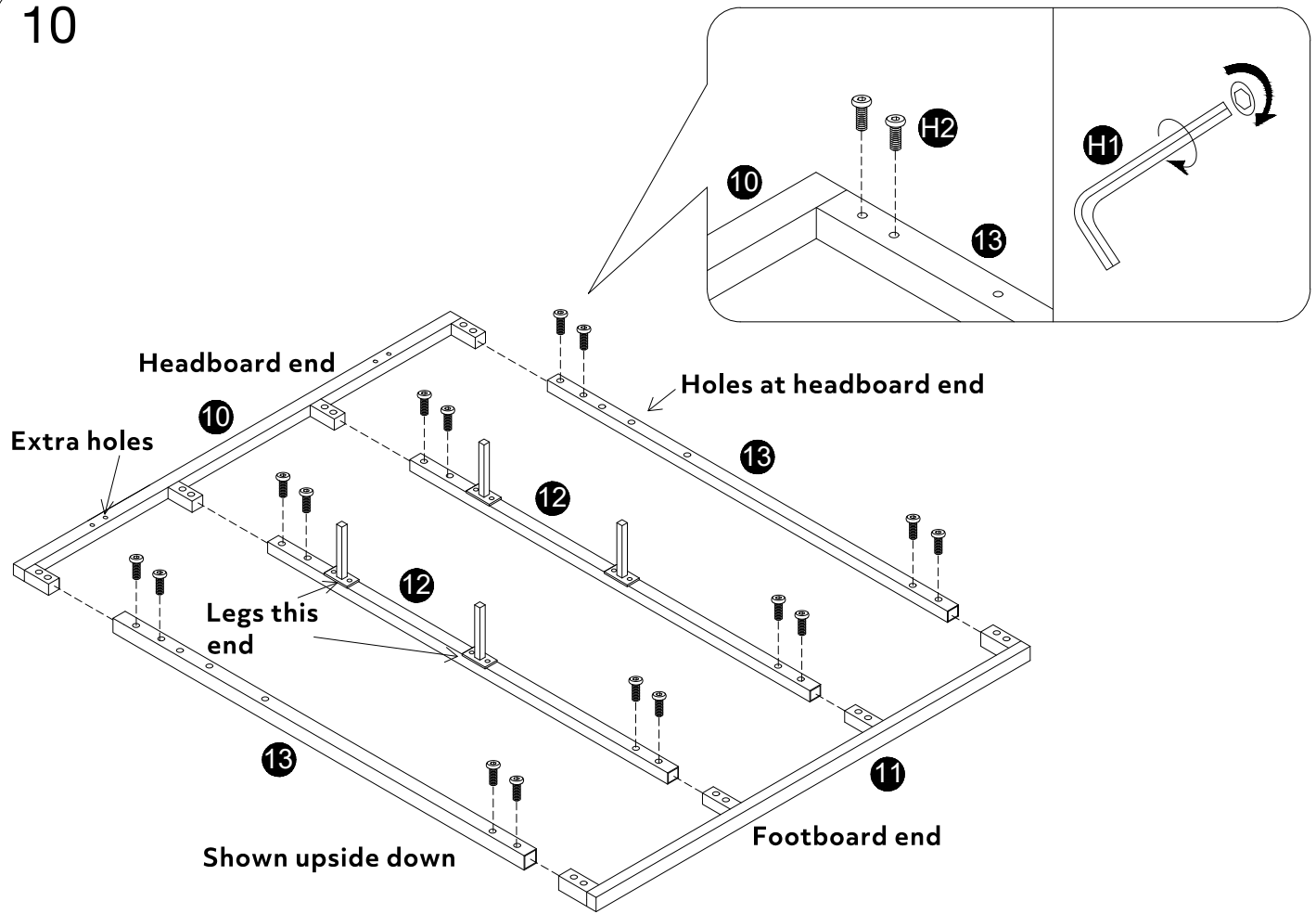
Holes on underside

Shown upside down



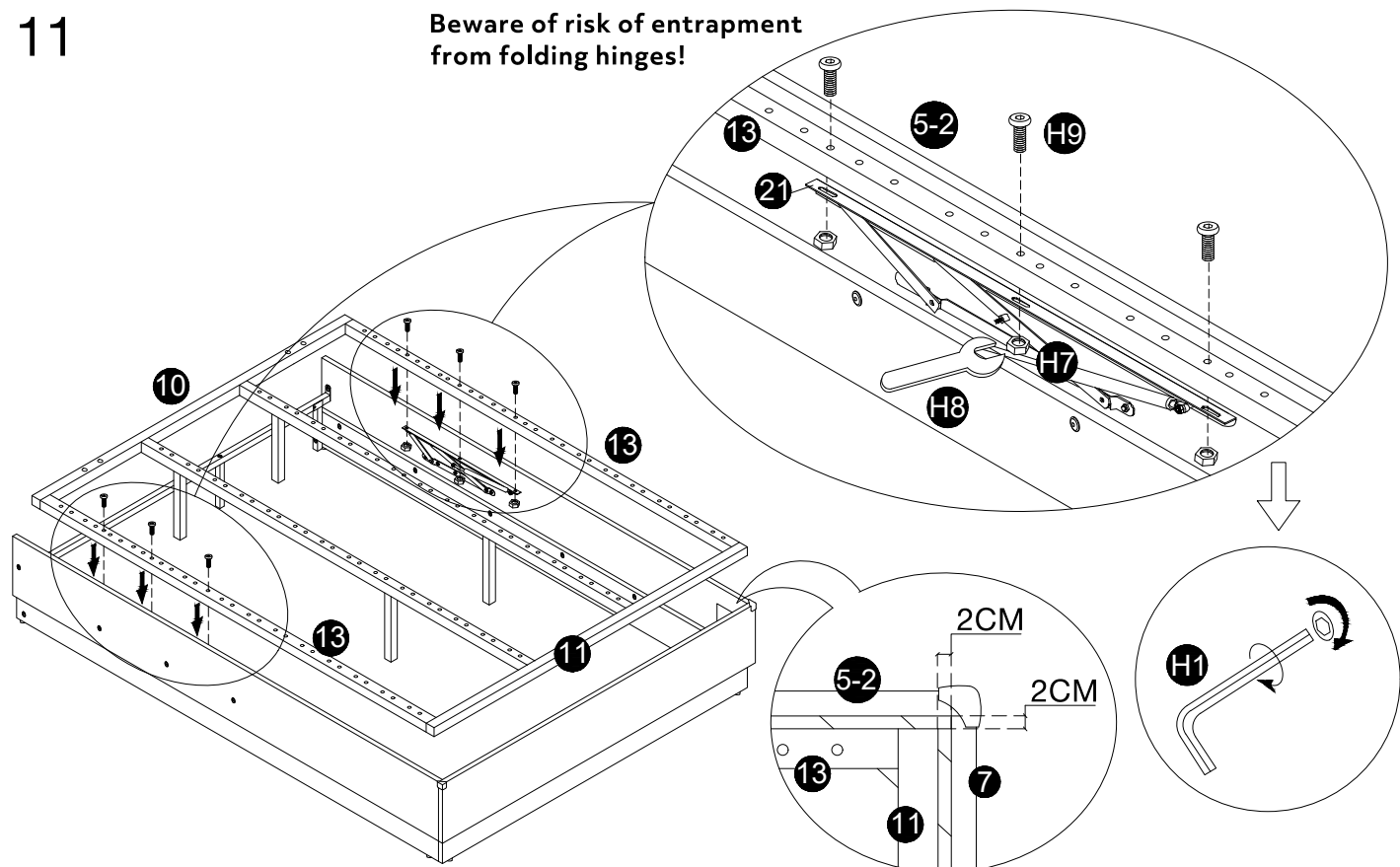
x 2

10

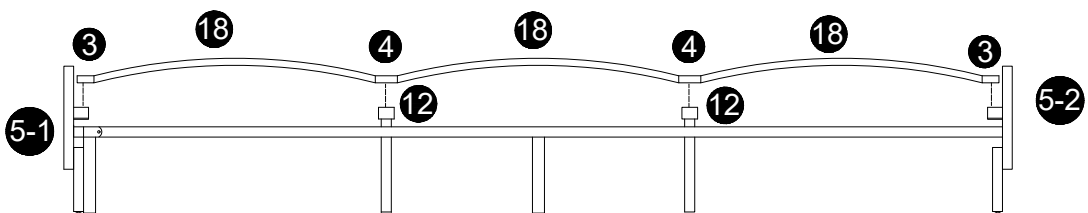
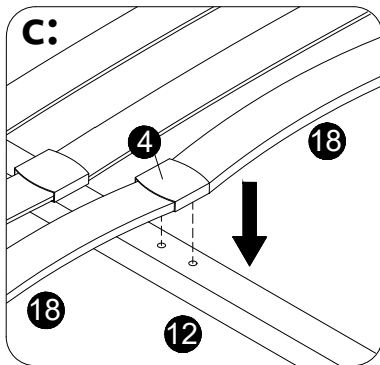
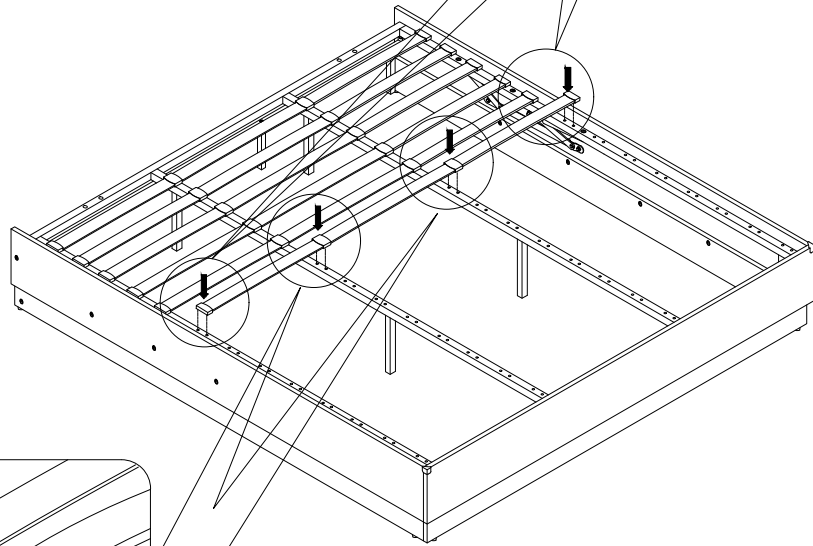
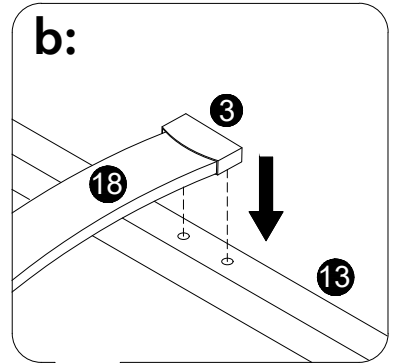
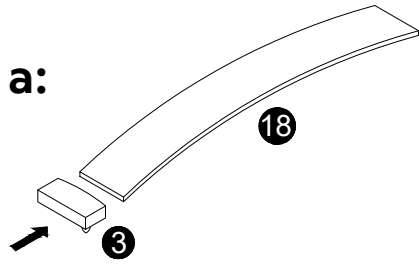


11

Beware of risk of entrapment from folding hinges!

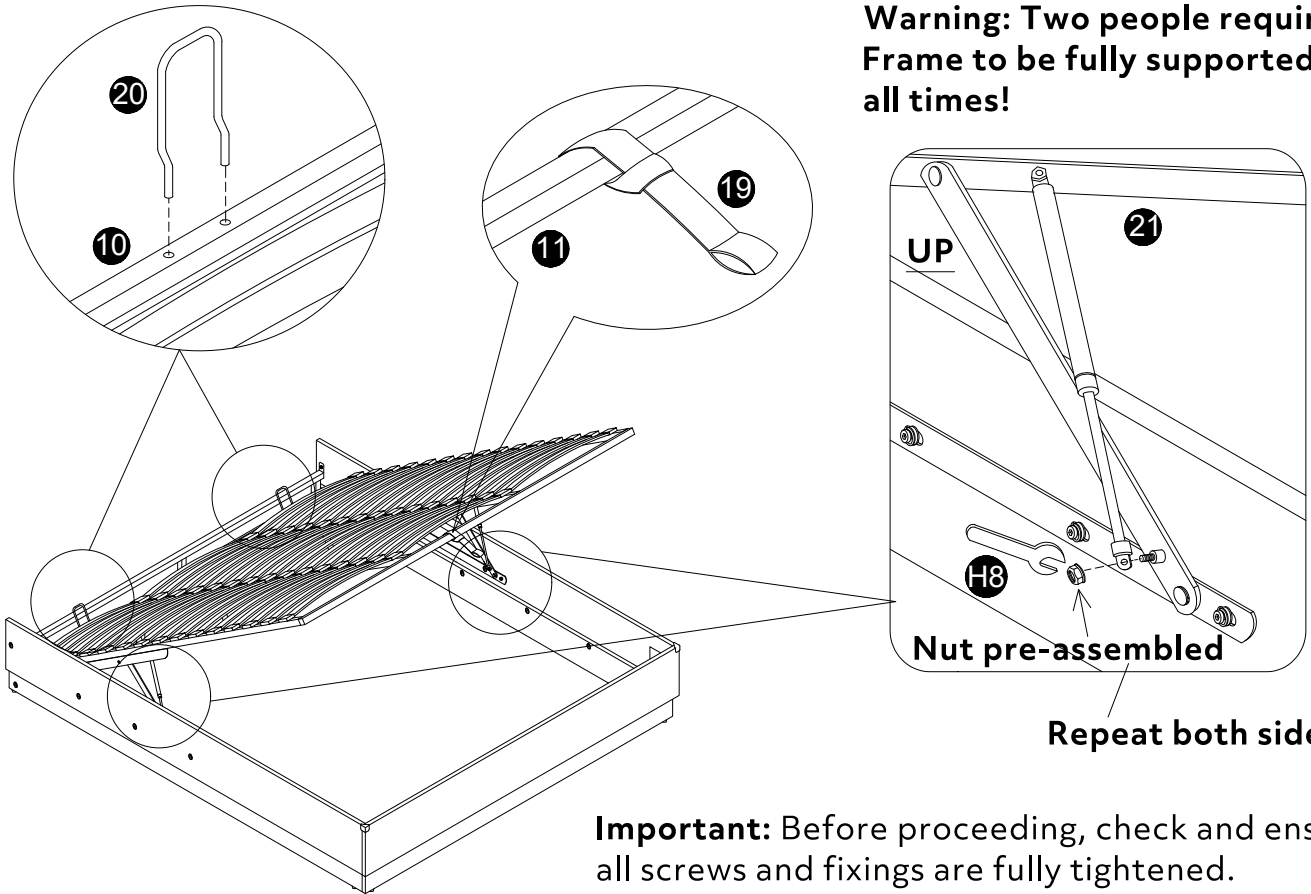


12

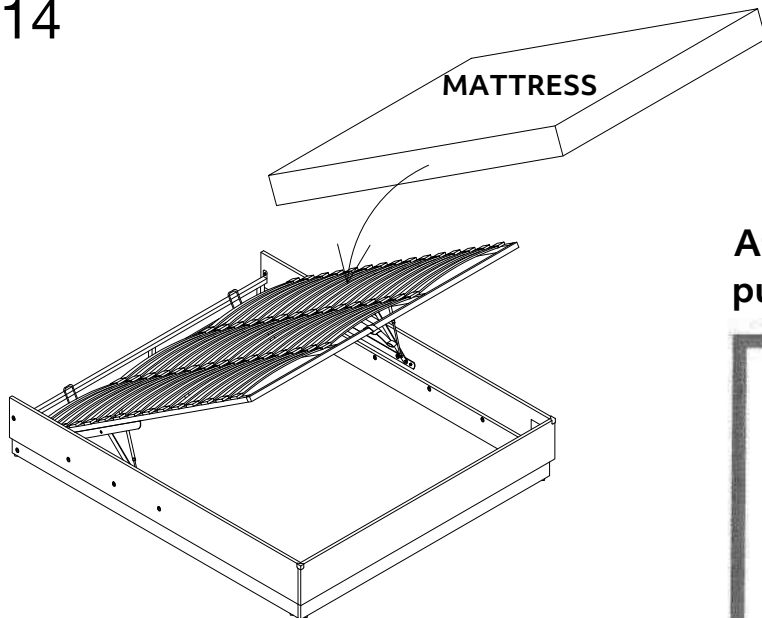


Slats to arch upwards

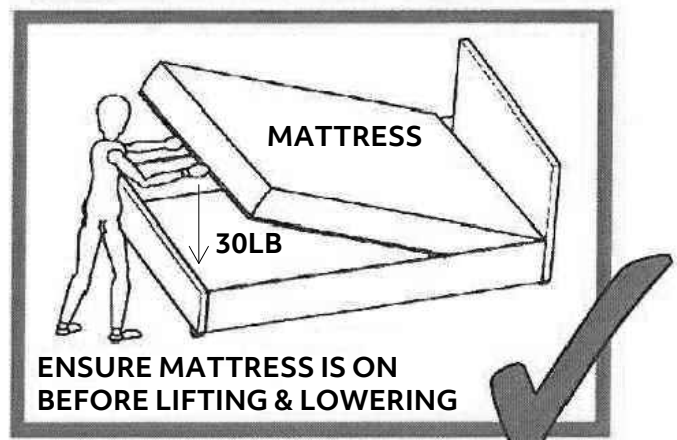
13



14



After placing the mattress on frame, push down the frame with 30lbs force.



⚠ Only lift when the mattress is in place. Place mattress & Carefully lower frame down. Keep objects/body part & children away from moving parts.

**Job Complete !**

*In the interest of our environment please dispose of all packaging thoughtfully.*