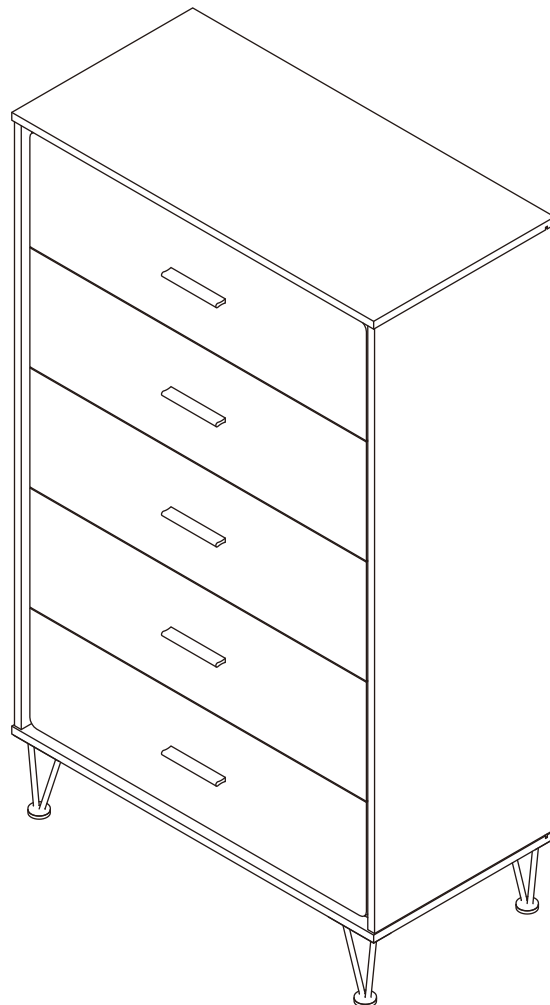


ASSEMBLY INSTRUCTION

Thank you for purchasing the quality product. Be sure to check all packing material carefully for small parts which may have come loose inside the carton during shipment. Separate, identify and count all parts and metal hardware. Compare with all parts are present. If any part(s) are missing or damaged, please contact your local furniture dealer. For efficient and speedy service, please indicate the model number and code letter of part(s) needed.

*****Do not fully tighten screws until fully assembled.*****

5-DRAWERS CHEST

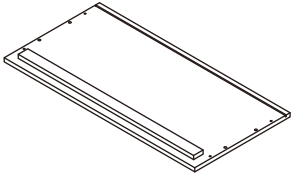


DIMENSIONS

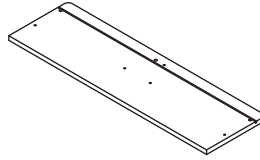
Width - 31.5"
Depth - 15.75"
Height - 52.42"

PARTS LIST

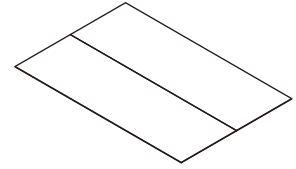
A X1 Top



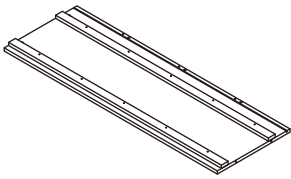
G X1 Bottom drawer head



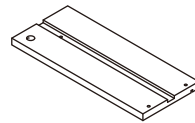
M X1 Back



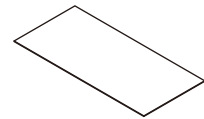
B X1 Left side



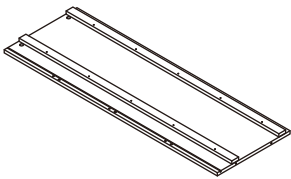
H X5 Drawer left



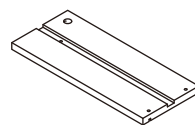
N X5 Drawer bottom



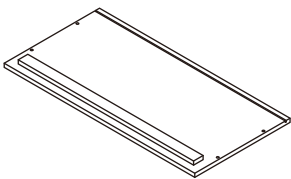
C X1 Right side



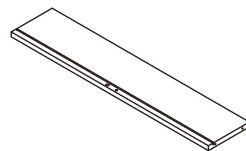
I X5 Drawer right



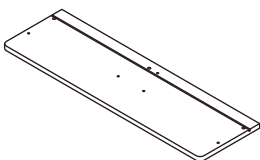
D X1 Bottom



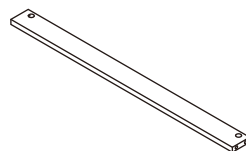
J X5 Drawer back



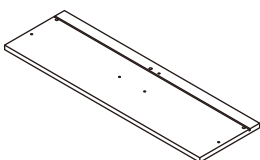
E X1 Top drawer head



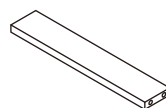
K X3 Support



F X3 Middle drawer head



L X5 Drawer support



HARDWARE LIST

① X30 Cam bolt 7*35*12.5mm



② X30 Cam lock 15*12mm



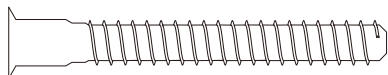
③ X30 Dowel 8*30mm



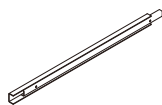
④ X20 Wood screw 8#*1-1/4"



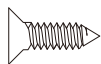
⑤ X4 Coarse screw 7*11*50mm



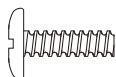
⑥ X10 Slide rail 17*310mm



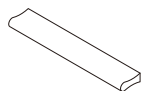
⑦ X20 Wood screw #6*1/2"



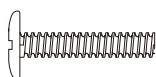
⑧ X10 Fixing screw M4*12mm



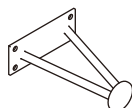
⑨ X5 Handle



⑩ X10 Handle screw M4*18mm



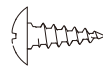
⑪ X4 Foot



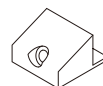
⑫ X4 Foot pad



⑬ X16 T-head screw M4*12mm



⑭ X4 Fixative plate



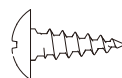
⑮ X4 Wood screw 3*19mm



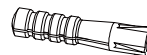
⑯ X1 Wall mounted strap 25*152mm



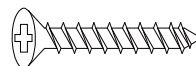
⑰ X1 Wood screw 4*16mm



⑱ X1 Wall anchor 1-1/8"



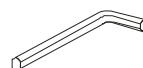
⑲ X1 Wood screw 8#*1"



⑳ X1 Glue



㉑ X1 Allen wrench

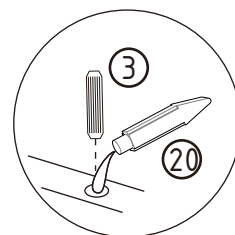
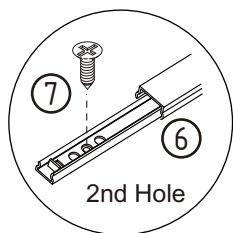
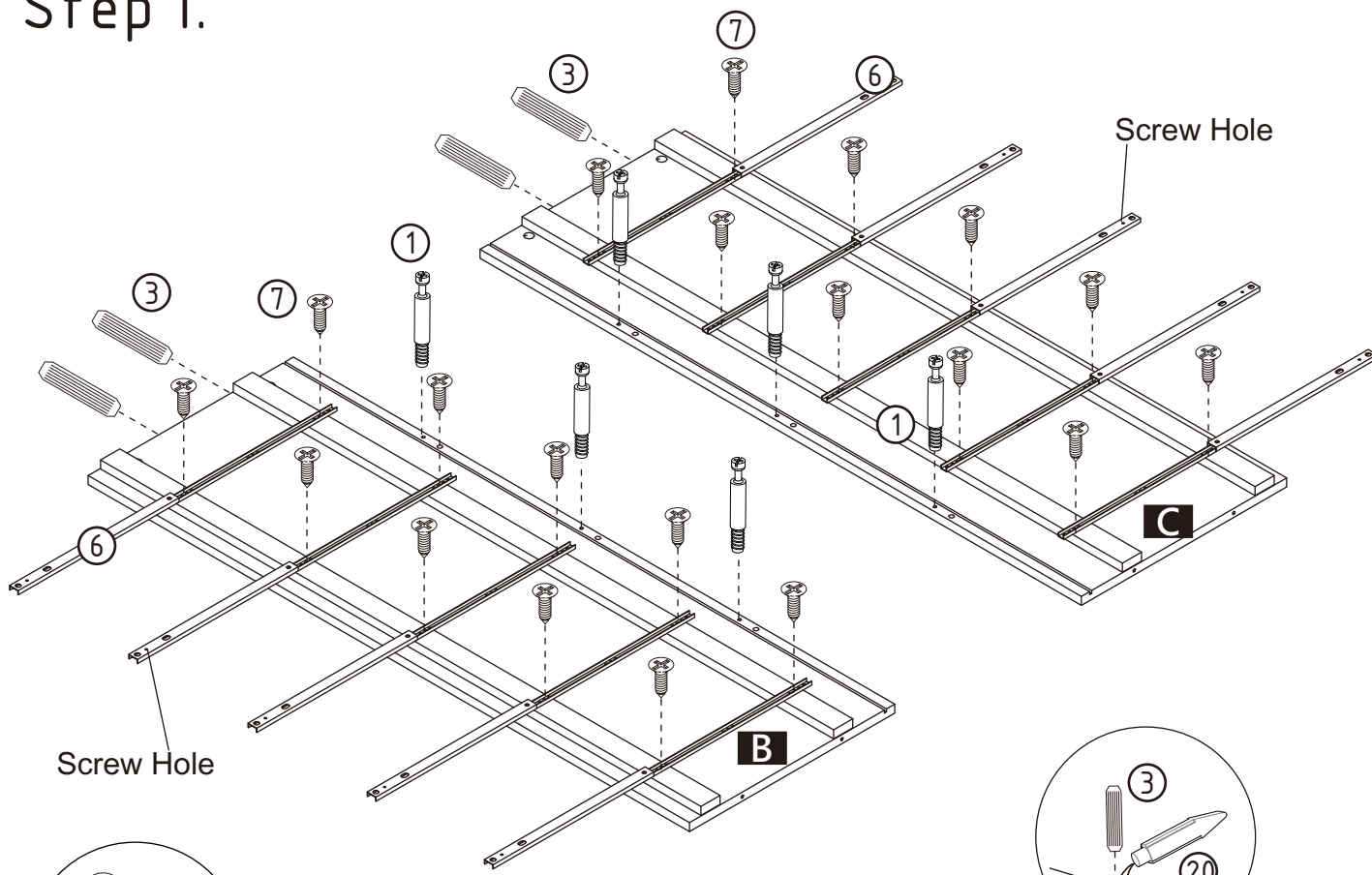


Attention

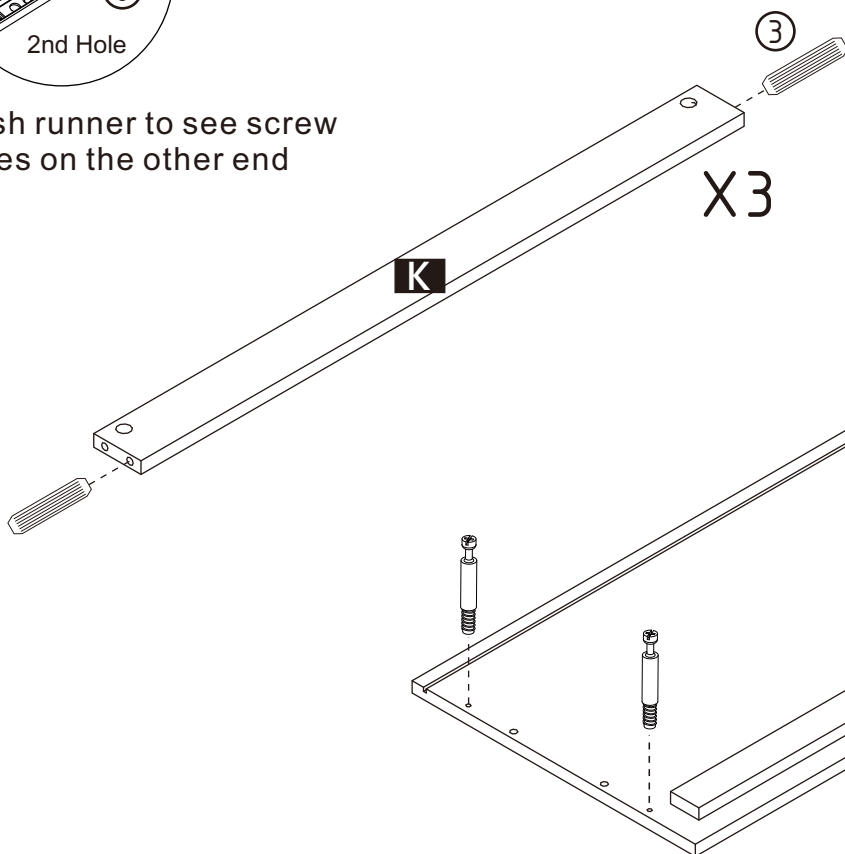
Some number parts listed on the instruction sheet may not be in parts bag as they may already be assembled. Carefully check parts and packing materials prior to ordering replacements.

ASSEMBLY INSTRUCTIONS

Step 1.

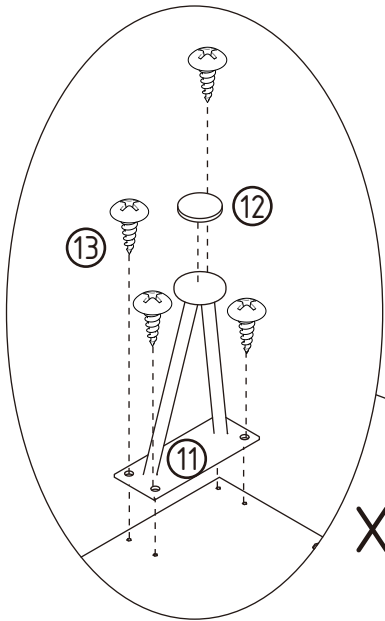
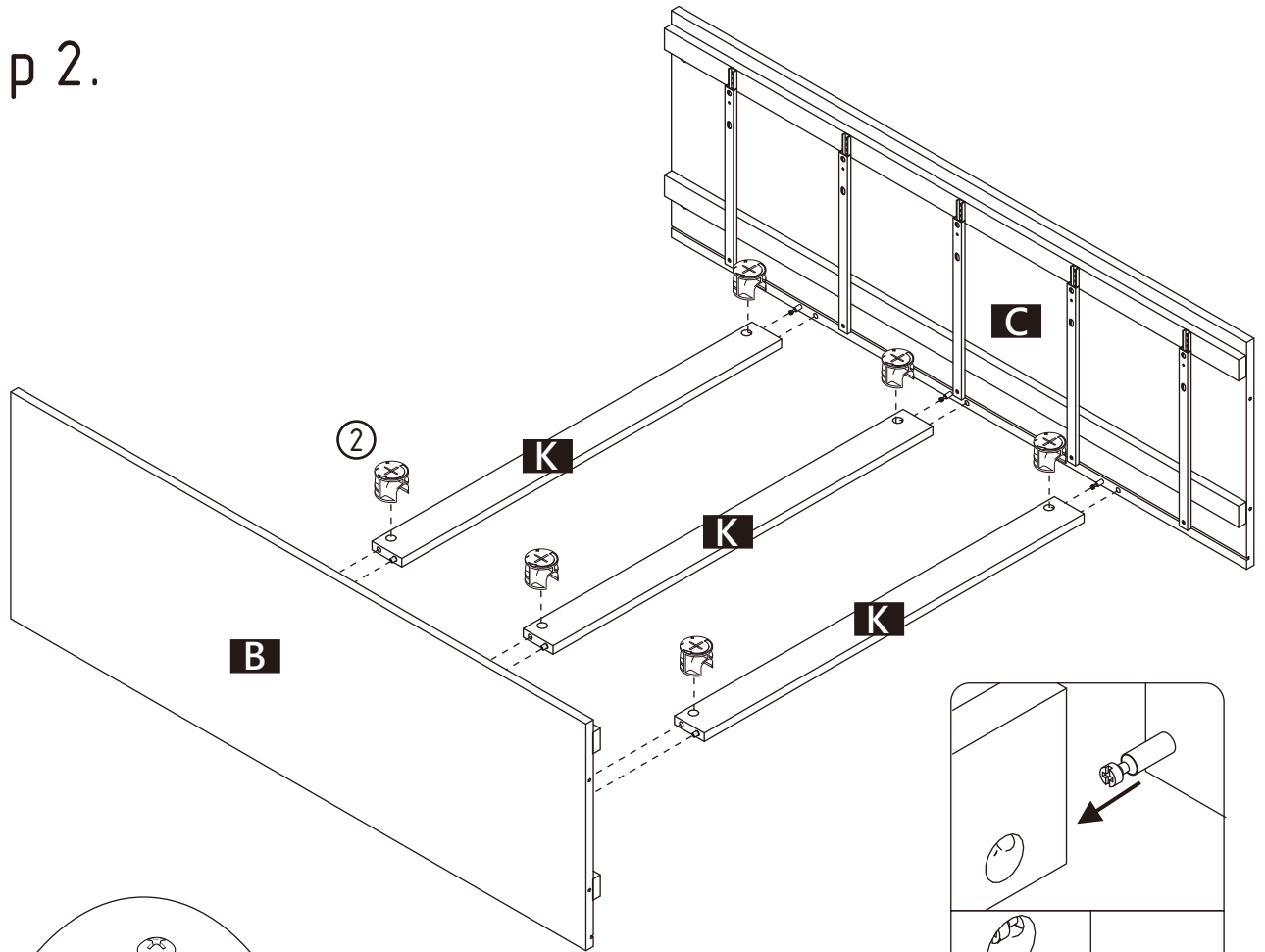


Push runner to see screw holes on the other end

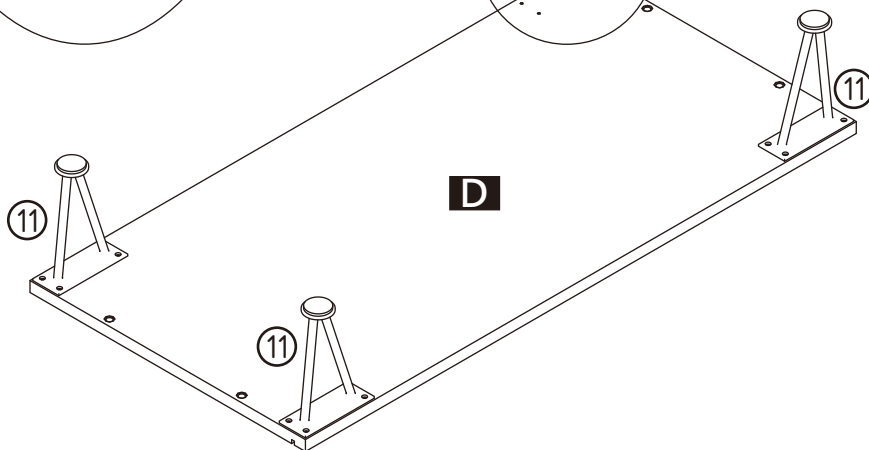
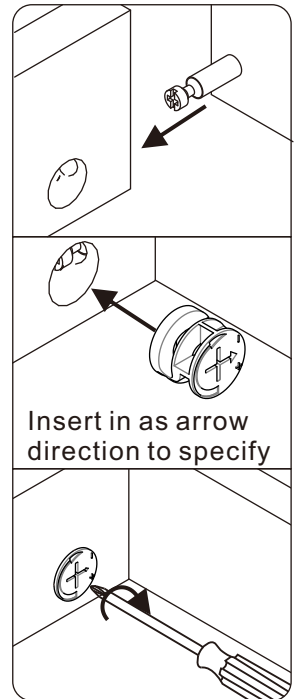
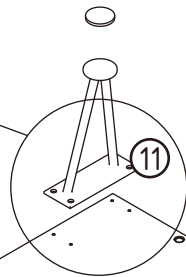


ASSEMBLY INSTRUCTIONS

Step 2.

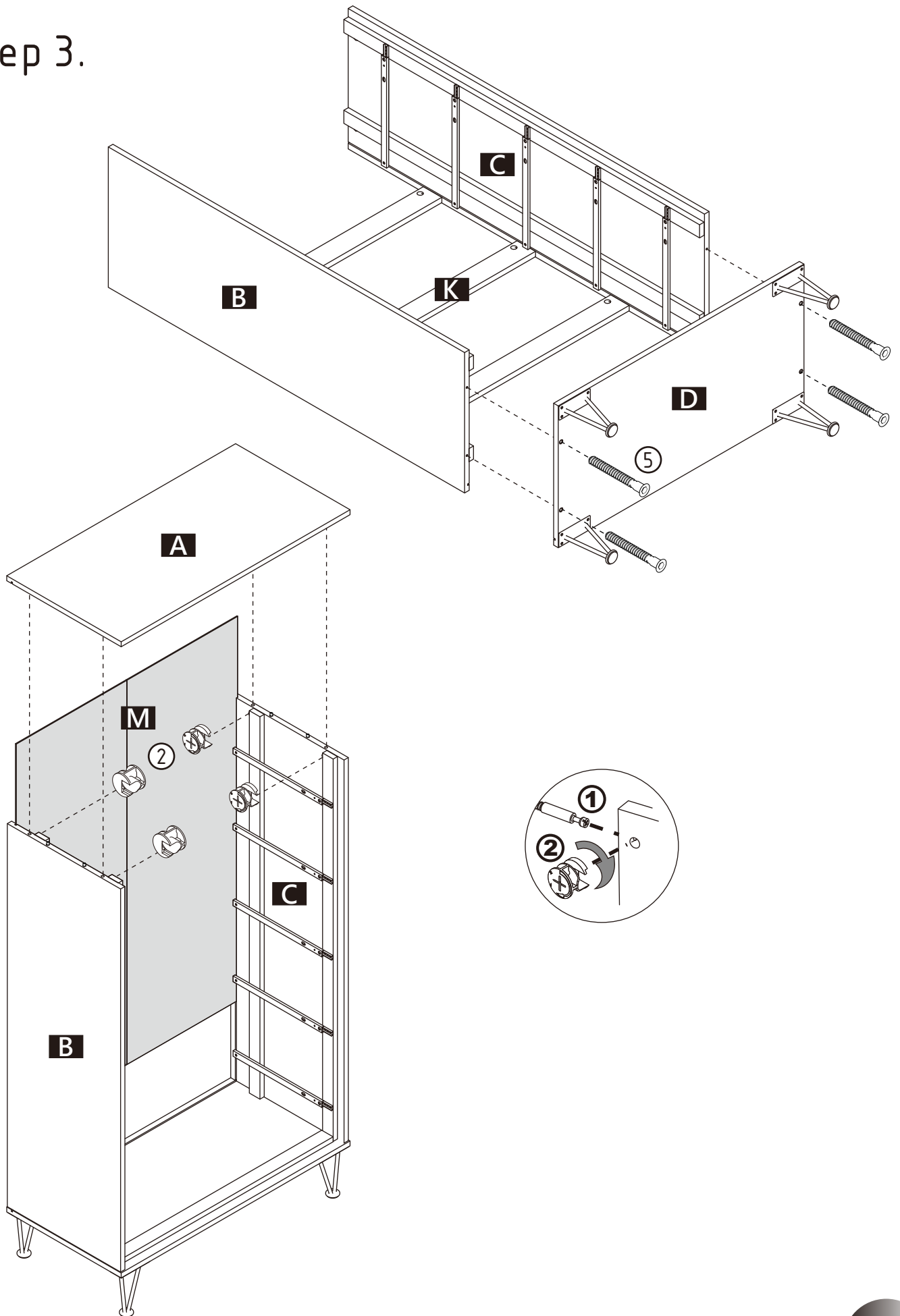


X4



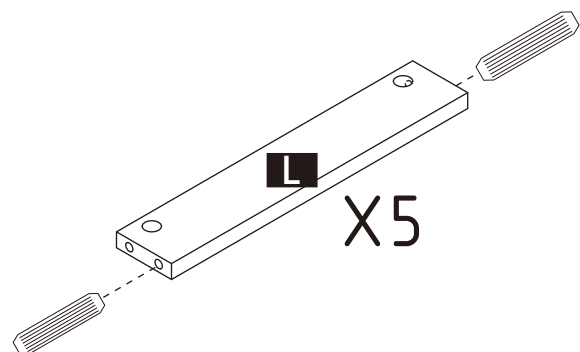
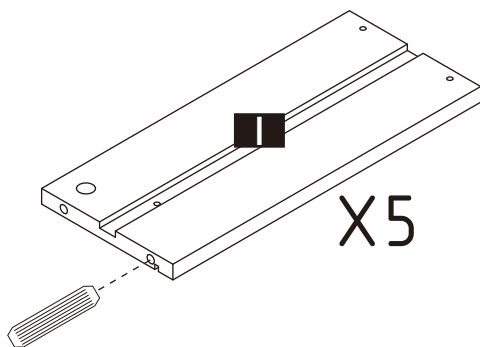
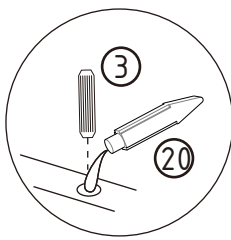
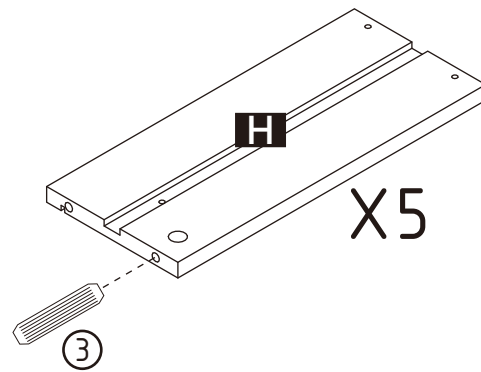
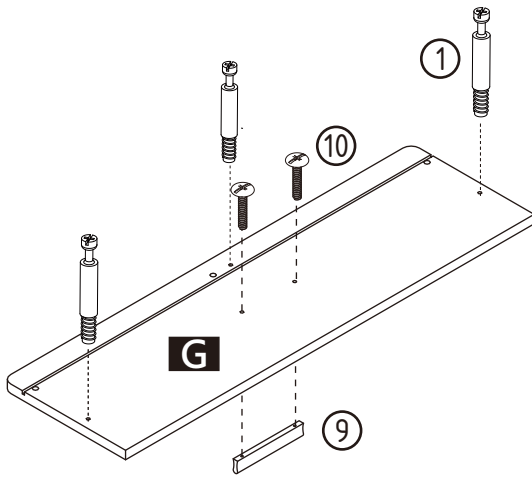
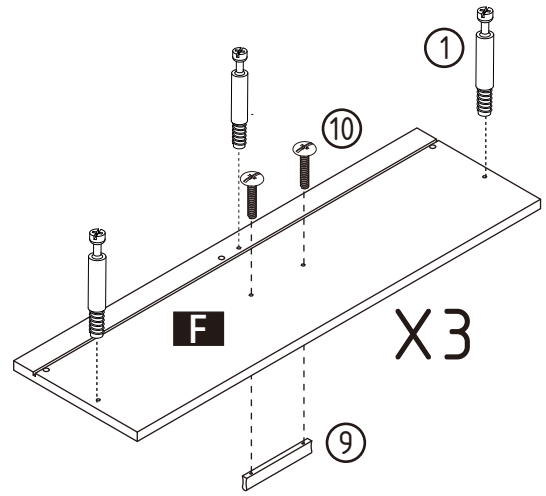
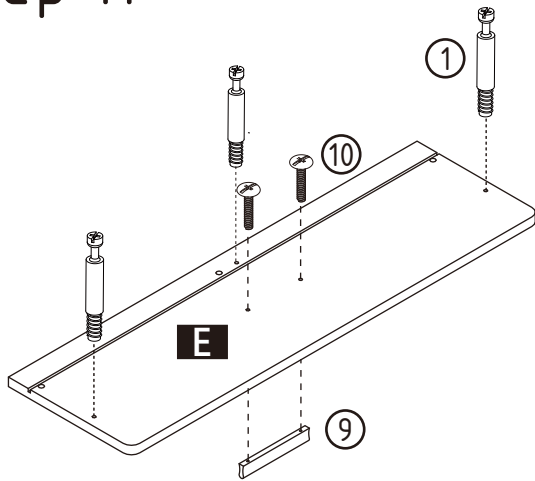
ASSEMBLY INSTRUCTIONS

Step 3.



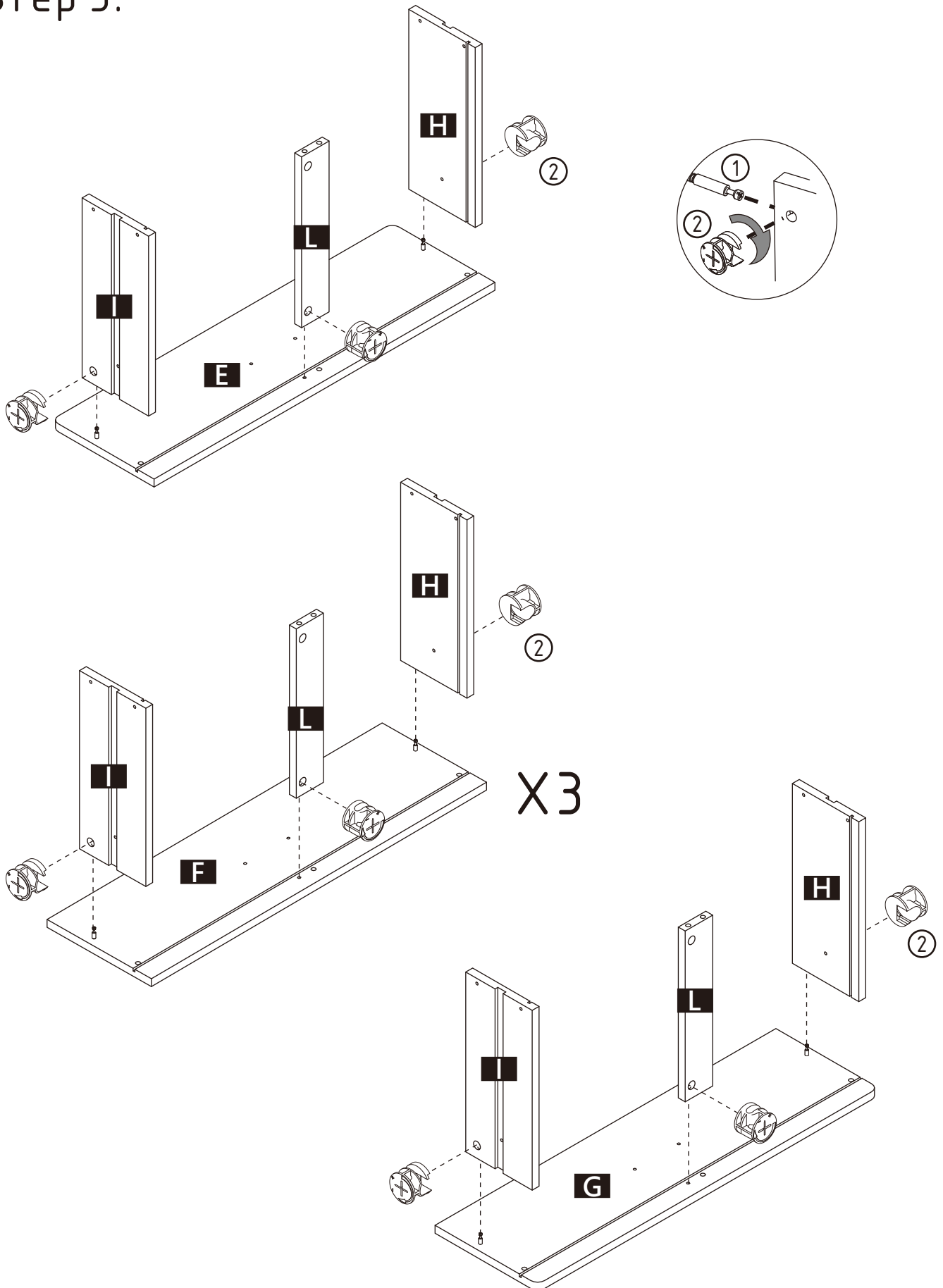
ASSEMBLY INSTRUCTIONS

Step 4.



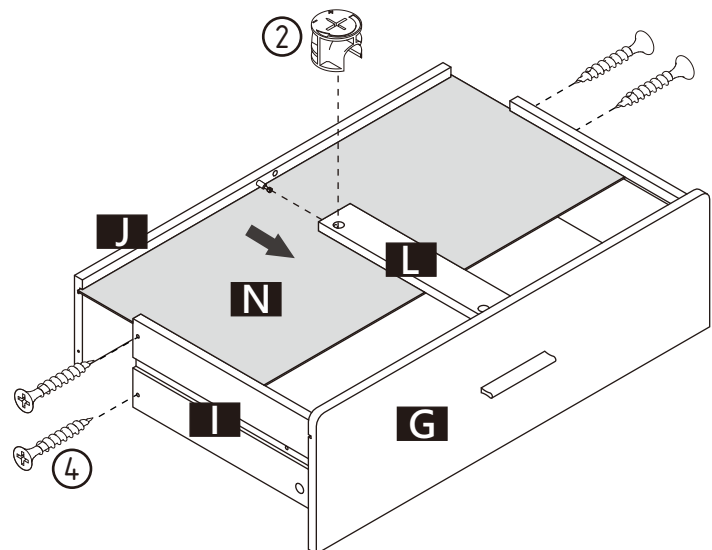
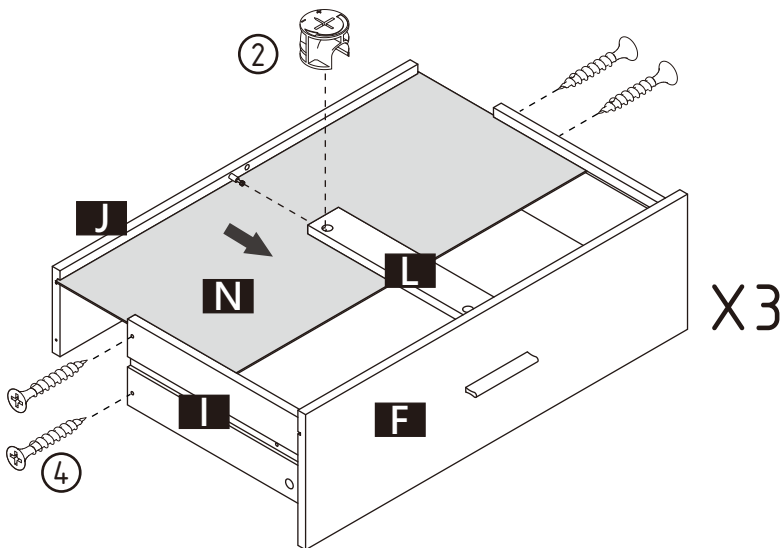
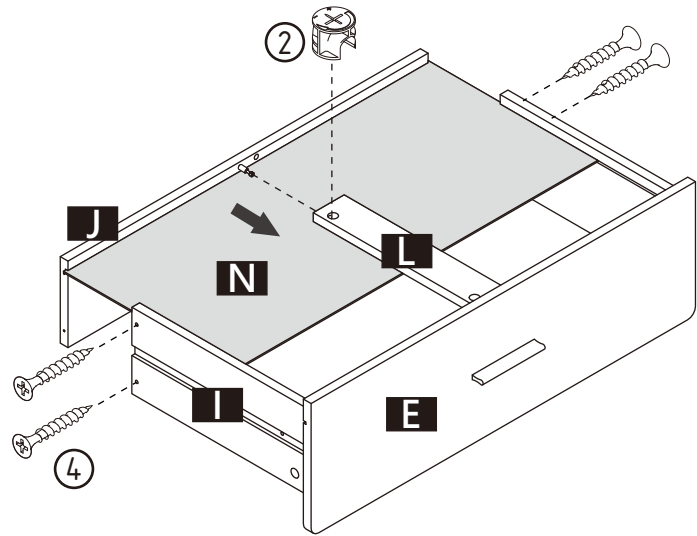
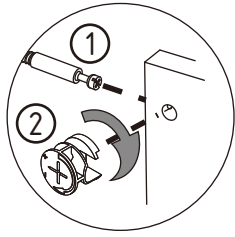
ASSEMBLY INSTRUCTIONS

Step 5.



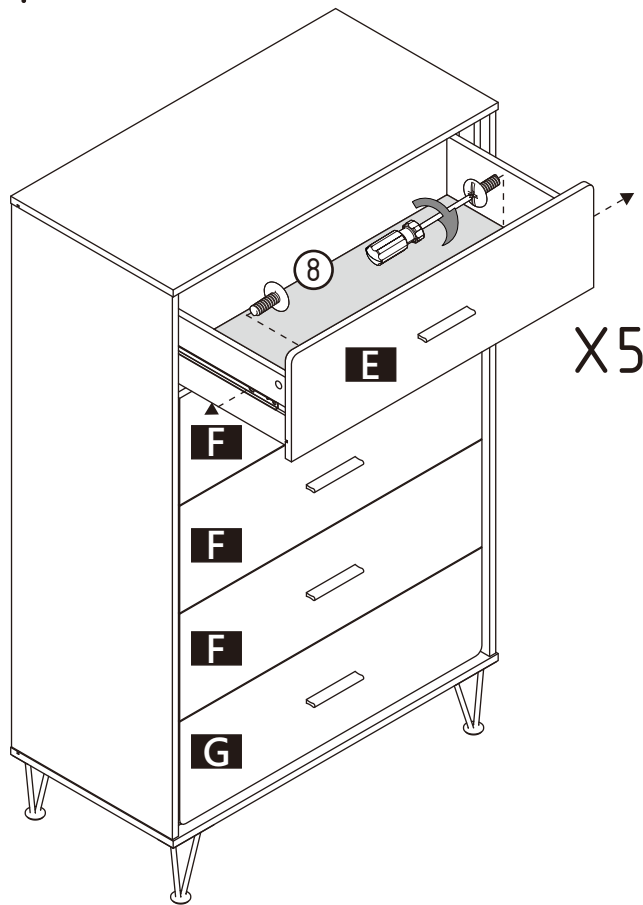
ASSEMBLY INSTRUCTIONS

Step 6.



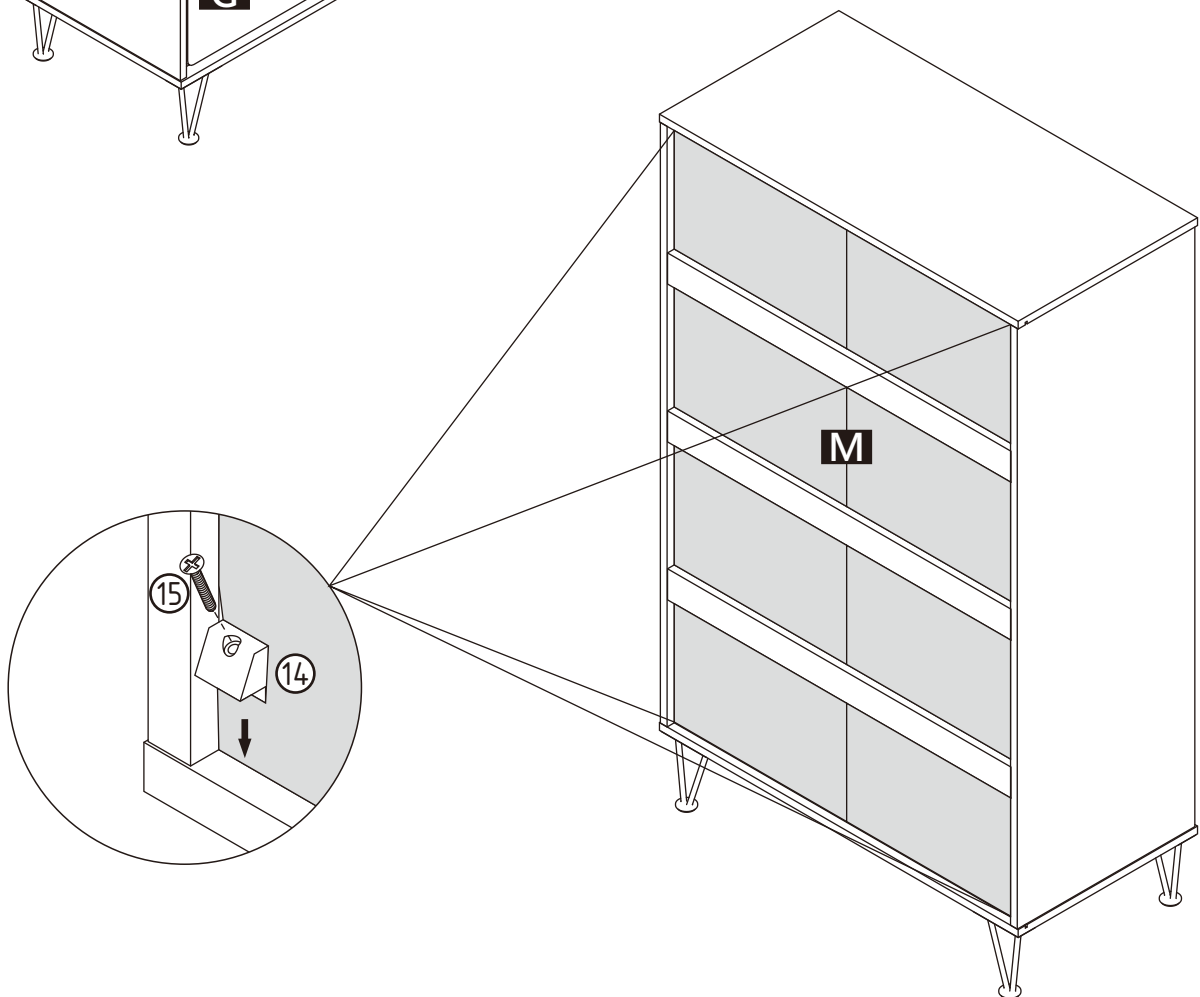
ASSEMBLY INSTRUCTIONS

Step 7.



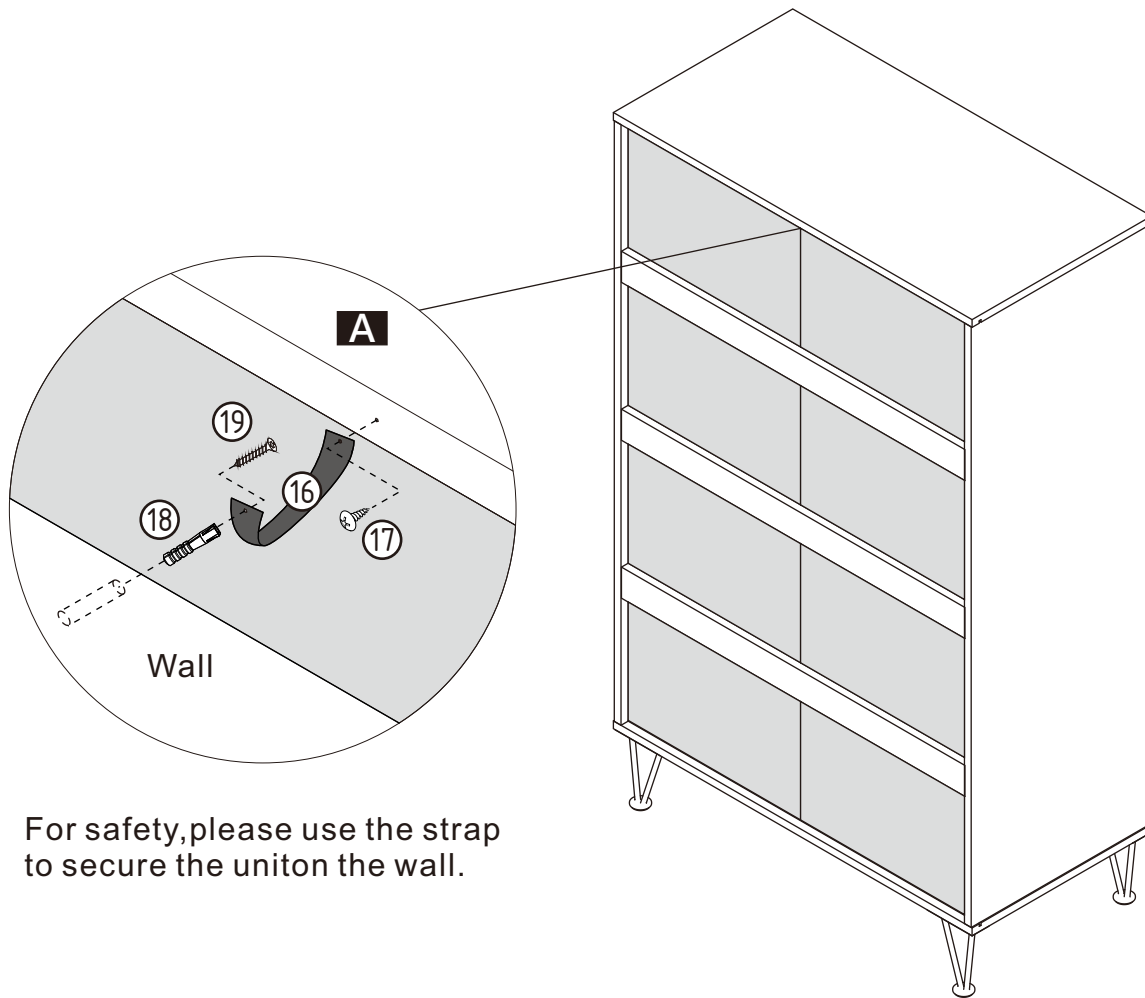
Extend the two outer slides of the runners so that they could align with the sides of the drawer. Make sure the pre-drilled holes from the drawer align with the screw holes of the outer slides.

Secure two screws from the inside of the drawer using a Phillips screwdriver to tighten them to the outer slides.



ASSEMBLY INSTRUCTIONS

Step 8.



For safety, please use the strap to secure the unit on the wall.

ASSEMBLY IS COMPLETED.

Make sure the product is rested on a flat surface and does not feel loose or wobbly. If it does, double check that the bolts/screws are secured and properly tightened.