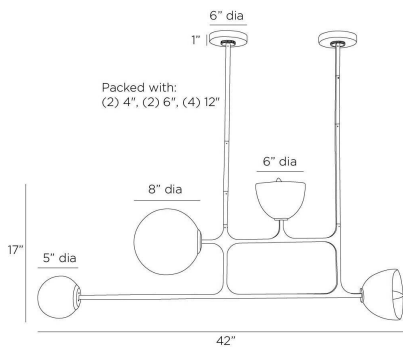


ARTERIOS

DILLON LINEAR CHANDELIER



DRC08

H: 27 IN, W: 8 IN, D: 42 IN,

English Bronze

Smoke glass globes and shades make a playful mix on a sculptural chandelier. Two globes and two shades are elegantly displayed on an L-shaped support of chattered English bronze iron. Interlocking into an artistic form, this linear style was designed to illuminate longer surfaces. Finish will vary.

APPEARANCE

Material	Iron, Glass
Material Type	Chattered
Finish	English Bronze, Smoke
Finish Will Vary	Yes
Top Coat/Sealant	Yes

DIMENSIONS

Canopy	H: 1 IN, Dia: 6.00 IN
Chandelier	H: 17 IN, W: 8 IN, D: 42 IN
Globe Large	Dia: 8.00 IN
Shade	Dia: 6.00 IN
Minimum Hanging	H: 27 IN
Distance Between Center Of Canopies Width	13.5 in
Globe Small Diameter	5.00 in
Max Hanging Height	50 in

WIRING

Rating	Damp
Cord	10 FT, Clear/Silver, SVT
Socket	4, Type B - E12
Maximum Watt	60
Voltage	110-120 V

CERTIFICATIONS

Certifications	Mexico, United States, Canada
----------------	-------------------------------

COMPLIANCY

UL/ETL	Yes
CB	Yes
RoHS	Yes

SHIPPING

Shipping Requirements	Prop65
Product Weight	14 lbs
Gross Weight 1	20.5 lbs
Shipping Box 1	H: 12 IN, L: 41.5 IN, W: 28 IN

REPLACEMENT PARTS

Replacement Part 1	PIPE-587
Replacement Part 1 Dim	(1) 4", (1) 6", (1) 12"
Replacement Part 2	CANOPY-689
Replacement Part 2 Dim	1" x 6"

CONTRACT

Contract Suitable	Yes
-------------------	-----