

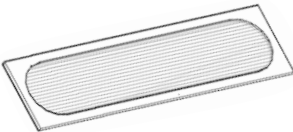


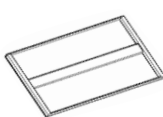











Assembly Instructions

Please read this before you proceed

A		Backplane1	1pc
B		Backplane2	1pc
C		Left Door	1pc
D		Side panel	2pcs
E		Top	1pc
F		Adjustable shelf	3pcs
G		Bottom	1pc
H		Foot	2pcs

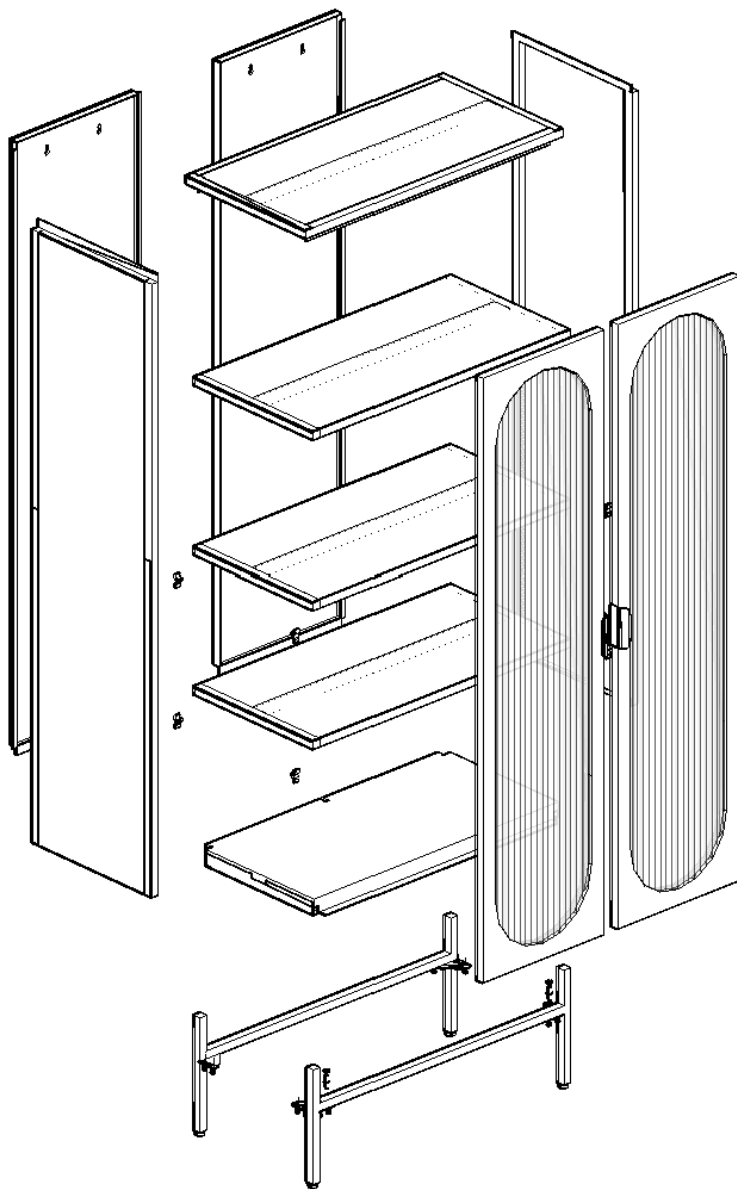
Assembly Instructions

Please read this before you proceed

I		Pin	2pcs
J		Washer	2pcs
K		Handle screw	4pcs
L		Foot fixers	4pcs
M		Expansion screw	2pcs
N		Hanging film	12pcs
O		Self-tapping screw	39pcs
P		Handle	2pcs
Q		Right Door	1pc

Assembly Instructions

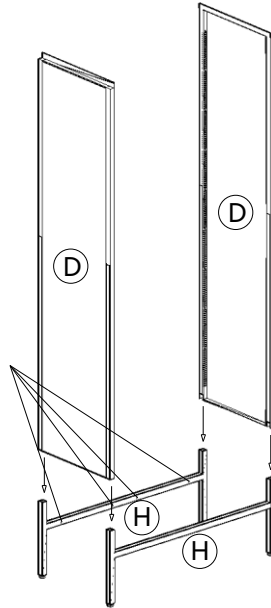
Explosion view



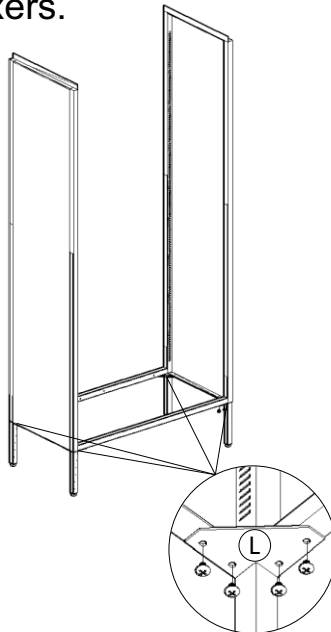
Assembly Instructions

- 1 Insert the side panel at the foot.

Make sure that the foot screw holes are placed in the inside during installation.

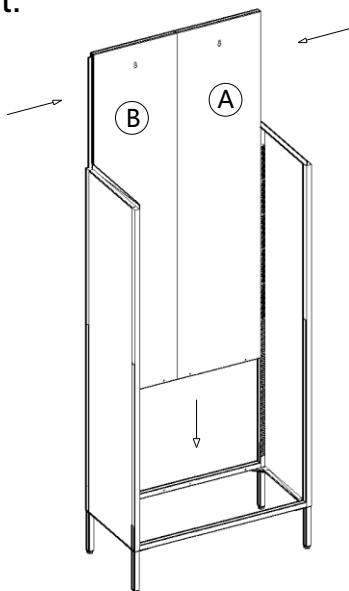


- 2 Install four foot fixers.

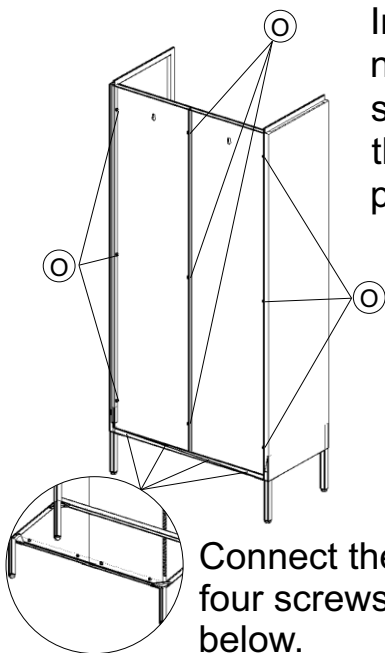


Assembly Instructions

- 3** After combining backplane 1 and backplane 2, install it into the cabinet.



4

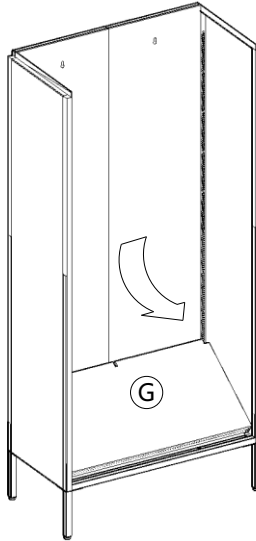


Install the
nine
screws of
the back
plane.

Connect the
four screws
below.

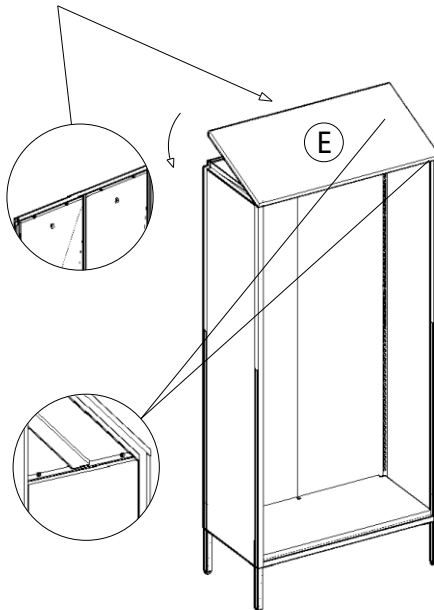
Assembly Instructions

- 5** Install the bottom.



Insert it diagonally and then flatten it.

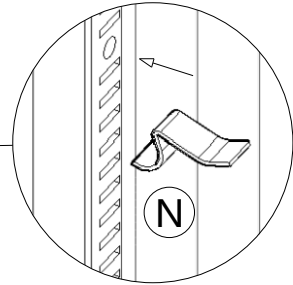
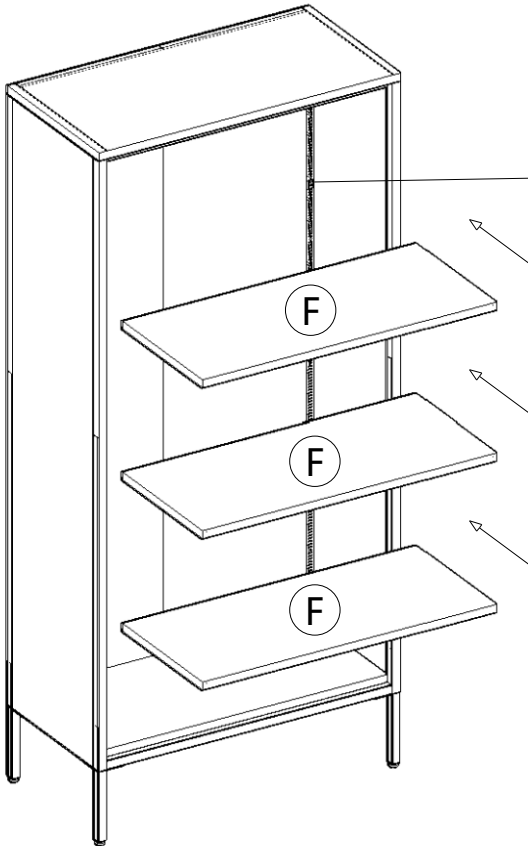
- 6** Install the top.



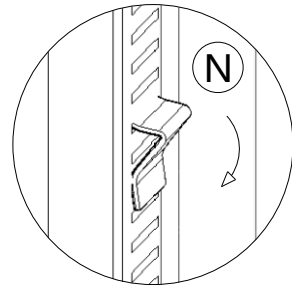
Connect the inner screw of the top and the back screw.

Assembly Instructions

7



1. Horizontal
insertion and
vertical
placement.

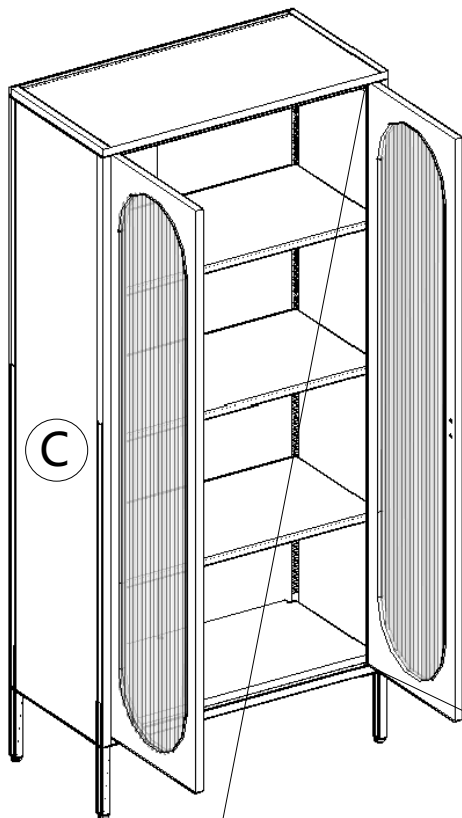
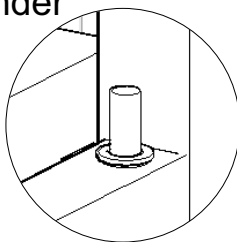
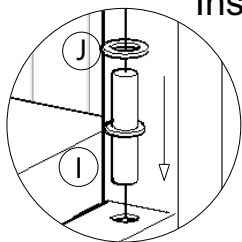


2. Then put in
the adjustable
shelf.

Assembly Instructions

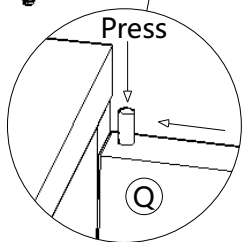
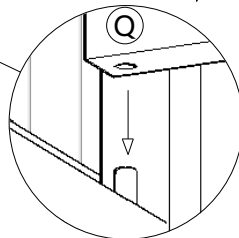
8

Install the pin under the cabinet



Take the right door as an example.

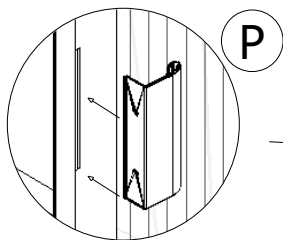
Q



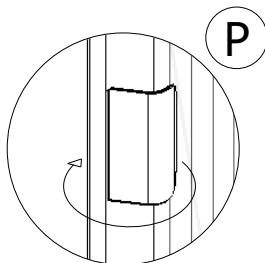
Insert the bottom hole of the cabinet door into the pin

Assembly Instructions

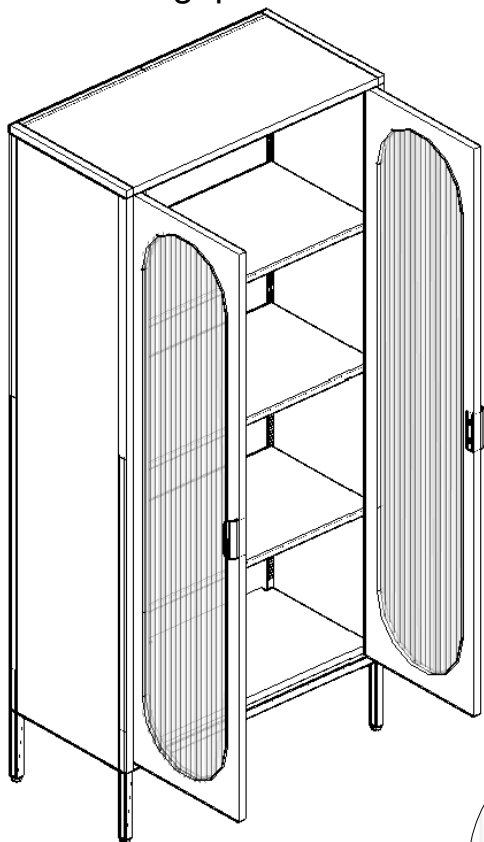
9



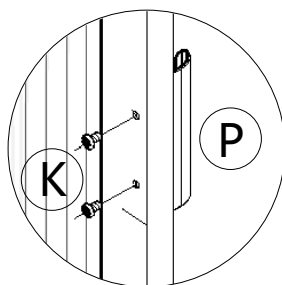
Insert a gap



Rotate 90°

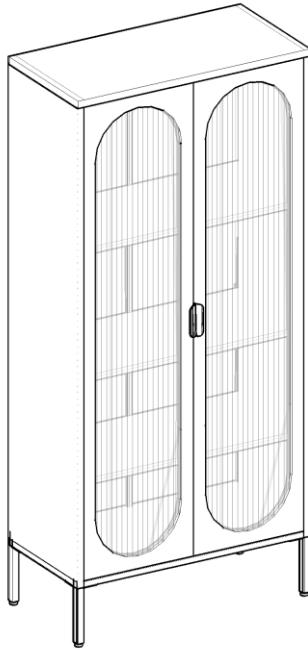


Use the handle screws to install the handle.

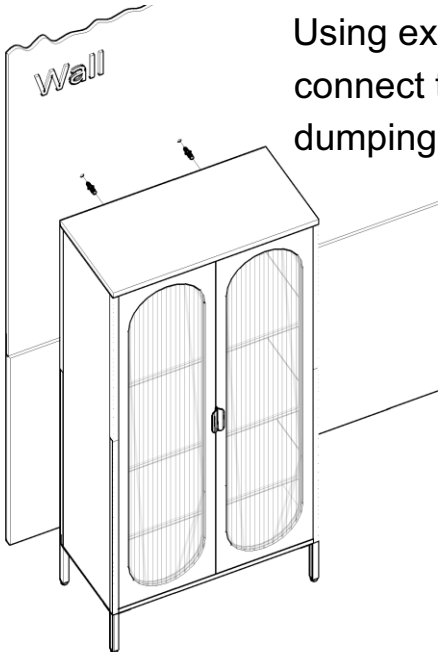


Assembly Instructions

10 Finish



11



Using expansion screws to connect to the wall can prevent dumping and make it stronger.