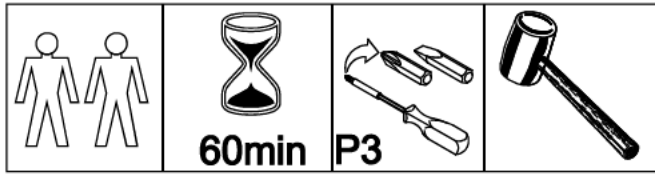


**3x**

**SPECIFICATION**



Thank you for choosing this furniture.

**BEFORE YOU START ASSEMBLY** please store the carton at room temperature for 48 hours or more so the contents can acclimatise.

**PLEASE RETAIN ALL PACKING UNTIL YOU HAVE COMPLETED ASSEMBLY.**

**Information about your Pine furniture.**

Our pine furniture ranges have been carefully crafted from solid wood and wood fibre based composite boards. Each piece of pine has unique characteristics such as knots, variances in shading and graining. These are part of the natural character of the furniture itself.

**Caring for your Pine furniture.**

Extreme temperature can cause slight movements in the wood itself so please avoid placing your furniture close to radiators or other direct sources of heat. Humidity should also be avoided.

Please avoid exposing your furniture to continued bright sunlight as it can affect the colour.

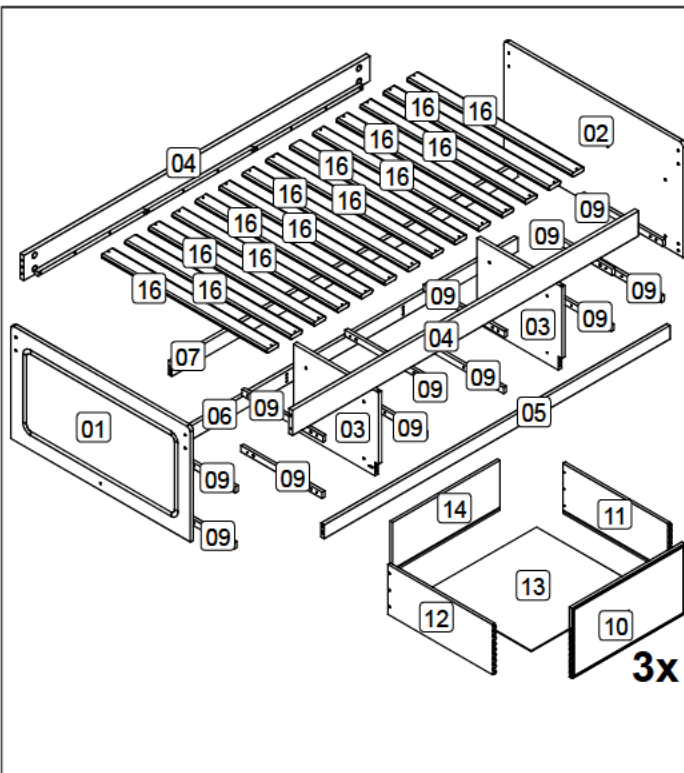
Any fluid spills should be removed as quickly as possible.

Always lift your furniture when moving as dragging may cause damage to your furniture or flooring.

**After care.**

Wipe the surfaces with a dry cloth and an occasional use of a normal household furniture polish. For the models with drawers, we also recommend you use household spray polish occasionally on drawer grooves and runners as this will aid use. Please do not use detergents or chemicals on your furniture.

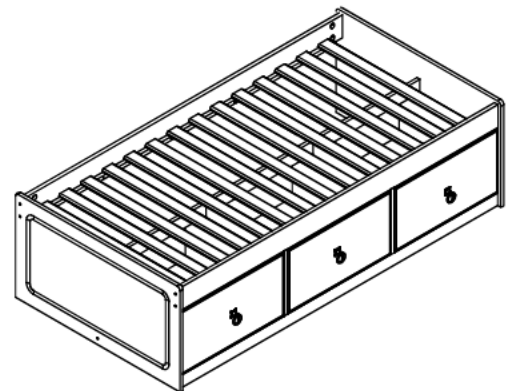
**PARTS LIST**



<b>A</b> x52 25mm Ø8	<b>B</b> x10 1/4 x 80 head.17 GREY	<b>C</b> x38 28mm Ø4,5 P3 GOLD
<b>D</b> x10 1/4	<b>E</b> x02 Please retain the allen key to re-tighten bolts when necessary	<b>F</b> x03
<b>G</b> x01 glue 10g	<b>Warning!</b> : Keep out of reach from children, Keep away from eyes, if product gets into eye rinse thoroughly and repeatedly with water. Do not digest, if swallowed seek medical advise from doctor.	<b>H</b> x18 30mm Ø3,5 P3 GOLD
<b>J</b> x36 25mm Ø4,0 P3 GOLD	<b>K</b> x03 3/16 x 5/8	<b>L</b> x03 OLD GOLD
<b>M</b> x12	<b>N</b> x12 16mm Ø3,0 P3 GOLD	<b>X</b> x01 RED = PAINT <b>Warning!</b> The RED sachet contains touch up paint for your furniture. Please retain for use should you require it at any point in the future. Application is best with a small paint brush which can be cleaned in water after use. Keep out of reach from children, keep away from eyes, if product gets into eye rinse thoroughly and repeatedly with water. Do not digest, if swallowed seek medical advise from doctor.

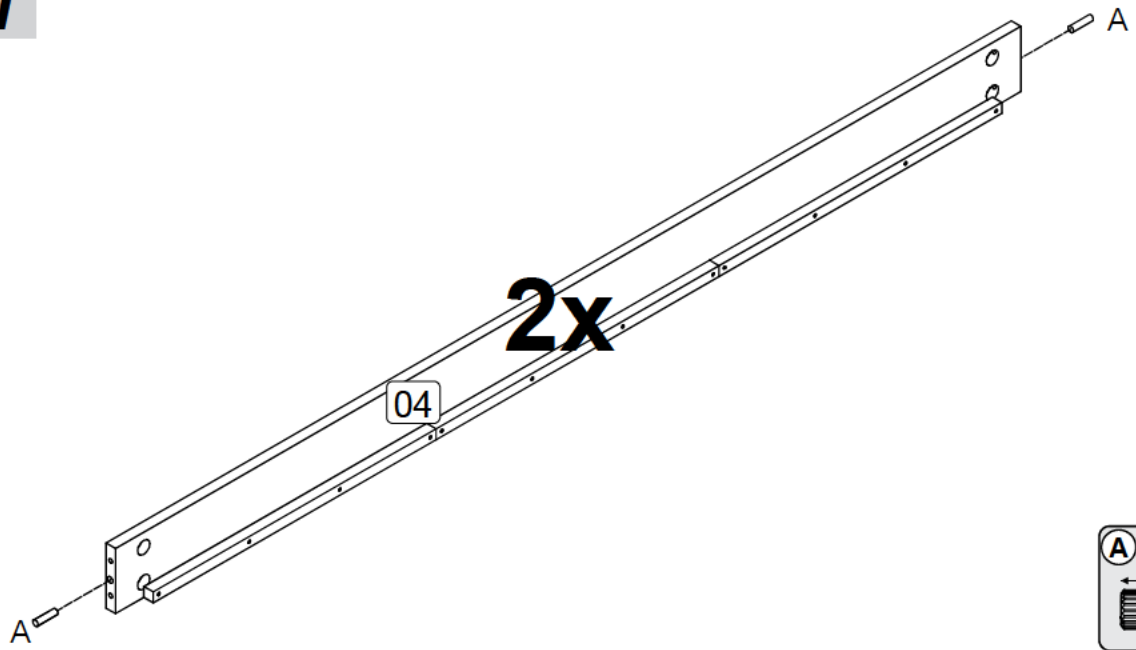
**BEFORE YOU START ASSEMBLY**

Please check that you have all the correct parts and fittings as detailed on the assembly instructions.

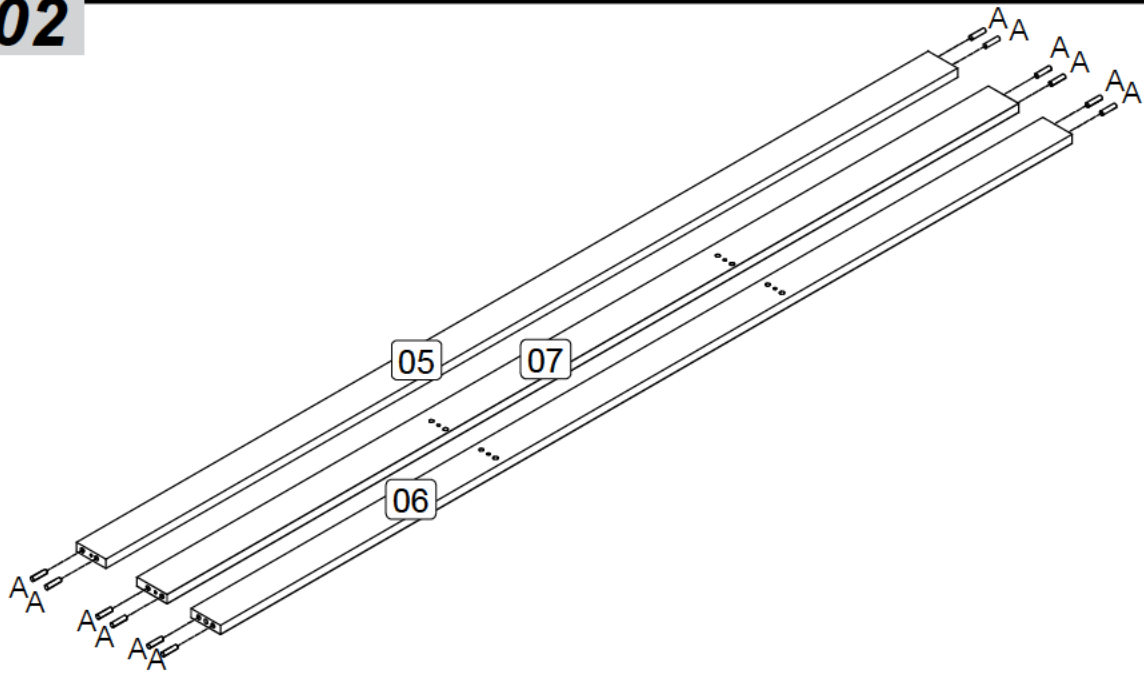


Batch Number 2020-0000

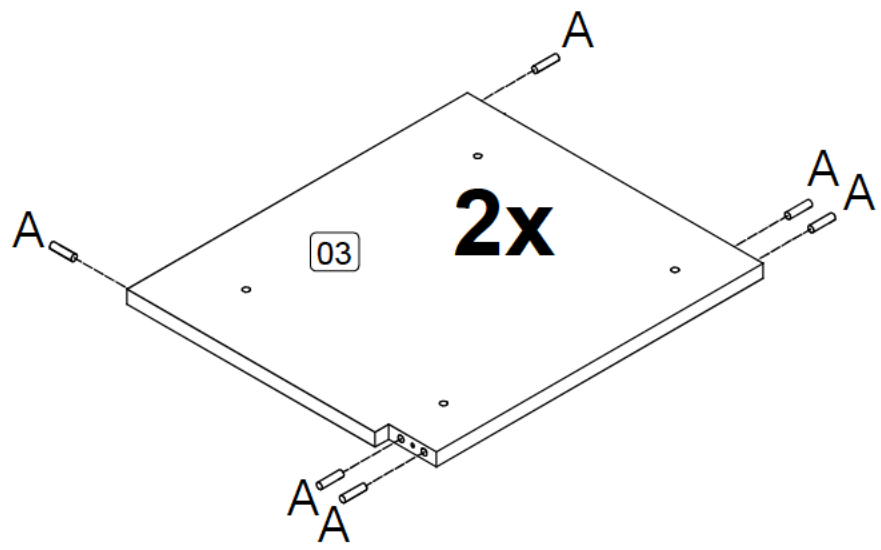
01



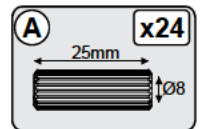
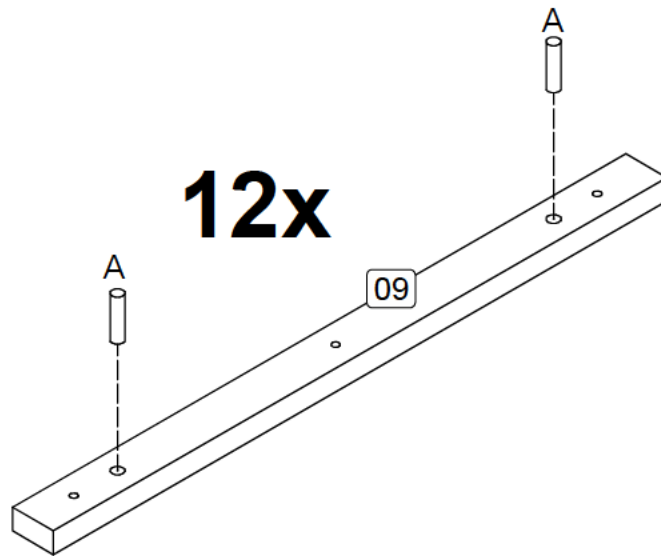
02



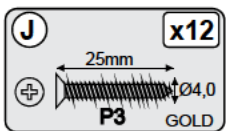
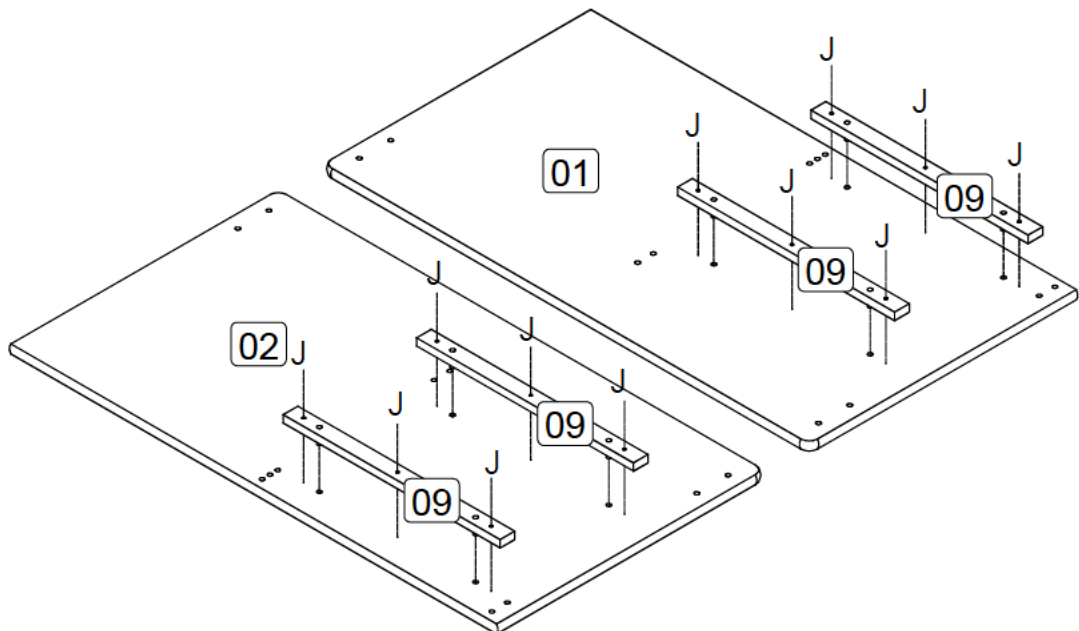
03



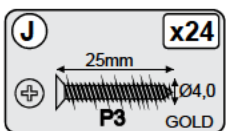
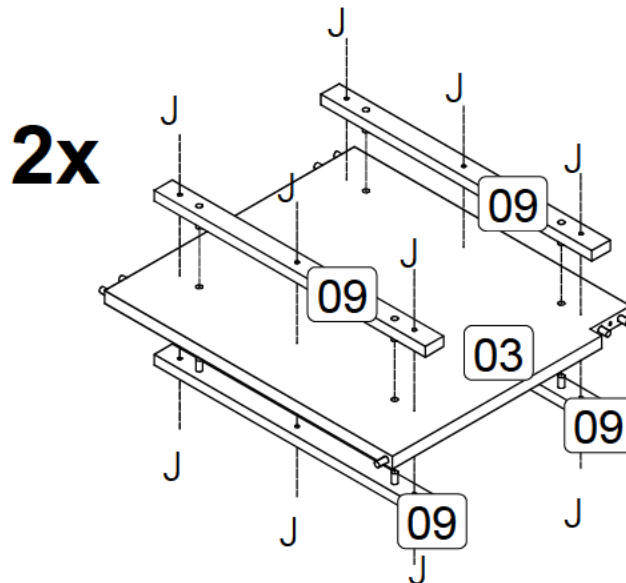
04



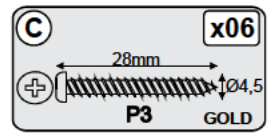
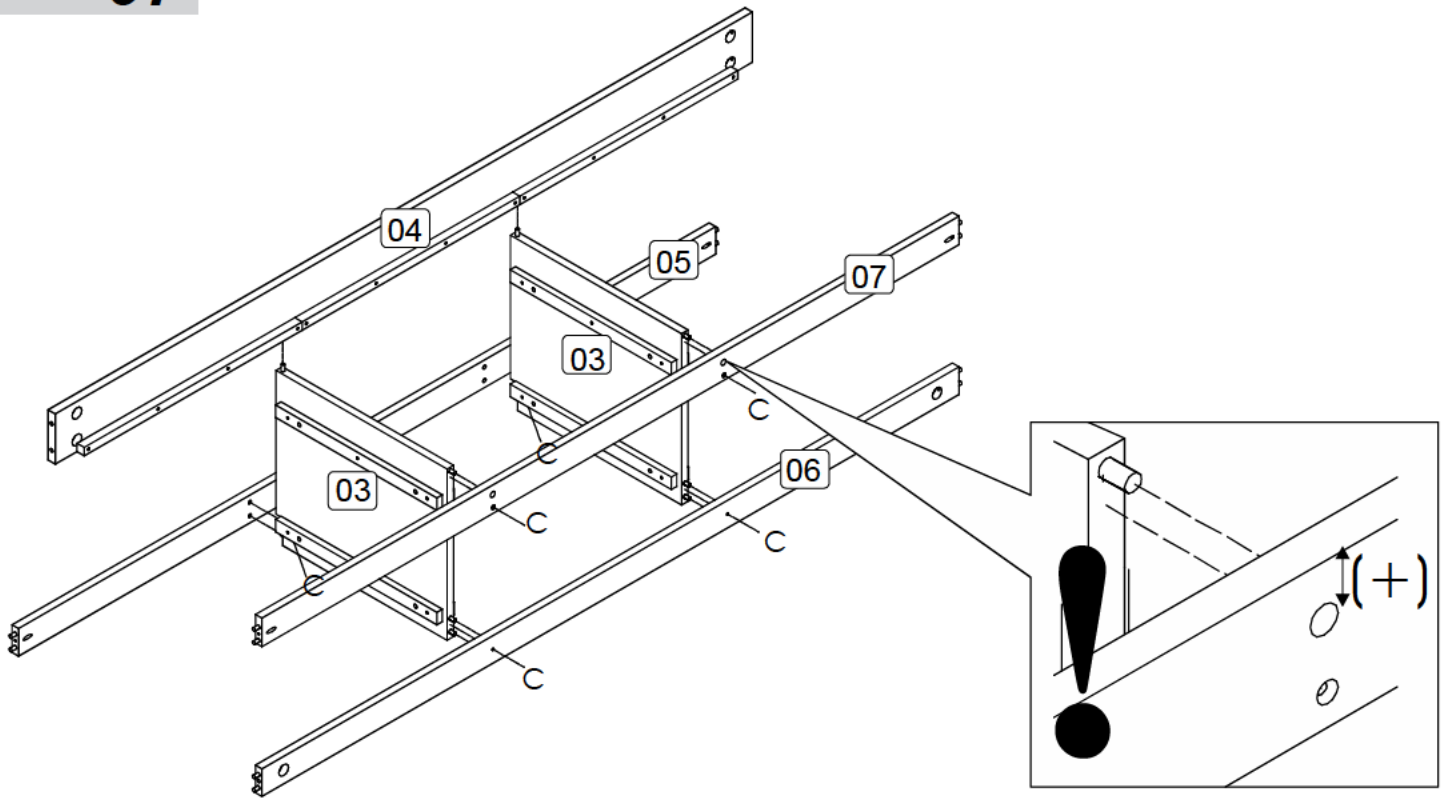
05



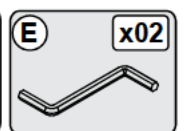
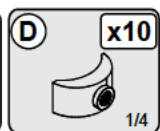
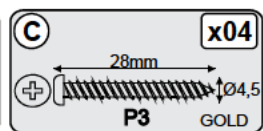
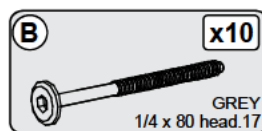
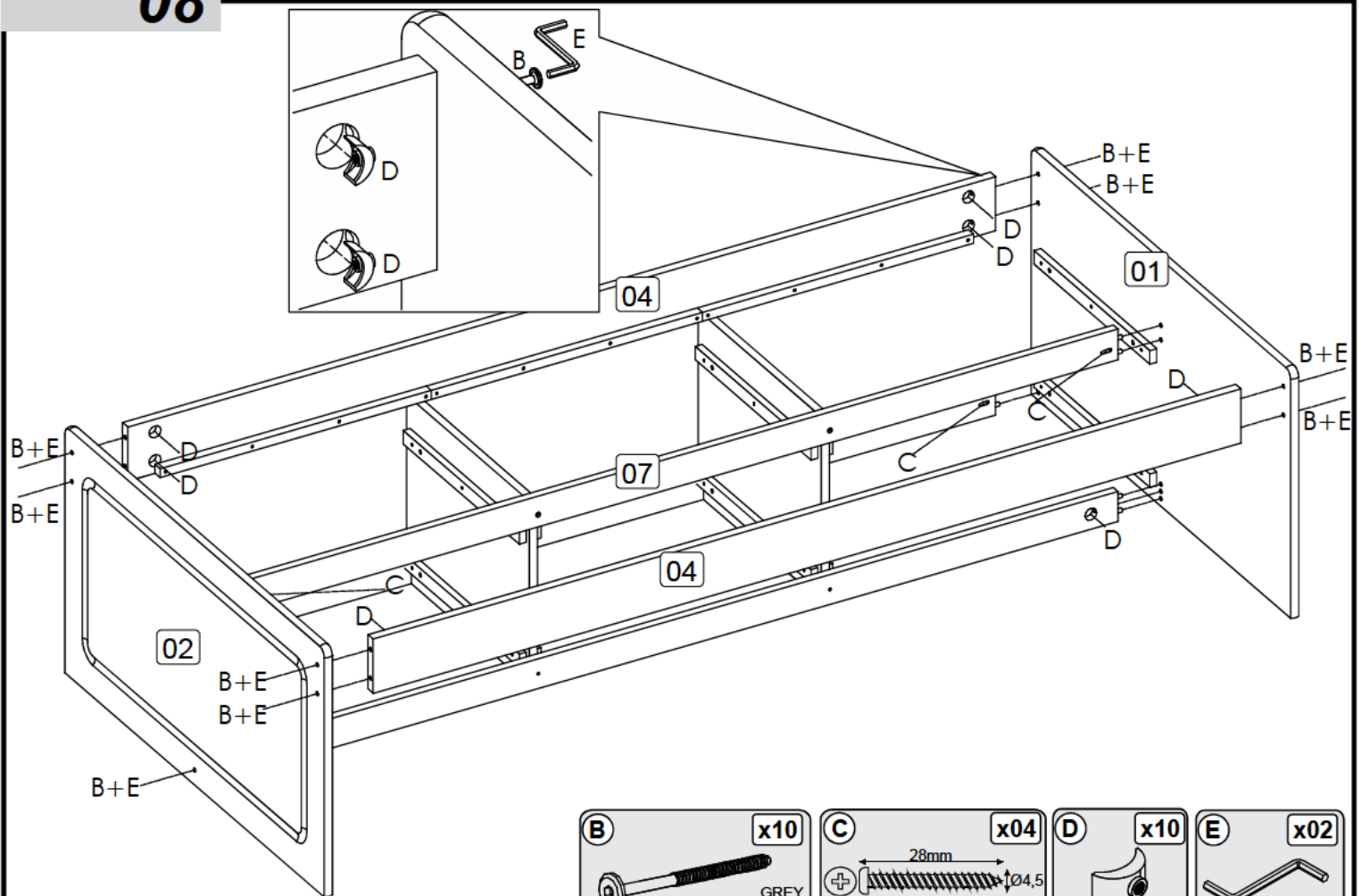
06

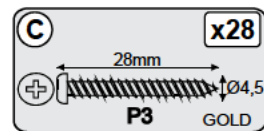
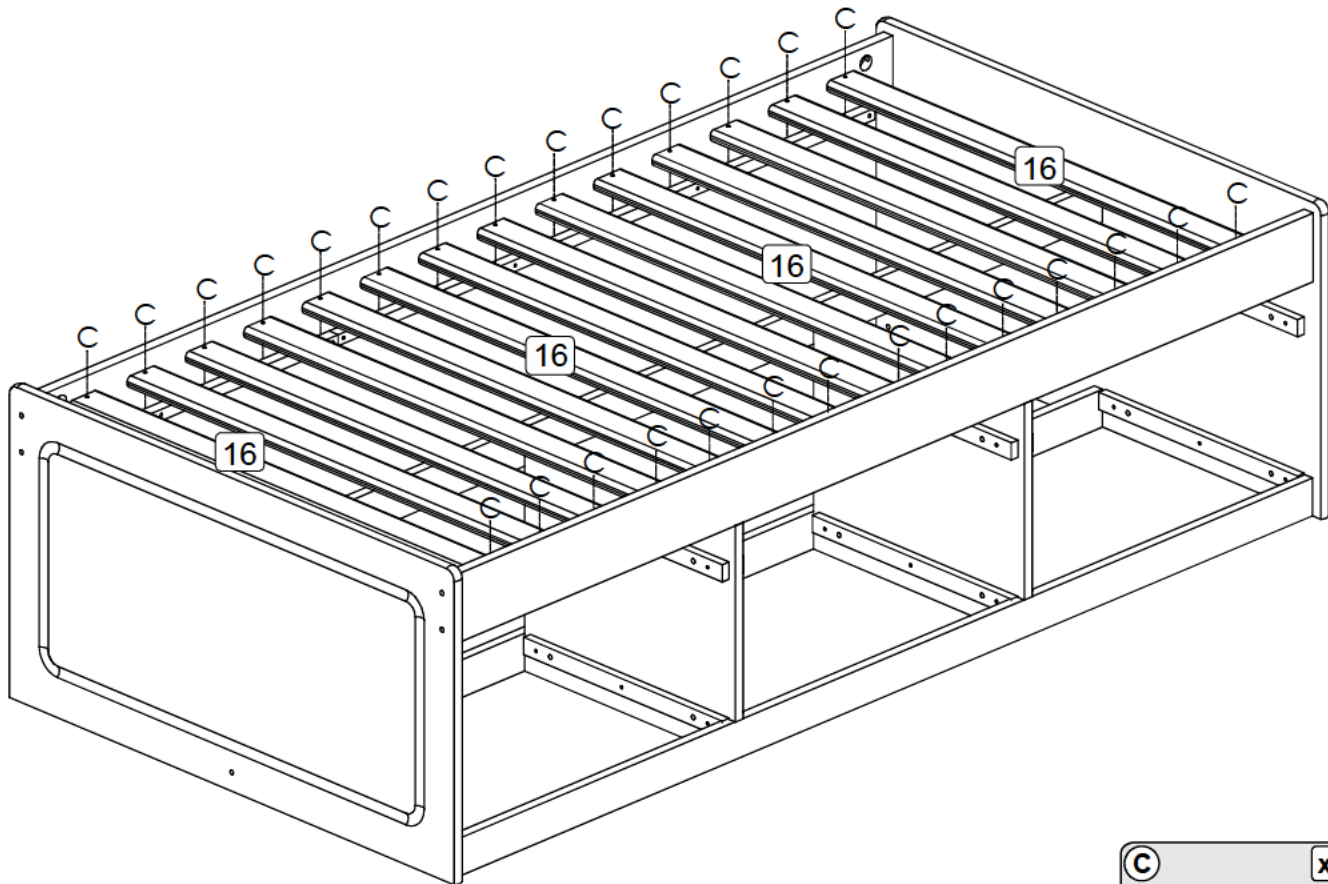


# 07

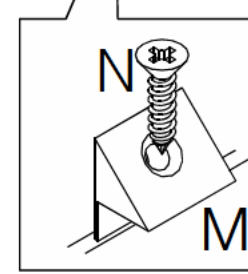
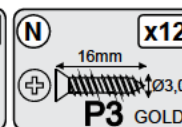
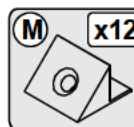
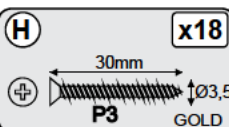
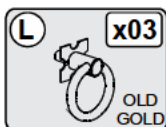
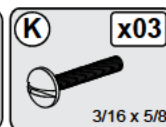
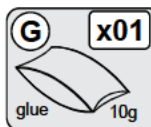
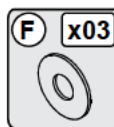
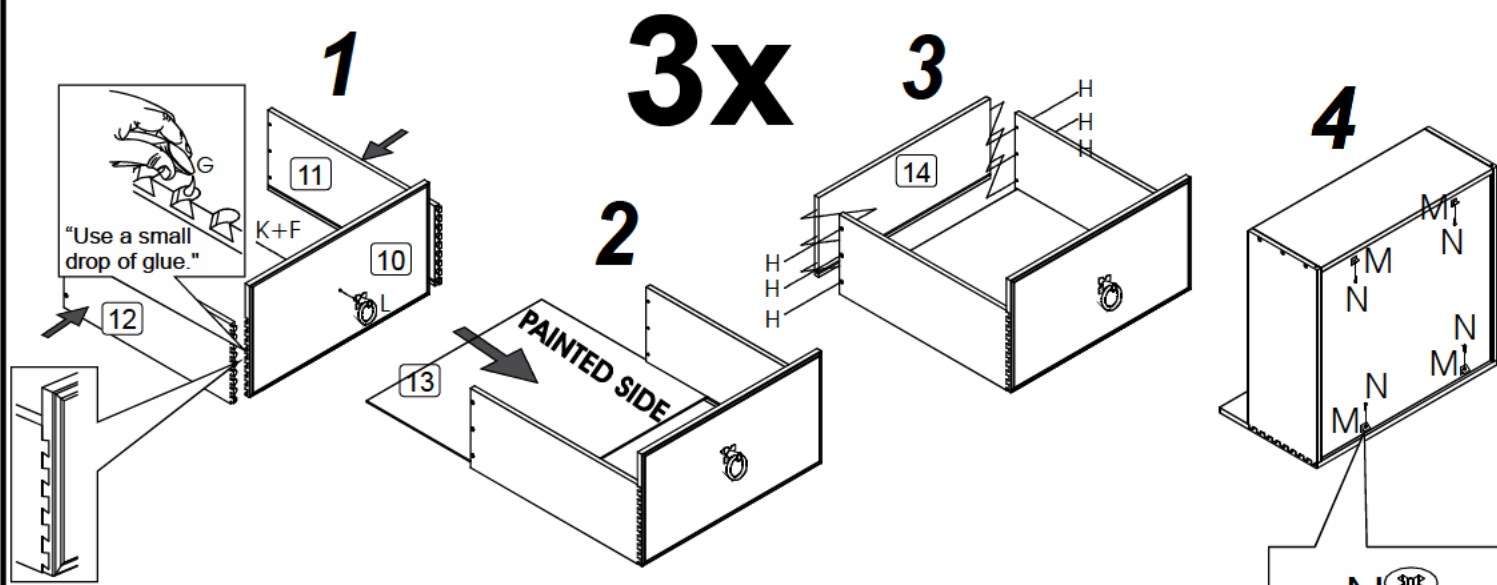


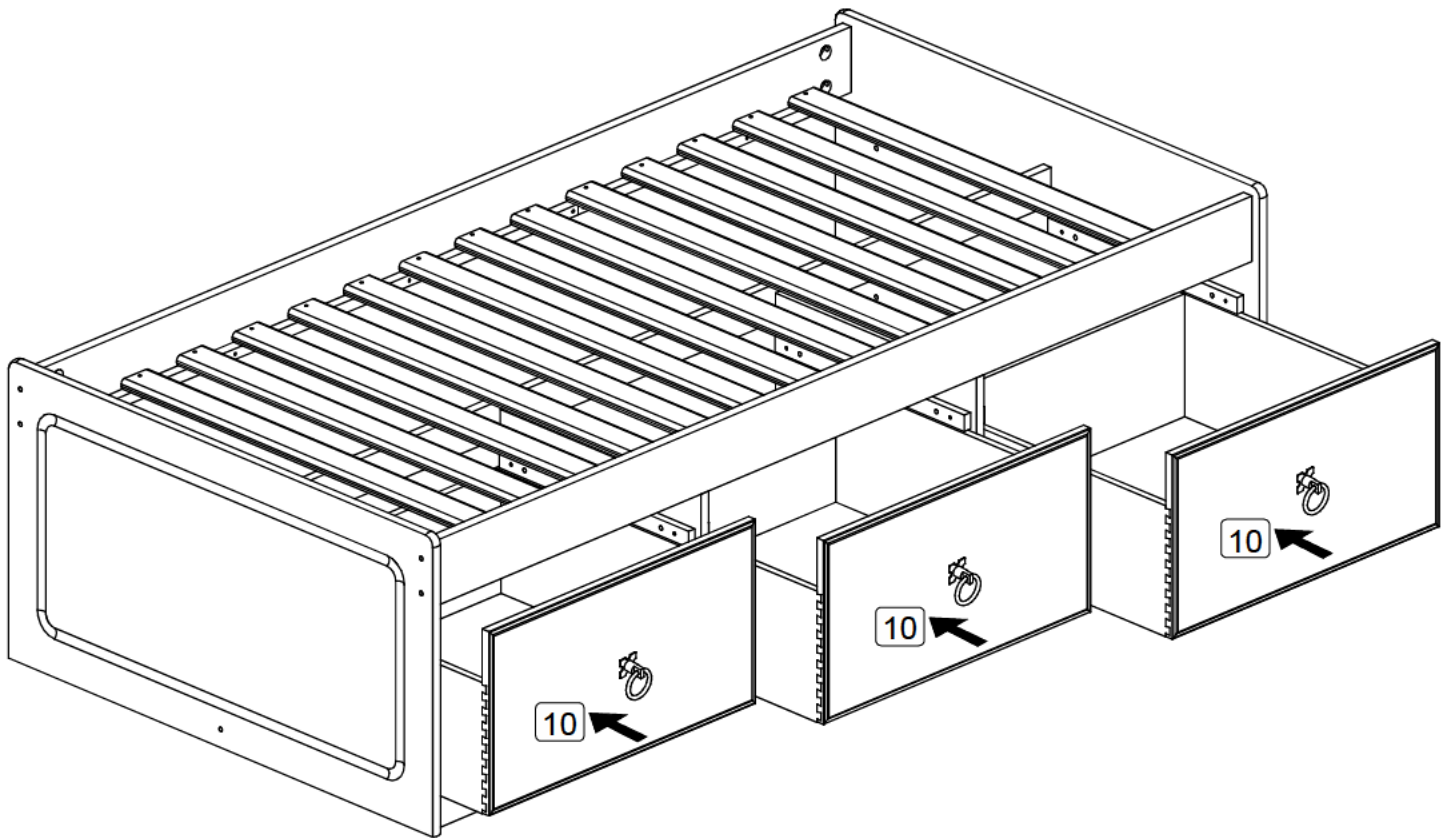
# 08






"Join drawer sides to drawer fronts with caution not to damage dovetail joints. Tap gently up and down the drawer side until fully inserted into drawer front."





**X** **x01** The RED sachet contains touch up paint for your furniture. Please retain for use should you require it at any point in the future. Application is best with a small paint brush which can be cleaned in water after use.



RED = PAINT