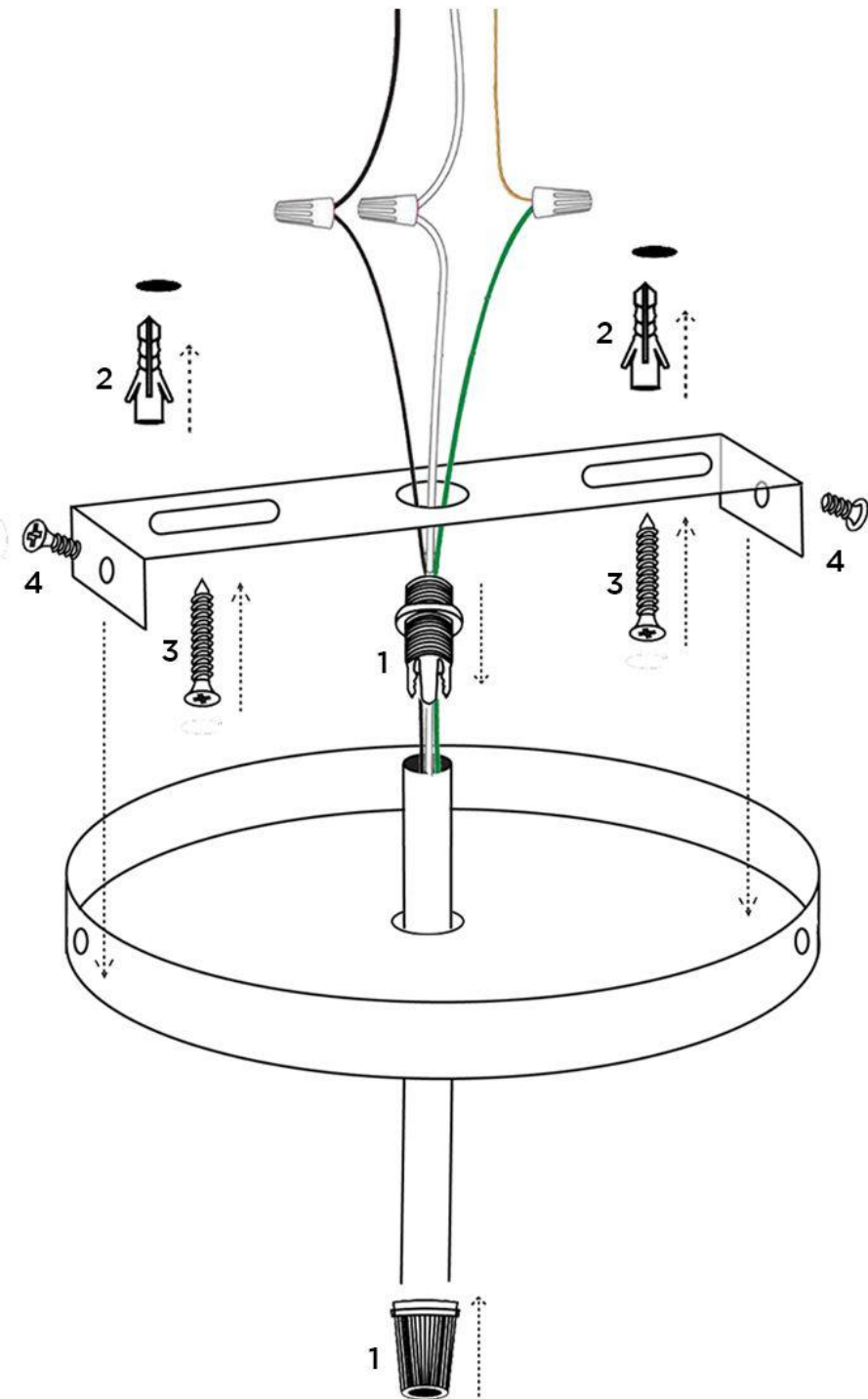


# PENDANT LAMP INSTALLATION GUIDE



## Adjust length:

1. Adjust the the hanging cord to desired length
2. Secure the length by screwing in the wire grip (1)

## Mounting:

1. Place the metal fixture bracket on the ceiling
2. Make two holes to screw plastic plugs (2) inside the ceiling
3. Use long screws (3) to secure the bracket into the plastic plugs in the ceiling

## Wiring:

1. Turn off the power circuit
2. Locate the positive (black), negative (white), and ground (green or bare copper) wires
3. Strip the end of the wires to expose the stranded copper wire
4. Connect matching wires with wire connectors and wrap with electrical tape
5. Secure the canopy and bracket together by fixing them with short screws (4)