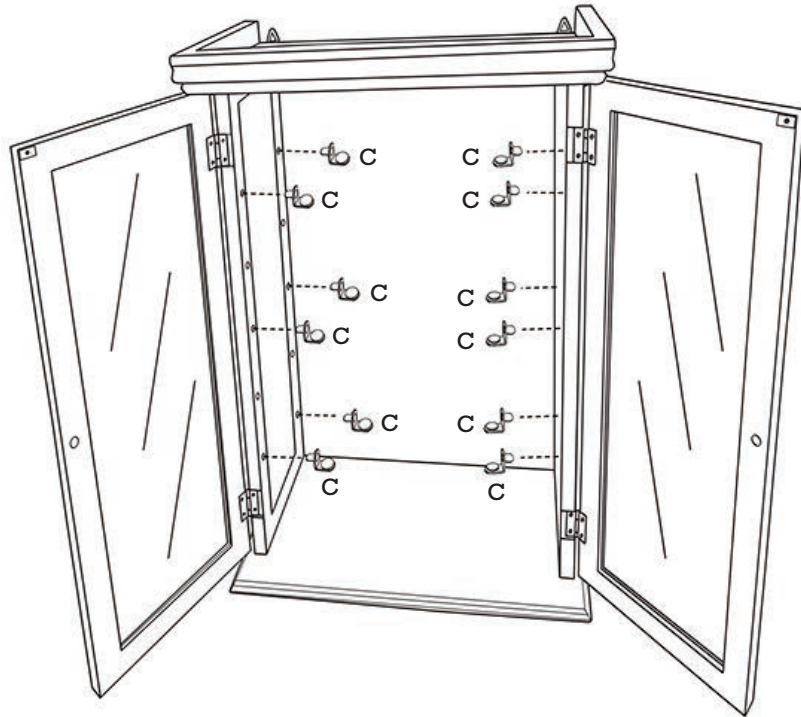


INSTRUCTIONS FOR YOUR PRODUCT

Thank you for your recent purchase of this hand-crafted piece of furniture art. We have taken great care to create this piece especially for you. Please review these instructions and assemble this piece with care.



Parts

A (2 PCS)

B (2 PCS)



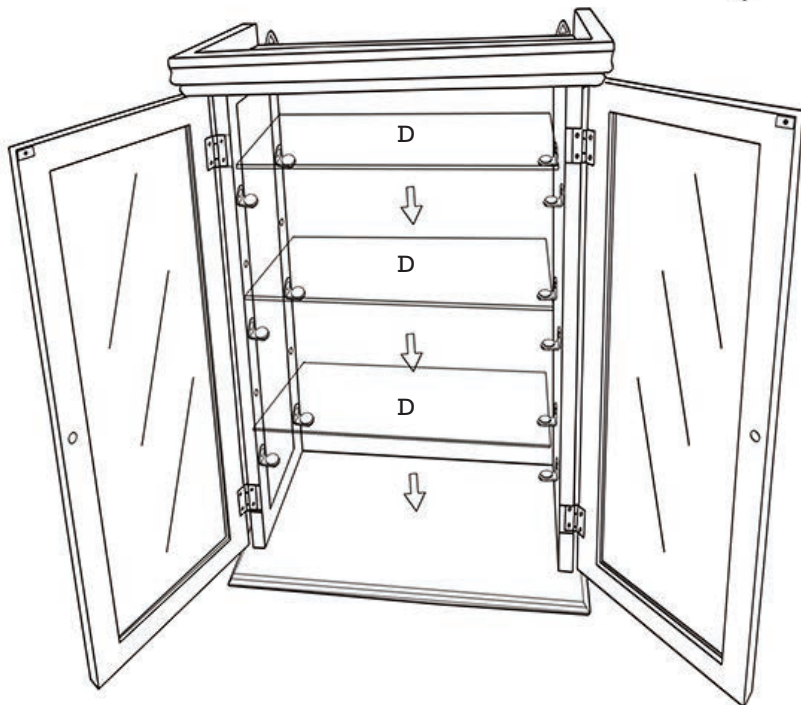
C (12 PCS)

D (3 PCS)



Step 1

Place shelf supports (C) in desired positions. Repeat 12 times.



Step 2

Place glass shelf (D) onto the shelf supports (C). Repeat 3 times.

Step 3

Using anchors (A) and screws (B) provided, mount securely to your wall.

Note: Maximum weight limit is 10 lbs. (4.5 kgs.)

**THANK YOU
FOR YOUR PURCHASE**