

## NOTICE

- \* Please make sure that you have all parts indicated and they are in good condition before you begin assembly of this item. Refer to part list and hardware list below for guidance.
- \* This item should be assembled on a soft surface to prevent scratching the finish during assembly.
- \* This item may require periodic tightening.
- \* If you are having difficulty, our friendly Customer Care team is always here to help. Please Email [customersupport@safavieh.com](mailto:customersupport@safavieh.com)

## PREPARATION

- \* Before beginning assembly of product, make sure all parts are present. Compare parts with part contents list and hardware contents list.
- \* If any part is missing or damaged, do not attempt to assemble the product.
- \* Estimated Assembly Time: 45 minutes.
- \* Tools Required for Assembly (included): Allen Key, Screwdriver (Not Included)

## CARE AND MAINTENANCE

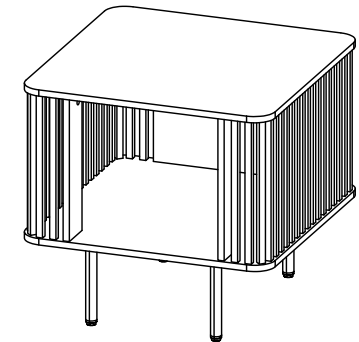
**WOOD CARE:** Adhesive felt pads should always be applied to areas of furniture which make direct contact with flooring, said application will prevent damage to the furniture and or surfaces on which the furniture lies. Objects placed on articles of furniture should rest on nonabrasive material as to prevent damage to the wood finish. Wipe up spills immediately and avoid common hazards such as hot dishes, harsh solvents and abrasives. Cleaning should be done with a soft lint free cotton cloth dampened with water or furniture polish.

**INDOOR METAL / ALUMINUM FURNITURE:** Wipe spills immediately. Maintain with regular dusting and clean with mild soap and water, dry thoroughly and do not use a brass cleaner. Adhesive felt pads should always be used / applied in order to prevent damage to the furniture or surfaces on which the furniture is placed.



ITEM ID: ACC3600A

ITEM DIMENSTION: 23.62" X 23.62" X 22.44"



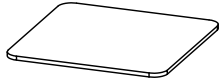



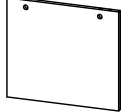

**⚠️WARNING⚠️**








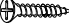


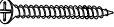

Weight Capacity - 77.25 LBS

Warning : Do not stand on Accent Table

Warning : Do not over torque bolts

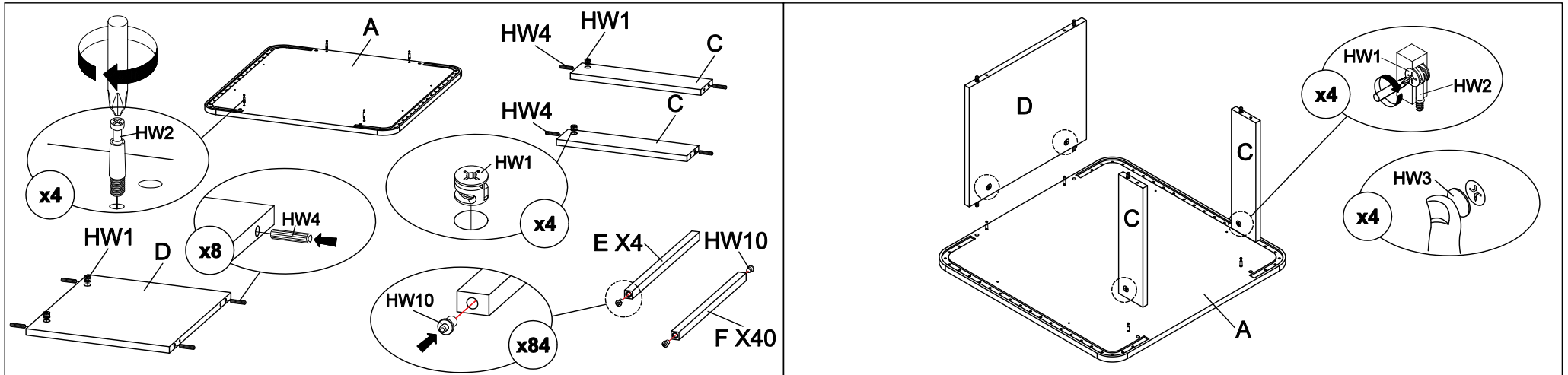
## Part List and Hardware List

PIECE	DISCRIPTION	PICTURE	QTY	PIECE	DISCRIPTION	PICTURE	QTY	PIECE	DISCRIPTION	PICTURE	QTY
<b>A</b>	TOP PANEL		X1	<b>C</b>	SIDE SUPPORT		X2	<b>E</b>	SUPPORT CABINET FRAME		X4
<b>B</b>	BOTTOM PANEL		X1	<b>D</b>	BACK SUPPORT		X1	<b>F</b>	SIDE CABINET FRAME		X40

<b>HW1</b>	MINIFIX CAM		X4	<b>HW5</b>	M6 X 50MM CSK CAP WOOD SCREW		X4	<b>HW9</b>	(S059) L BRACKET		X4
<b>HW2</b>	MINIFIX BOLT		X4	<b>HW6</b>	ALLEN KEY M4		X1	<b>HW10</b>	SPRING DOOR SUPPORT		X84
<b>HW3</b>	MINIFIX CAP		X4	<b>HW7</b>	M3.5 X 16MM C.B SCREW		X16	<b>HW11</b>	METAL LEG		X4
<b>HW4</b>	M8 X 30MM WOOD DOWEL		X8	<b>HW8</b>	M4 X 32MM C.B SCREW		X4	<b>HW12</b>	M3 X 12MM C.B SCREW		X8

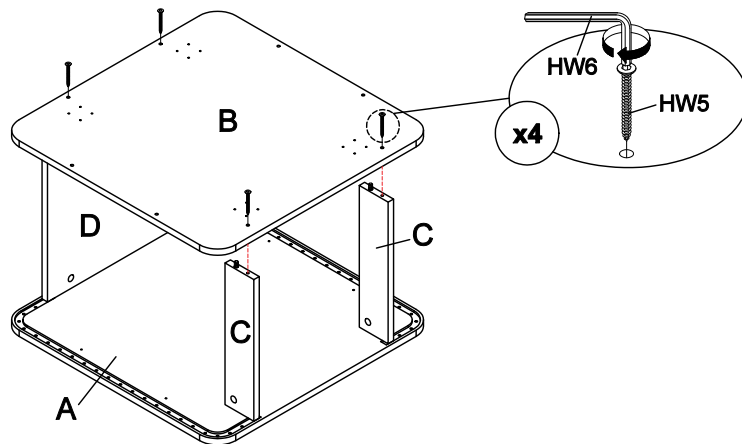
# PREPARATION

- \* Before beginning assembly of product, make sure all parts are present. Compare parts with part contents list and hardware contents list.
- \* If any part is missing or damaged, do not attempt to assemble the product.
- \* Estimated Assembly Time: 45 minutes.
- \* Tools Required for Assembly (included): Allen Key , Screwdriver (not included)

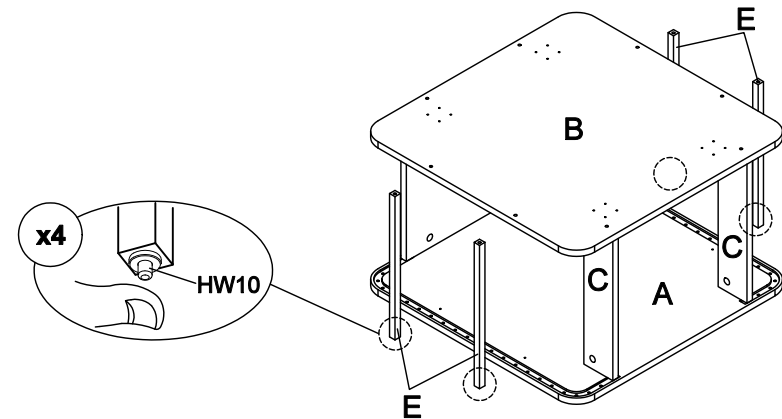


**STEP 1: INSERT HARDWARE (HW2) ONTO PANEL (A). INSERT HARDWARE (HW1, HW4) INTO PANEL (C, D). INSERT HARDWARE (HW10) TO PART (E, F).**

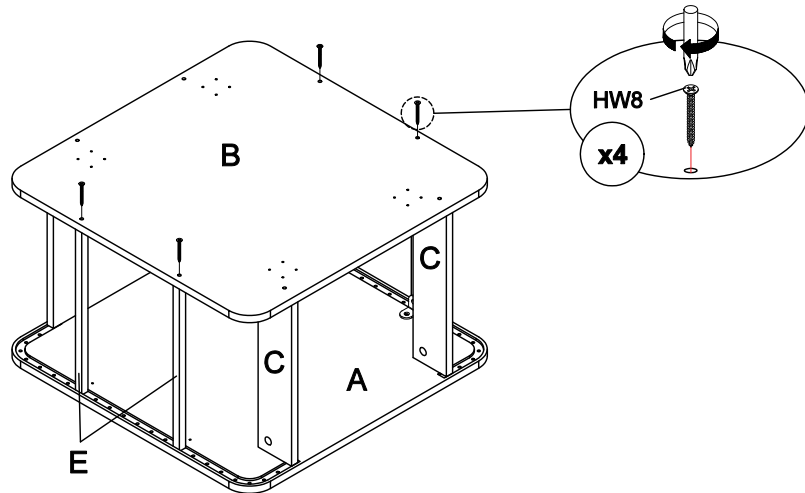
**STEP 2: ATTACH PANEL (A) TO PANEL (C, D). INSERT ALL HARDWARE (HW2) INTO (HW1). ROTATE ALL (HW1) UNTIL TIGHT. APPLY (HW3) ONTO ALL (HW1).**



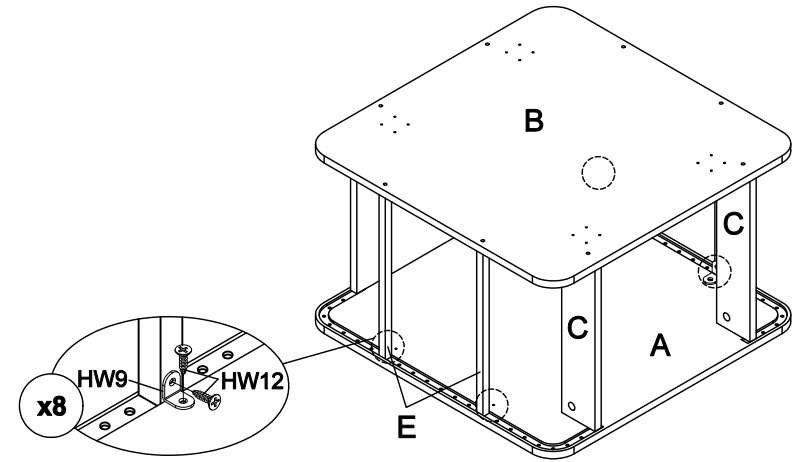
**STEP 3: CONNECT PANEL (B) TO PANEL (C, D) BY USING HARDWARE (HW5, HW6).**



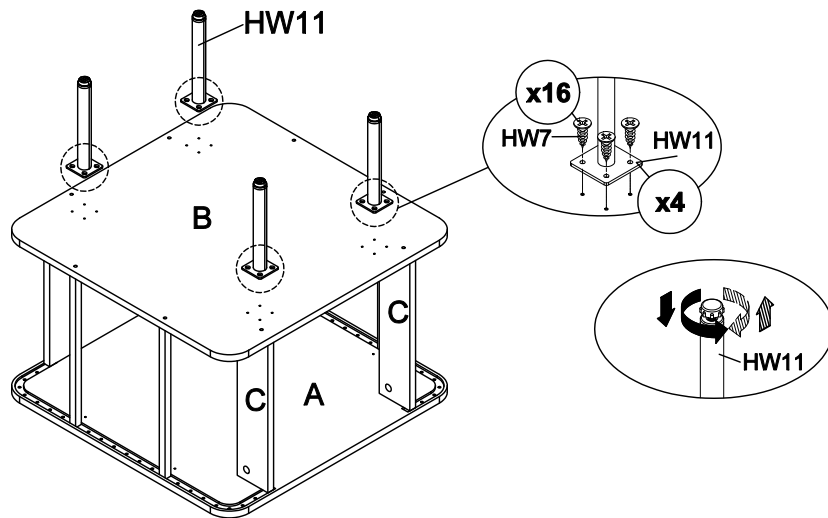
**STEP 4: PRESS HARDWARE (HW10) AND INSERT PART (E) IN BETWEEN PANEL (A, B).**



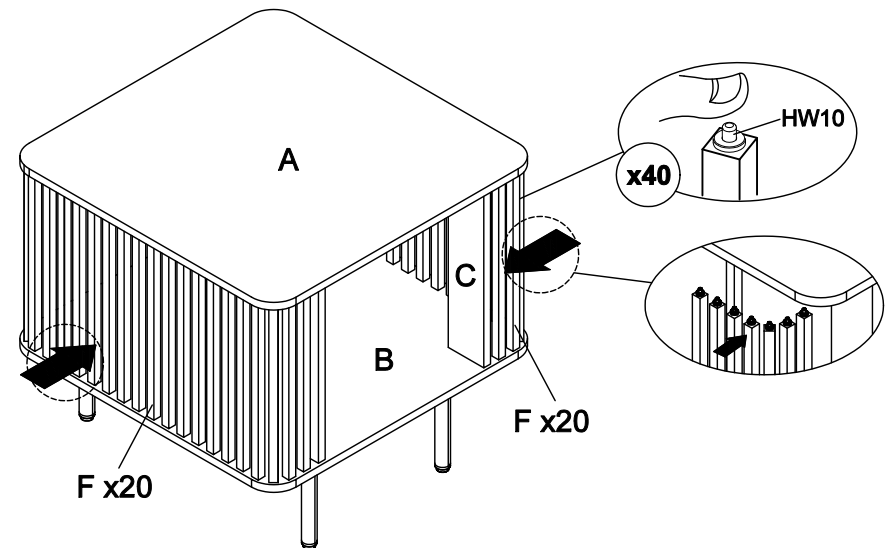
**STEP 5: ASSEMBLE PANEL (B) WITH PART (E) BY USING HARDWARE (HW8).**



**STEP 6: ATTACH HARDWARE (HW9) TO PANEL (A) AND PART (E) BY USING HARDWARE (HW12).**



**STEP 7: ATTACH HARDWARE (HW11) TO PANEL (B) BY USING HARDWARE (HW7).**



**STEP 8: PRESS HARDWARE (HW10) AND INSERT PART (F) IN BETWEEN PANEL (A, B).**