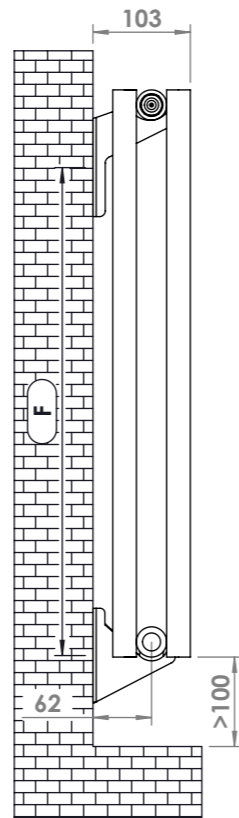
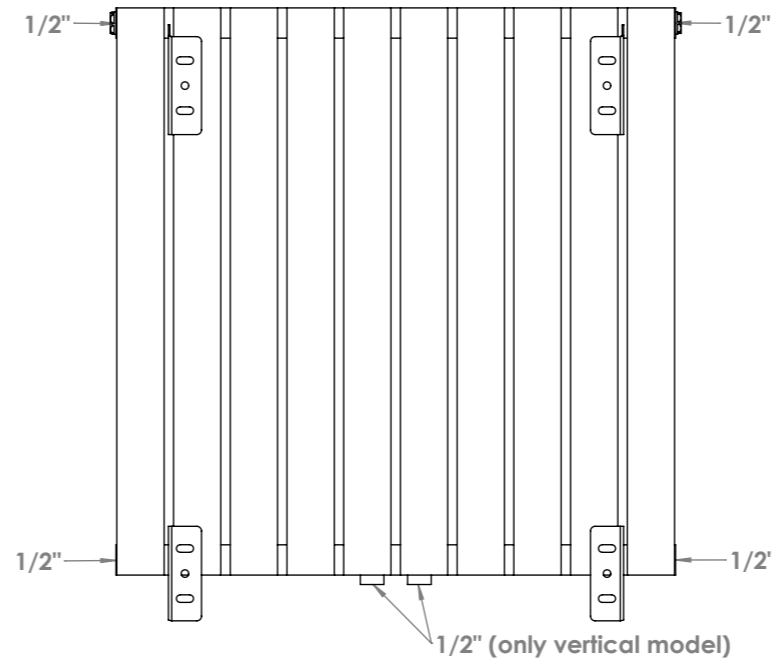


Front View

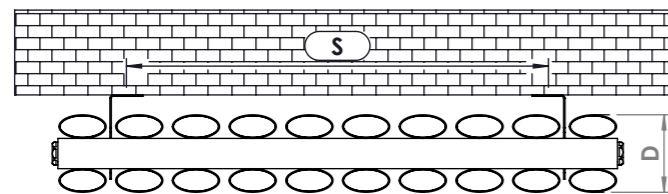
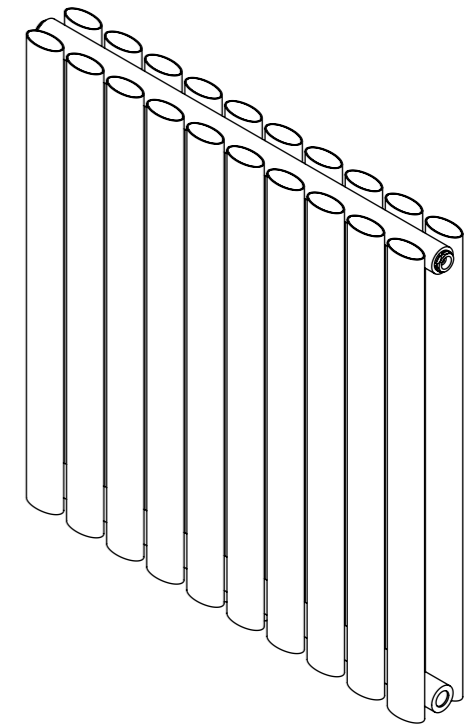
C1*:available for vertical model



Side View

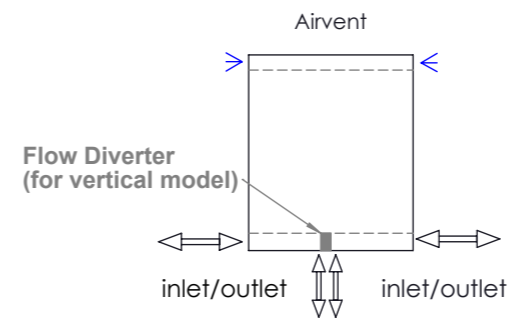


Back View



Top View

**Plumbing Position:
Vertical**



For Vertical Models:
When mounting vertically, please observe that the collector fitted with a flow diverter is mounted at the bottom. This can be verified by visually checking or by referring to the installation diagram

Vertical mount
All Dimensions are in mm
Max.Working Pressure: 10 Bar
Max.Working Temperature: 95° C
Inlet / Outlet : 1/2" BSP
Fuel : E/H/D

Height	Length	Depth	Pipe Centres		Bracket Centres	
			C1-C	F	S	S
mm	mm	mm	mm	mm	mm	mm
420	412	82	502	330	265	
420	472	82	562	330	325	
420	592	82	682	330	445	
420	712	82	802	330	565	
420	832	82	922	330	685	
420	952	82	1042	330	805	
420	1072	82	1162	330	925	
420	1192	82	1282	330	1045	
420	1312	82	1402	330	1165	
420	1552	82	1642	330	1405	
420	1672	82	1762	330	1525	
600	352	82	442	510	205	
600	472	82	562	510	325	
600	592	82	682	510	445	
600	712	82	802	510	565	
600	832	82	922	510	685	
600	952	82	1042	510	805	
600	1072	82	1162	510	925	
600	1192	82	1282	510	1045	
600	1312	82	1402	510	1165	
600	1432	82	1522	510	1285	
600	1552	82	1642	510	1405	
600	1672	82	1762	510	1525	
1500	292	82	50-382	1410	145	
1500	412	82	50-502	1410	265	
1800	292	82	50-382	1710	145	
1800	412	82	50-502	1710	265	
1800	532	82	50-622	1710	385	
2000	292	82	50-382	1910	145	
2000	412	82	50-502	1910	265	
2000	532	82	50-622	1910	385	

Installation Accessories:

