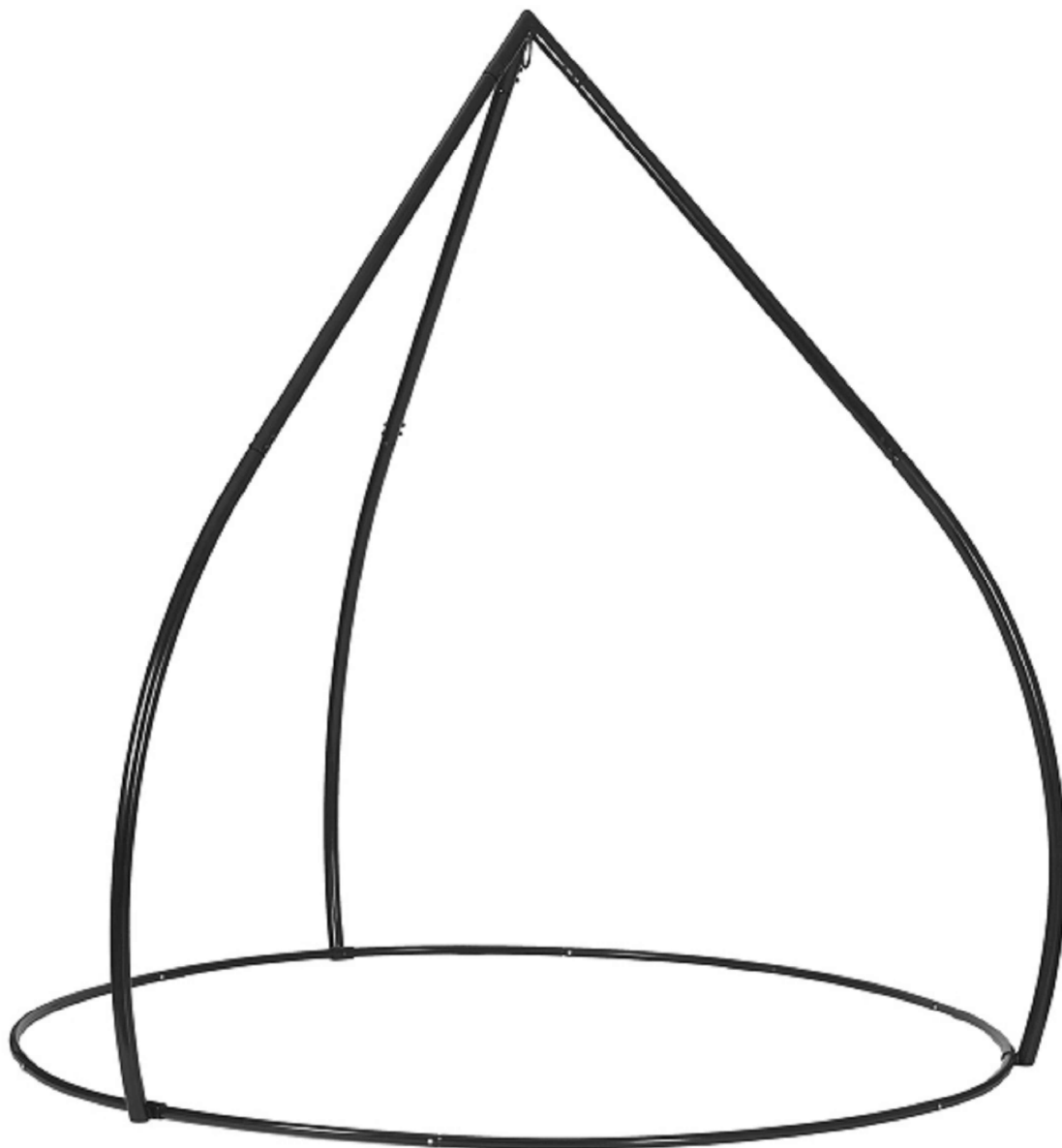


ASSEMBLY INSTRUCTIONS

Hanging Furniture Stand



FlowerHouse[®]

www.flowerhouses.com (810) 686-8252

INTRODUCTION

Thank you for purchasing the Hanging Furniture Stand! We have designed this stand for maximum safety. Please read this document carefully when assembling (you are ultimately responsible for your safety).

FEATURES

Decorative Frame
Single-point Hanger
Compatible with FlowerHouse Flying Saucer

SPECIFICATIONS

Assembled Height = 8ft. (2.4m.)
Assembled Width = 8ft. (2.4m.)
Weight = 60lbs. (27kg.)

WARNING

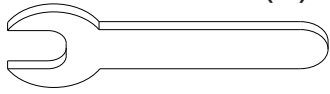
Follow these warnings to ensure your safety while using this

- This product is NOT a toy - it is only for adult resting.
- Do not allow more than two adults to sit on (weight limit is 400lbs.).
- Be sure to install the stand on a level, floor or outdoor surface.
- Never stand or hang from the frame.
- Do not use the frame in high winds.
- Always inspect joints periodically and tighten any loose bolts.
- If any damage is found during inspection, immediately remove from service.
- Do not position the frame close to a camp fire or open water.

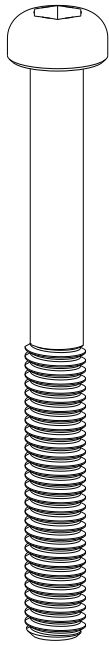
PARTS LIST

Be sure to check that all parts of the chair have been shipped below:

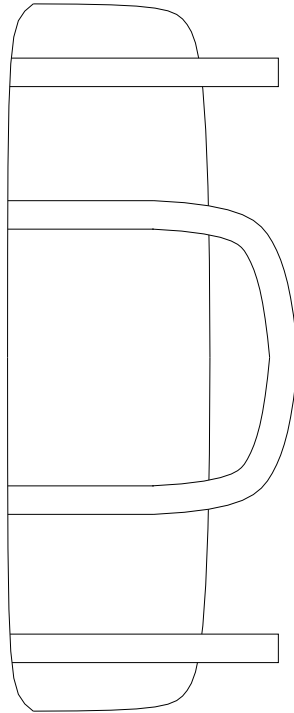
Crescent
Wrench (1)



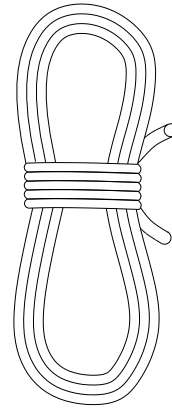
Hex
Wrench (1)



Long Black Round
Head Bolt (8)



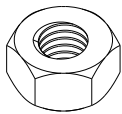
Carry Bag (1)



Rope (1)

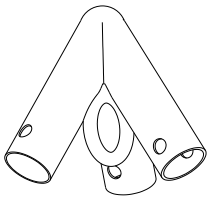


Carabiner (1)

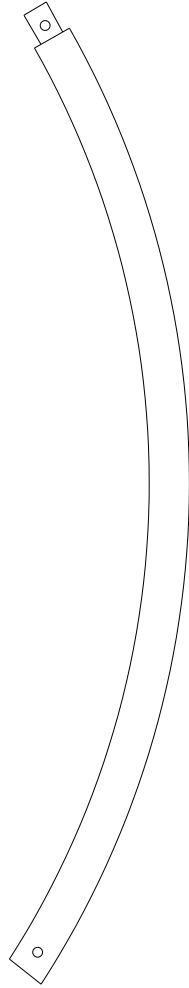


Large Nut (8)

PARTS LIST (cont.)



**Tripod
Top (1)**



**Curved
Base
Poles (9)**



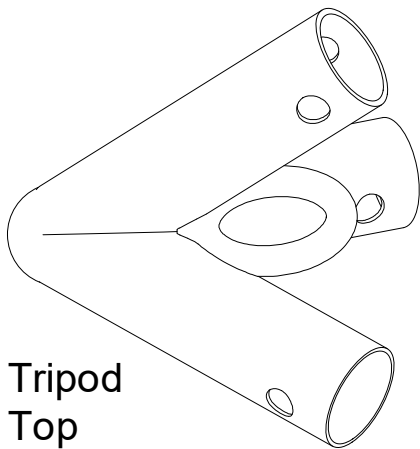
**Curved
Arms (3)**



**Straight
Arms (6)**

ASSEMBLY

The Hanging Hammock Flying Saucer with Stand requires a lot of room to assemble - consider assembling in a large area inside or ideally assemble outdoors.



1 Lay TRIPOD TOP on the floor as shown.

Curved arm

Straight arm

2 Insert STRAIGHT ARMS and CURVED ARMS into TRIPOD TOP.

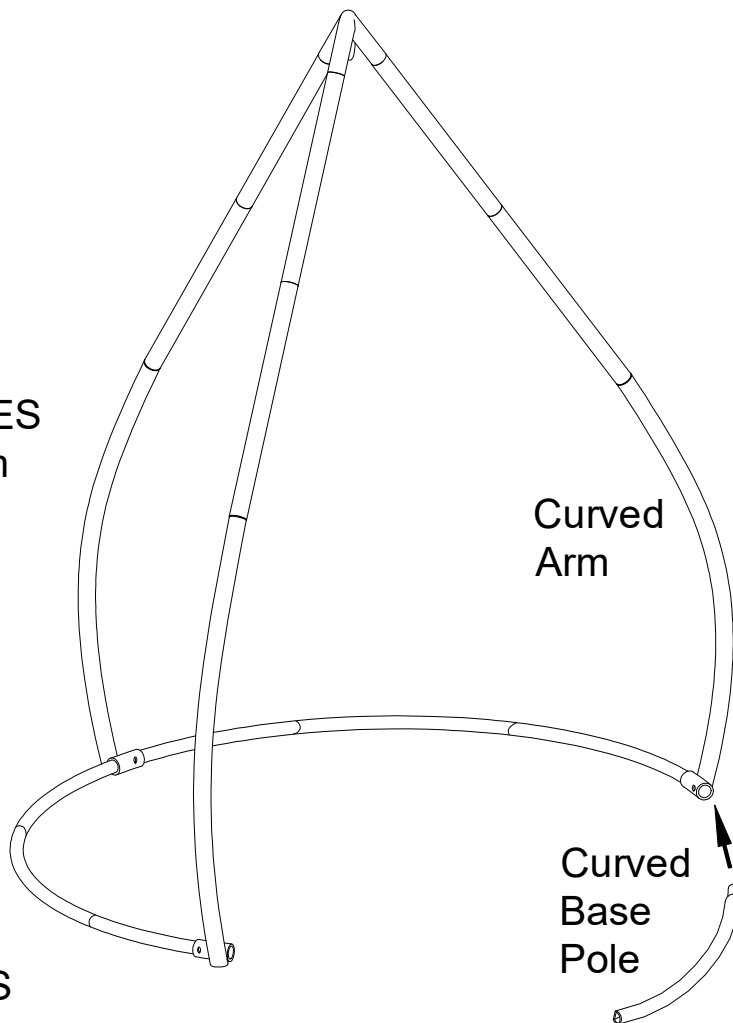
Straight arm

Tripod Top

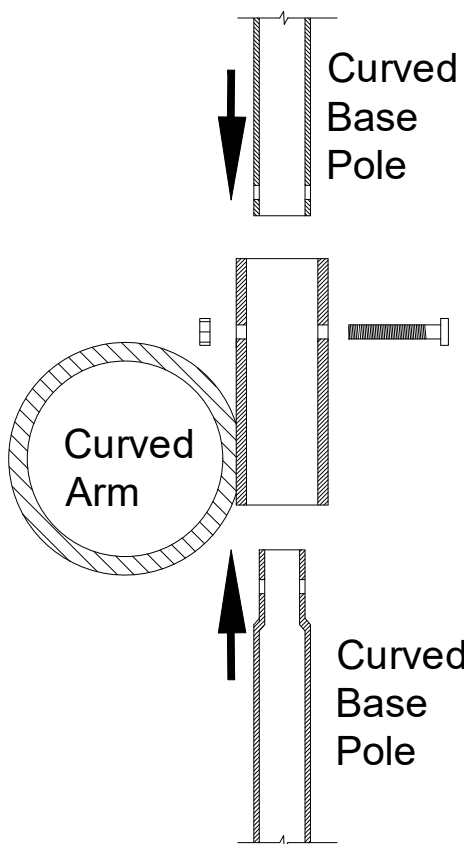
3 Attach STRAIGHT ARMS and CURVED ARMS with LONG BLACK ROUND HEAD BOLTS and LARGE NUTS.

ASSEMBLY (cont.)

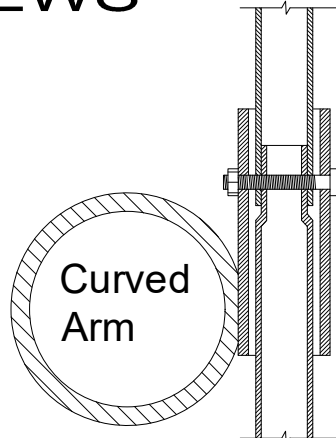
4 Lift frame up. Slide **CURVED BASE POLES** into sleeves on bottom of **CURVED ARMS**.



5 Insert **CURVED BASE POLES** into **CURVED ARM** sleeves.



TOP SECTION VIEWS

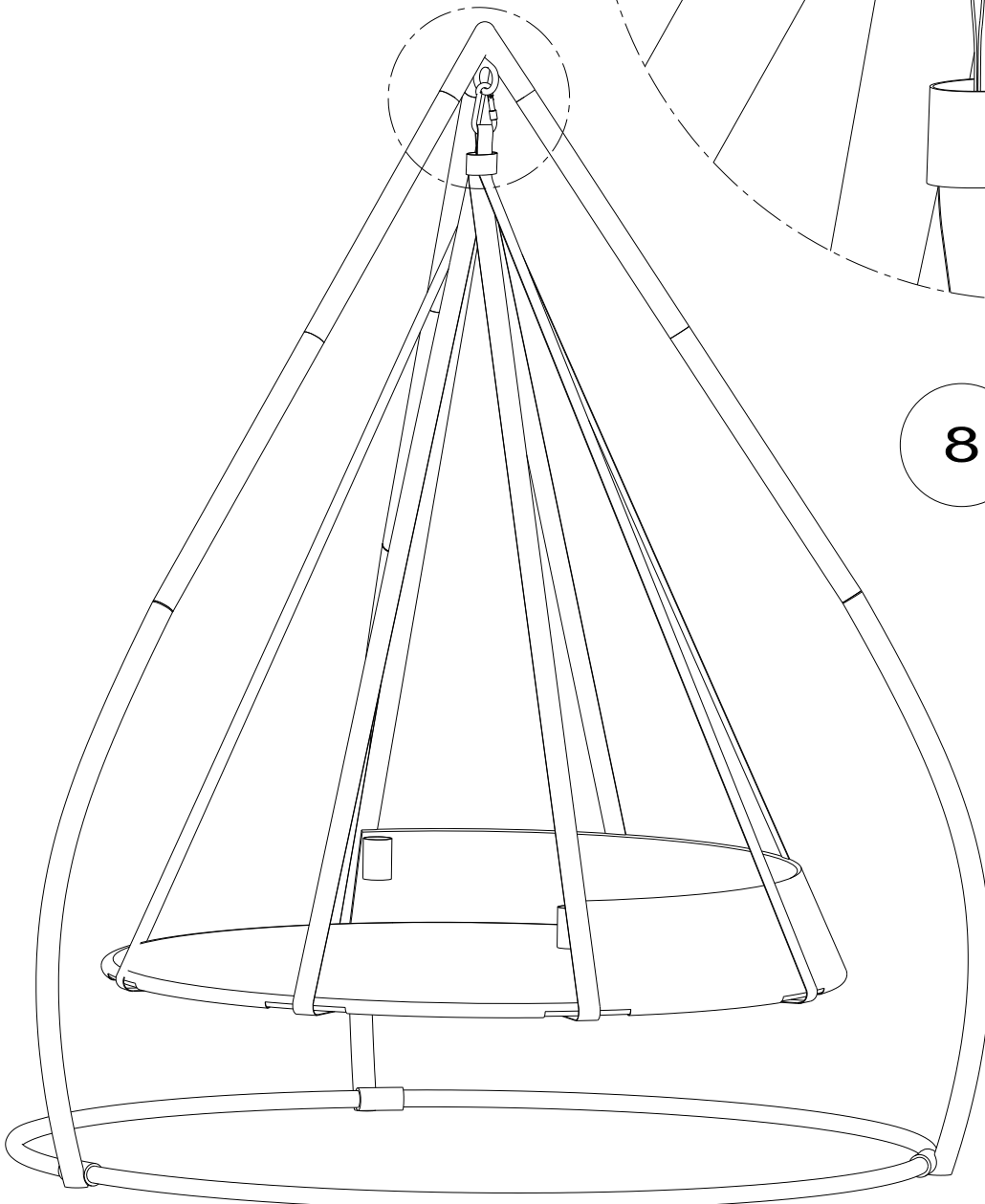
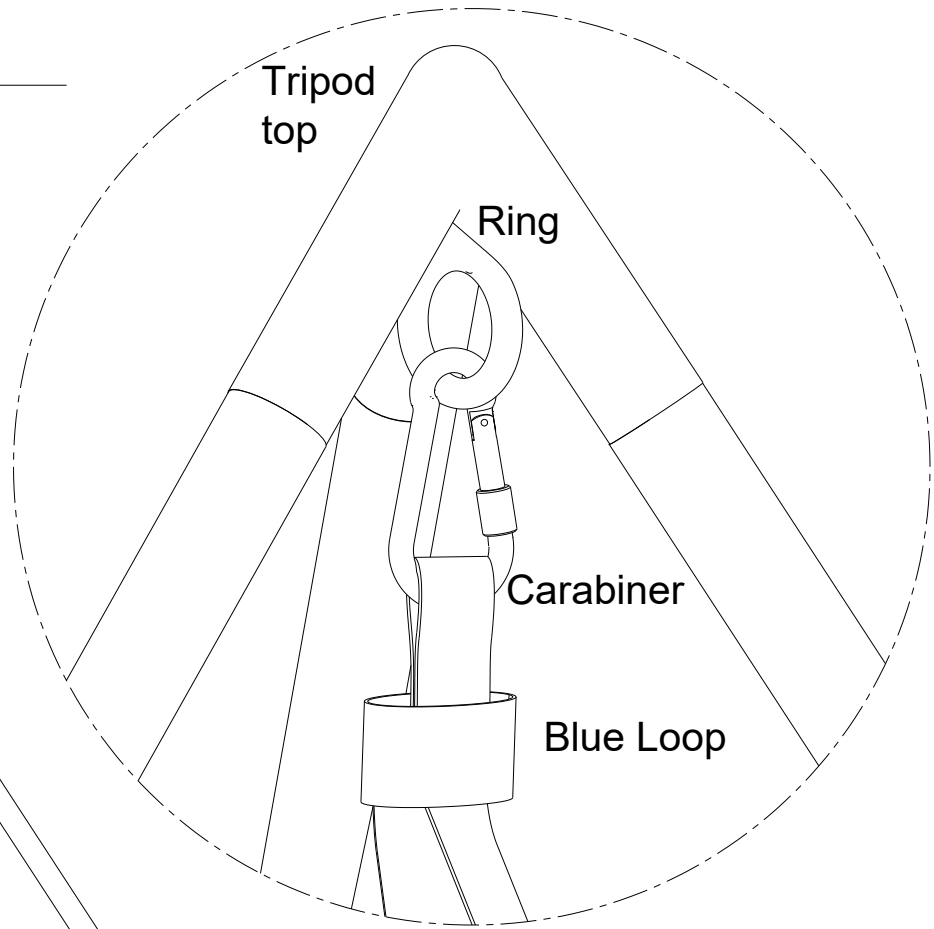


6 Align all **SAUCER POLE** holes with **CURVED ARM** holes and insert Medium Silver Flat Head Bolts and nuts.

ASSEMBLY (cont.)

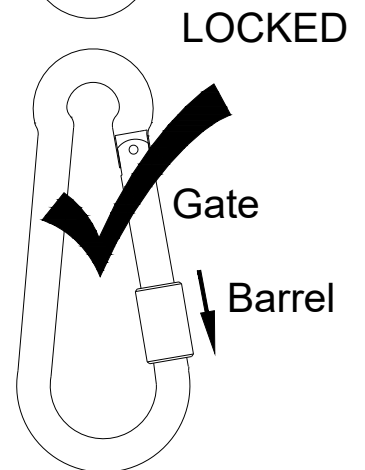
7

Attach CARABINEER to blue SAUCER loop, hoist SAUCER up and attach CARABINEER to TRIPOD TOP ring.



8

Lock CARABINEER gate by twisting barrel.



ROUTINE MAINTENANCE

Check to see that all nuts and bolts are tight - tighten if loose. If any items are cracked, torn or broken remove the product from service.

DISCLAIMER

This Manual relates solely and exclusively to the FlowerHouse Chairs and Hammocks including but not limited to the operation thereof. Failure to adhere to this manual or to properly focus on the recommended operation can result in death, serious injury and property damage. Always operate the FlowerHouse products in a safe manner and in full compliance with this manual. FlowerHouse is not liable for any injuries or damages to any operators, property or bystanders incurred as a result of using the FlowerHouse products by its customers. FlowerHouse also cannot be held liable for any and all errors in this manual or for any incidental or consequential damages that result for the use of the material presented in this manual. This manual contains proprietary information belonging solely and exclusively to FlowerHouse. All rights are reserved. No part of this manual may be photocopied, reproduced or translated to another language without the written consent of FlowerHouse. If this disclaimer is unacceptable, please return the unused product within 10 days of purchase (along with proof of purchase) for a full refund to the address below.

WARRANTY CARD

Mail return within 14 days of purchase with copy of dated register receipt to activate warranty. Please make a copy of this card for your records and mail to:

FLOWERHOUSE
P.O. BOX 595
CLIO, MI 48420-0595

PRODUCT MODEL NO. _____

NAME: _____

DATE OF PURCHASE: _____

ADDRESS: _____

EMAIL: _____

SIGNATURE: _____ DATE: _____

(my signature acknowledges that I have read, fully understand, and accept this limited warranty agreement)