

Assembly Instructions

AC-FCS96_V1.0



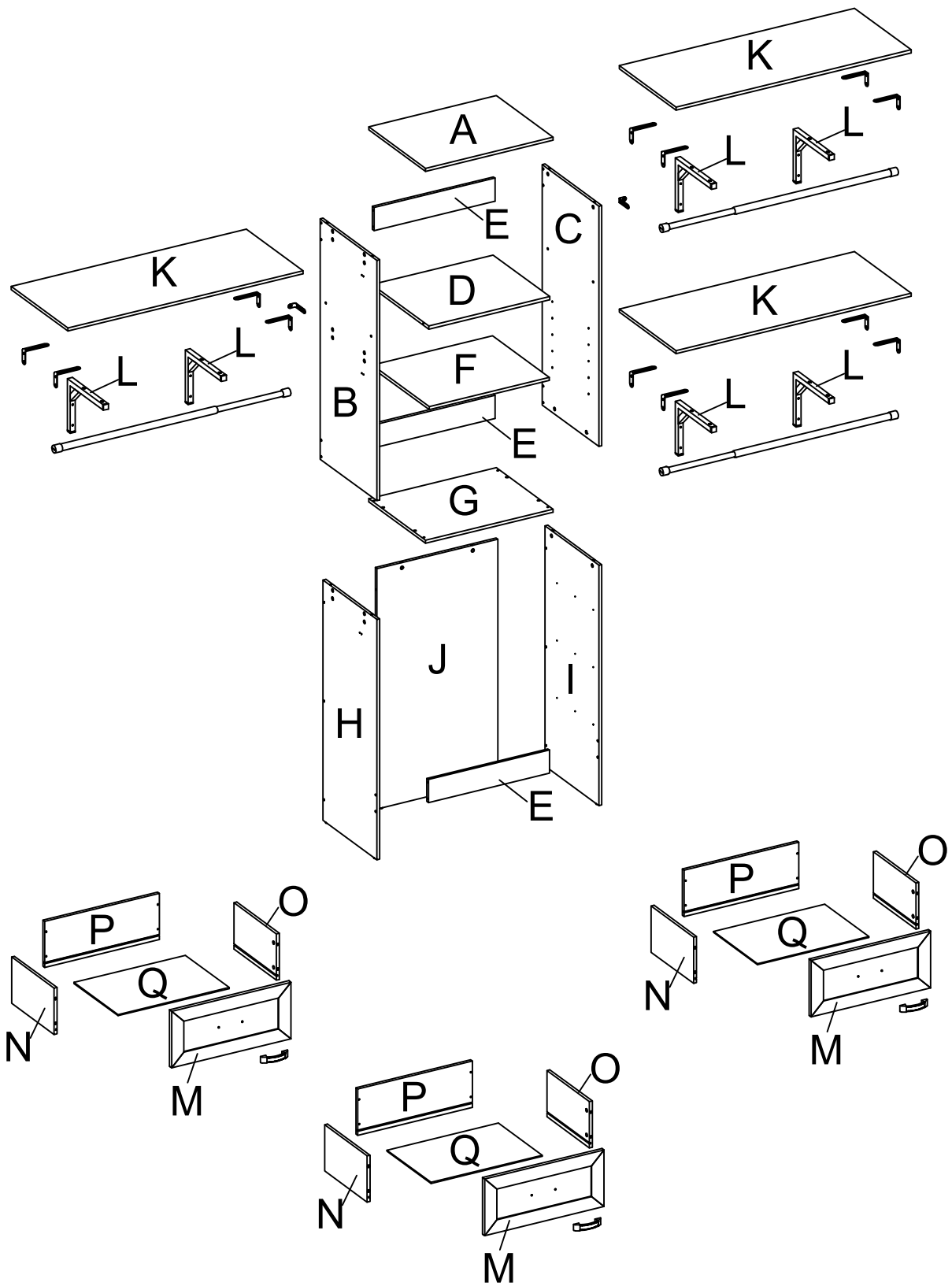
Attention: Please ensure you have all parts before commencing assembly.
Please read all the instructions before commencing.

Have problems when installing or missing parts?

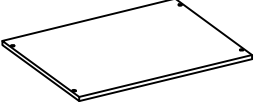
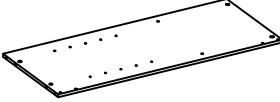
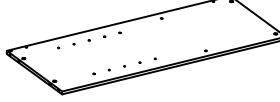
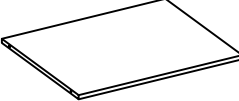

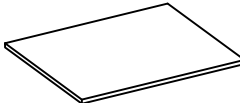
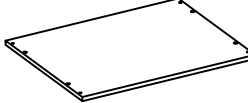
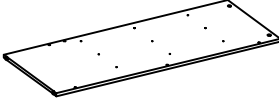
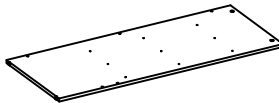

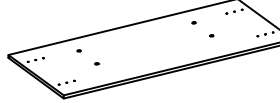
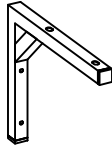
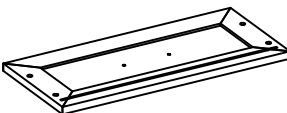
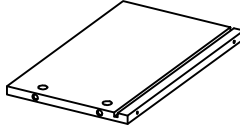
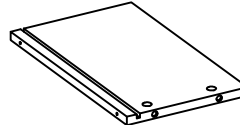


How to find us?

 **betterasp@hotmail.com**

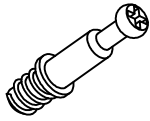

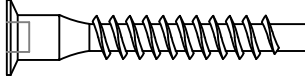

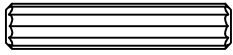

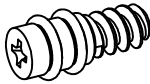

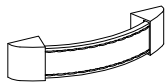
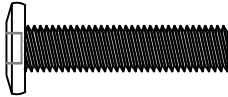
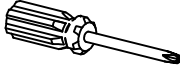
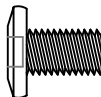

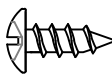

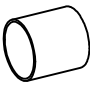

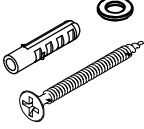
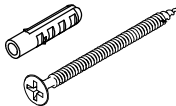
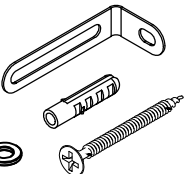
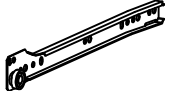
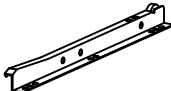
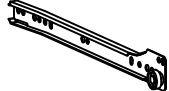
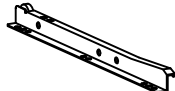
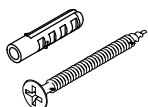


PART LIST



PART LIST

<p>A x 1pc</p> 	<p>B x 1pc</p> 	<p>C x 1pc</p> 	<p>D x 1pc</p> 
<p>E x 3pcs</p> 	<p>F x 1pc</p> 	<p>G x 1pc</p> 	<p>H x 1pc</p> 
<p>I x 1pc</p> 	<p>J x 1pc</p> 	<p>K x 3pcs</p> 	<p>L x 6pcs</p> 
<p>M x 3pcs</p> 	<p>N x 3pcs</p> 	<p>O x 3pcs</p> 	<p>P x 3pcs</p> 
<p>Q x 3pcs</p> 			

HARDWARE LIST

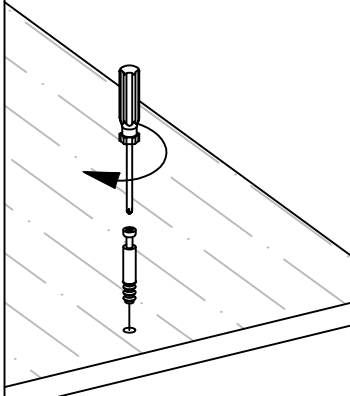
①  M6x28 26 pcs	②  Ø12 26 pcs	③  M6x40 22 pcs	④  M4x30 12 pcs
⑤  M6x30 4 pcs	⑥  M3x12 36 pcs	⑦  Ø7x19 4 pcs	⑧  M4x8 6 pcs
⑨  100x55 3 pcs	⑩  M6x27 12 pcs	⑪  1 pc	⑫  M6x10 12 pcs
⑬  100x55 12 pcs	⑭  M4x12 24 pcs	⑮  3 pcs	⑯  3 pcs
⑰  3 pcs	⑱  M4x40 12 pcs	⑲  M4x60 12 pcs	⑳  M4x40 2 pcs
㉑  3 pcs	㉒  3 pcs	㉓  3 pcs	㉔  3 pcs
㉕  M4x40 6 pcs	㉖  M4x12 6 pcs	㉗  M4 1 pc	

Please count and verify all parts before assembly .

How to install Camlocks

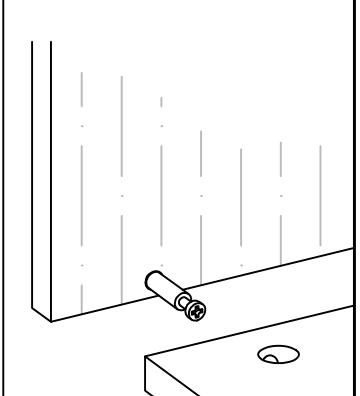
Connect the male camlock as directed in the assembly instructions with a screwdriver.

1 DO NOT OVER TIGHTEN



Put the male camlock into the entry hole.

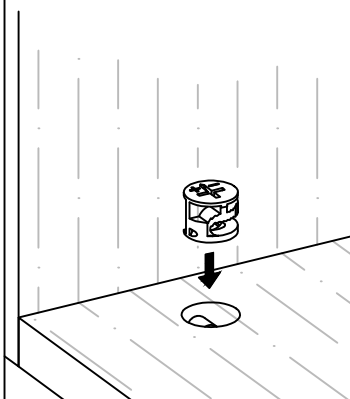
2



Insert the female camlock as shown in the instruction.

Note: ensure that the arrow on the top of the camlock points toward the entry hole for the male camlock.

3

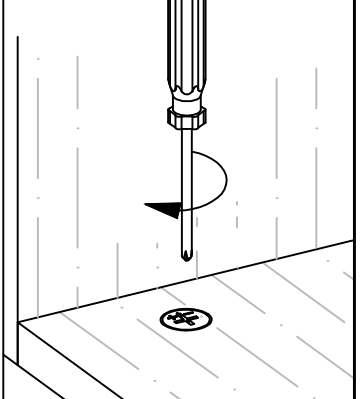


Screw the female camlock clockwise with a screwdriver.

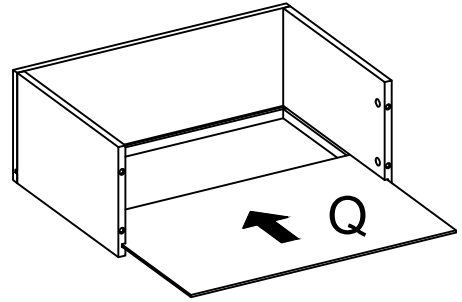
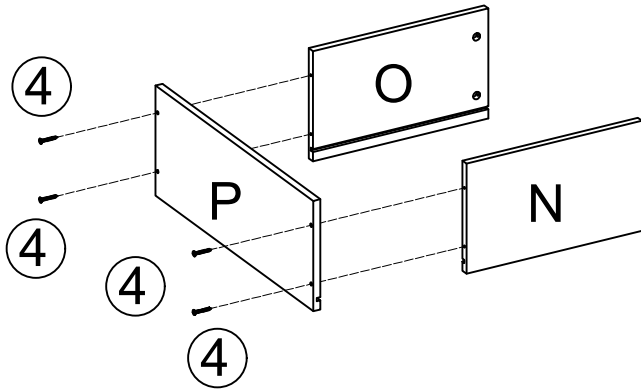
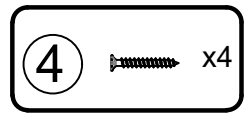
You will feel a click when the camlock is locked in place.

The camlock is now completed.

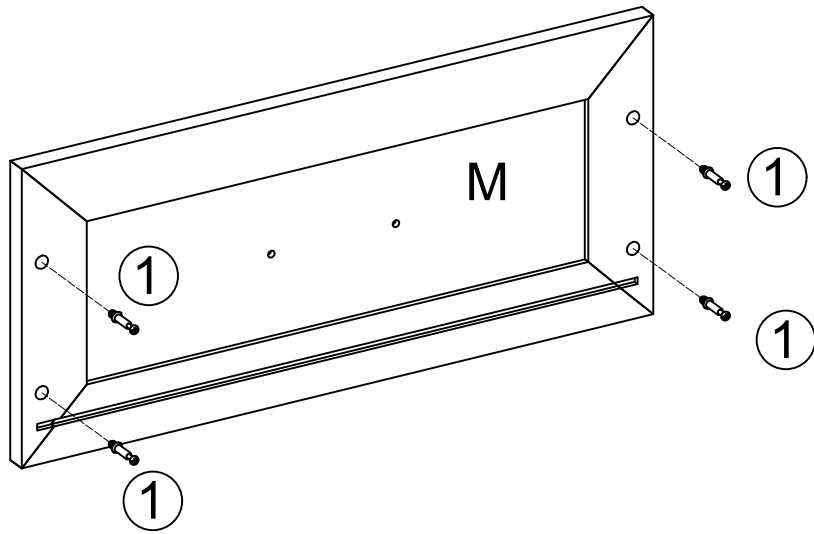
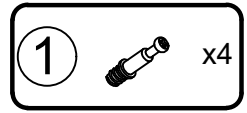
4




STEP 1

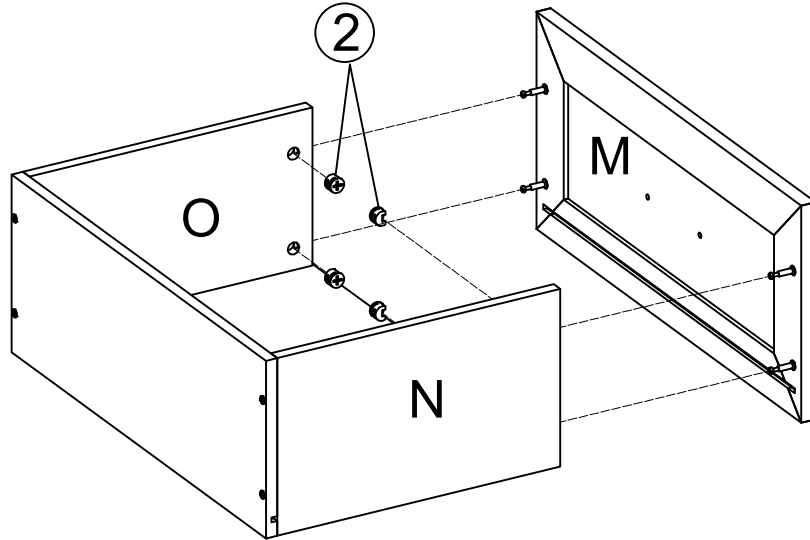


STEP 2






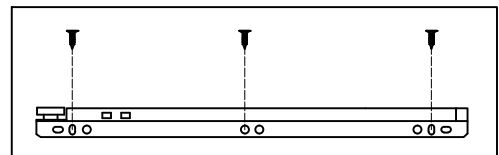
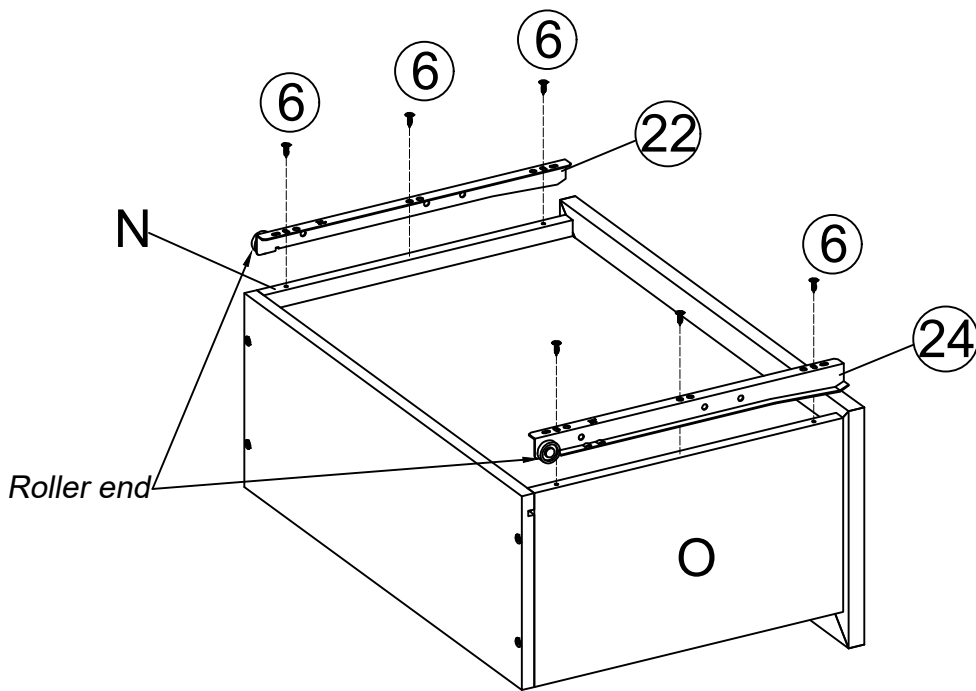
STEP 3

②  x4

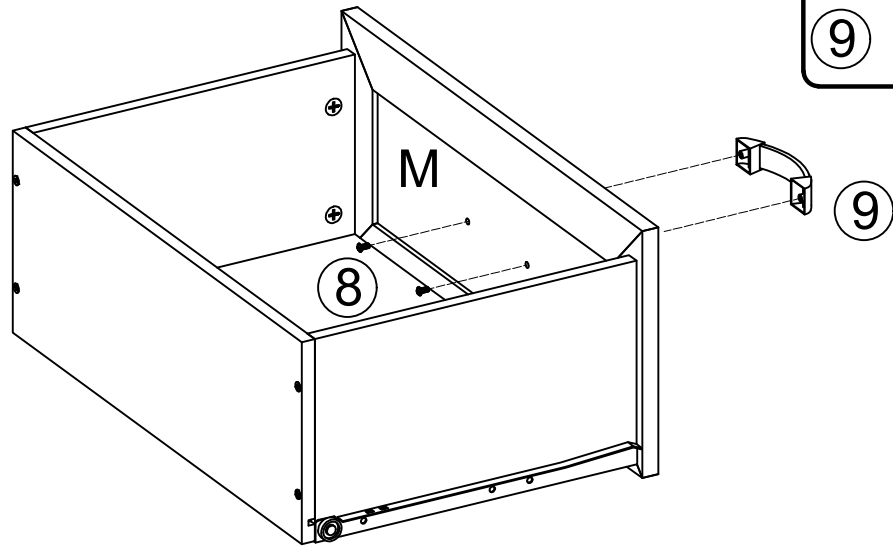


STEP 4

⑥  x6
②②  x1
②④  x1



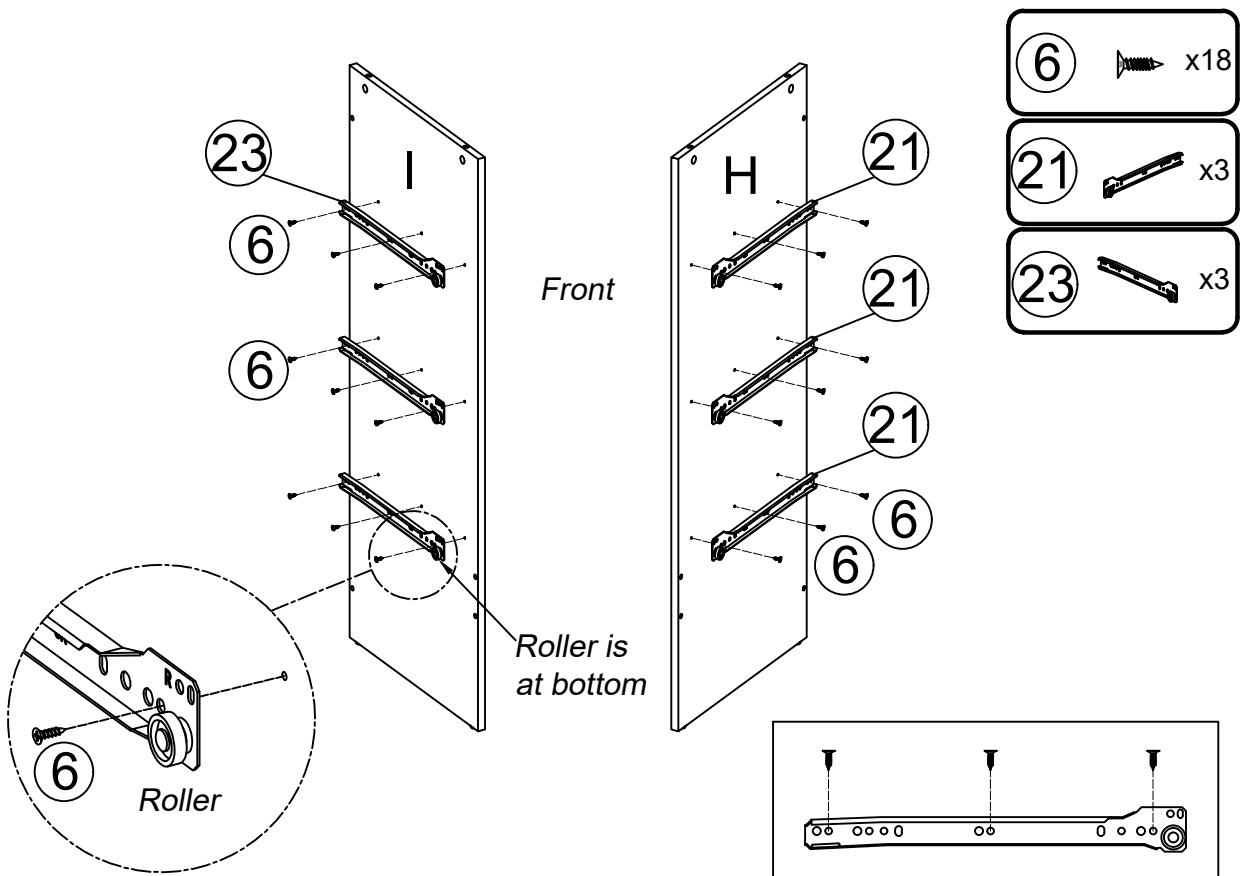
STEP 5



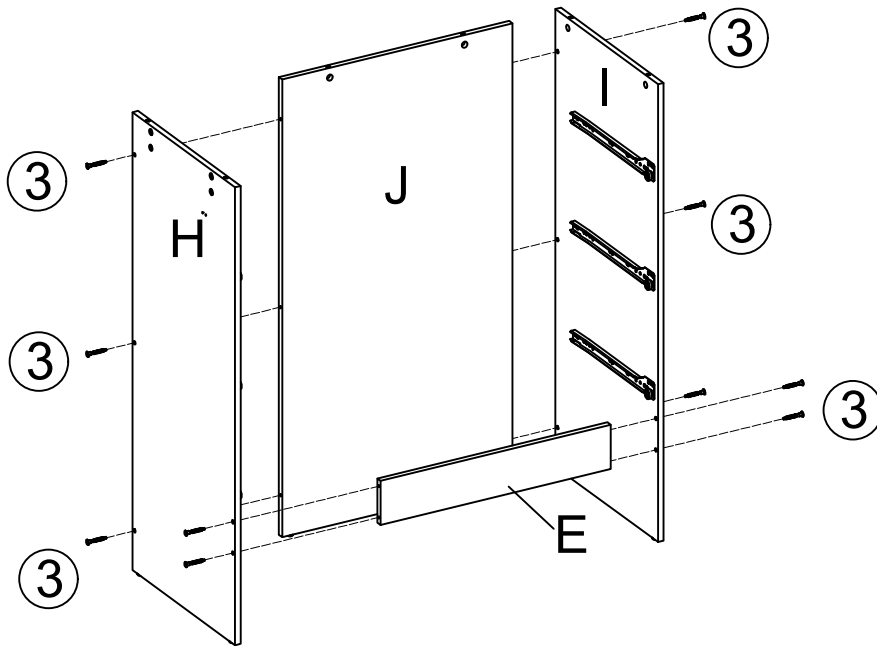
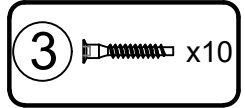
NOTICE:

The installation for all the three drawers is base on the five steps above.

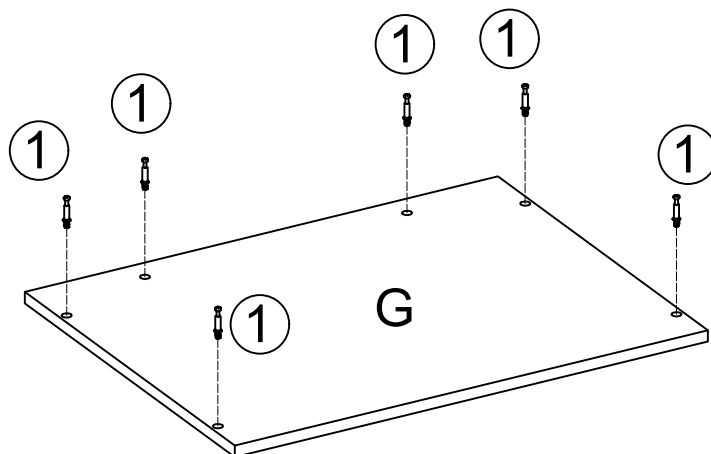
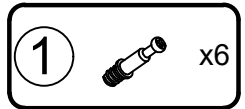
STEP 6




STEP 7

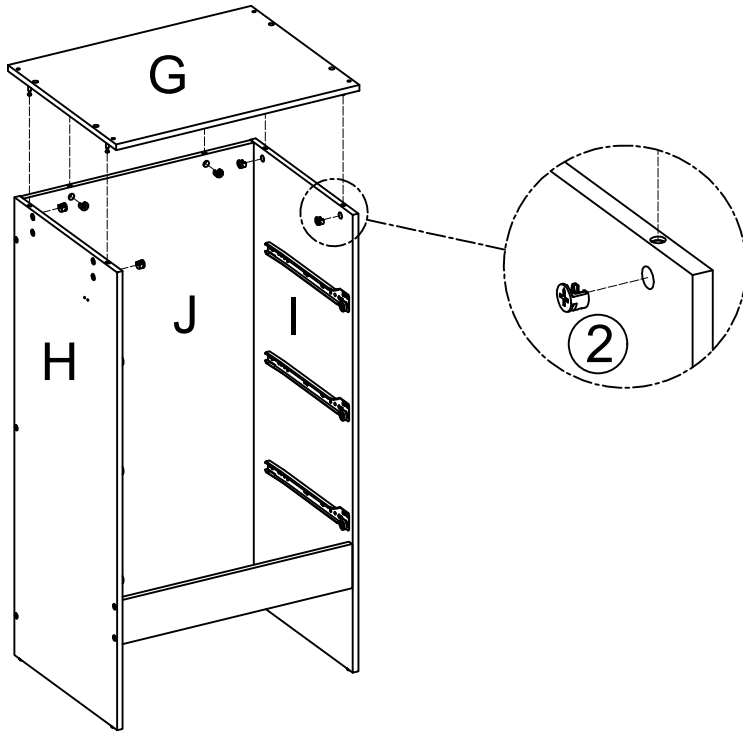


STEP 8




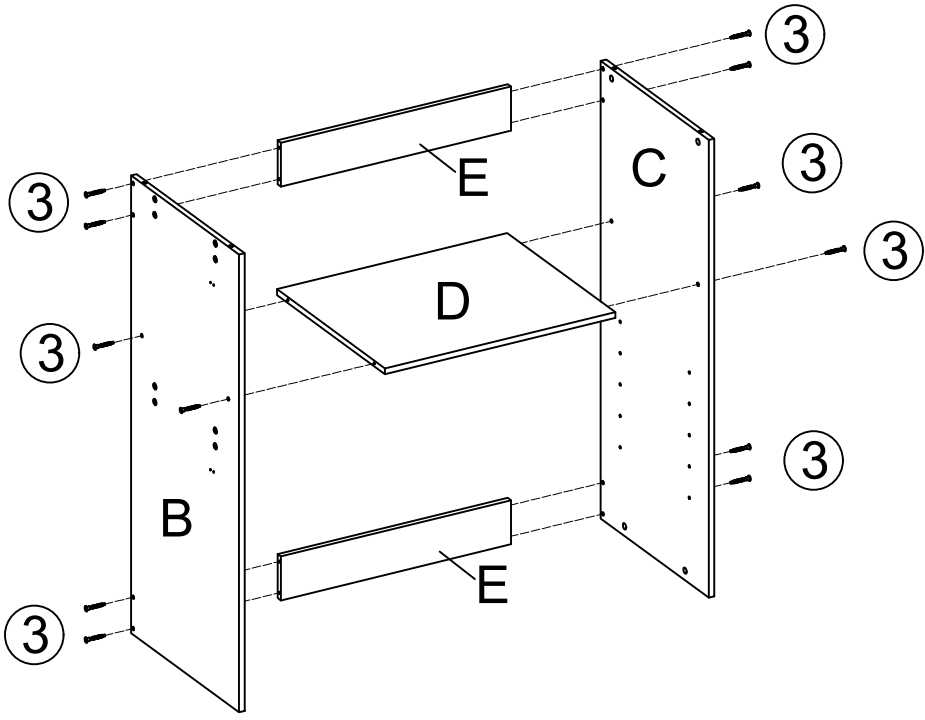
STEP 9

②  x6

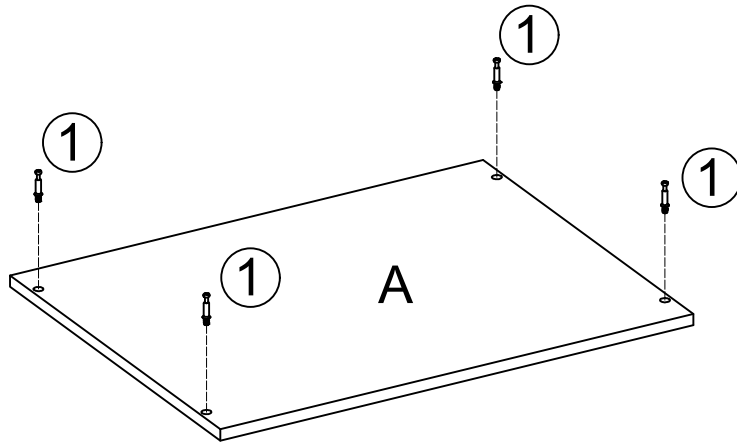
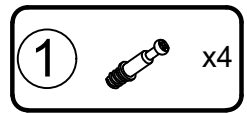


STEP 10

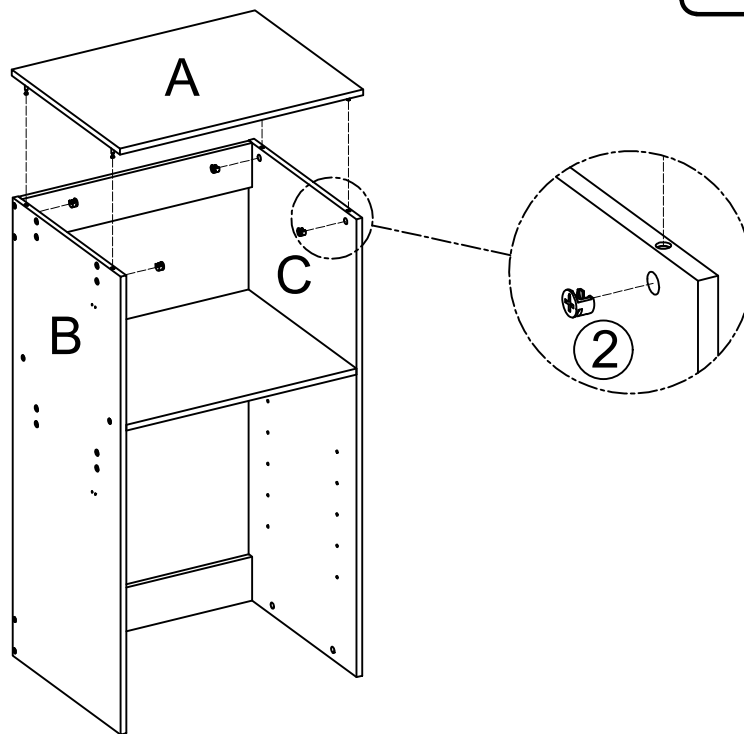
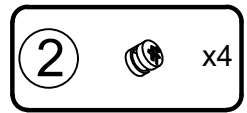
③  x12



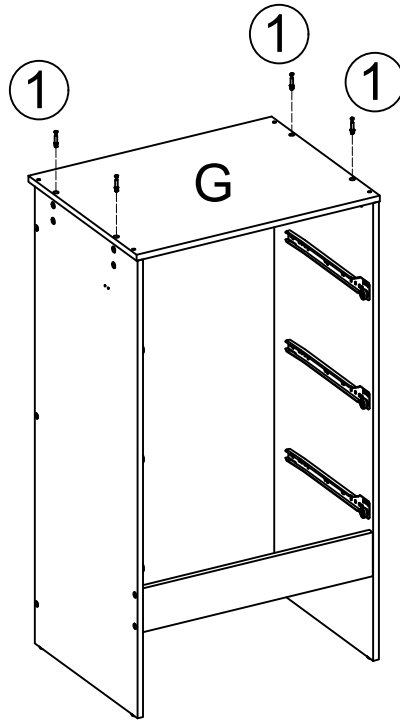
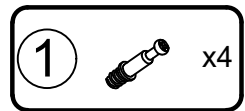
STEP 11



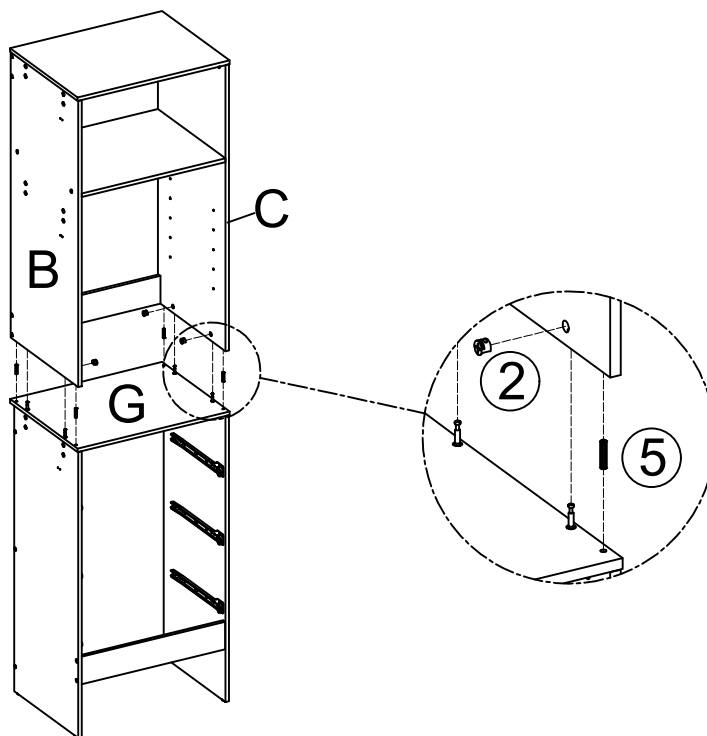
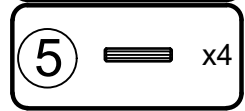
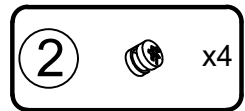
STEP 12



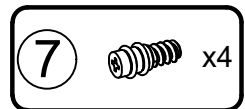
STEP 13



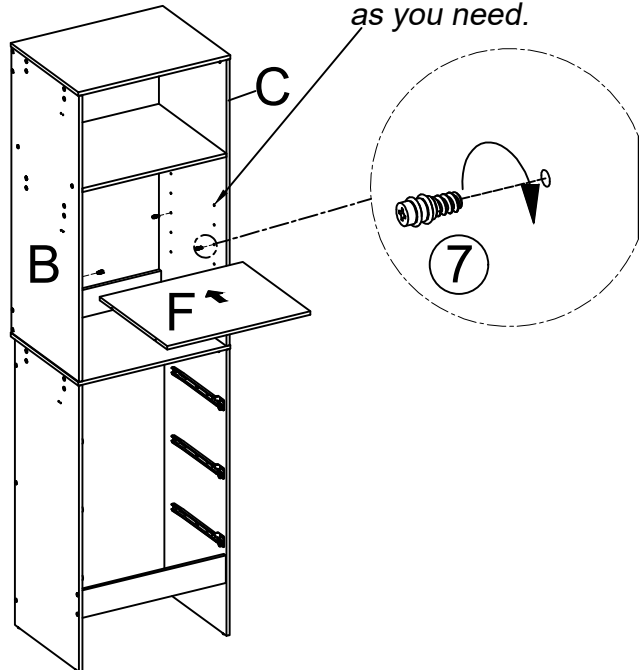
STEP 14



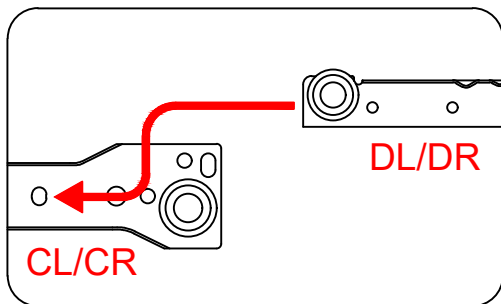
STEP 15



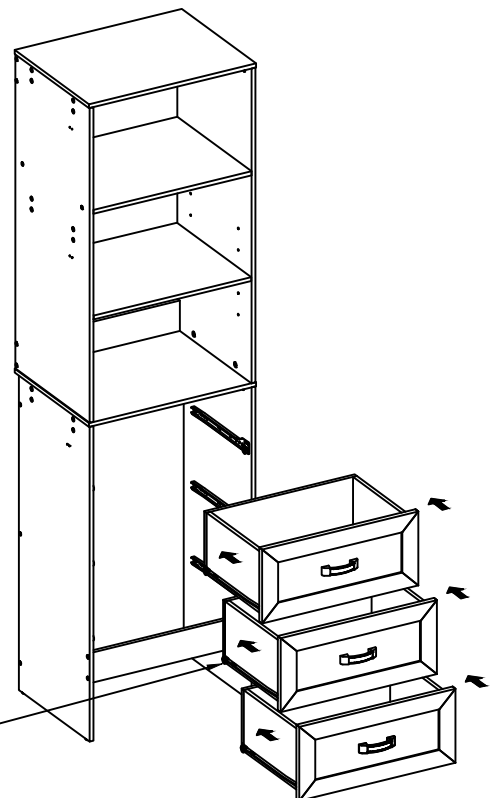
There are 5 heights for the shelf to be adjusted as you need.



STEP 16

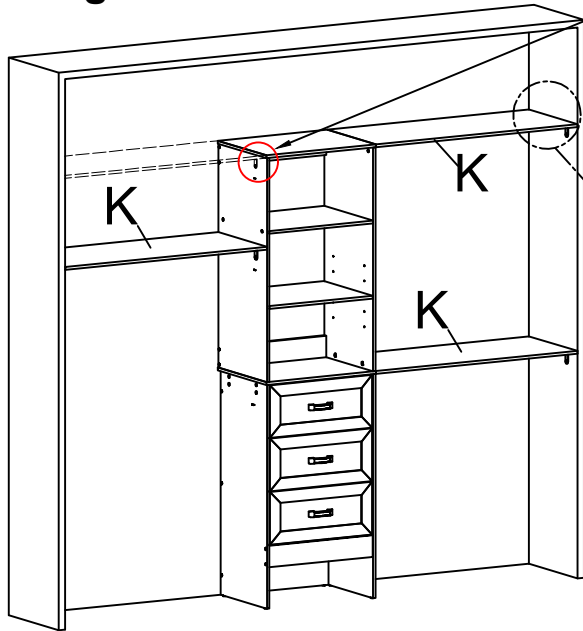


Please put the wheels align with the slots as the instruction shows, then slide into them

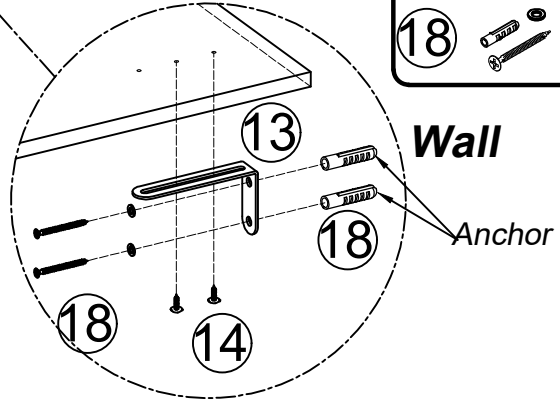
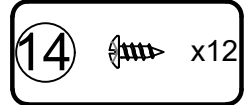
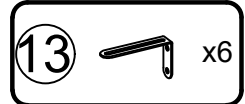


STEP 17

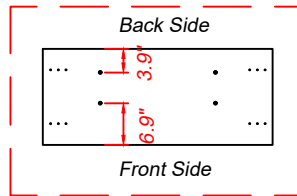
Long Shelf Installation



There are 3 heights for the Left shelf and pole to be adjusted as you need.



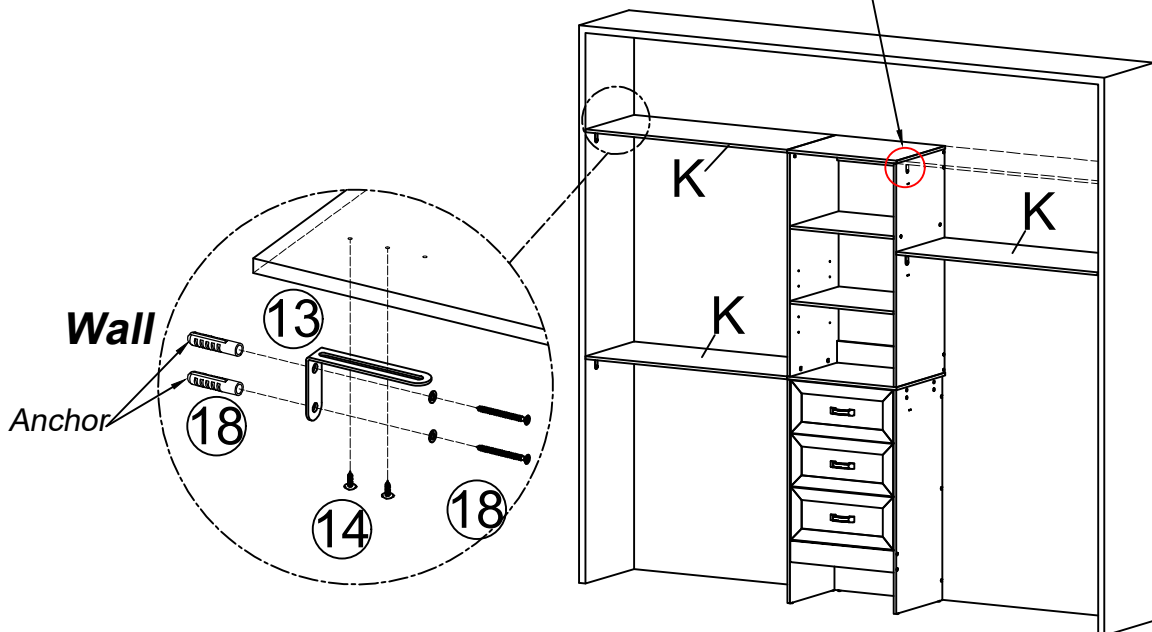
Keep the holes of the Part K toward this direction as shown



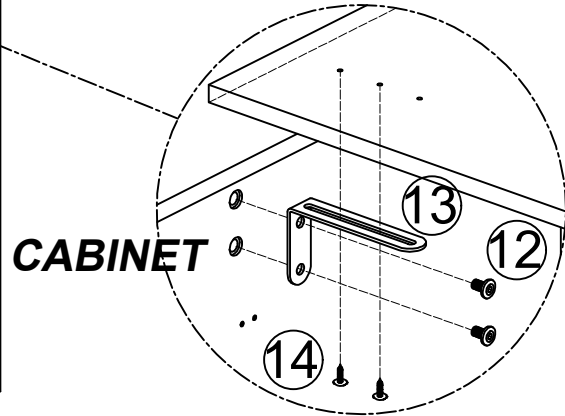
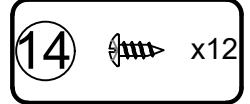
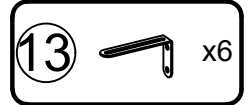
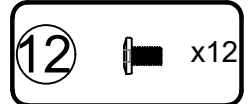
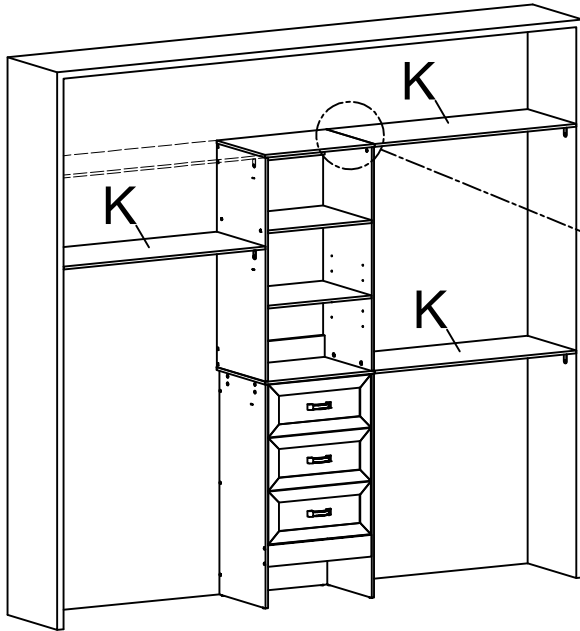
Note: If long shelf (K) needs cut to fit inside your closet space, cut only one side of the shelf and do not use a hacksaw. It is recommended you hire an insured remodeler for this type of installation.

OR

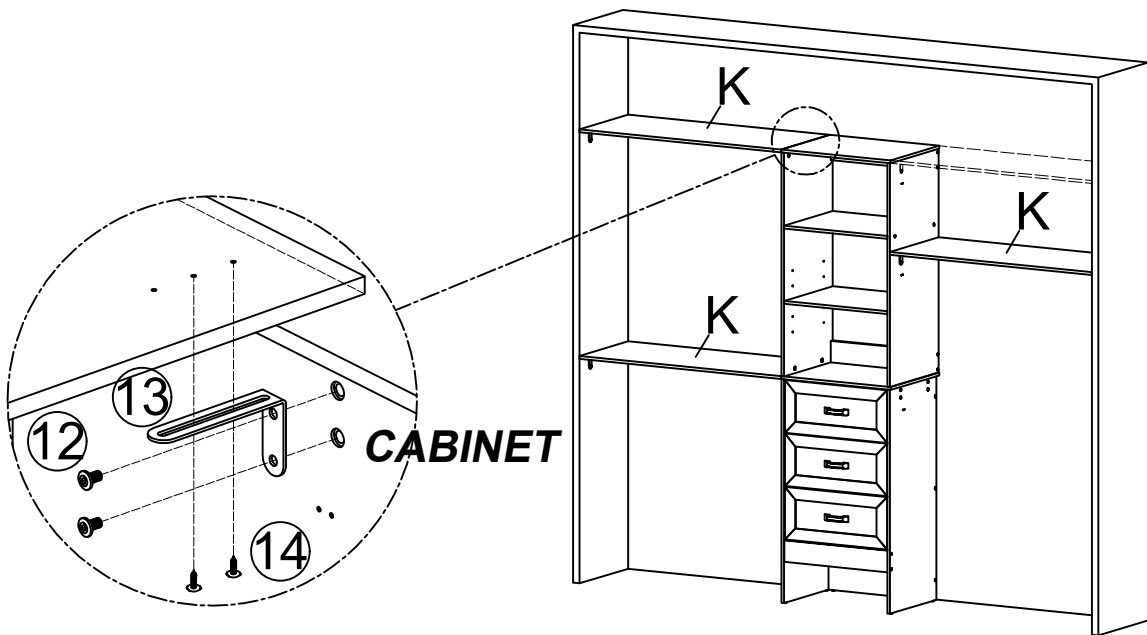
There are 3 heights for the Right shelf and pole to be adjusted as you need.



STEP 18

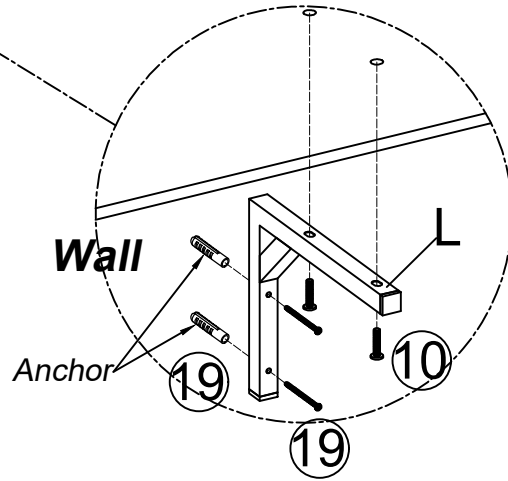
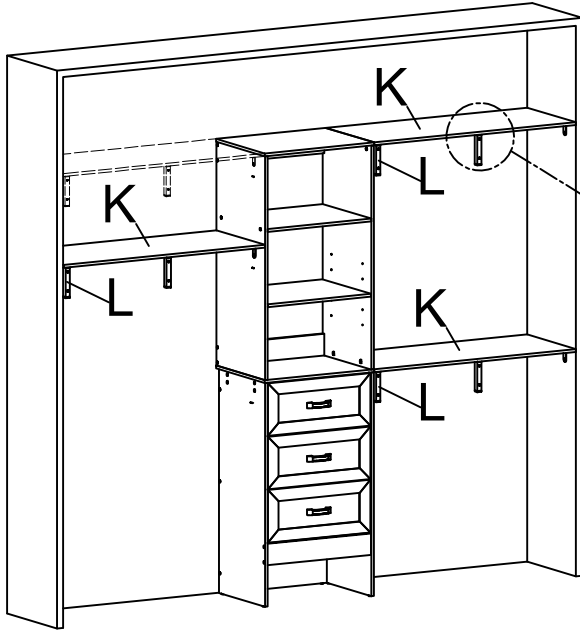
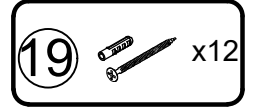


OR

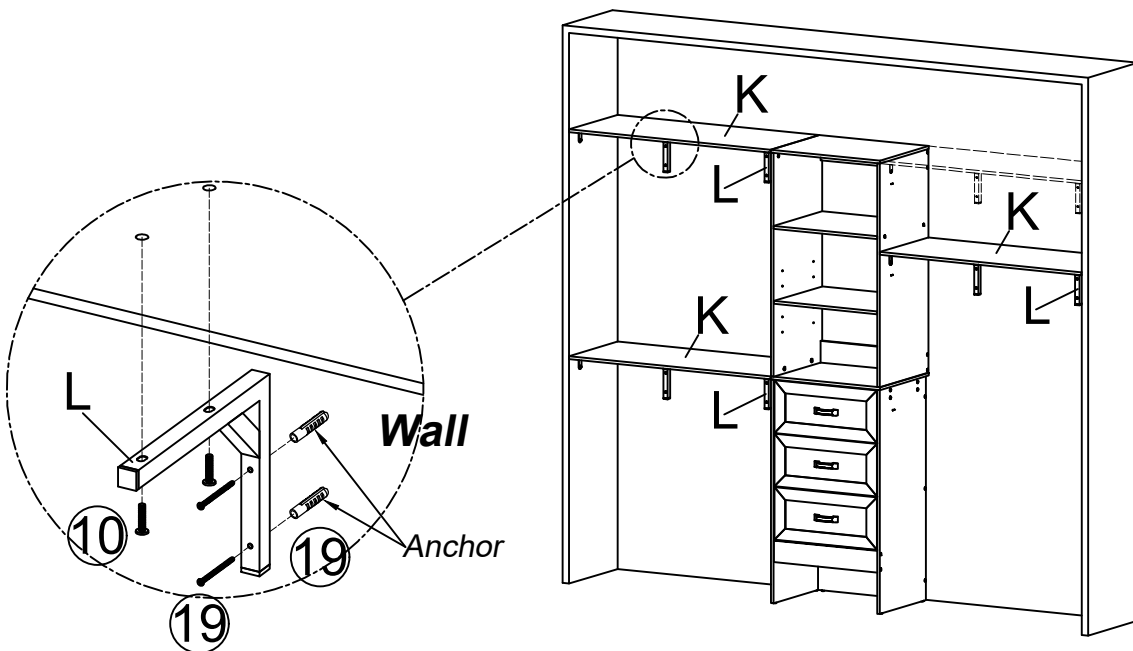


STEP 19

Shelf Support Installation

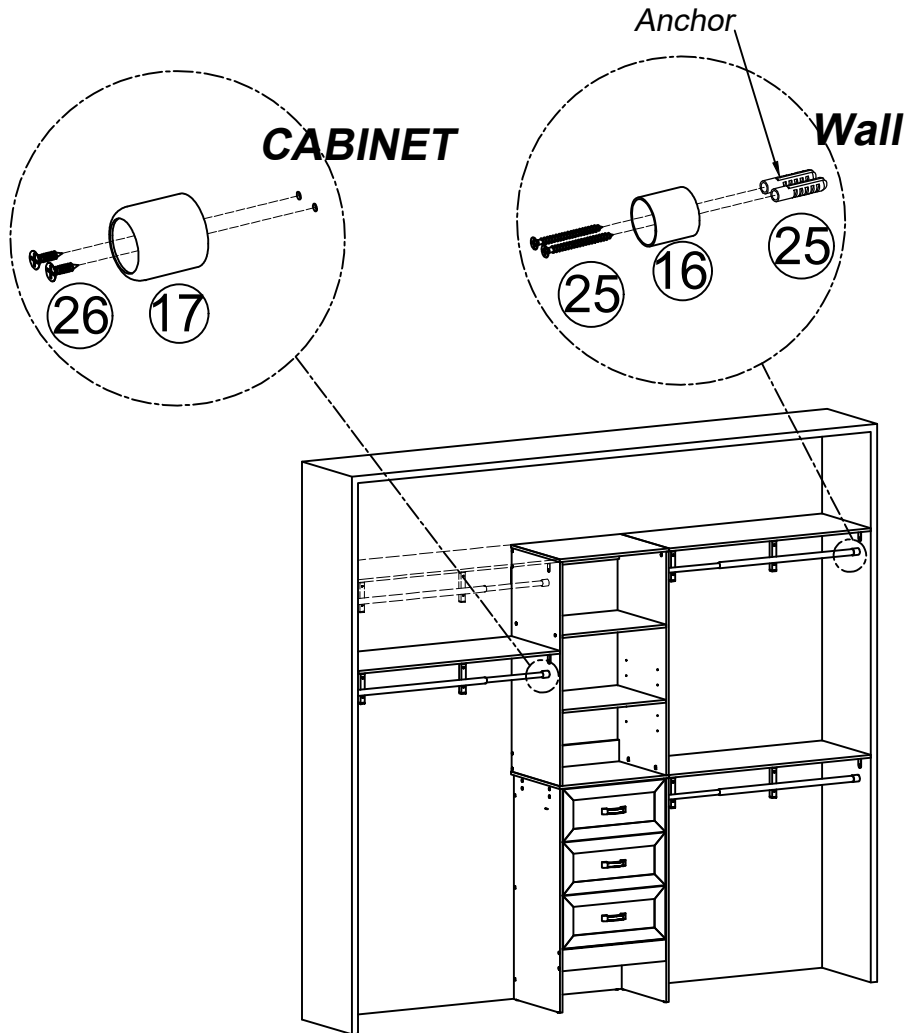


OR



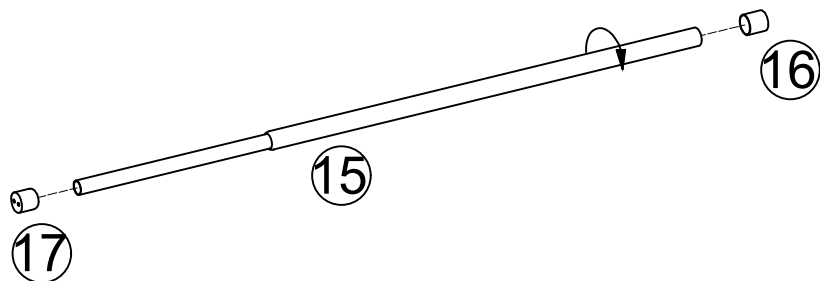
STEP 20

Pole Installation



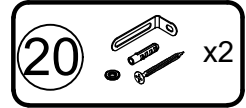
- 15 x3
- 16 x3
- 17 x3
- 25 x6
- 26 x6

Note: Twist the expandable pole clockwise to tighten. anticlockwise to loosen.



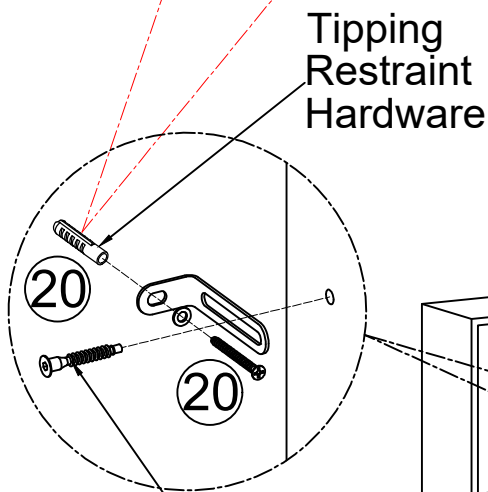
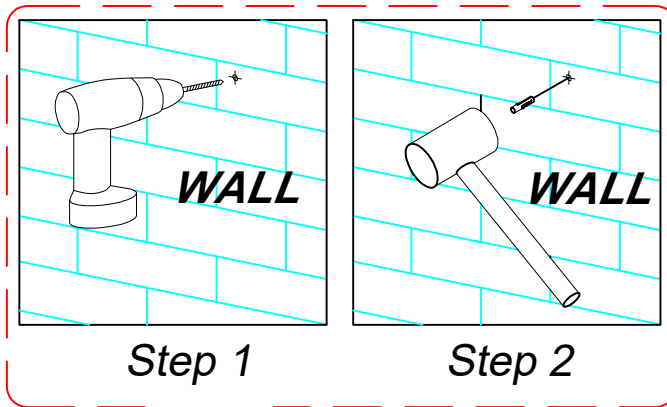
STEP 21

TIPPING RESTRAINT HARDWARE



Note: We have included two Tipping Restraint Hardware set for this Unit. When properly installed, this restraint can provide protection against the unexpected tipping of the Unit due to small tremors, bumps or climbing. We strongly recommend mounting this hardware to a wall stud and your Unit.

Note: You must install the Tipping Restraint Hardware with the unit in use to prevent any accidents or damage to the unit.



Please unscrew one Part (3) screw first, then install Part (20).

