



Español

ADVERTENCIA!

El vuelco del mueble puede provocar lesiones graves o mortales por aplastamiento. Para evitar que este mueble vuelque, recomendamos encarecidamente su uso con los dispositivos de fijación a la pared suministrados.

Deutsch

WARNUNG!

Schwere oder tödliche Quetschverletzungen können durch das Umkippen von Möbeln entstehen. Um das Umkippen dieser Möbel zu verhindern, empfehlen wir dringend die Verwendung der mitgelieferten Wandbefestigungsvorrichtung(en).

Nederlands

WAARSCHUWING!

Serieuze of fatale verpletteringsletsels kunnen optreden door het omvallen van meubels. Om dit te voorkomen, raden we ten zeerste aan om de muurbevestigingsmiddelen te gebruiken die bij dit meubilair worden geleverd.

English

WARNING!

Serious or fatal crushing injuries can occur from furniture tip over. To prevent tip over this furniture we highly recommend to use with the wall attachment device(s) provided.

Français

AVERTISSEMENT!

Risque de blessure grave ou mortelle par écrasement en cas de chute du meuble. Pour éviter tout risque de basculement, ce meuble doit être fixé au mur à l'aide des fixations incluses.

Ελληνική

ΠΡΟΕΙΔΟΠΟΙΗΣΗ!

Σοβαροί ή θανατηφόροι τραυματισμοί από την ανατροπή του επίπλου είναι πιθανοί. Για να αποτραπεί αυτή η ανατροπή, συνιστούμε ανεπιφύλακτα να χρησιμοποιήσετε τη συσκευή ή τις συσκευές στερέωσης στον τοίχο που παρέχονται με το έπιπλο.

Dear Valued Customer,

Before embarking on the assembly journey of our meticulously designed furniture piece, we extend a friendly caution to those who might find themselves navigating the assembly instructions like uncharted waters. Consider this your assembly roadmap, but remember, not all who venture forth heed the warnings.

Mind the Details: In the intricate dance of screws, bolts, and mysterious components, attention to detail is your compass. Failure to acknowledge the subtleties may lead to a misstep in the assembly waltz.

Avoid Solo Sailing: While solo adventures are admirable, assembling our furniture is a team sport. Rally your crew, or at least one reliable sidekick, to ensure a smoother voyage. Two sets of eyes are better than one, especially when deciphering assembly hieroglyphics.

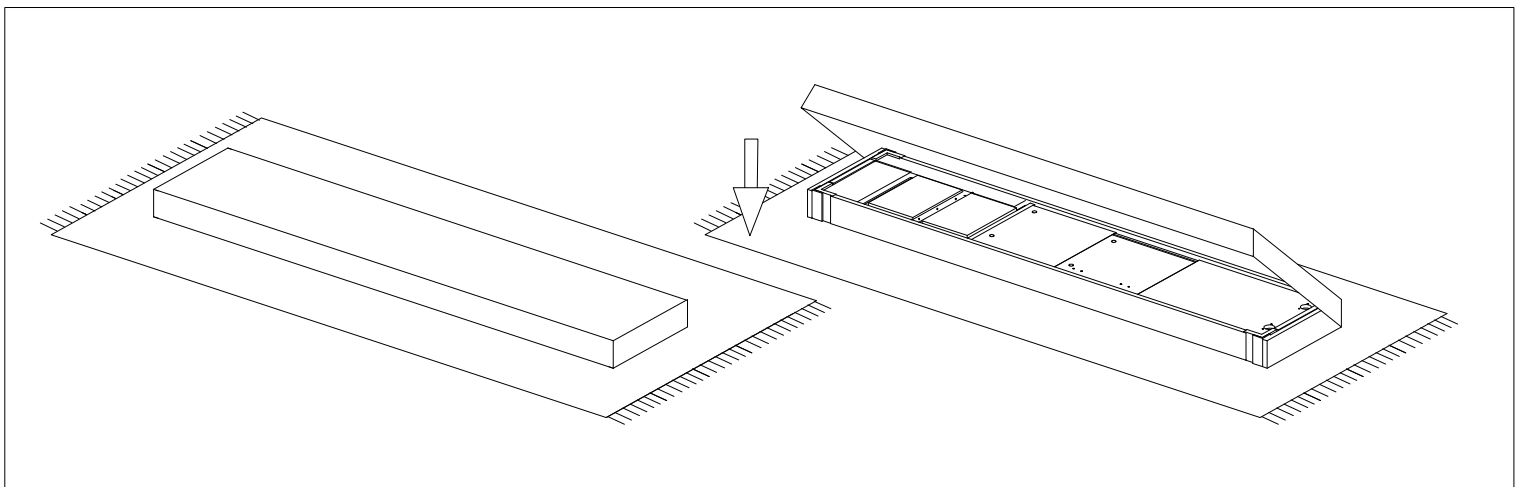
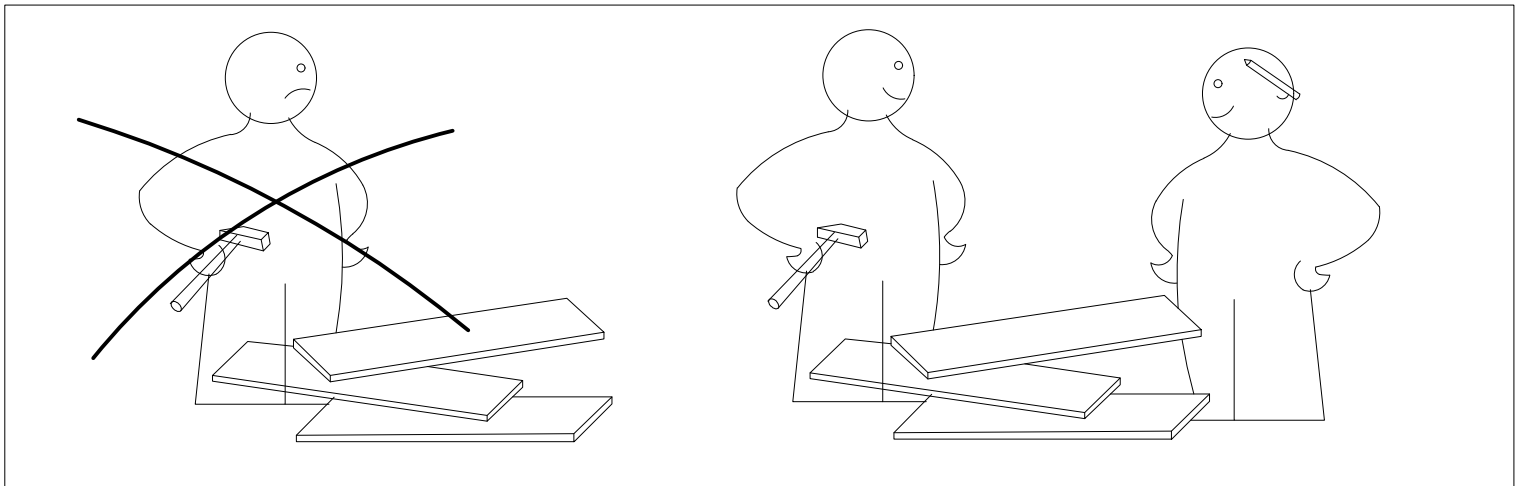
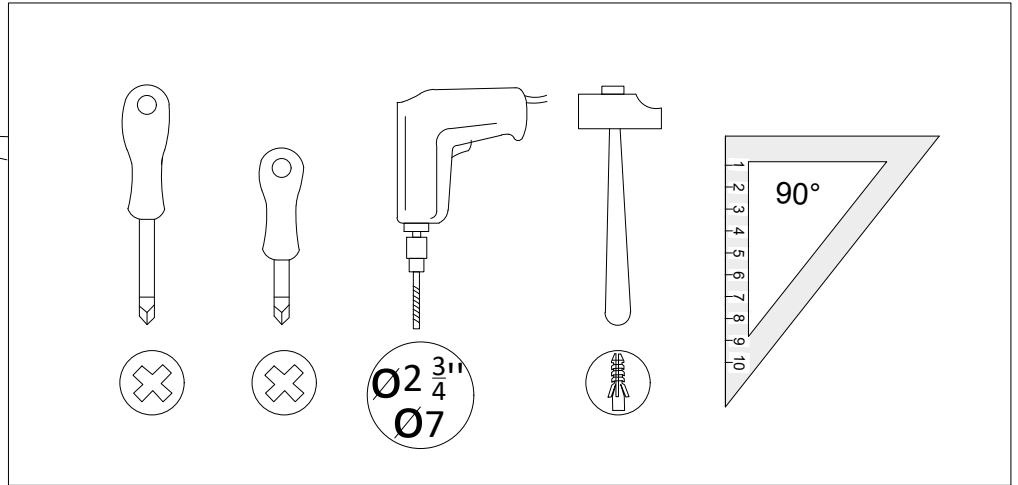
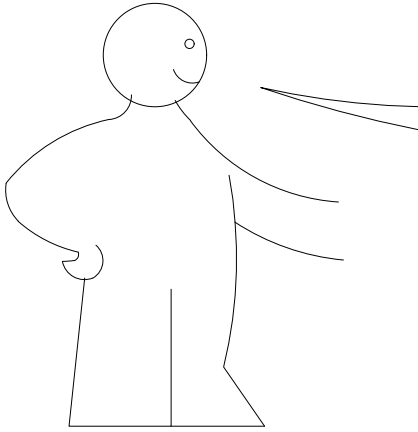
Tools are Your Allies: The toolkit provided isn't just for show. Each tool is a trusty sidekick in your quest for furniture glory. Disregarding their importance may result in frustration and a potential detour to the hardware store.

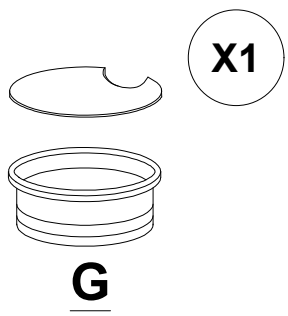
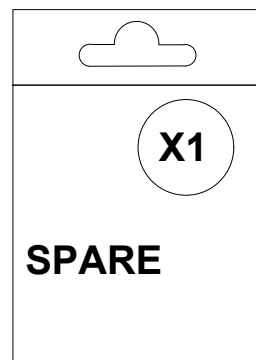
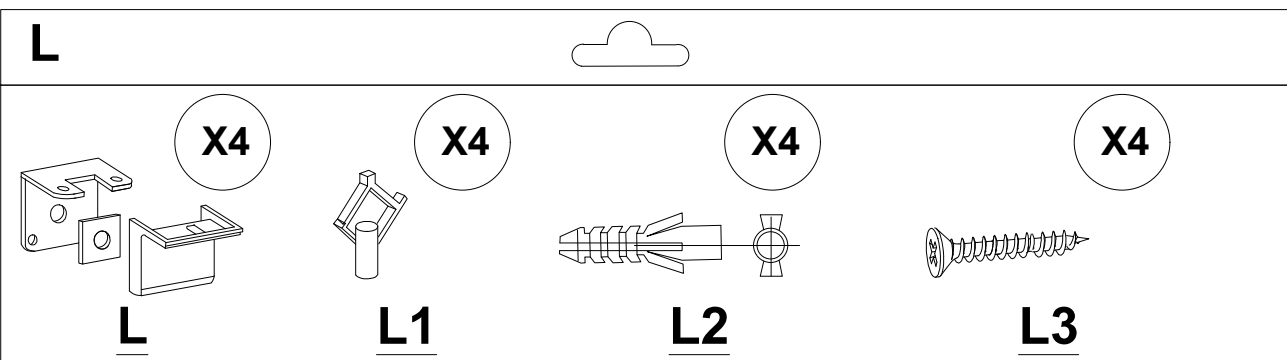
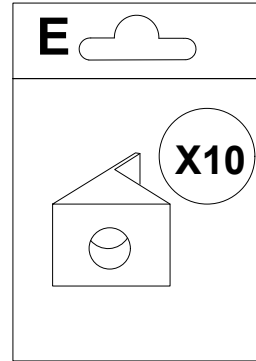
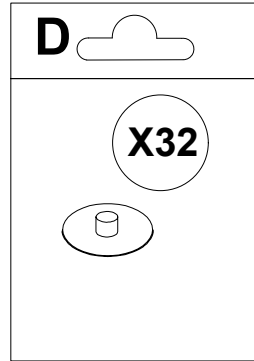
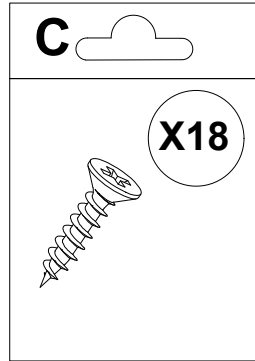
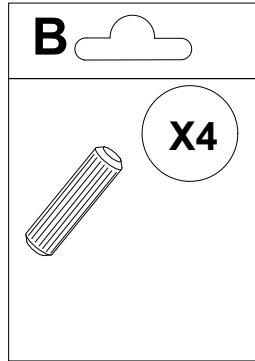
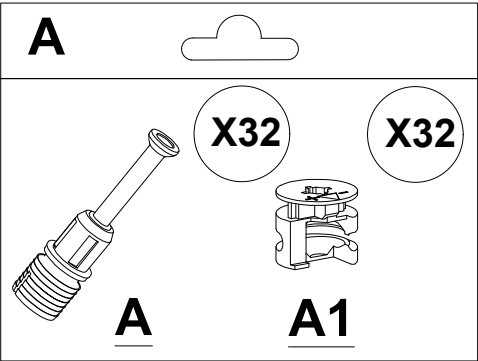
The Manual is Your Map: The assembly manual is not just a paperweight. It's your treasure map to furniture utopia. Ignoring its guidance may result in the dreaded disassembly-reassembly loop, a journey no one wants to embark upon.

Remember, brave assembler, you hold the power to turn a pile of parts into a functional masterpiece. With great power comes great responsibility. May your assembly journey be smooth, your Allen wrench swift, and your furniture stand tall and proud.

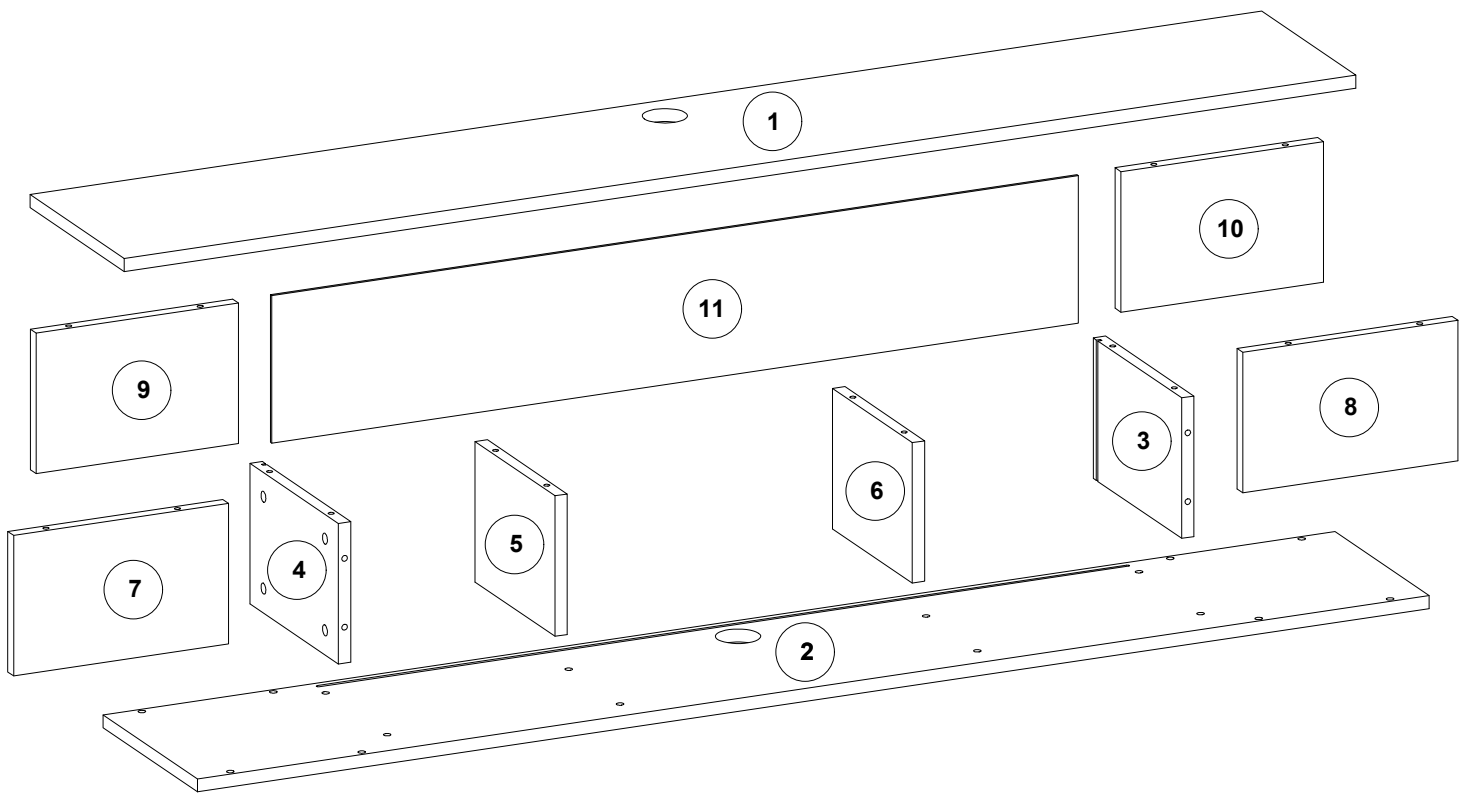
Happy assembling!

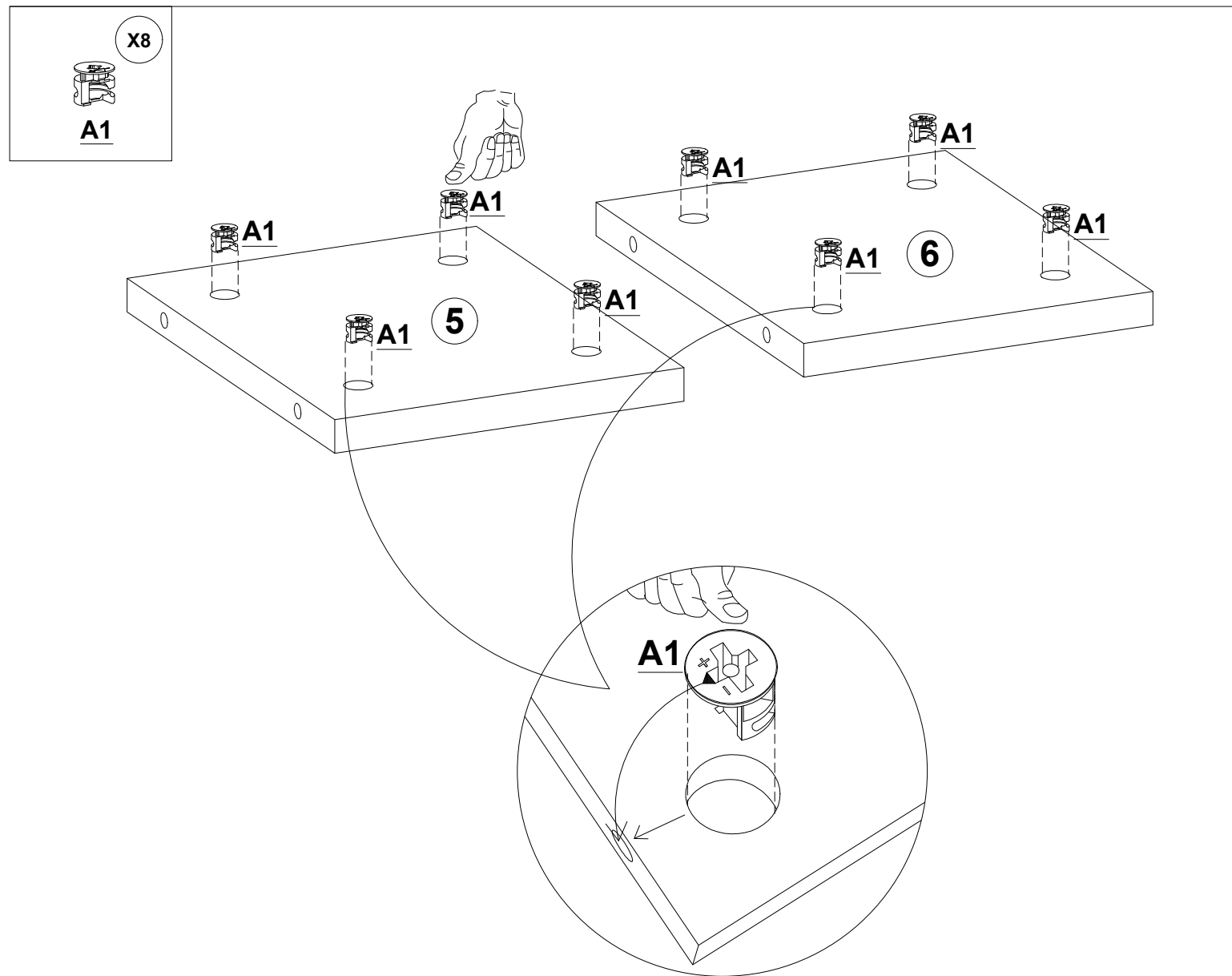
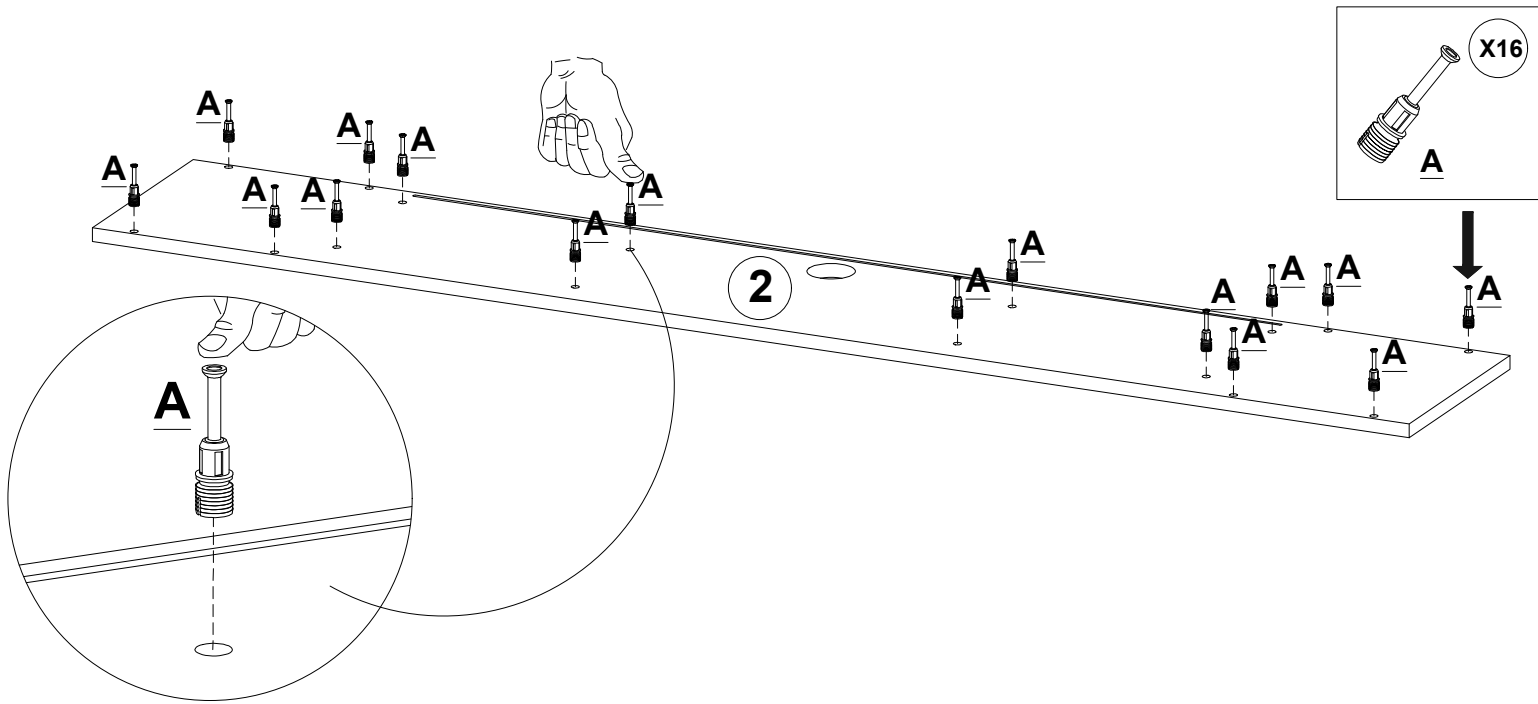
Use the drill only to secure the product to the wall.

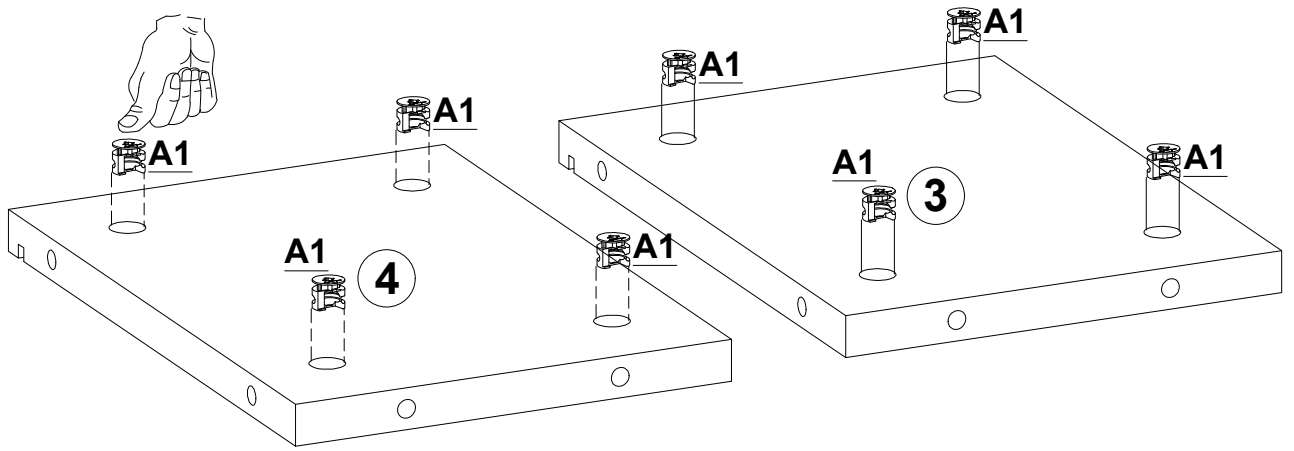
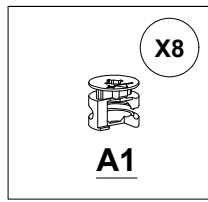
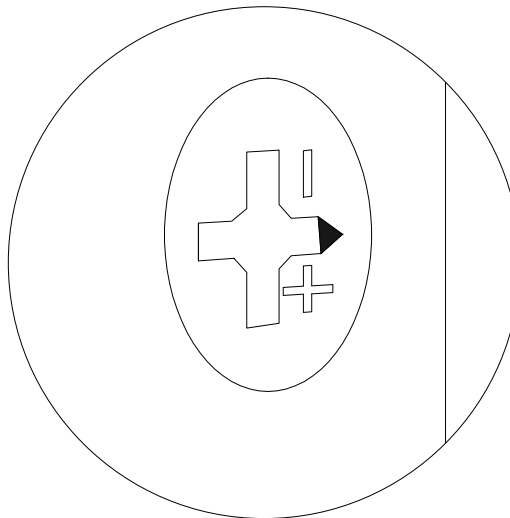
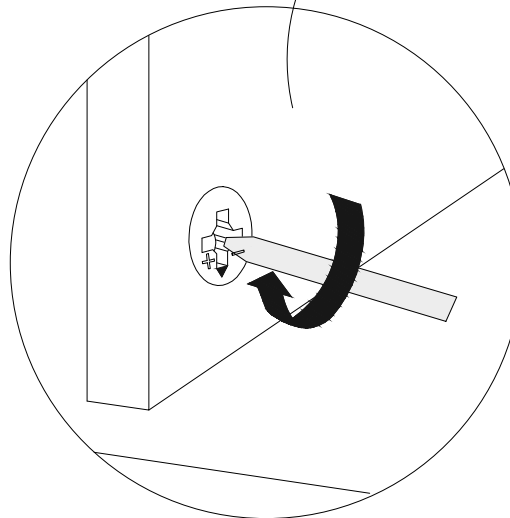
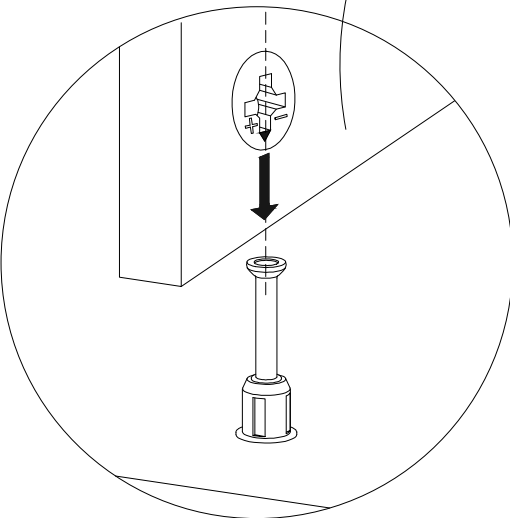
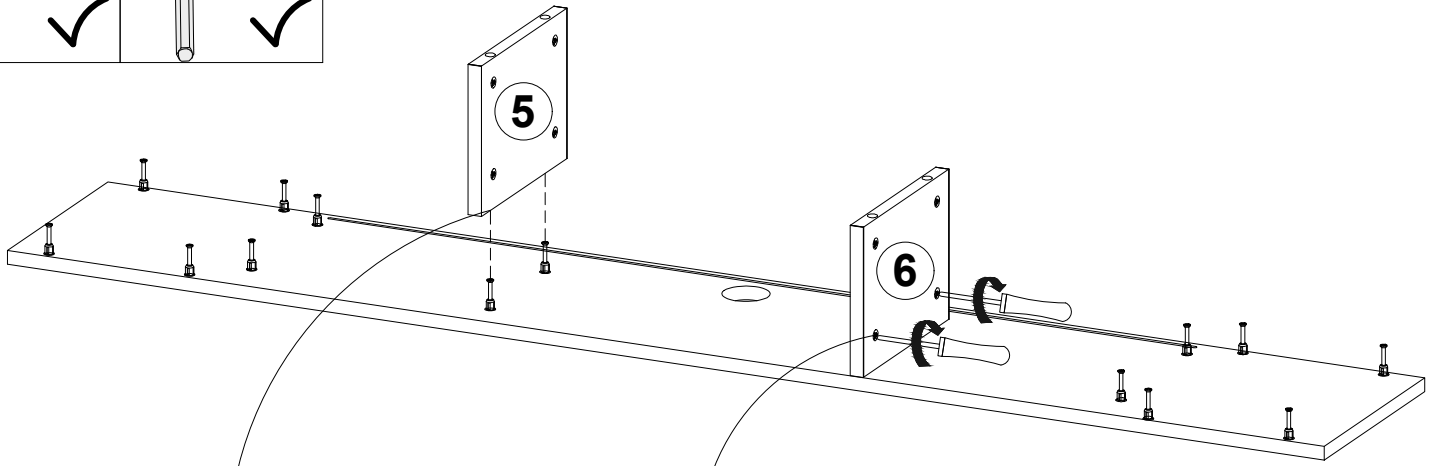
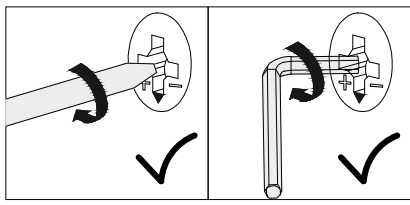


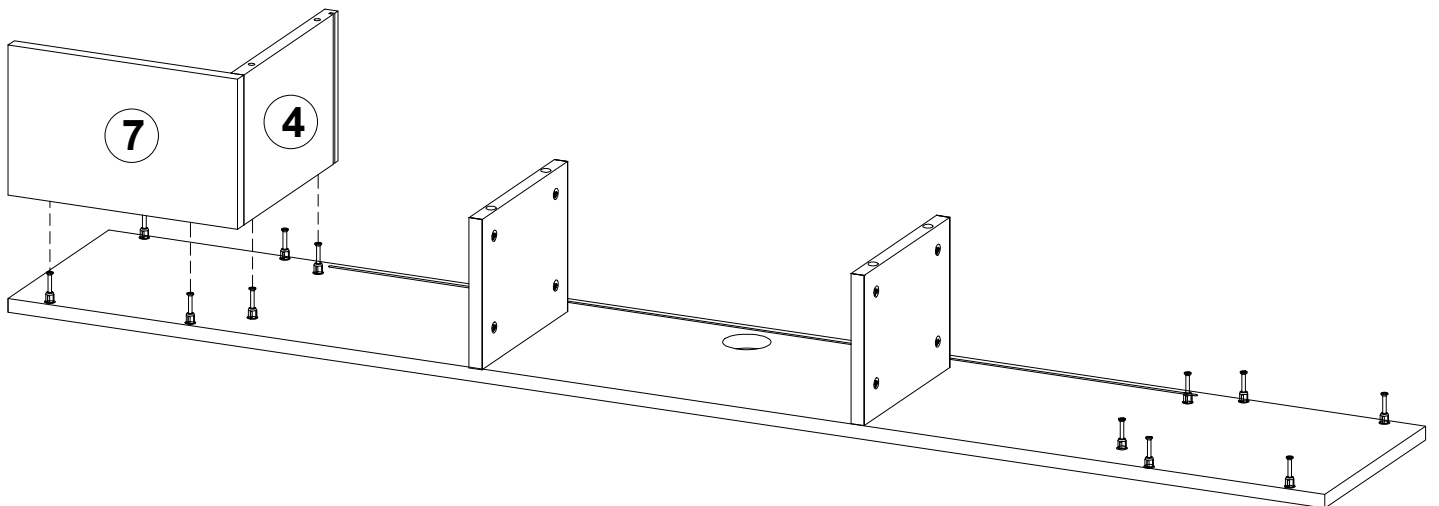
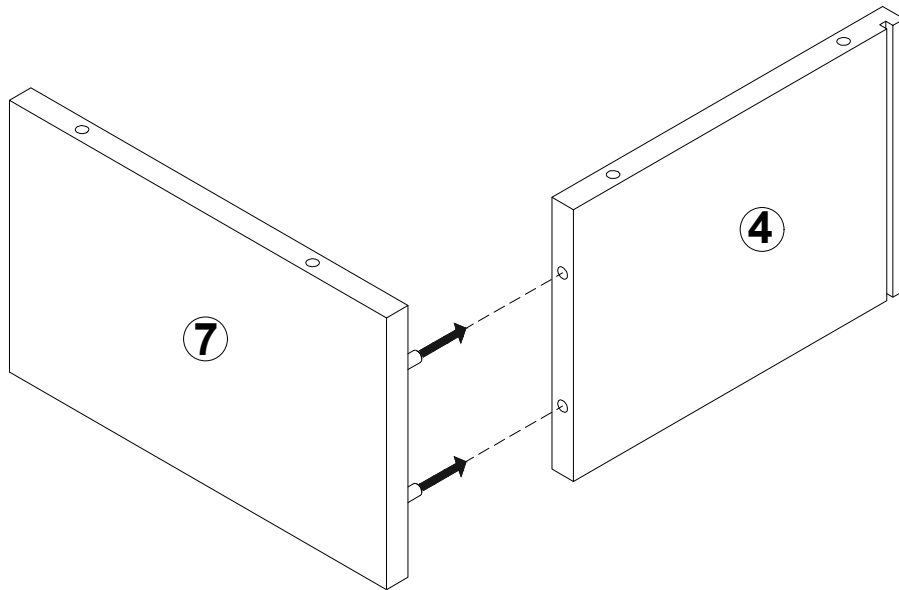
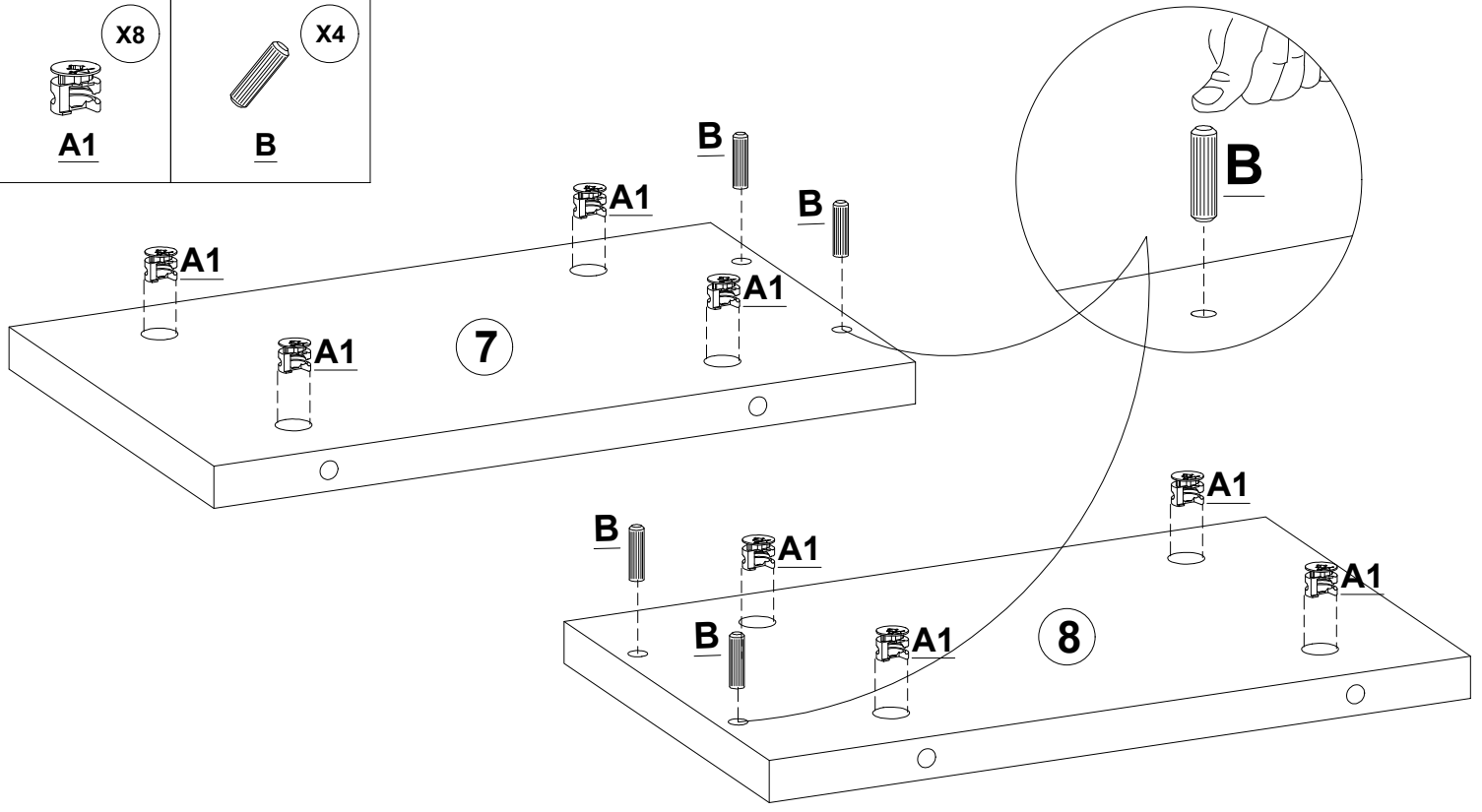
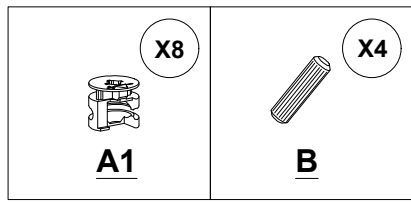


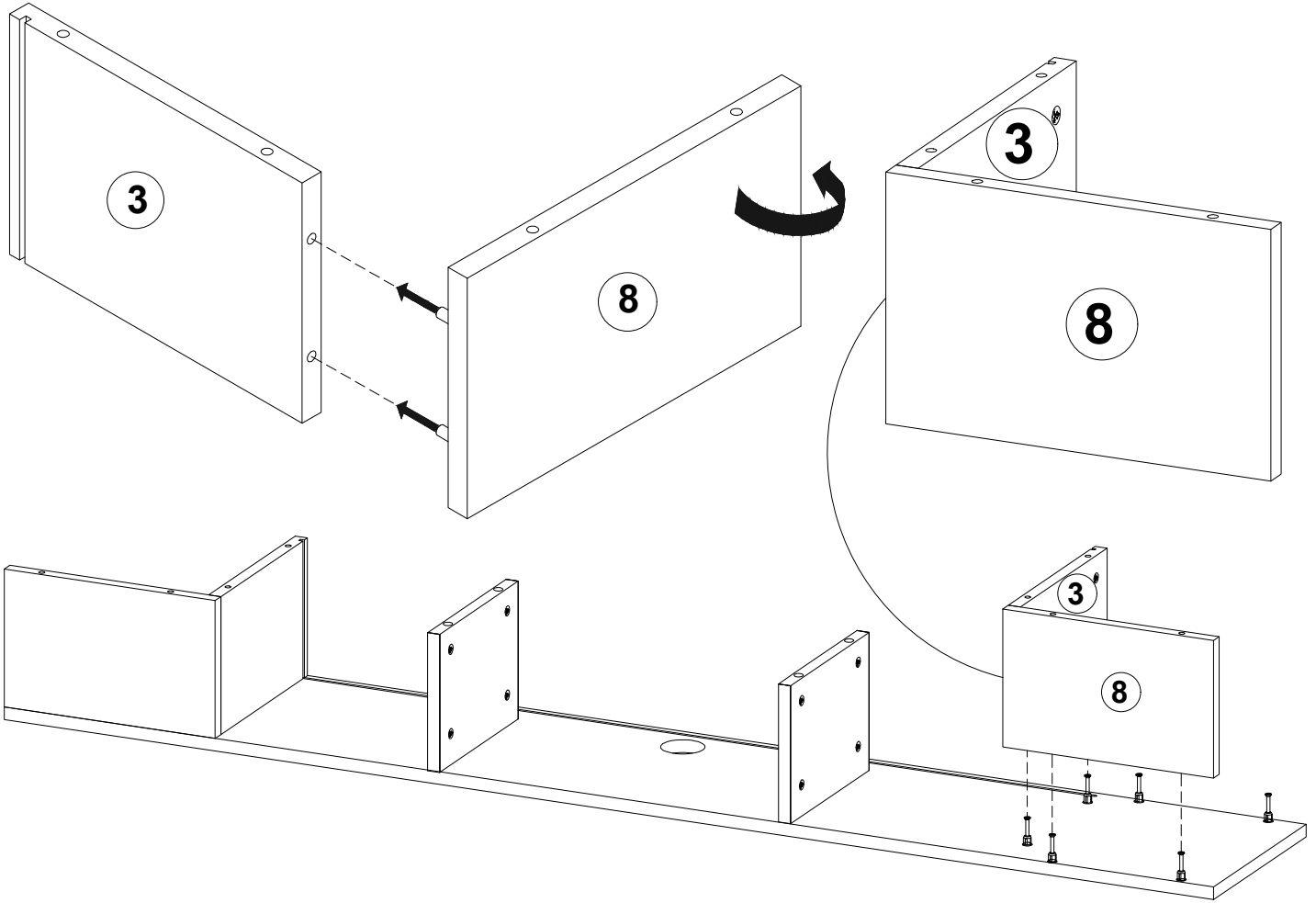
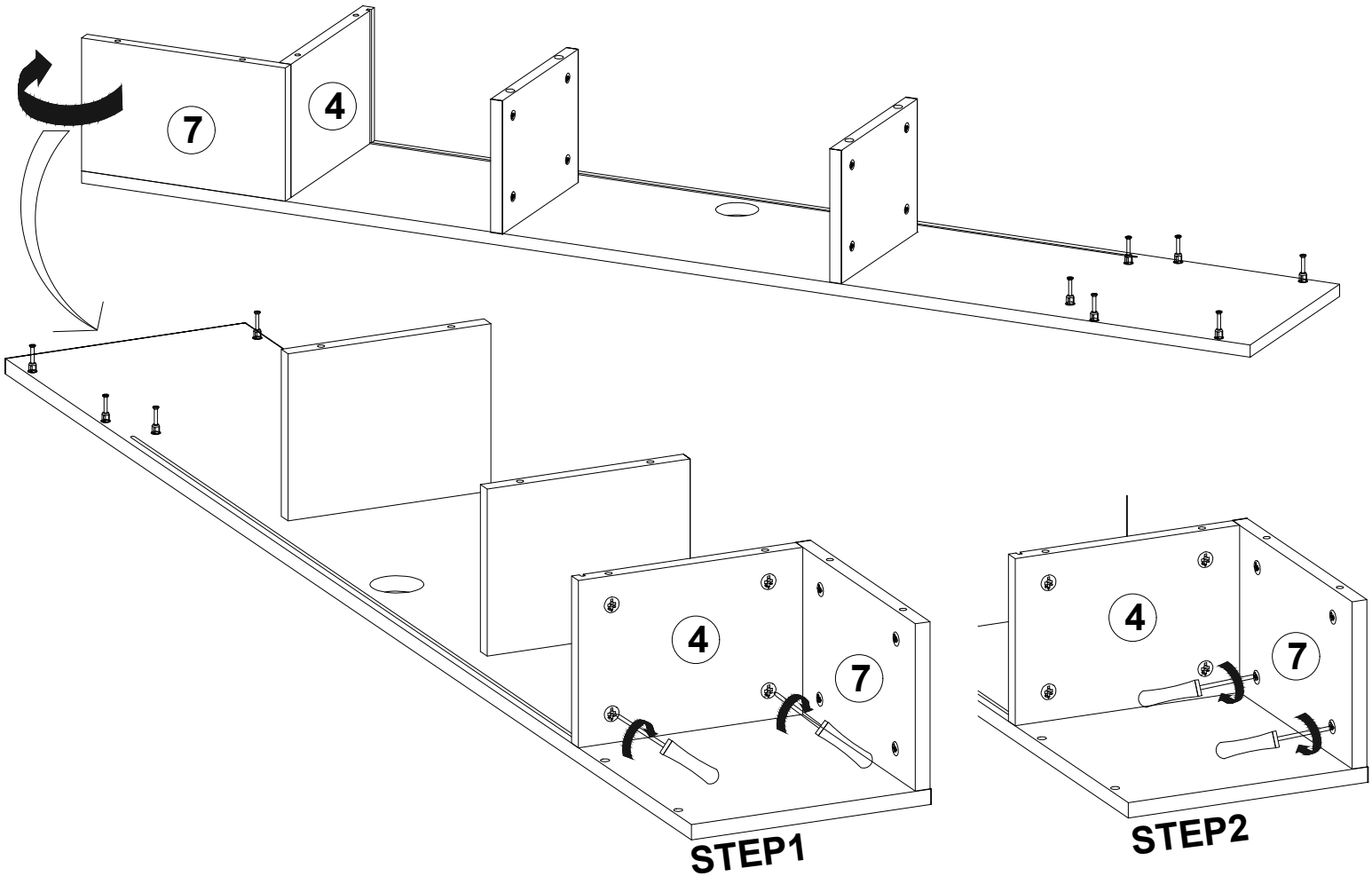
No	a*b(mm)	a*b(inches)	Pcs
1	1800x295	70 7/8x11 5/8	1
2	1800x295	70 7/8x11 5/8	1
3	196x276	7 3/4x10 7/8	1
4	196x276	7 3/4x10 7/8	1
5	196x250	7 3/4x9 7/8	1
6	196x250	7 3/4x9 7/8	1
7	196x315	7 3/4x12 3/8	1
8	196x315	7 3/4x12 3/8	1
9	196x296	7 3/4x11 5/8	1
10	196x296	7 3/4x11 5/8	1
11	1178x206	46 3/8x8 1/8	1

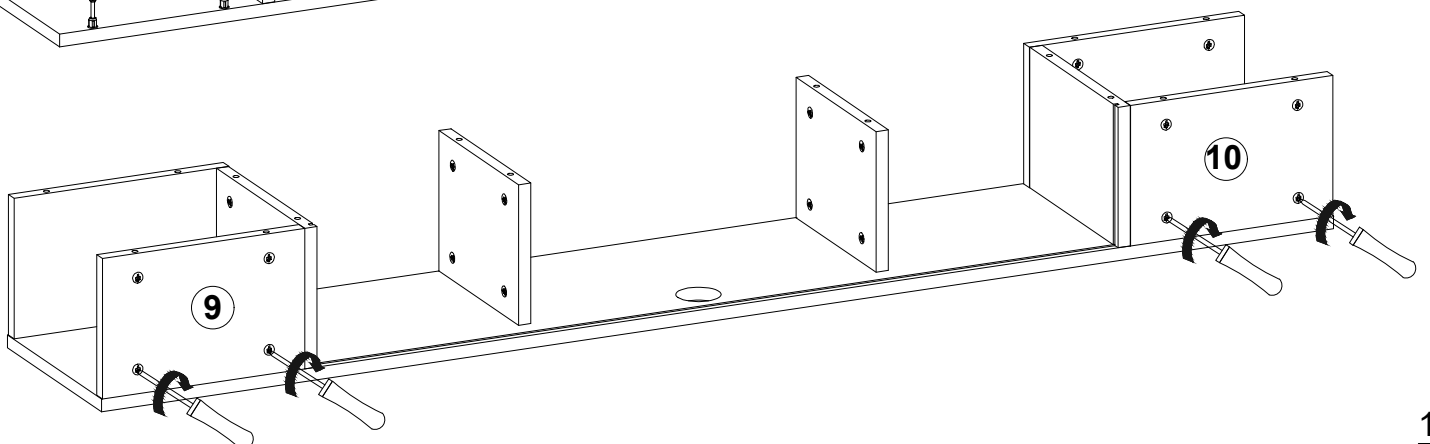
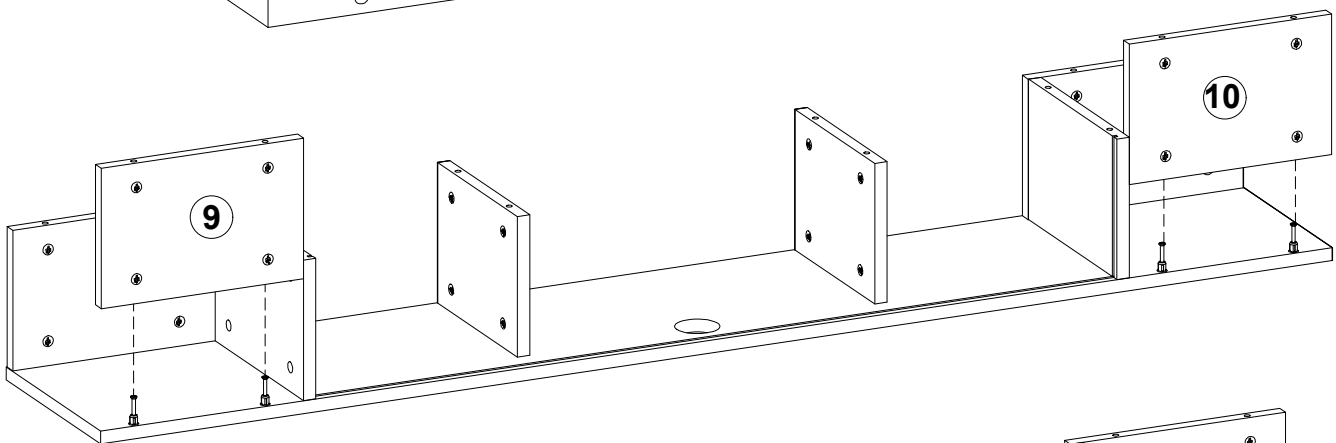
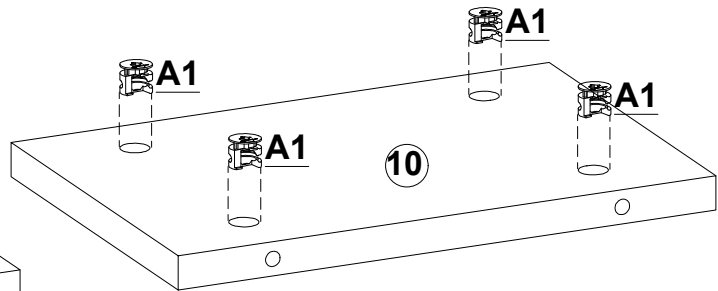
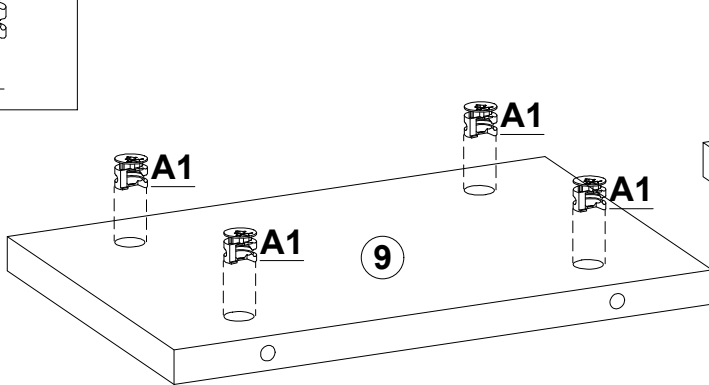
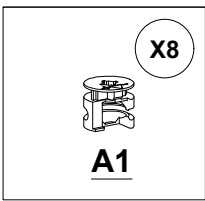
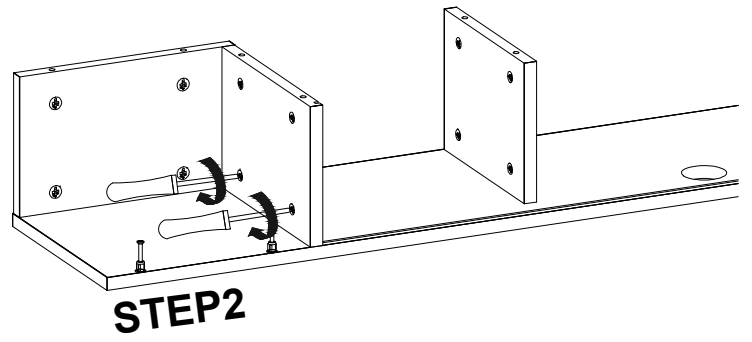
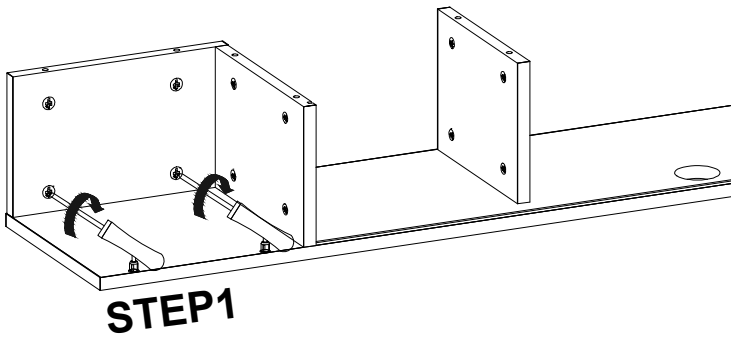
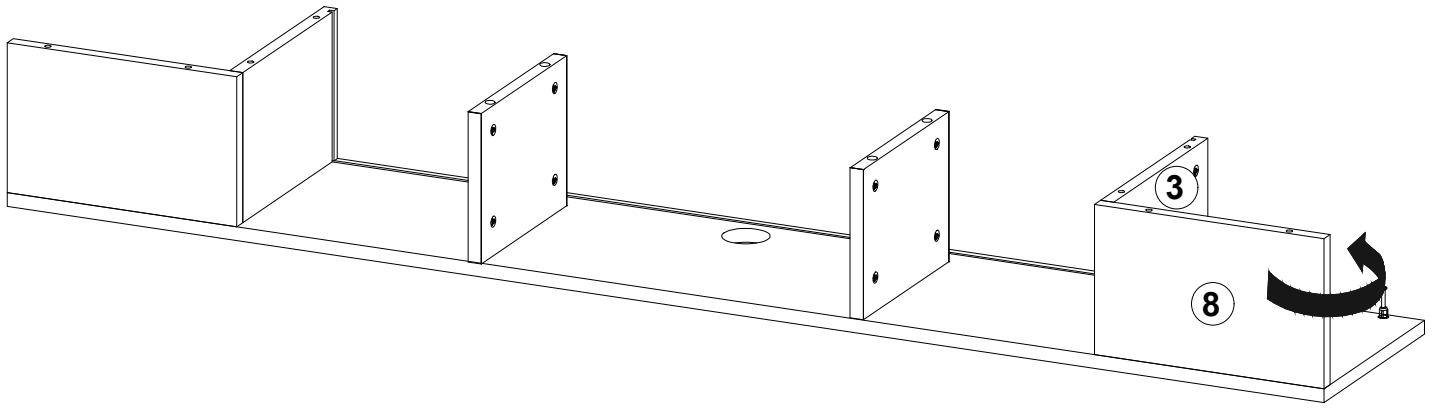


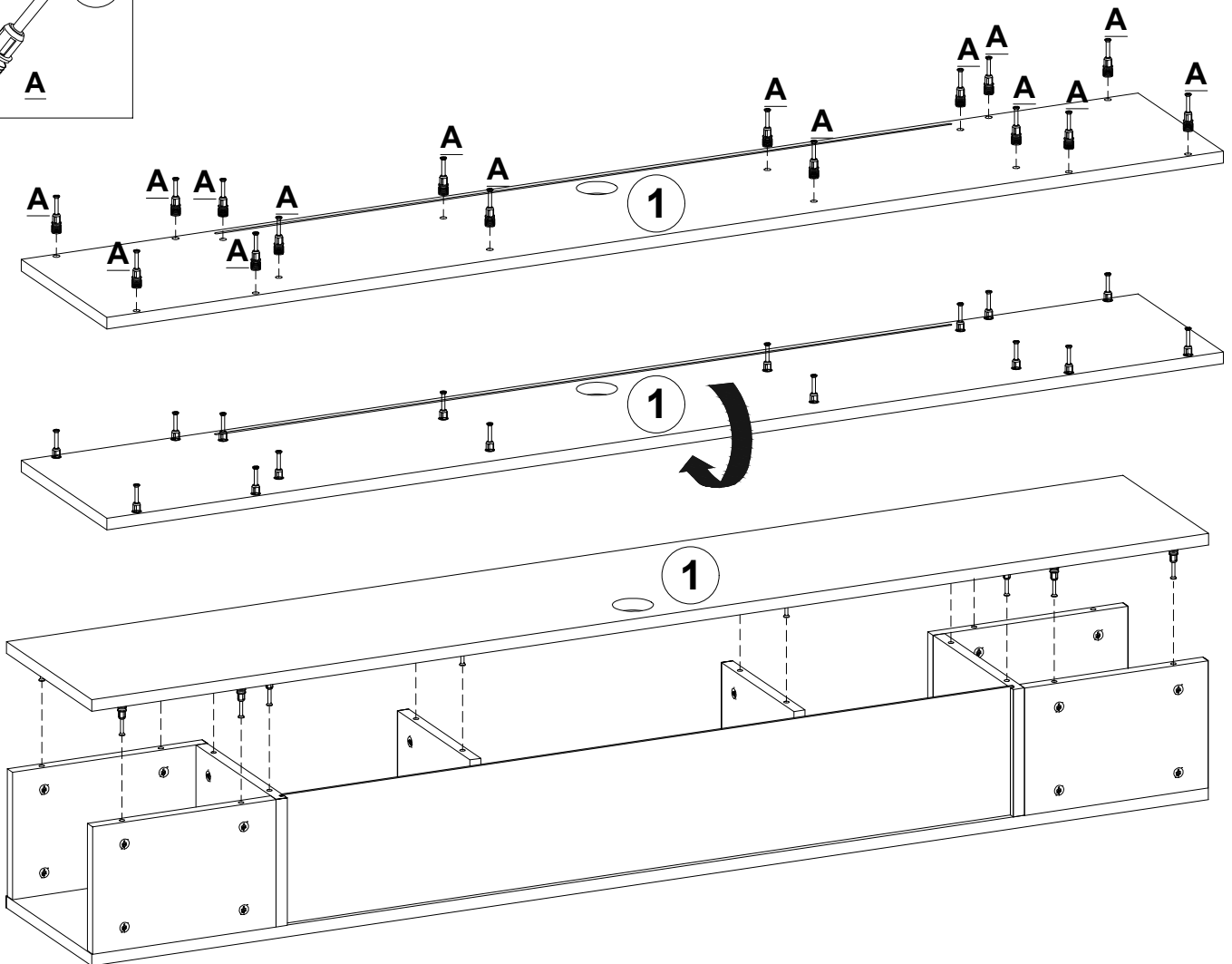
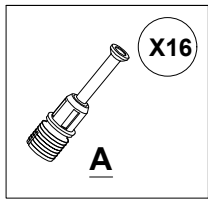
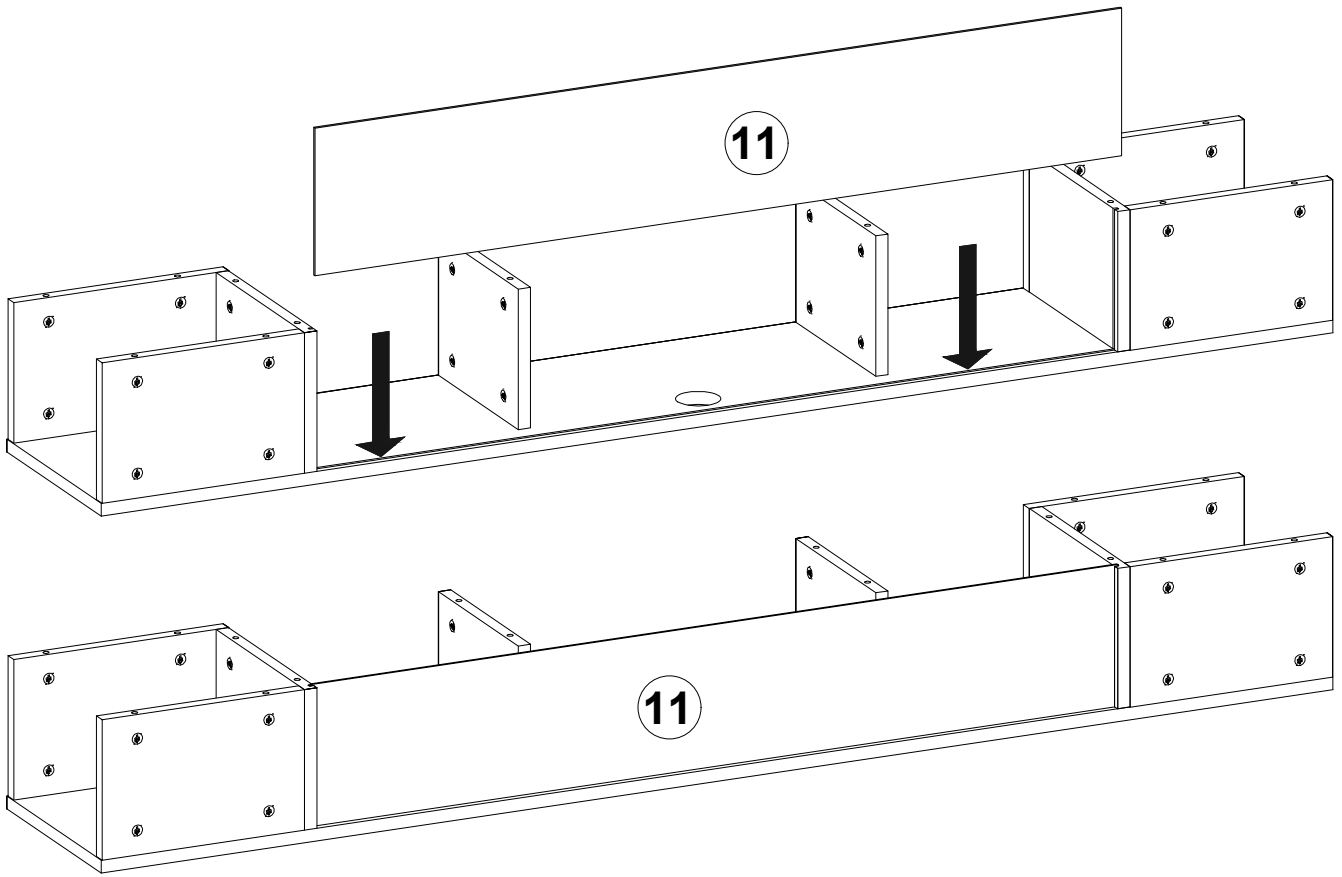


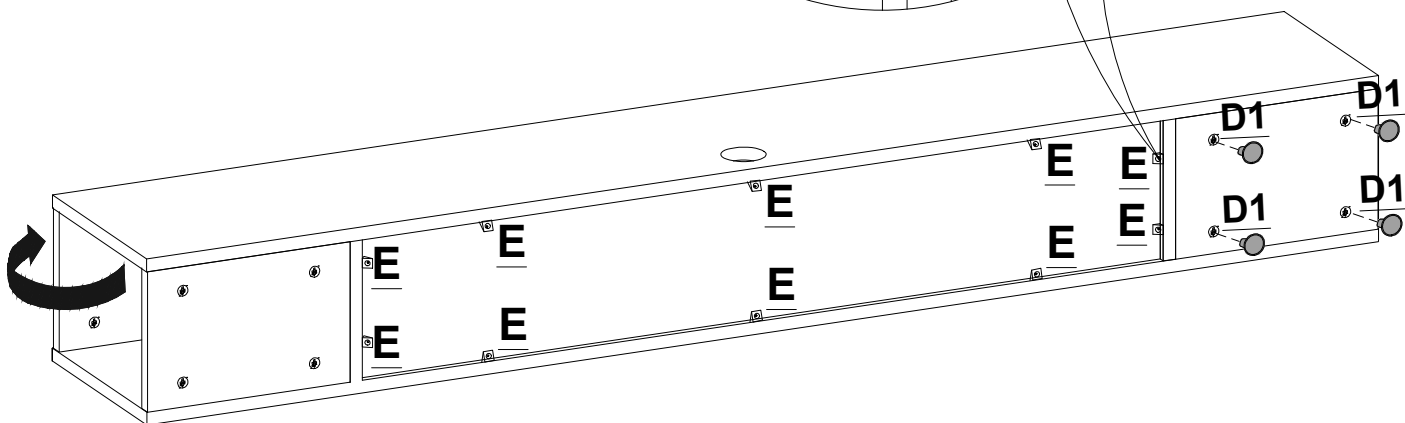
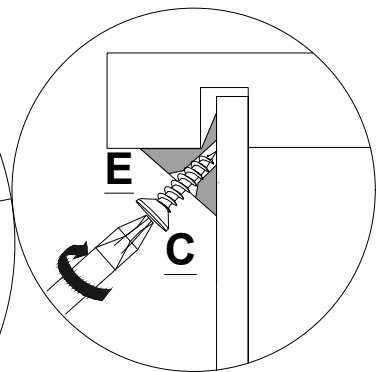
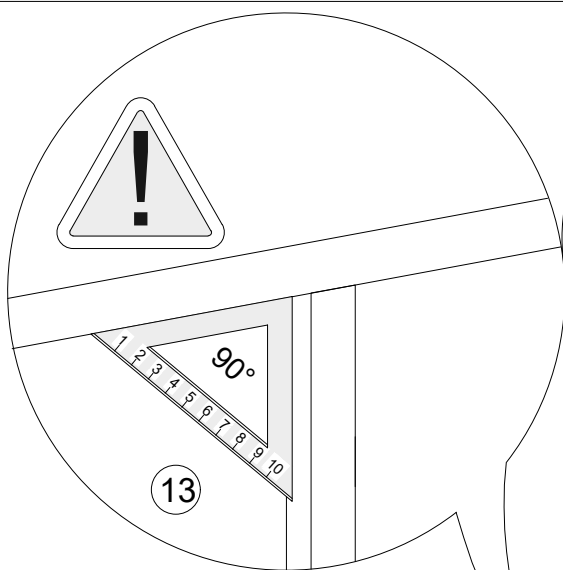
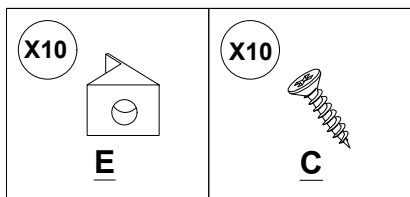
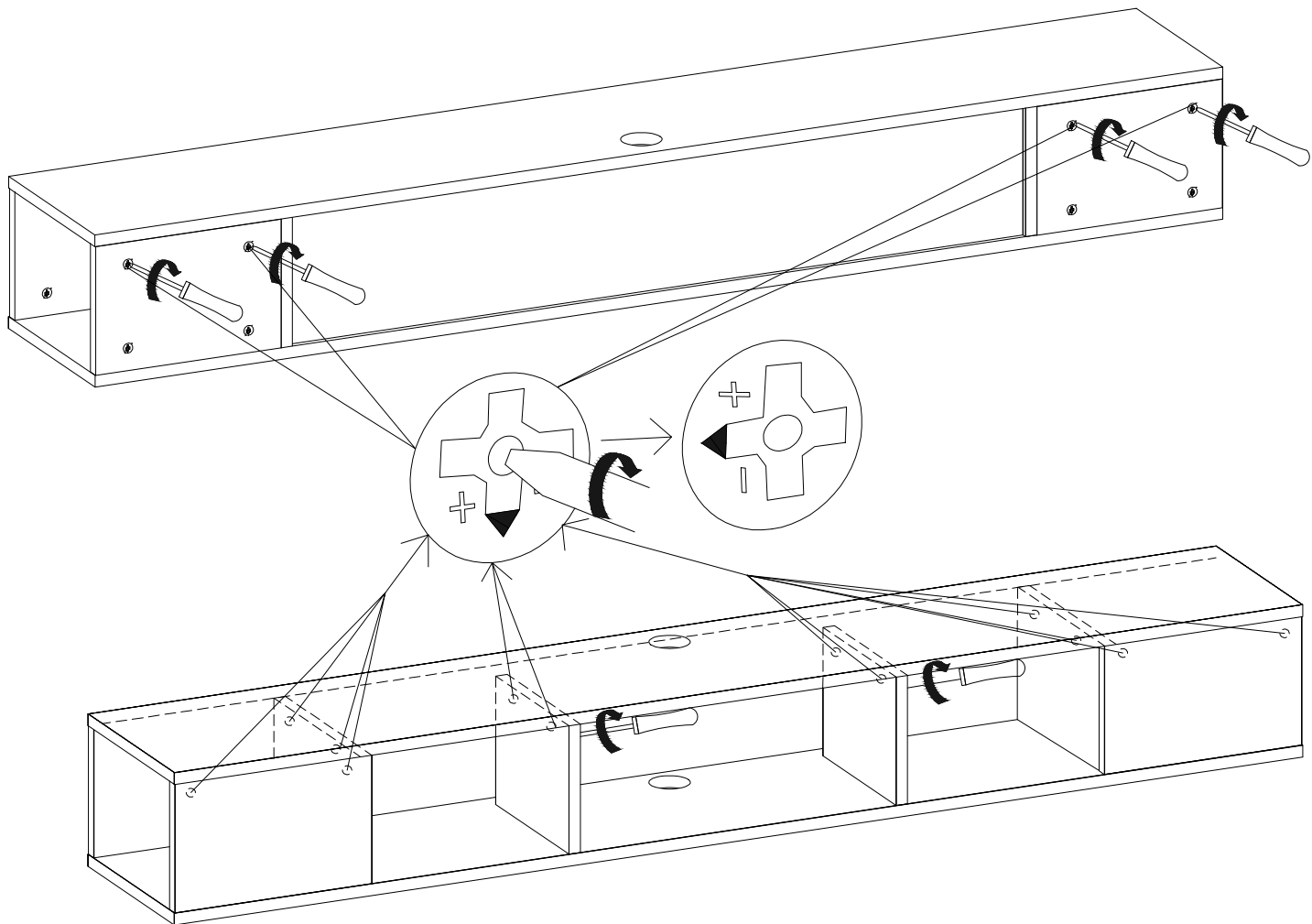


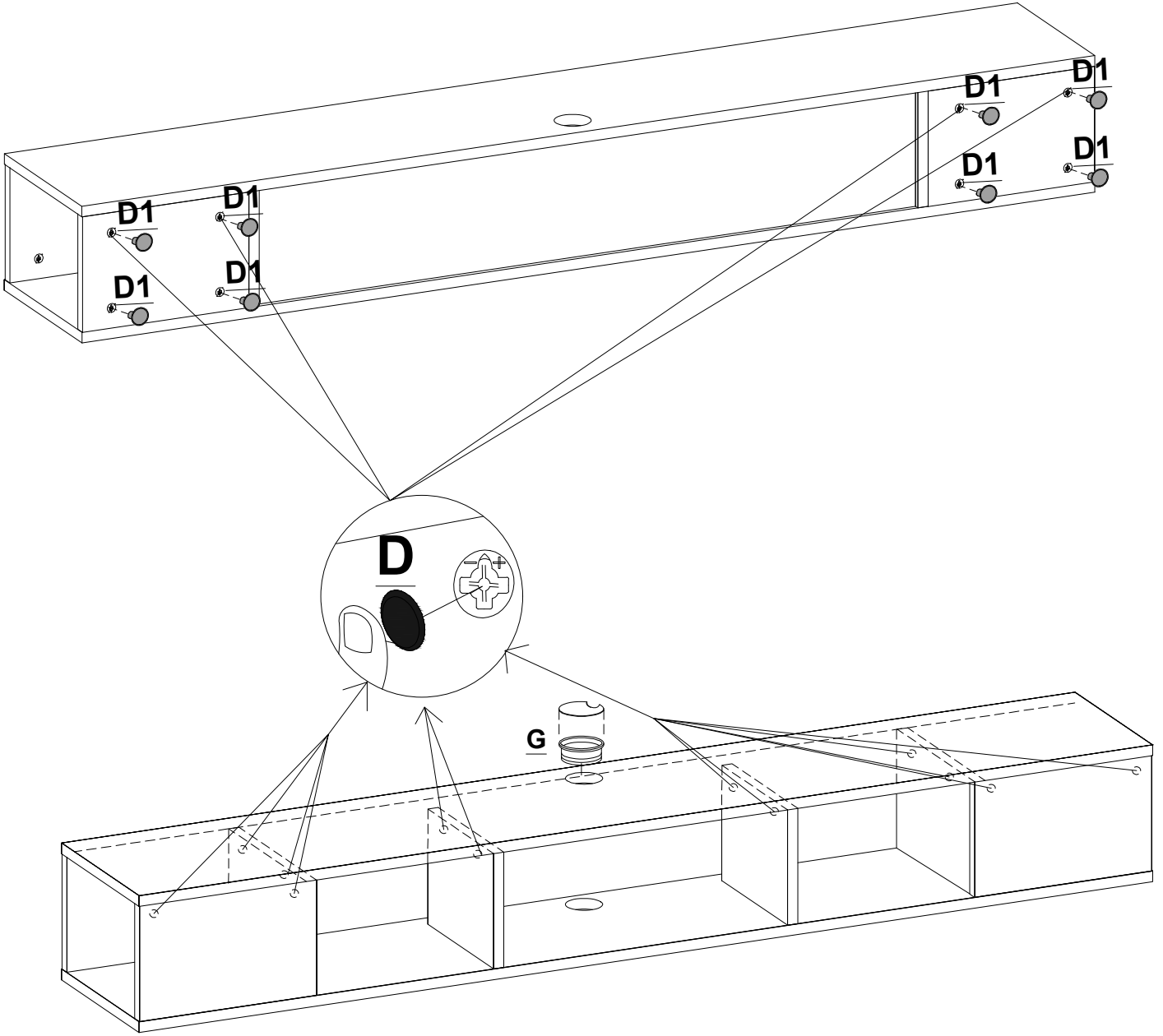
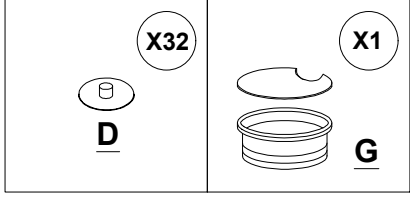


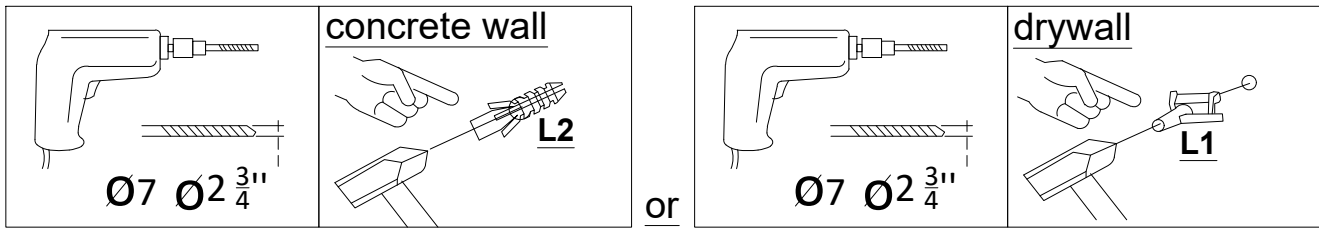
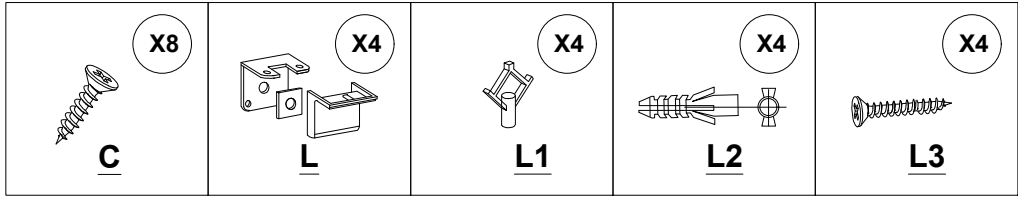




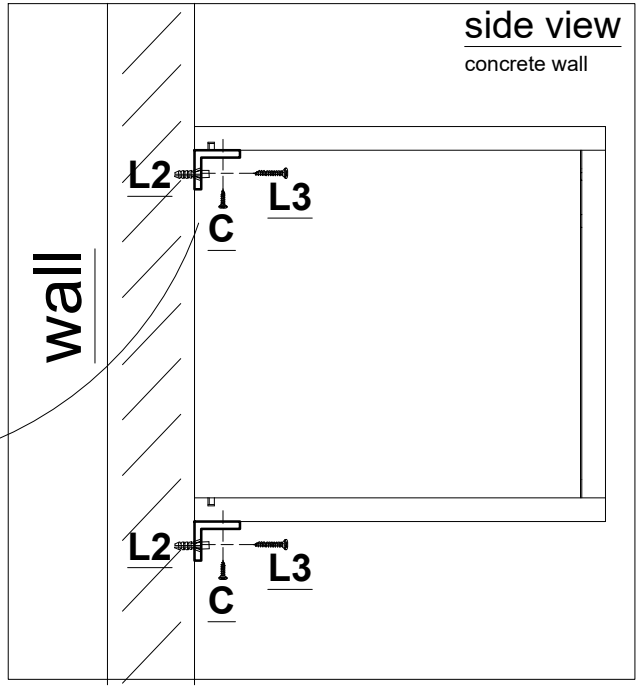
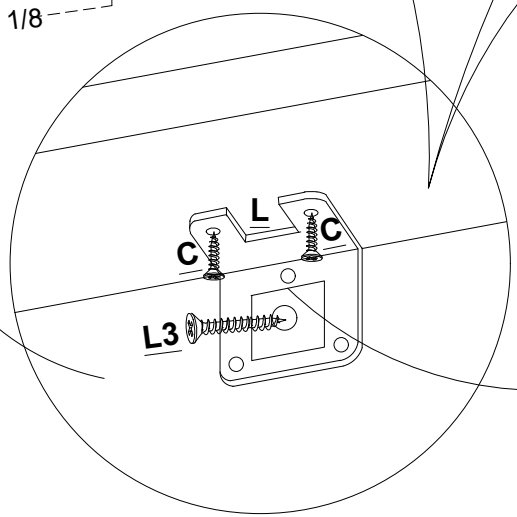
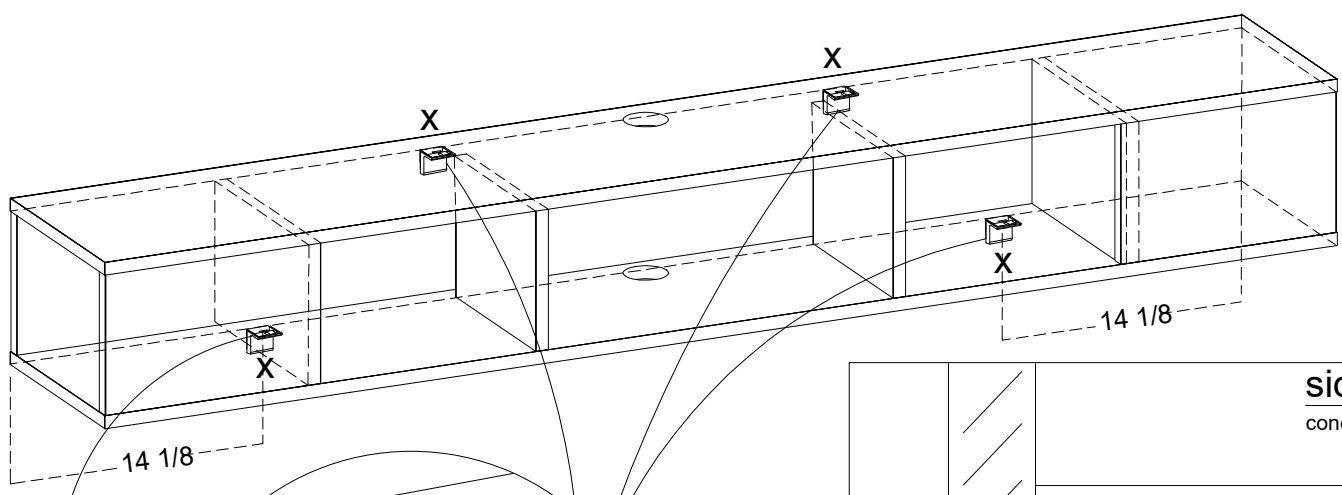
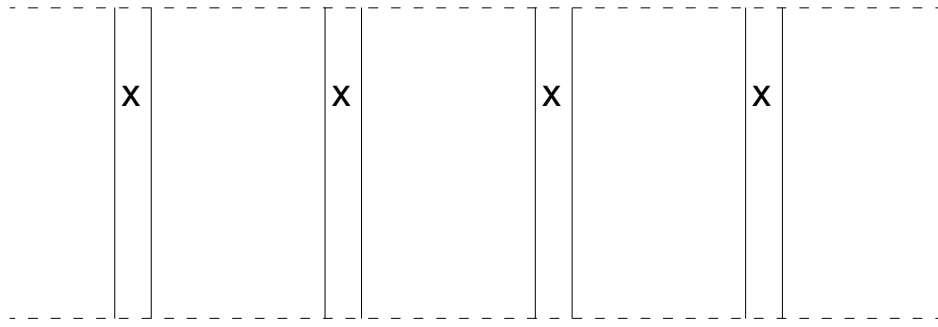




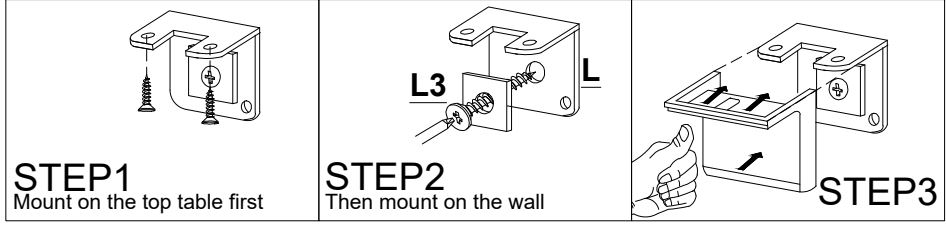




DRYWALL



Connection Detail



***In the detail above, reinforced concrete anchor is shown, but drywall anchor should be used in drywall wall.**

Notes

A series of horizontal dotted lines for writing notes.