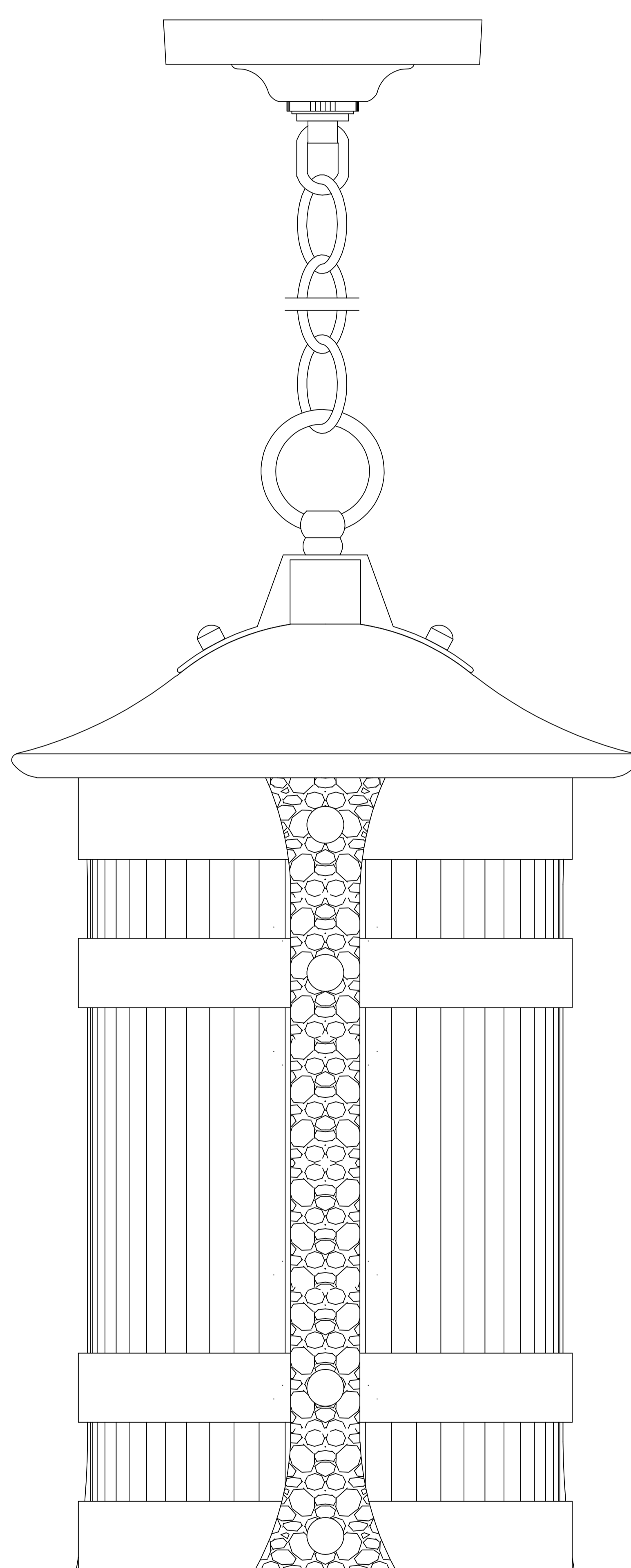


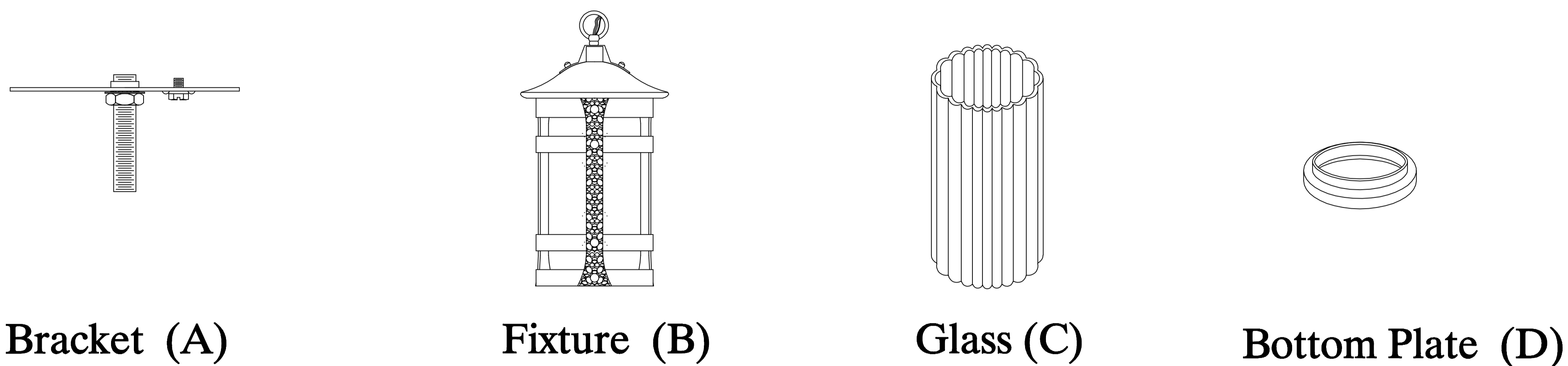
Please consult your electrician for hanging fixture and wiring.



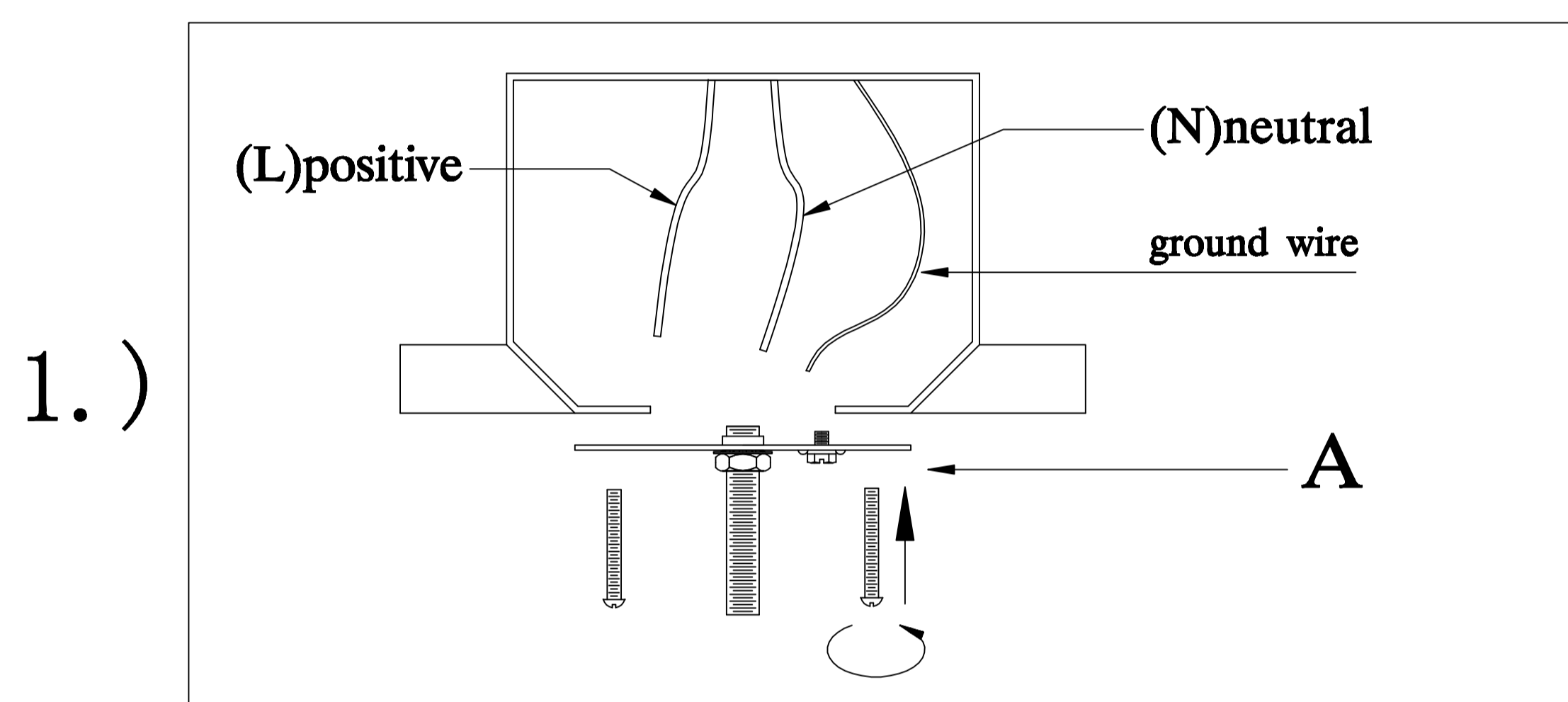
To prevent water intrusion, caulk around back-plate where fixture meets the wall using outdoor silicone sealant. Leave a small gap at the bottom to allow moisture to exit.

Bulb (not included) : MB 1×60W

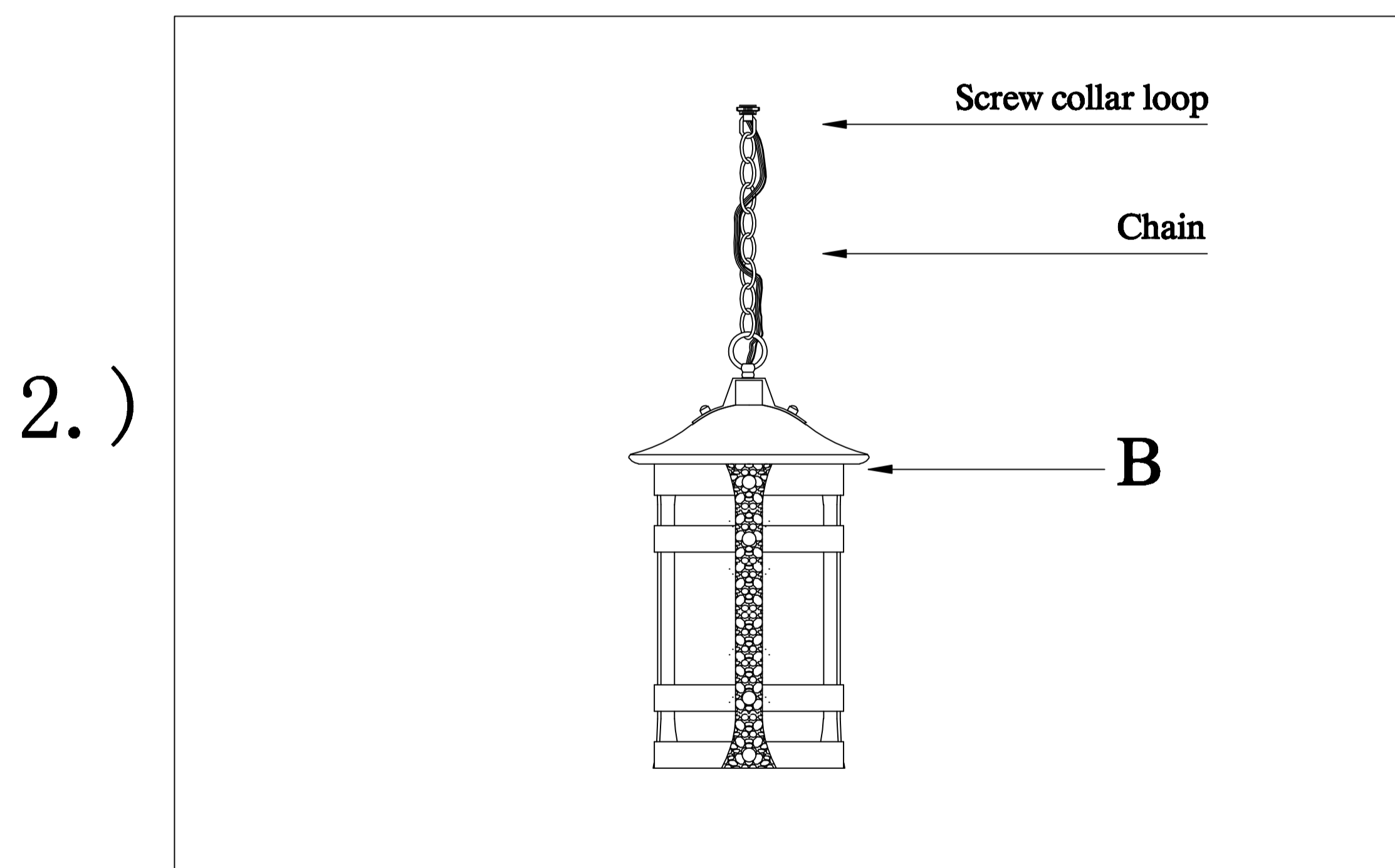
IMPORTANT: Turn off the power at the main fuse or circuit breaker box before starting installation.



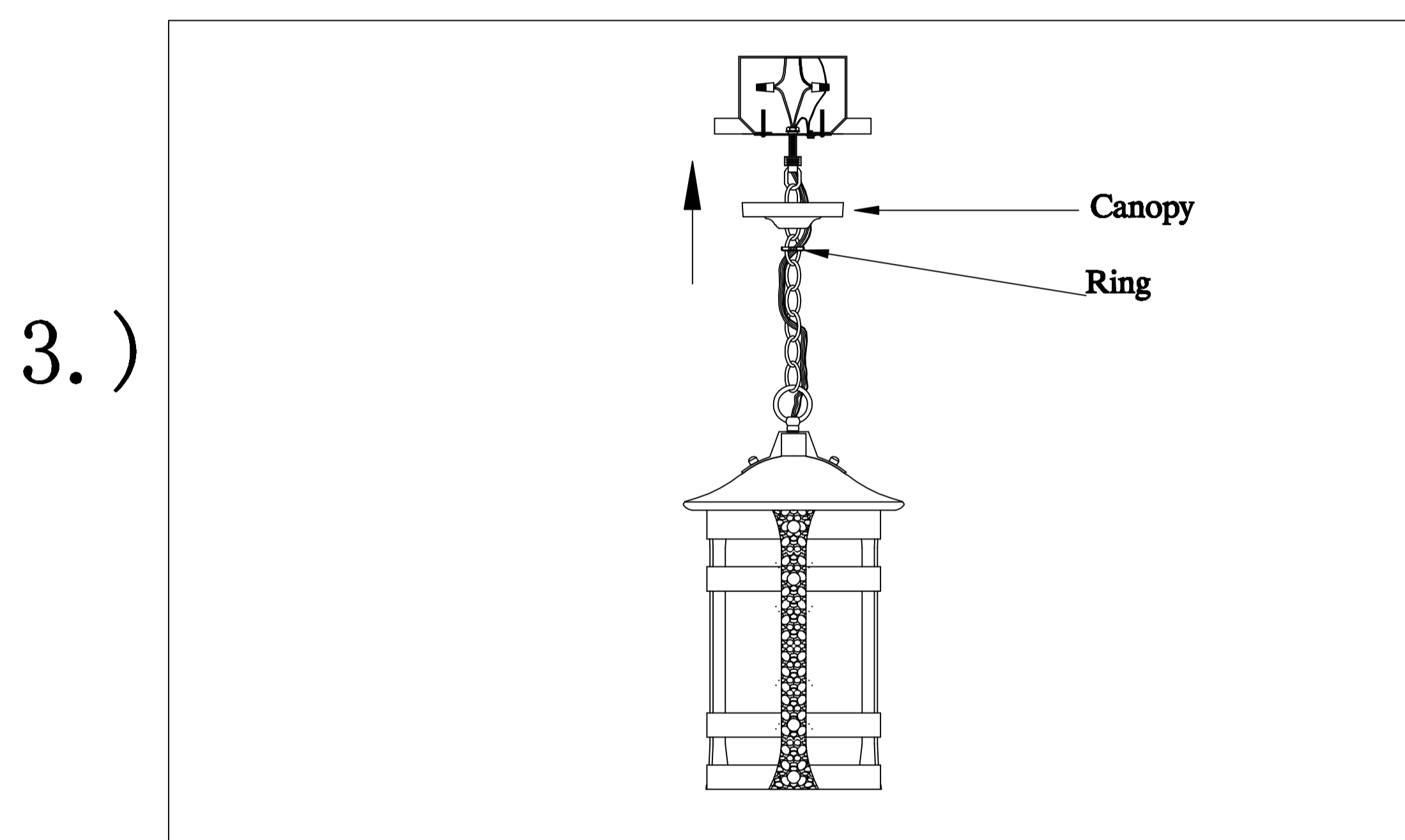
Locate all hardware & components before discarding packaging



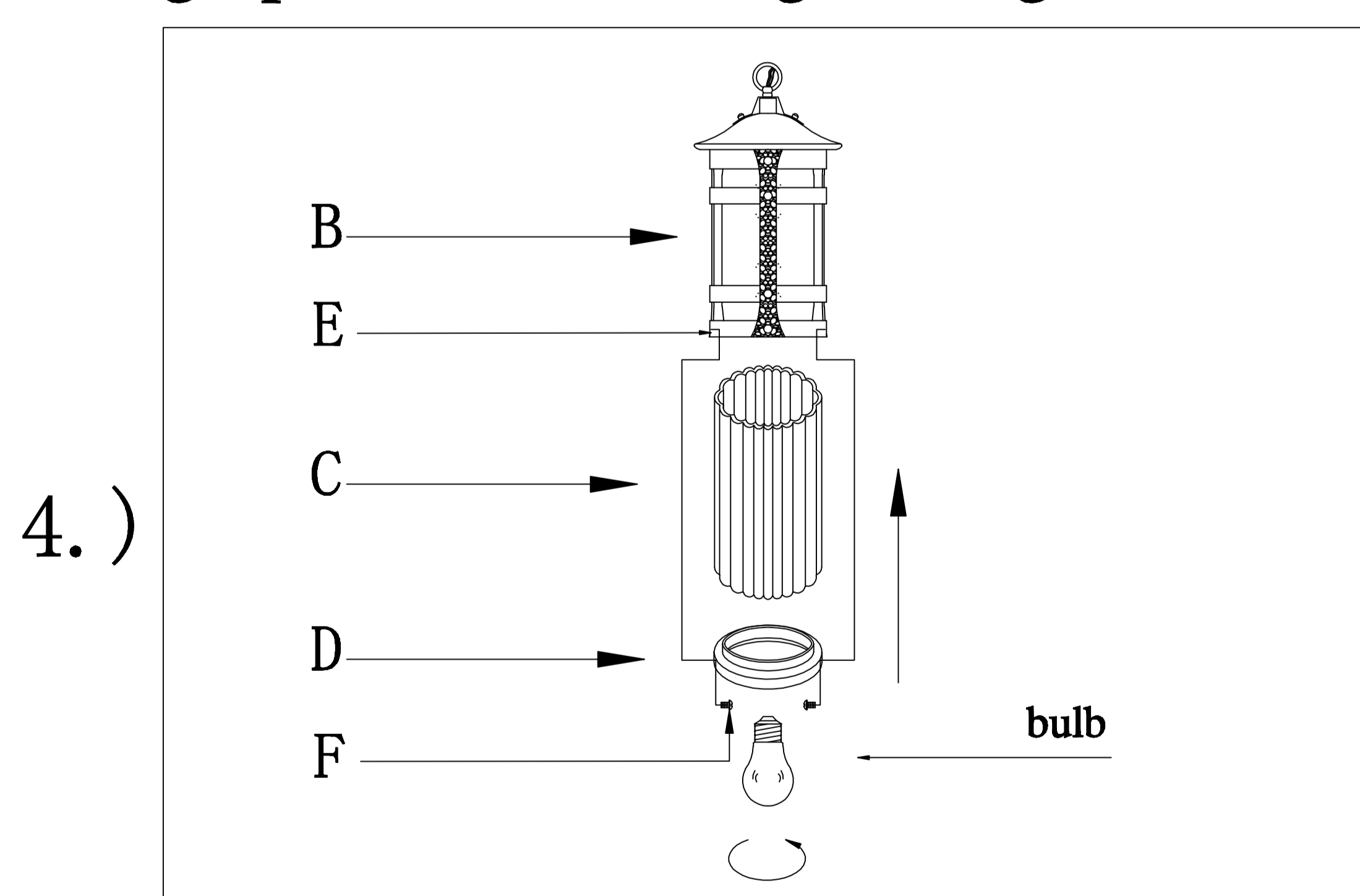
Step.1: Remove mounting bracket(A) from fixture and install to electrical box.



Step.2: Install chain to fixture(B), install screw collar loop to chain. Attach appropriate amount of chain to loop to achieve desired mounting height. Thread wire through every 3rd loop of chain.



Step.3: Remove ring from loop and slide down chain. Place canopy onto chain and let slide to top of fixture. Install screw collar loop to bracket. Pull canopy through screw ring up chain to ceiling and tighten securely.



Step.4: Attach glass(C) and secure using bottom plate(D) to the fixture using screws(F) at point(E). Install MB bulb.

Cleaning & Care:
Clean with soft cloth and a mild detergent.
DO not use abrasive cleaner.