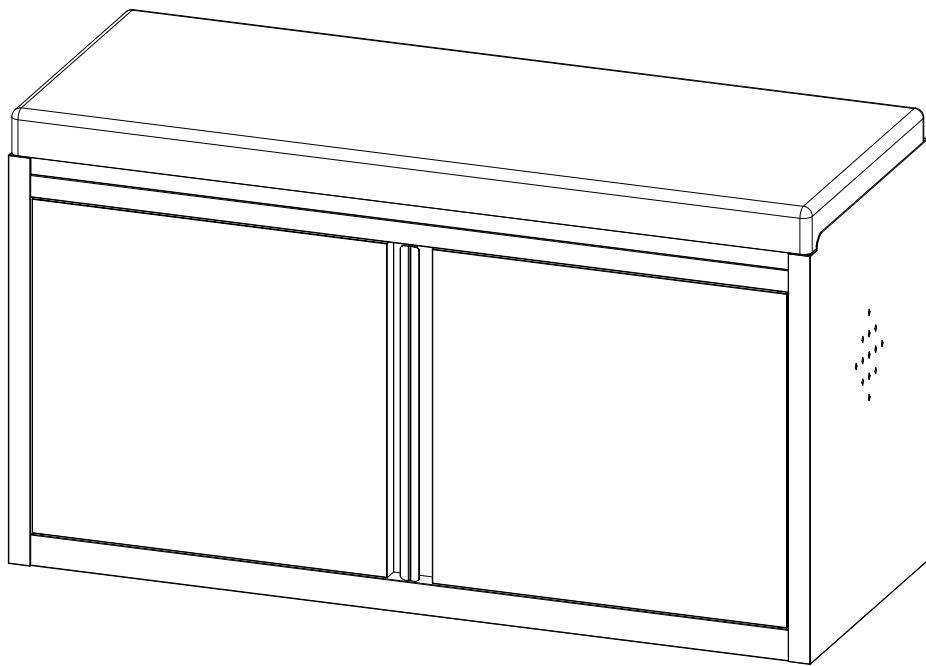
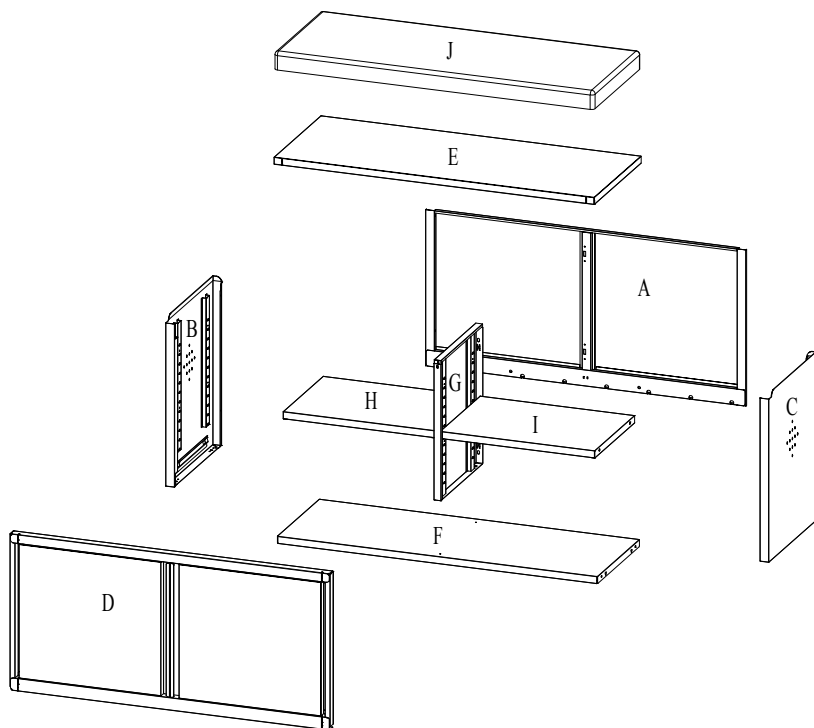
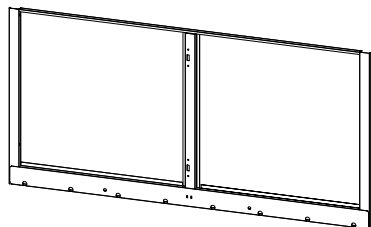


ASSEMBLY INSTRUCTION



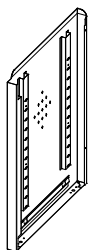


BACK PANEL



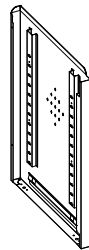
-A
-1pc

LEFT SIDE PANEL



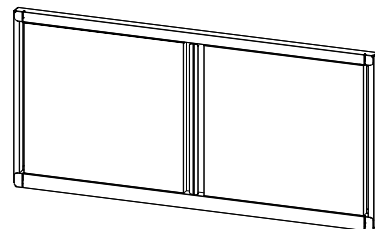
-B
-1pc

RIGHT SIDE PANEL



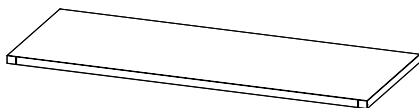
-C
-1pc

DOOR PANEL



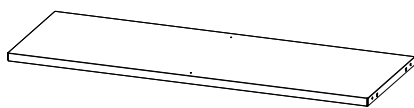
-D
-1pc

TOP PANEL



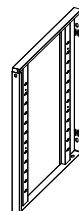
-E
-1pc

BOTTOM PANEL



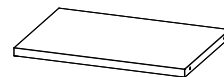
-F
-1pc

VERTICAL PLATE



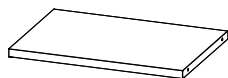
-G
-1pc

LEFT SHELF



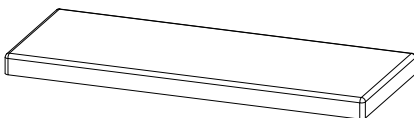
-H
-1pc

RIGHT SHELF



-I
-1pc

CUSHION



-J
-1pc

SCREW



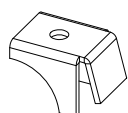
-K
-7pcs
-M4X8

METAL ACCESSORY



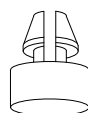
-L
-2pcs

METAL ACCESSORY FOR SHELF



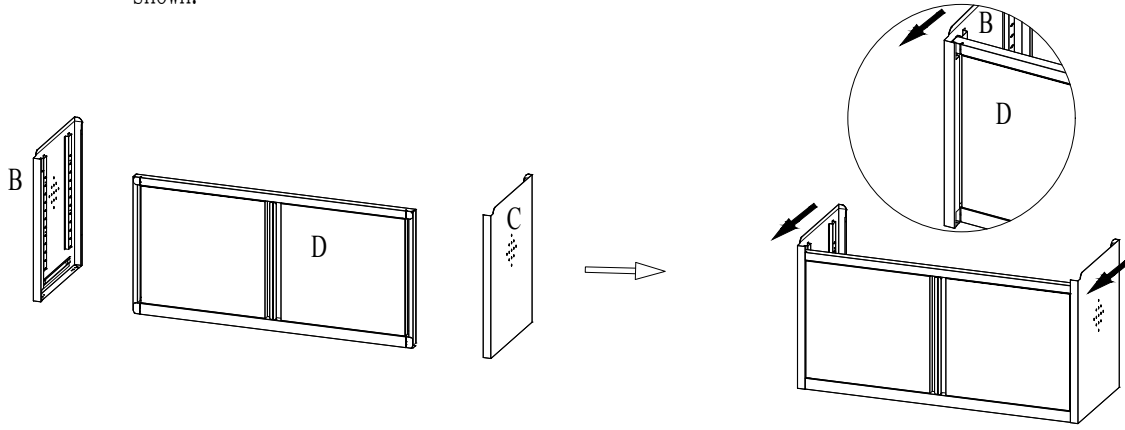
-M
-8pcs

PLASTIC ACCESSORY



-N
-8pcs

Step 1 Connect door panel (D) with left side panel (B) and right side panel (C) as picture shown.

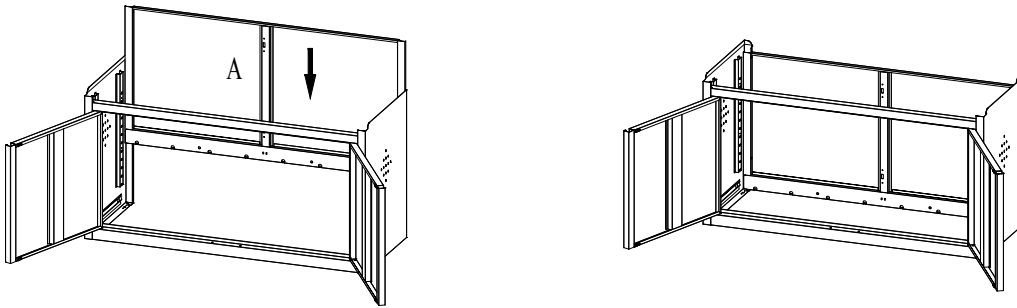


Need



Part B 1PC
Part C 1PC
Part D 1PC

Step 2 Connect back panel (A) with left side panel B and right panel C.

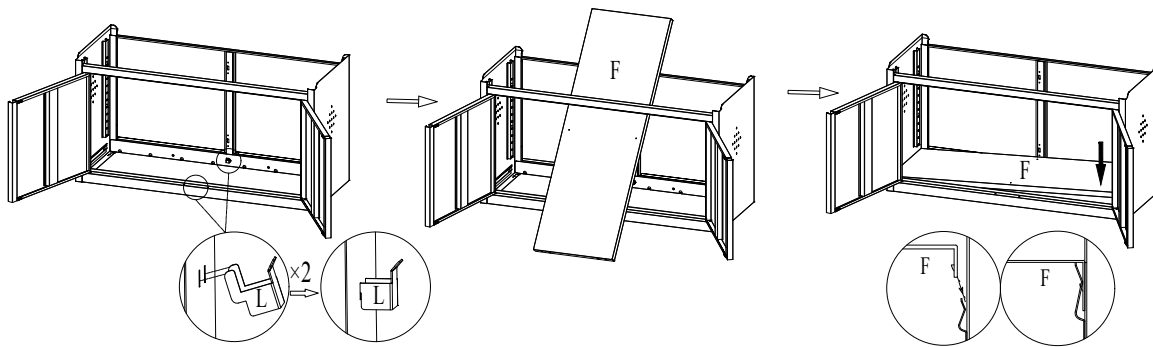


Need



Part A 1PC

Step 3 Install metal accessories (L) into the hole of the foot panel, then put bottom panel (F) into the frame and press both side.

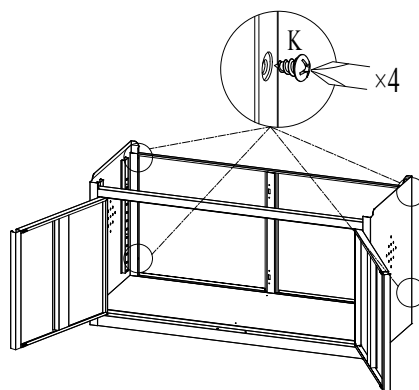


Need



Part F 1PC
Part L 2PCS

Step 4 Using 4 pcs screws (K) to fixed as picture shown.

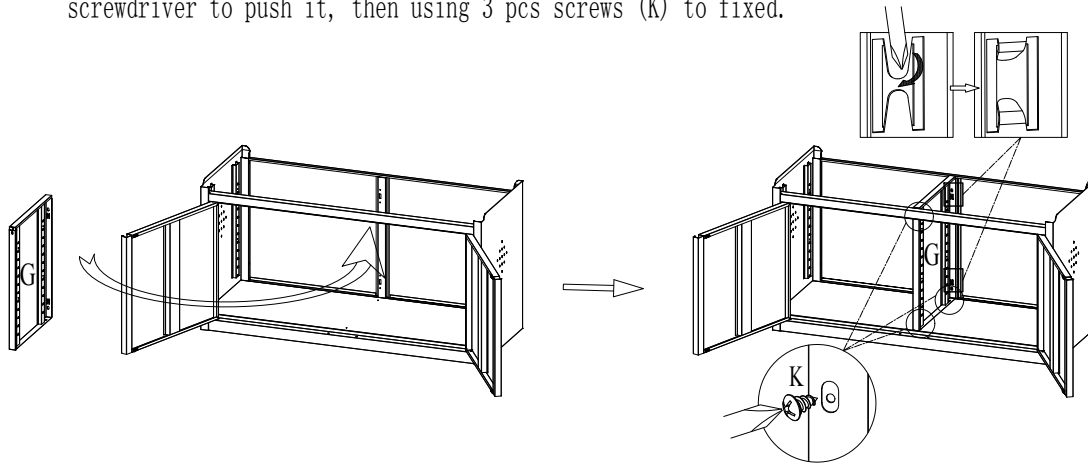


Need



Part K 4PCS

Step 5 Install vertical plate (G) as picture shown, find the "H" hole and using screwdriver to push it, then using 3 pcs screws (K) to fixed.

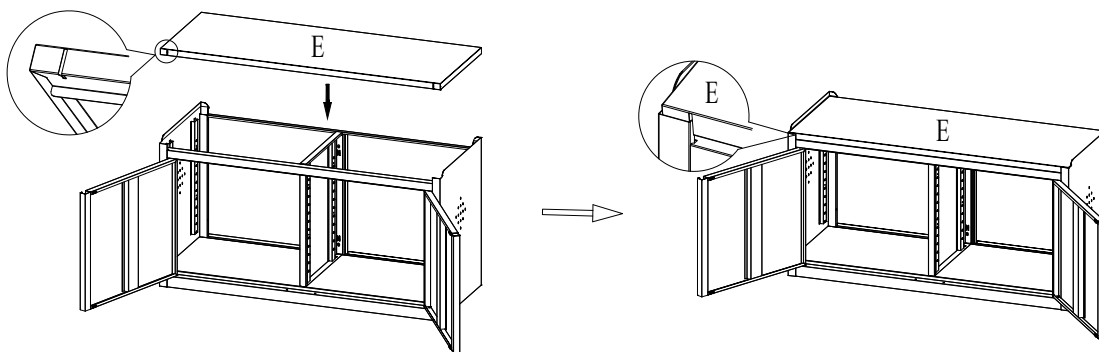


Need



Part G 1PC
Part K 3PCS

Step 6 Install top panel (E) as picture shown.



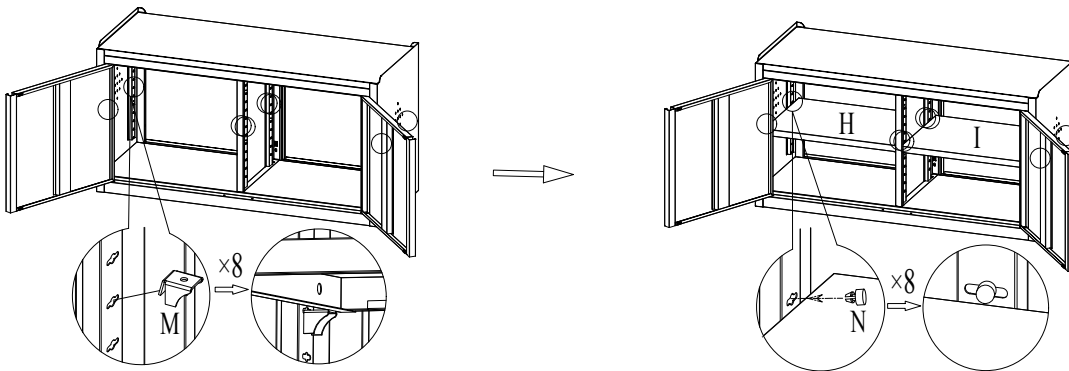
Need



Part E 1PC

Step 7 Install shelves (H) & (I).

- 6.1 Put the metal accessories (M) into the hole of both side, then put shelves (H) & (I).
- 6.2 Using plastic accessories (N) to fixed shelves.

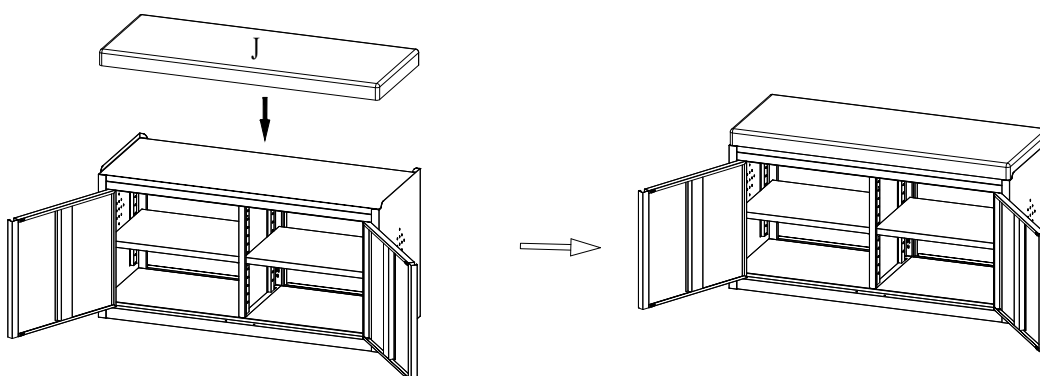


Need



Part H 1PC
Part I 1PC
Part M 8PCS
Part N 8PCS

Step 8 Put cushion (J) on the cabinet.



Need



Part J 1PC