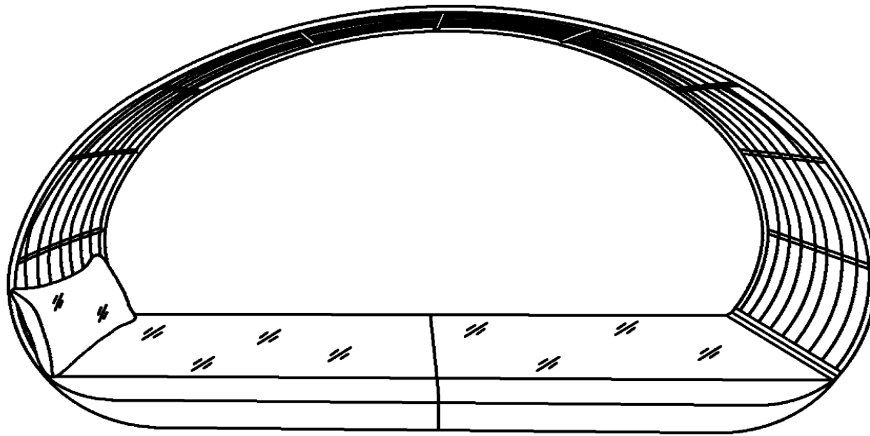


Assembly Instructions

Caution : You must read this before you proceed

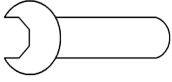
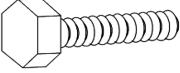
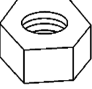


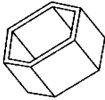

Daybed



Parts List

Label	Picture	Description	QTY
A		Bed Panel	2
B		Left/Right Top Panel	2
C		Top Panel	1
D		Cushion	1
E		Pillow	1

Hardware

Label	Picture	Description	QTY
①		Wrench	2
②		Bolt (M8*70)	13
③		Nut (M8)	13
④		Washer (M8)	25
⑤		Spring Washer	13
⑥		Bolt Cap	9
⑦		Nut Cap	9

Assembly Preparation

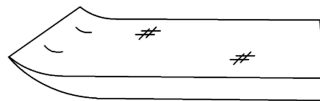
Before Beginning Assembly:



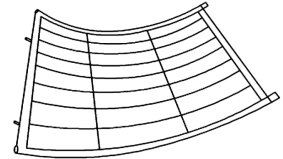
①



⑤



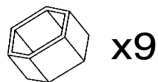
A



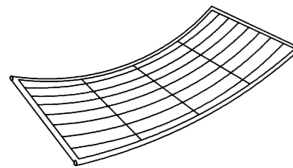
B



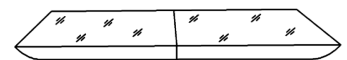
②



⑥



C



D



③



⑦



E



④



- Read instructions, cover to cover-



- Have 2 adults on hand for assembly-



- Do not assemble on flooring or carpet-



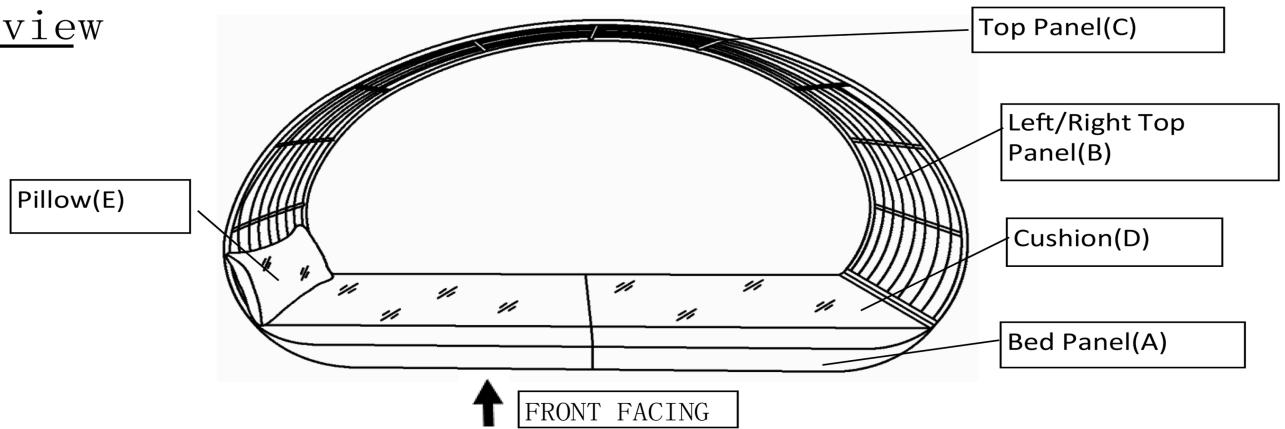
- Assemble on a clean non-marring surface (packing foam)-



- Save all packaging until finished-

Assembly Steps

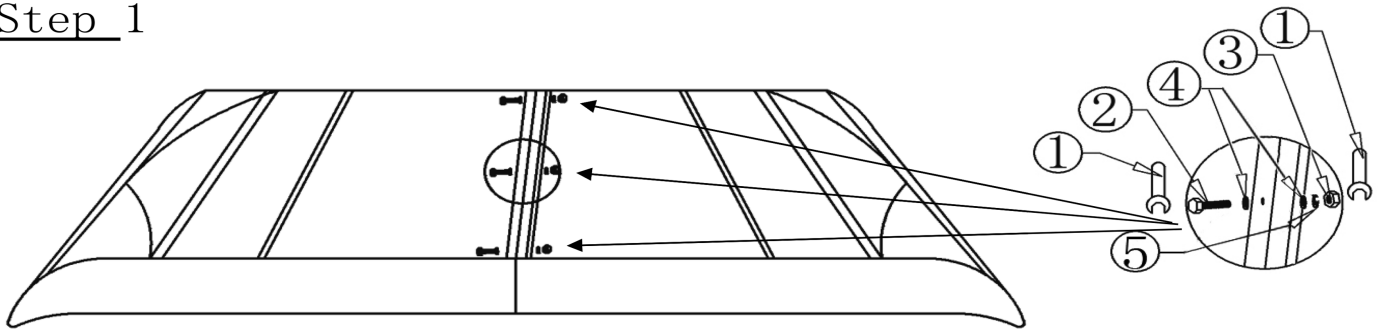
Overview



This Daybed has multiple parts and may require up to 30 minutes to assemble.

To give you an overview of the Daybed parts, the above picture is to help you put the various parts into perspective. Please read through the instructions below to familiarise yourself with the parts and steps before assembly.

Step 1



Open the carton and place all the parts onto a clean, non-marring surface.

Turn Bed Panels(A) facedown on the ground.

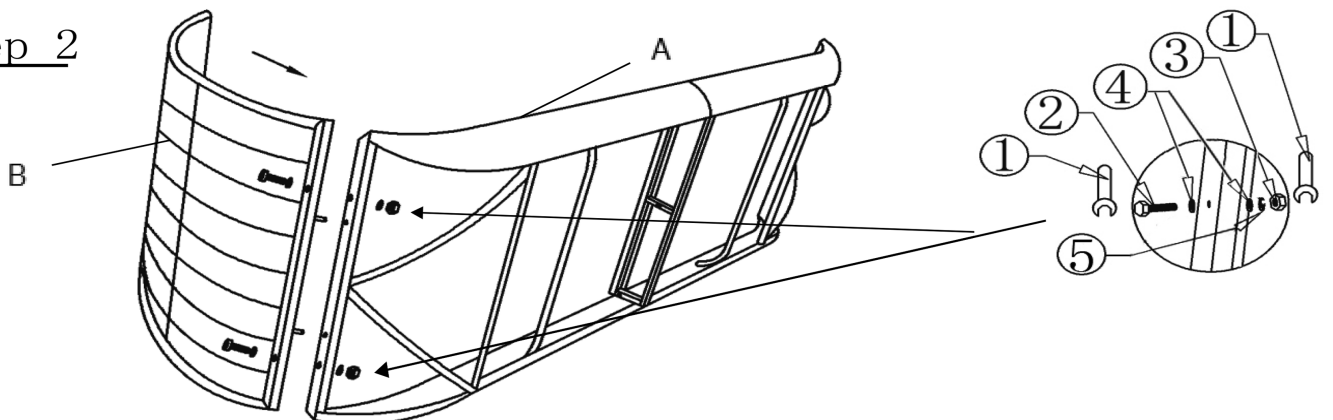
Align the mounting positions of the Bed Panels(A) as shown in picture above.

Attach the Bed Panels(A) together using Bolts(2) and Washers(4) on one side and Washer(4), Spring Washer(5) and Nuts(3) on the other side and tighten with Wrenches(1) as pictured above.

Do not fully tighten the Bolts,

Should have at least 2 people to assemble this product together .

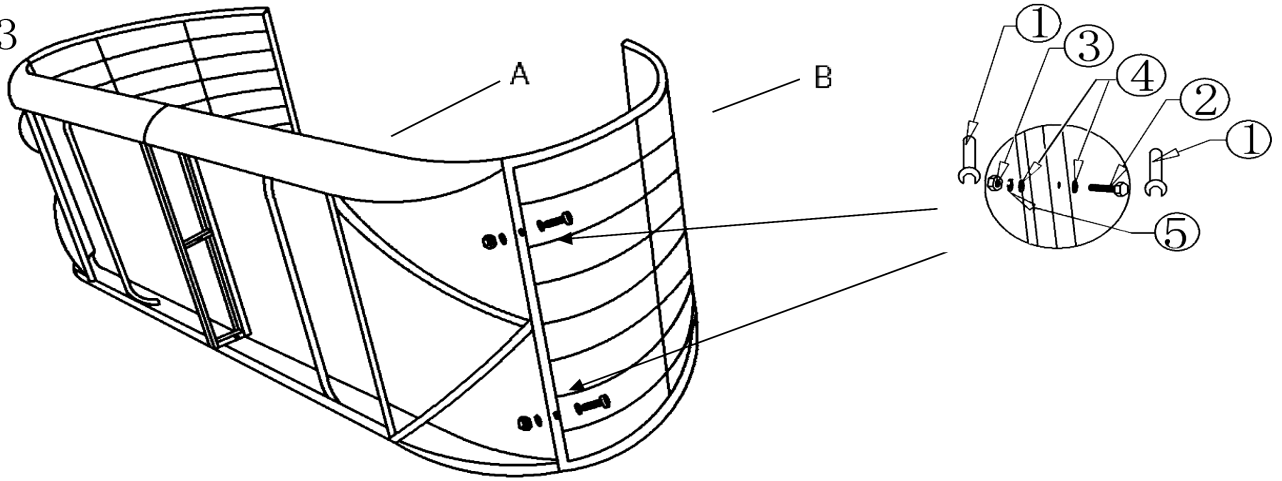
Step 2



Attach Bed Panel(A) to Left/Right Top Panel(B) using Bolts(2) and Washers(4) on one side and Washer(4) and Spring Washer (5) Nuts(3) on the other side and tighten with Wrenches(1) as pictured above.

Do not fully tighten the Bolts.

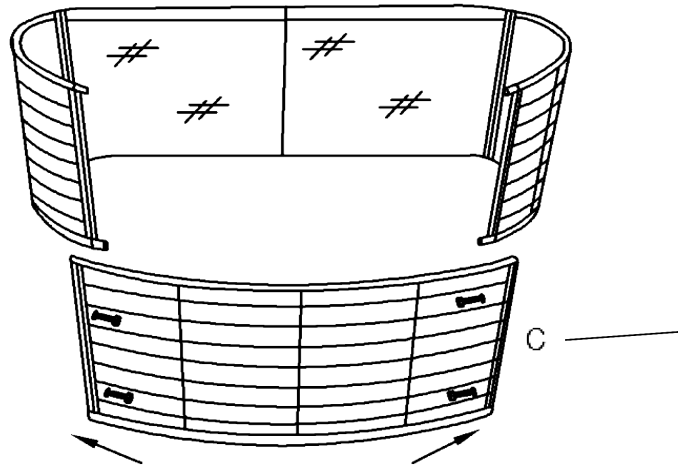
Step 3



Attach Bed Panel(A) to Left/Right Top Panel(B) using Bolts(2) and Washers(4) on one side and Washer(4) and Spring Washer (5) Nuts(3) on the other side and tighten with Wrenches(1) as pictured above.

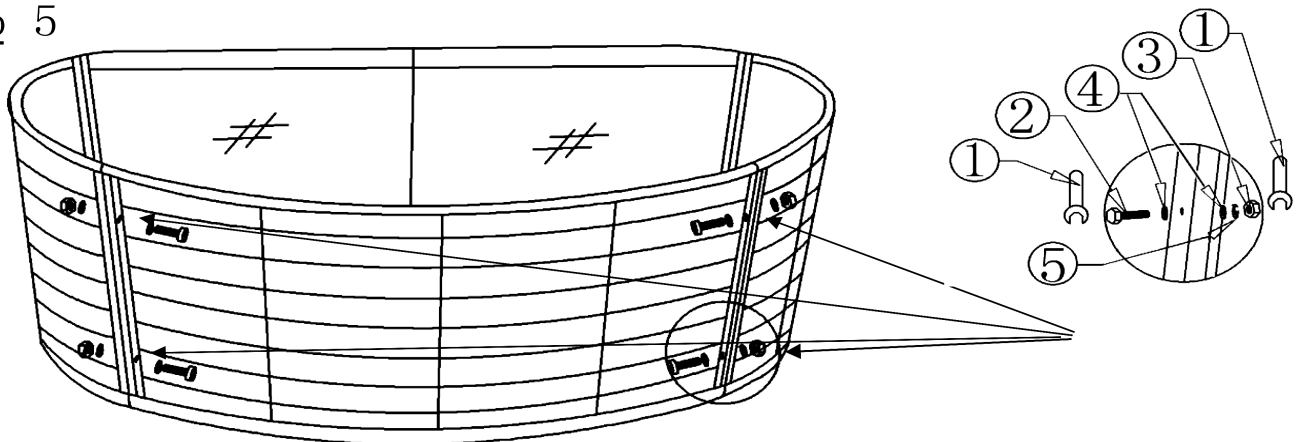
Do not fully tighten the Bolts.

Step 4



Align Top Panel(C) to Left/Right Top Panels(B) as the shown above.

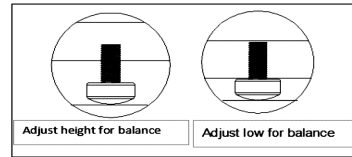
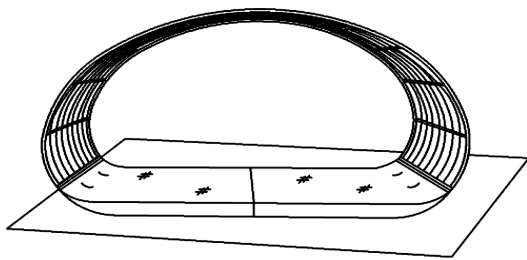
Step 5



Attach Top Panel(C) to Left/Right Top Panel(B) using Bolts(2) and Washers(4) on one side and Washer(4) and Spring Washer (5) Nuts(3) on the other side and tighten with Wrenches(1) as pictured above.

Do not fully tighten the Bolts.

Step 6



Place the Daybed on a **LEVEL SURFACE** to check for wobbles.
Adjust the Leveler to ensure Daybed stability.

When the Bed is level, proceed to tighten all Bolts at all joints.

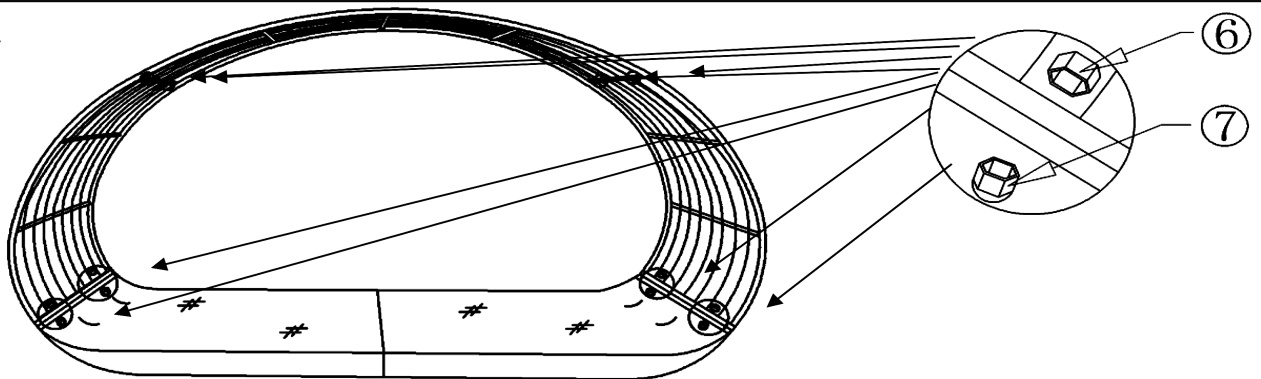
When tightening the Bolts, tighten sequentially.

DO NOT tighten any Bolt fully and then move on to the next one.

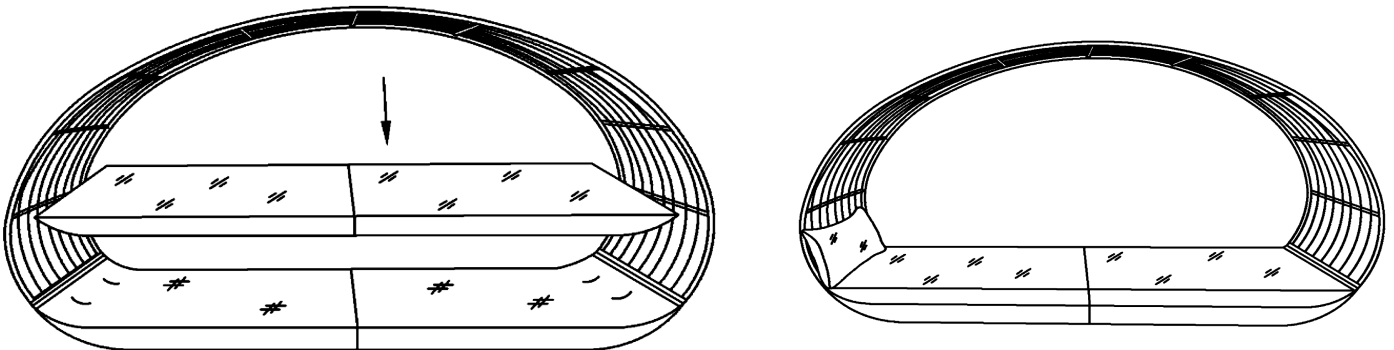
This would cause the frame to warp.

If the Daybed is not stable it could lead to damage to the product.

Step 7














Use the Bolt Caps(⑤) and Nut Caps(⑥) to cover the Bolts and Nuts as pictured.



Put Cushion(D) and Pillow(E) on the Daybed.
Your Daybed is ready for use.

This Daybed can only be used on a flat, level surface.

Care & Maintenance

- ⊘  ● Prolonged exposure to rain may cause rusting which can stain floors.
 - ⊘  ● Do not put hot items directly on furniture surface.
 - ⊘  ● Do not clean furniture with harsh cleansers or polish.
 - ✓  ● To obtain the longest lifespan of your outdoor products, minimizing exposure to direct sunlight is recommended.
 - ⊘  ● Children should not climb or jump on the furniture.
 - ⊘  ● Do not write on furniture without a padded barrier to protect the surface.
 - ✓  ● To obtain the longest lifespan of your outdoor products, avoid extended and lengthy exposure to rain, snow, and direct sunshine. Whenever possible cover the product and /or place under patio or awnings.
 - ⊘  ● Not for commercial use. For residential use only.
 - ⊘  ● Stains may be removed with mild soap solution and damp cloth.
 - ✓  ● Keep away from sources of ignition.
-
- ✓  ● Dust and pick-up spills using a clean, non-colored, lint-free cloth.