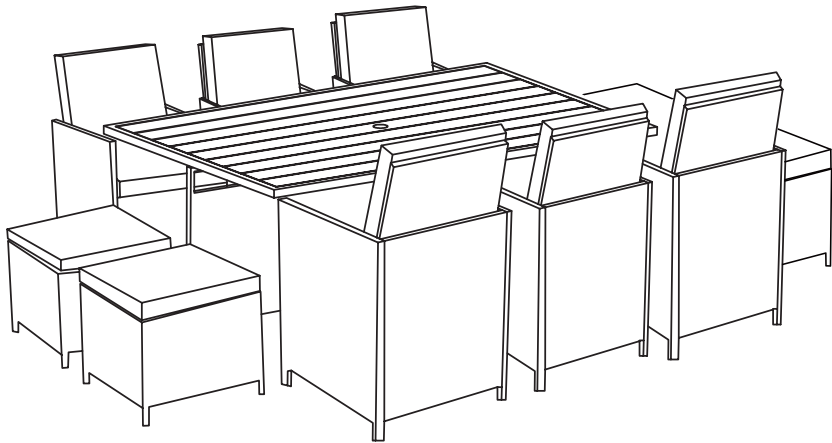


Instruction manual

10 SEAT SET



CONTENTS

Safety and care advice	1
Components	2
Assembly instructions	4

⚠ SAFETY AND CARE ADVICE ⚠

PLEASE READ THESE INSTRUCTIONS CAREFULLY AND KEEP FOR FUTURE REFERENCE

- **Warning:** Please lift with care.
- Check you have all the components and tools listed on pages 2 and 3.
- Remove all fittings from the plastic bags and separate them into their groups.
- Keep children and animals away from the work area, small parts could choke if swallowed.
- Make sure you have enough space to lay out the parts before starting.
- Do not stand or put weight on the product, this could cause damage.
- Assemble the item as close to its final position (in the same room) as possible.

- Assemble on a soft level surface to avoid damaging the unit or your floor (use opened out unit carton).



- We do not recommend the use of power drill/drivers **for inserting screws**, as this could damage the unit. Only use hand screwdrivers.
- Dispose of all packaging carefully and responsibly.

CARE AND MAINTENANCE

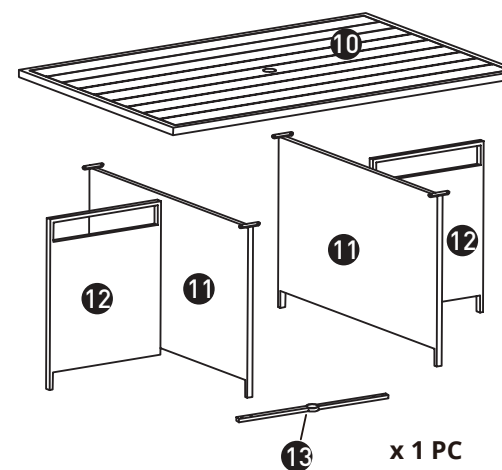
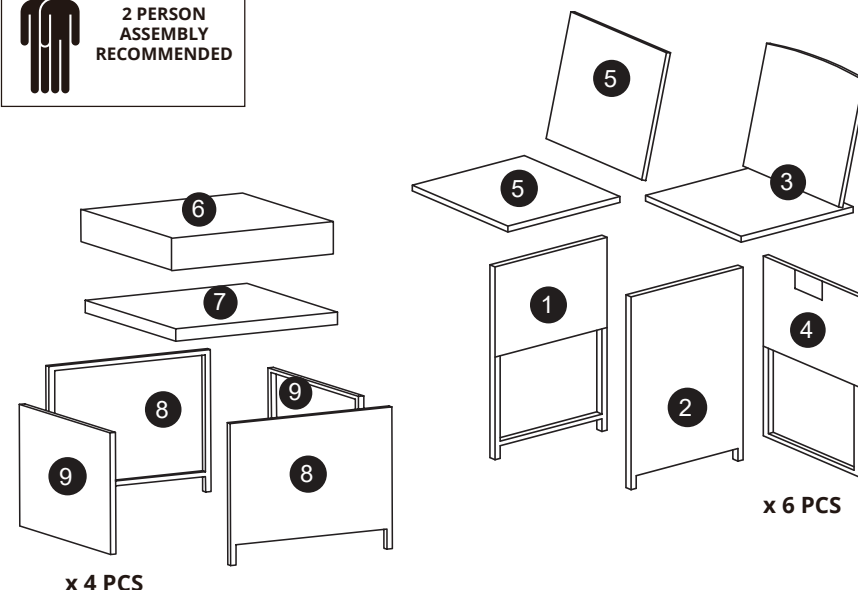
- Only clean using a damp cloth and mild detergent, do not use bleach or abrasive cleaners.
- From time to time check that there are no loose screws on this unit.

- This product should not be discarded with household waste. Take to your local authority waste disposal center.

Note If required the next page can be cut out and used as reference throughout the assembly. Keep this page with these instructions for future reference.

COMPONENTS

Ensure the following components are in the box before proceeding with assembly:



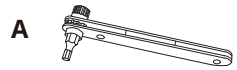
PANEL LIST

1	Chair Left Armrest	x6
2	Chair Right Armrest	x6
3	Chair Seat with Small Back	x6
4	Chair Big Back	x6
5	Chair Cushion	x12
6	Stool Cushion	x4
7	Stool Top	x4
8	Stool Leg	x8
9	Stool Side	x8
10	Table Top	x1
11	Table Big Leg	x2
12	Table Small Leg	x2
13	Table Connector	x1

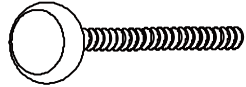


COMPONENTS

Please check you have all the panels listed below:



A Ratchet wrench x1



B Screw x1



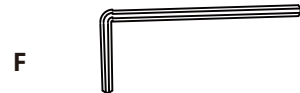
C Washer x140



D M6-35mm Screw x72



E M6-30mm Screw x56



F Allen wrench x1



G M6-20mm Screw x8



H M6-40mm Screw x4



I Cover x1

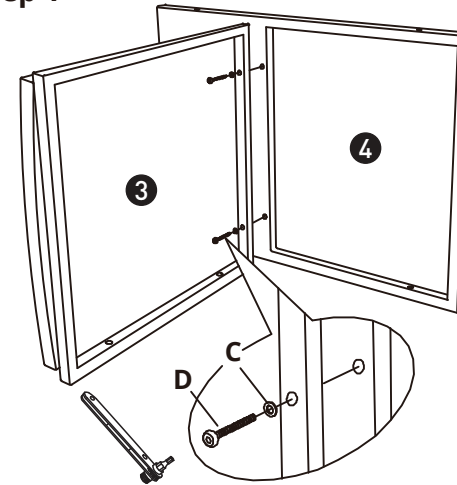


J Screw x6

ASSEMBLY INSTRUCTIONS

Please note, when building this product, screw threads should not be fully tightened until all parts are in place. Only once all parts are assembled, should they be fully tightened

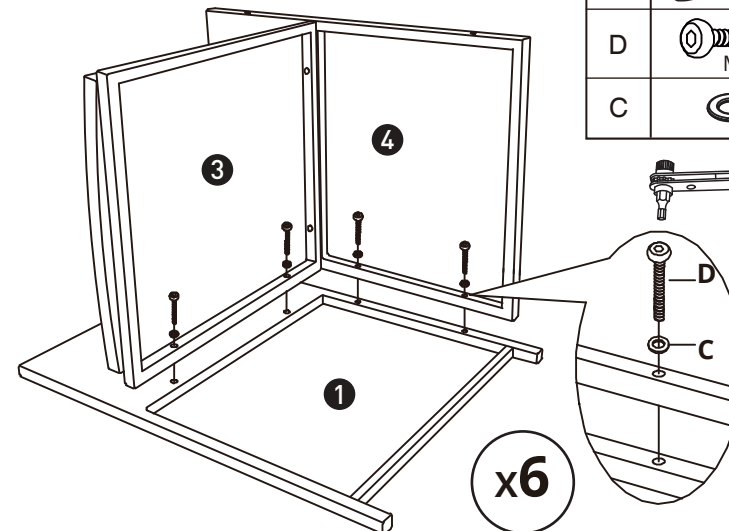
Step 1



A		1
D	M6-35mm	12
C		12

x6

Step 2



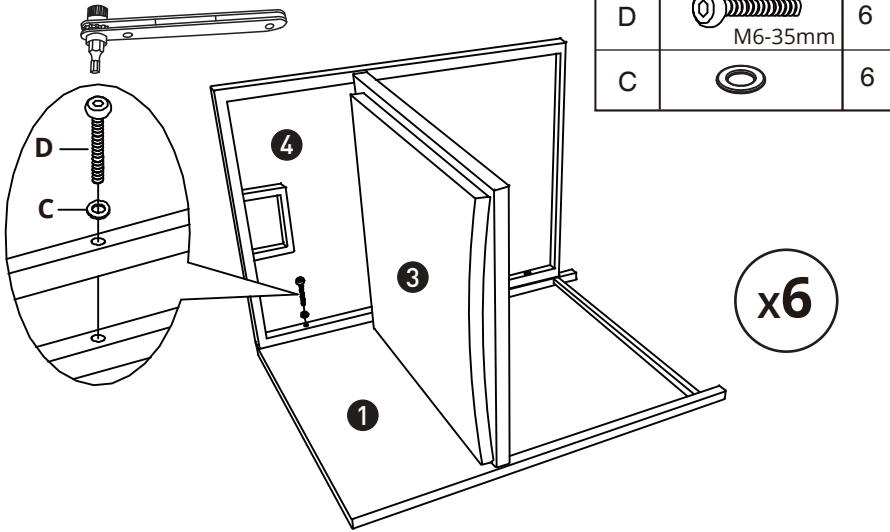
A		1
D	M6-35mm	24
C		24

x6



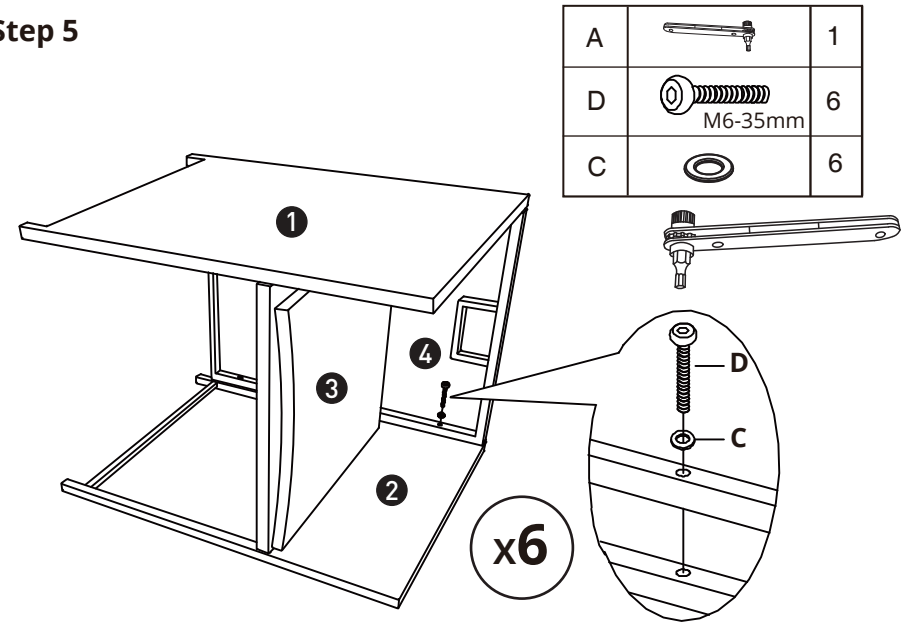
ASSEMBLY INSTRUCTIONS

Step 3

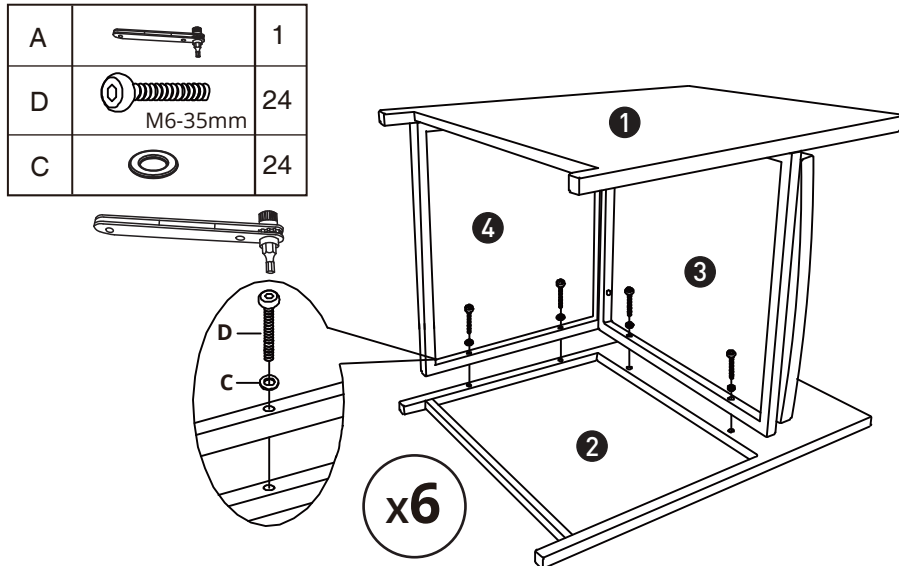


ASSEMBLY INSTRUCTIONS

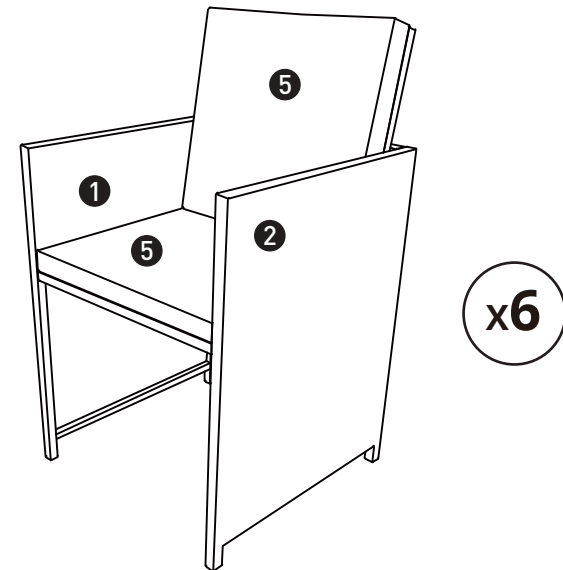
Step 5



Step 4


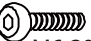



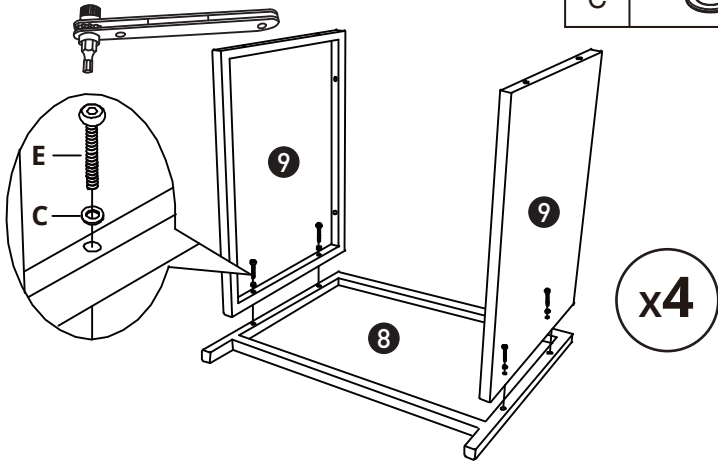
Step 6



ASSEMBLY INSTRUCTIONS




Step 7

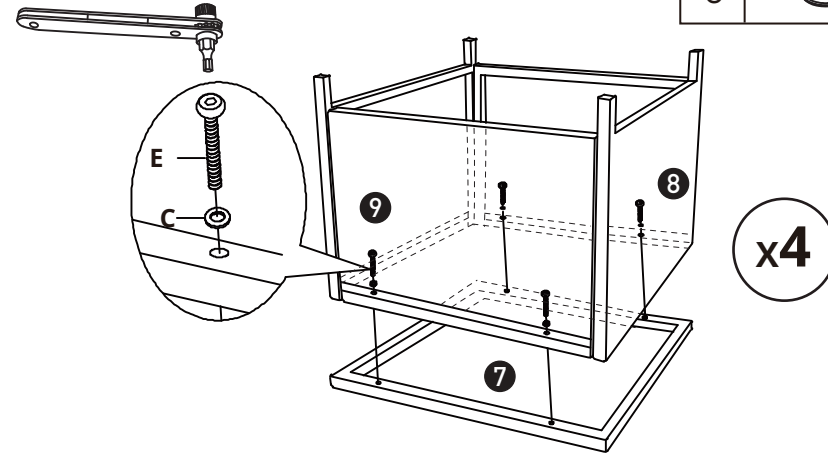
A		1
E	 M6-30mm	16
C		16






ASSEMBLY INSTRUCTIONS

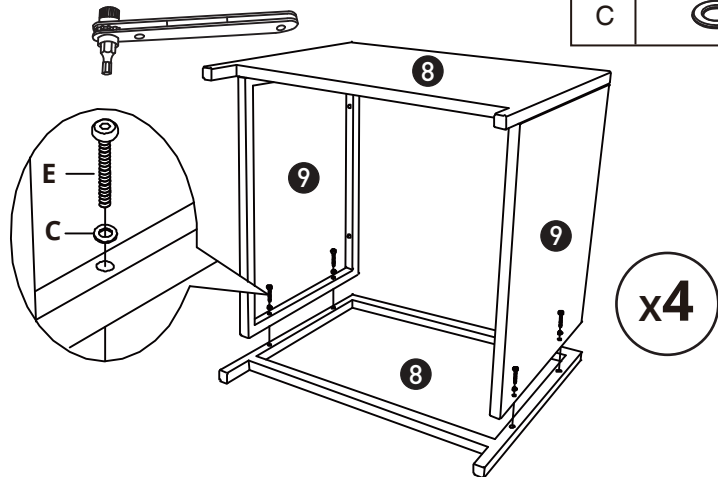
Step 9

A		1
E	 M6-30mm	16
C		16

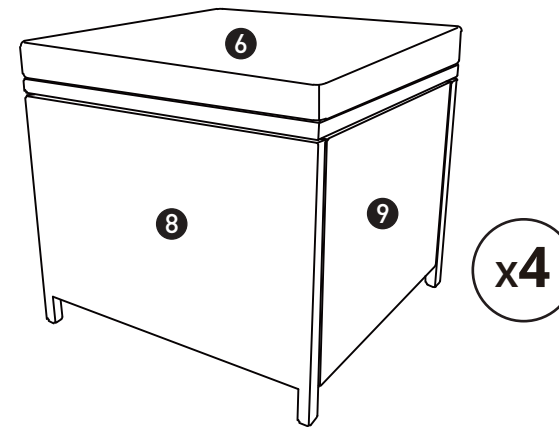


Step 8

A		1
E	 M6-30mm	16
C		16






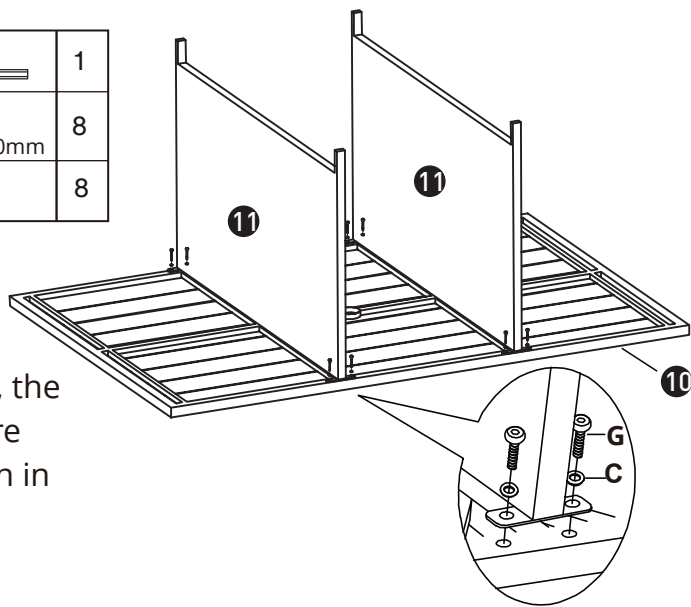
Step 10



ASSEMBLY INSTRUCTIONS




Step 11

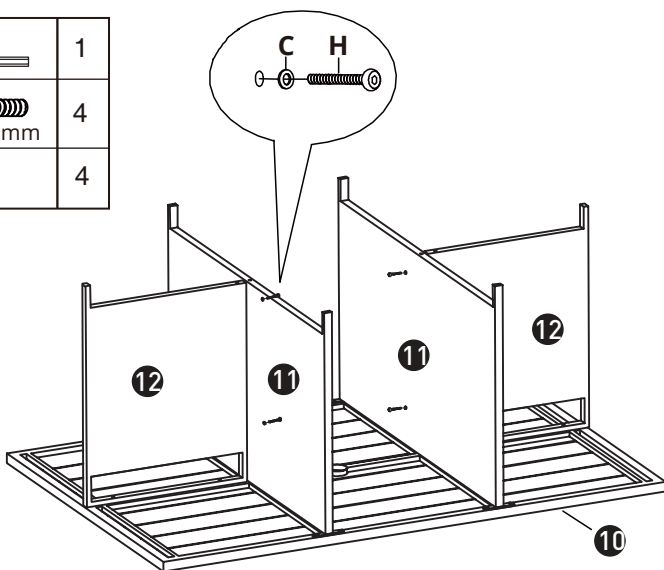
F		1
G	 M6-20mm	8
C		8



Please note, the table legs are upside down in this picture.




Step 12

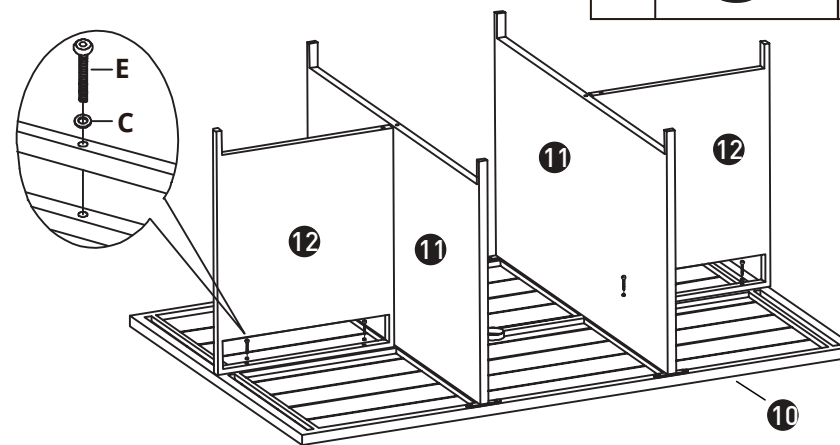
F		1
H	 M6-40mm	4
C		4







ASSEMBLY INSTRUCTIONS

Step 13

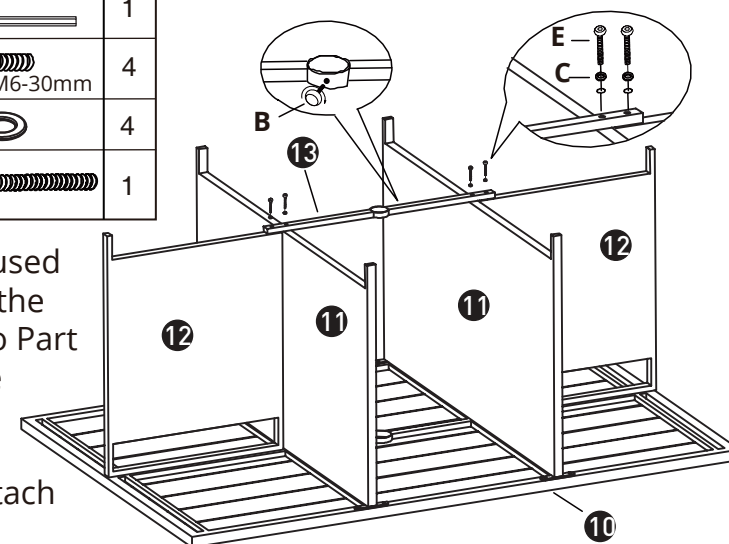
F		1
E	 M6-30mm	4
C		4



Step 14 Attach Part 13 to the bottom of the table legs.



F		1
E	 M6-30mm	4
C		4
B		1

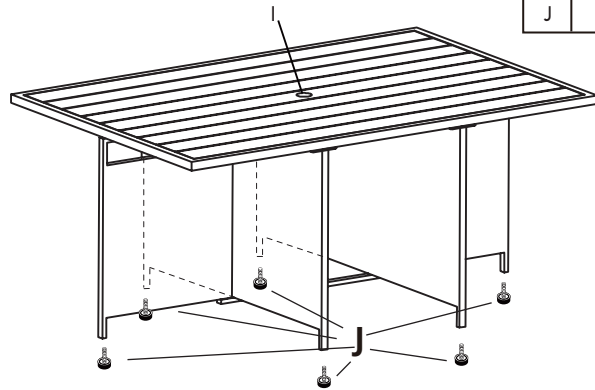
Part B is used to clamp the parasol to Part 13, so the parasol is secure. Please attach firmly.



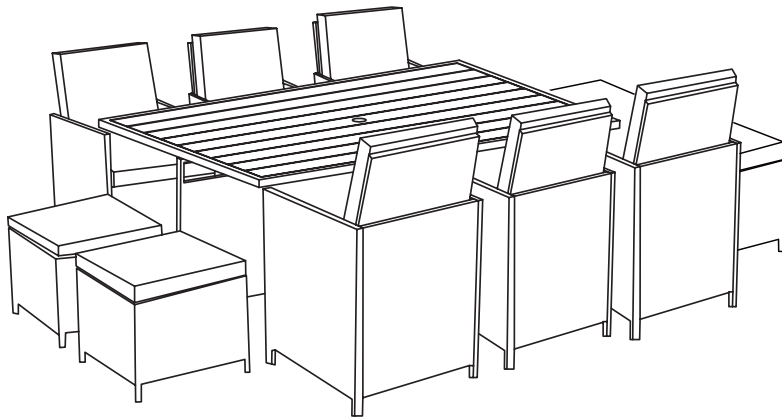
ASSEMBLY INSTRUCTIONS

Step 15

I		1
J		6



Flip the structure, so the table legs and feet are resting firmly on the ground.



Congratulations! Now you have finished assembling the product.