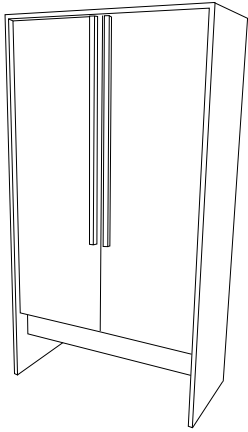
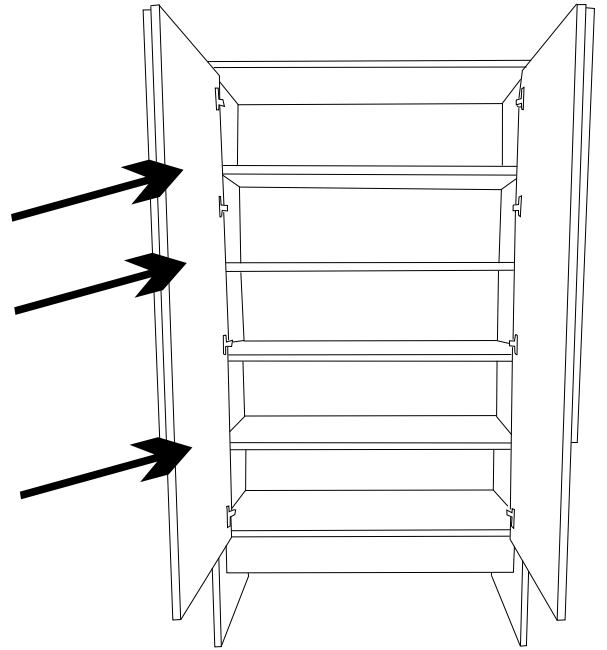


Assembly Instruction

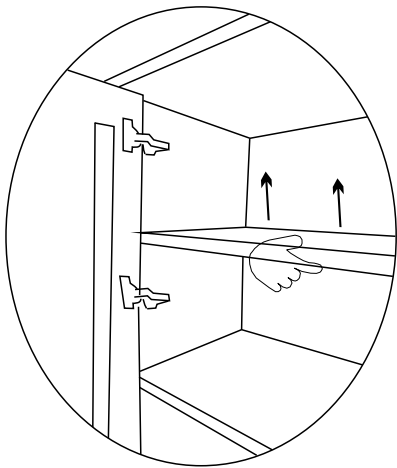
Product Description: CABINET



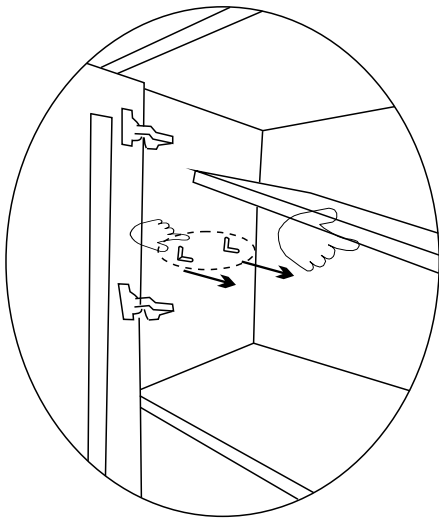
For removing Shelves please follow steps



1



2



3

