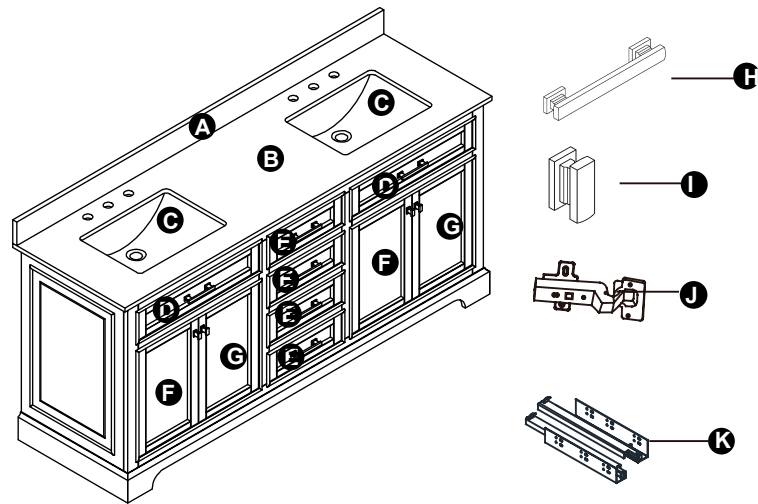


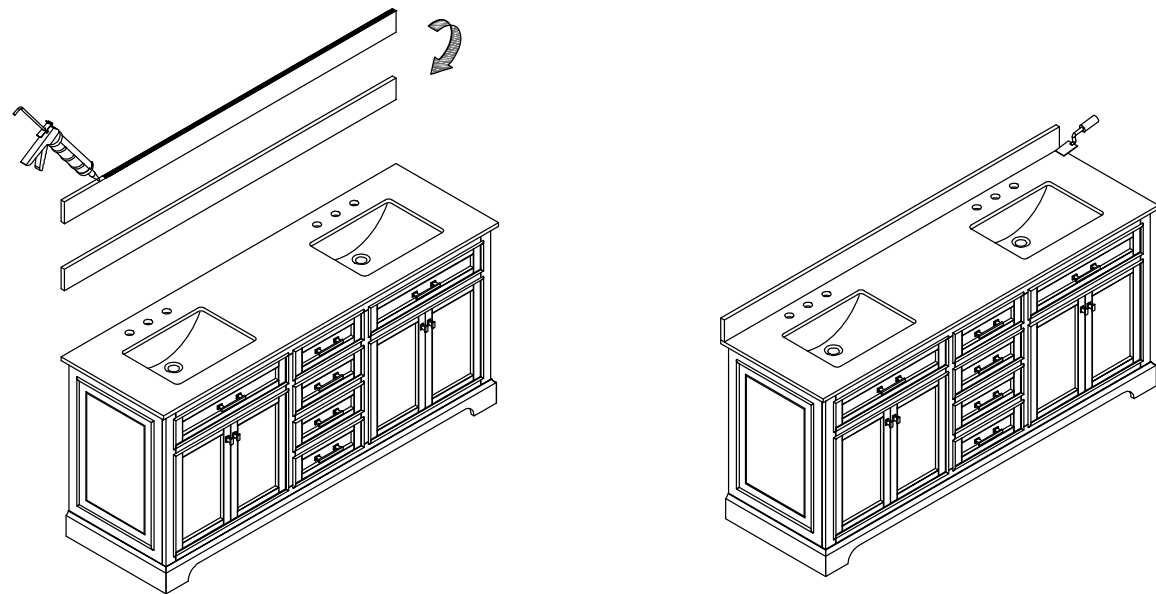
PART LIST



PART #	DESCRIPTION
A	Backsplash
B	Countertop
C	Basin
D	Flip down panel
E	Drawer
F	Door (left)
G	Door (right)
H	Drawer Handle
I	Door Handle
J	Hinge
K	Drawer glides

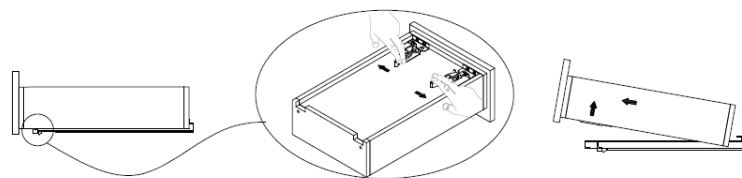
ATTACHING BACKSPLASH

Following tools are required (not supplied)



REMOVING / INSTALLING DRAWER

REMOVE



INSTALL



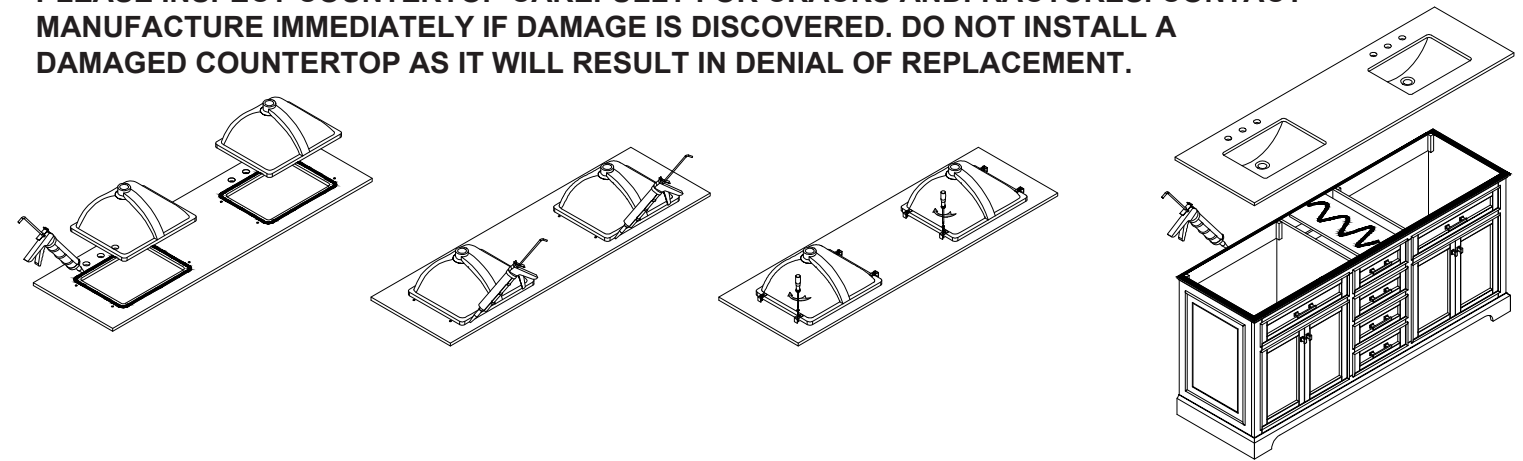
INSTRUCTION FOR ATTACHING COUNTERTOP

The countertop is affixed to the cabinet by using glue. Please follow the instruction below to attach the countertop to the cabinet.

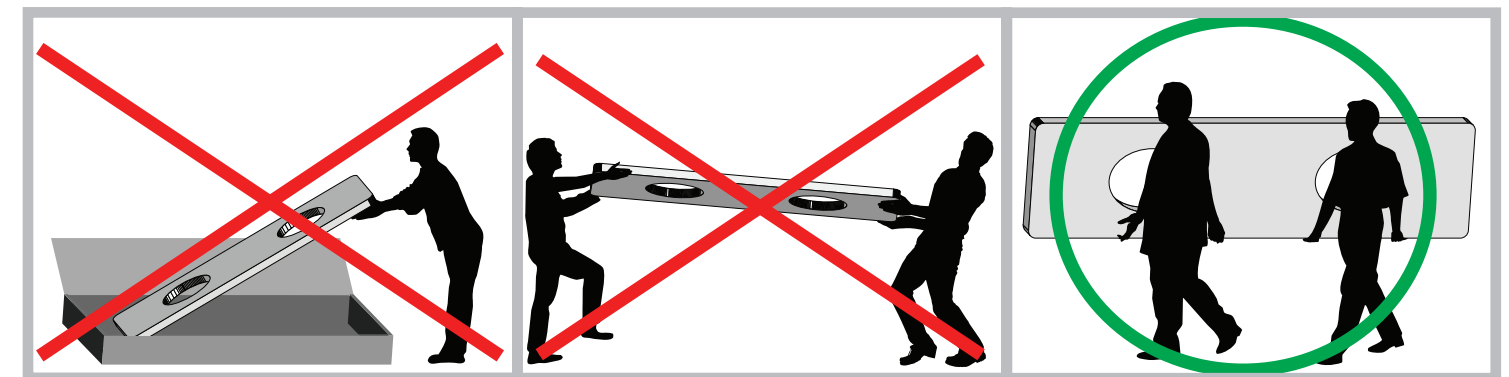
The countertop is **VERY HEAVY** and **FRAGILE**, be sure to have one or more helper to move the countertop. Before getting started, please prepare for the following:

1. Place countertop backward, align the sink to the pre-drawn mark.
2. Apply epoxy between the countertop and sink.
3. Fasten the sink clip over the sink lip. **DO NOT OVER TIGHTEN** to avoid cracking the countertop.
4. Apply additional epoxy around the edge.
5. Allow sufficient time for it to dry. For actual wait time, refer to epoxy instruction

PLEASE INSPECT COUNTERTOP CAREFULLY FOR CRACKS AND FRACTURES. CONTACT MANUFACTURE IMMEDIATELY IF DAMAGE IS DISCOVERED. DO NOT INSTALL A DAMAGED COUNTERTOP AS IT WILL RESULT IN DENIAL OF REPLACEMENT.



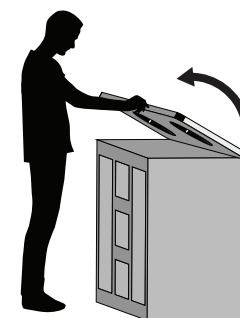
IMPORTANT INSTRUCTION FOR HANDLING COUNTERTOP



Never lift the countertop flat

Never carry the countertop flat

Lift the top with long edge facing-up



Lower the countertop so that it lays flat on the cabinet, while supporting it from the side and front. Be careful not to catch your fingers under the countertop. It is best to lower the countertop by supporting from the front as it comes down onto the cabinet.

Reattach the countertop using the wood connectors. (See the instruction above)

