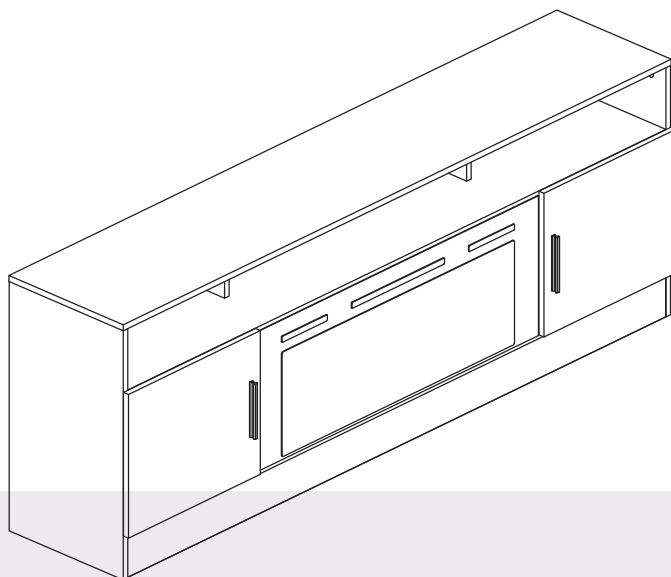


MANUAL INSTRUCTION

Fireplace TV cabinet

BDGS16-70WC &
BDGS16-70WB



Indoor Furniture

We are a professional furniture provider with top-notch factories and outstanding designs, Our mission is to provide consumers with new lifestyles. By collecting consumer feedback, we constantly improve our products and create more choices for consumers. If you want to create your space, We are an ideal choice.

Always.



WARNING

- Do not allow children to climb on unit
- Serious or fatal crushing injuries can occur from furniture tip-over, To prevent this furniture from tipping over it must be permanently fixed to the wall.
- Fixing devices for the wall are not included since different wall materials require different types of fixing devices. Use fixing devices suitable for the walls in your home. For advice on suitable fixing systems, contact your local specialized dealer
- This unit contains small parts which can be swallowed by children and pets. Keep children and pets away during assembly. To avoid danger of suffocation, always keep plastic bags away from children and pets.

NOTICE

1. Children are not allowed to operate.
2. Faster installation is possible with power tools.
3. Do not pull the door vigorously to prevent the storage cabinet from tipping over.
4. Please attach the storage cabinet to the wall with an anti-tip device after installation is complete.
5. When using the storage cabinet for the first time, please keep it in a ventilated environment to allow the smell to fully evaporate.
6. When placing the partitions, please make sure the nails are firmly installed to prevent the partitions from falling off.
7. If any parts are missing, broken, damaged or worn, discontinue use of the product until repairs are made and/or factory replacement parts are installed.
8. Do not use this product in a manner inconsistent with the manufacturer's instructions, as this may void the product warranty.
9. If accessories are missing, please contact customer service for communication in time, we provide 7x24 hours customer care.
10. Do not use any attachments or accessories other than the original factory attachments and accessories.
11. Do not alter this equipment. Any alteration will create a safety hazard.

WARNING

The product must be assembled by adult before use. Serious or fatal injury may occur from unexpected assembly or use.

1. During the assembly process, keep all parts away from babies or children.
2. Always securely fix this product to the wall. Make sure the wall area to be drilled is free from hidden electrical wires, water and gas pipes.
3. Use of tip-over restraints may only reduce, but not eliminate the risk of tip-over.
4. Unless specially designed to accommodate, do not set heavy objects on top of this product.
5. Place the heaviest items on the lowest shelf.
6. Never allow children to climb or bang on drawers, doors or shelves.

TOOLS REQUIRED



PHILLIPS
SCREWDRIVER

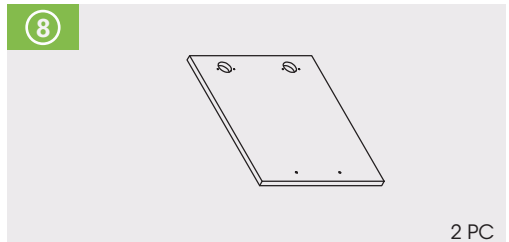
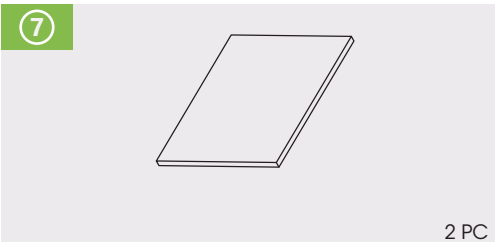
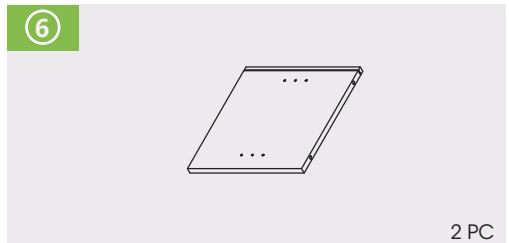
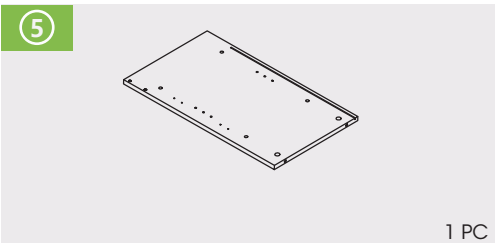
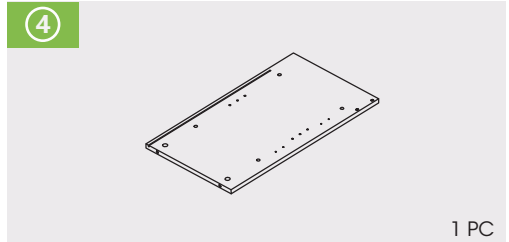
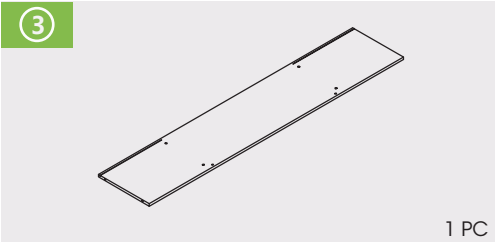
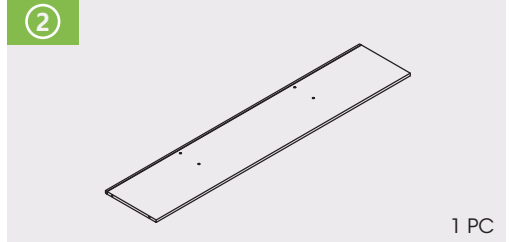
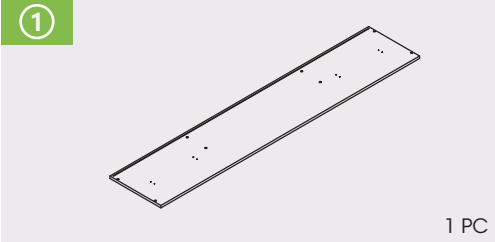


2Persons Assembly



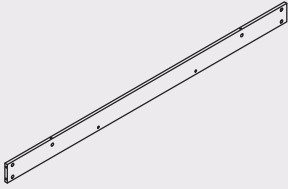
Minimum 60 Minutes For Assembly

PARTS



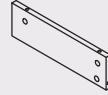
PARTS

9



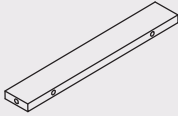
1 PC

10



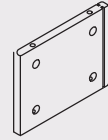
2 PC

11



2 PC

12



2 PC

13



2 PC

14



1 PC

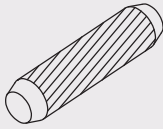
15



2 PC

HARDWARE

A



φ 8x30mm

8 PCS

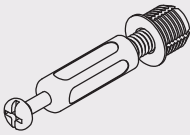
B



φ 15x12mm

40+2 PCS

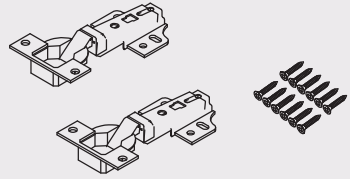
C



φ 6x43mm

40+2 PCS

D



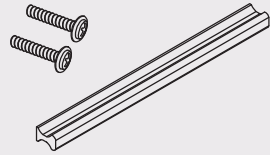
2 PCS

E



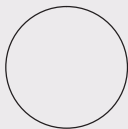
8+1 PCS

F



2 PCS

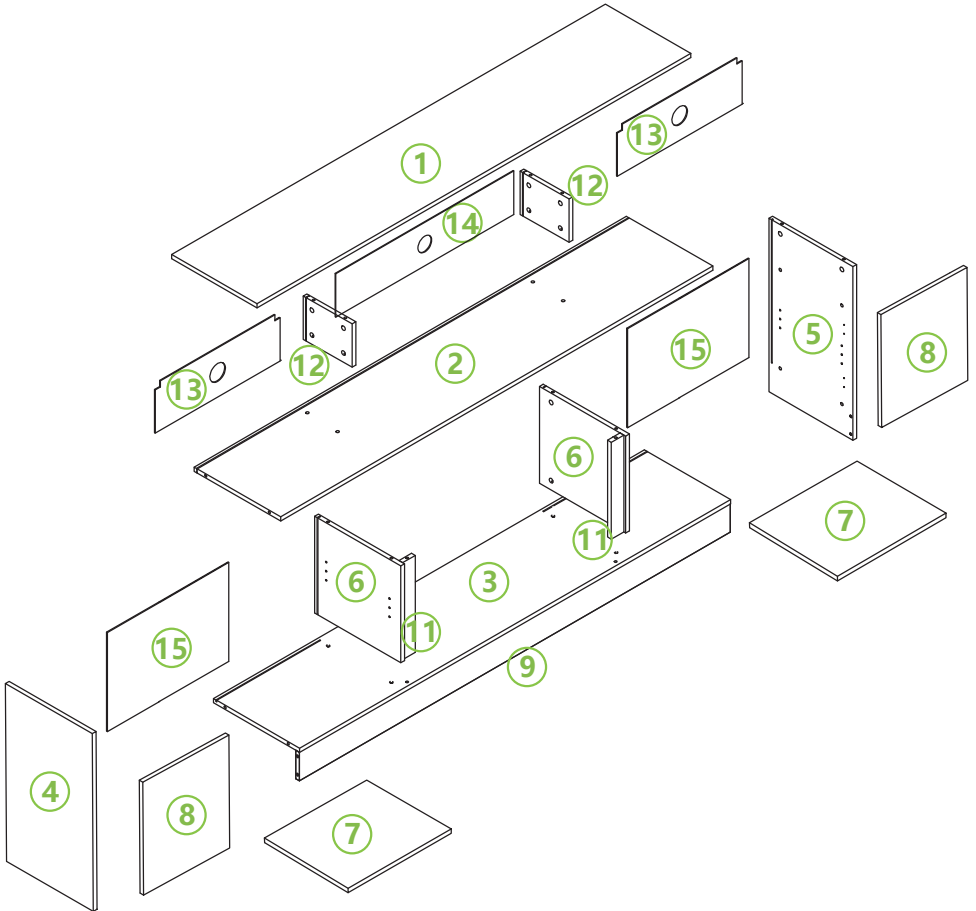
G



φ 20mm

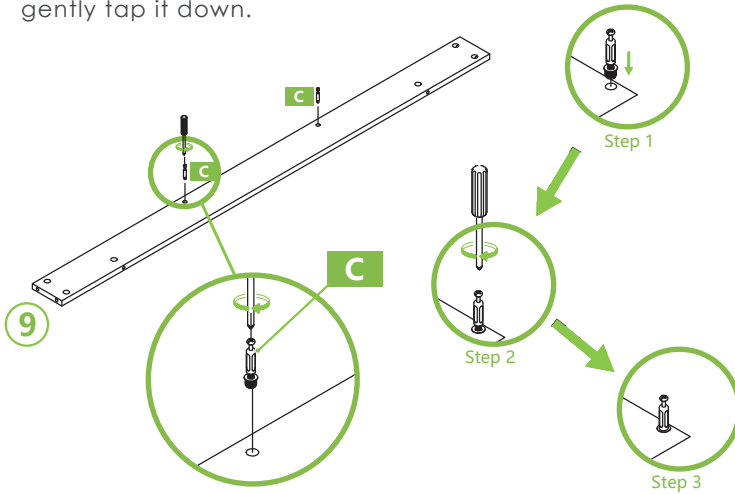
12 PCS

BOARD IDENTIFICATION



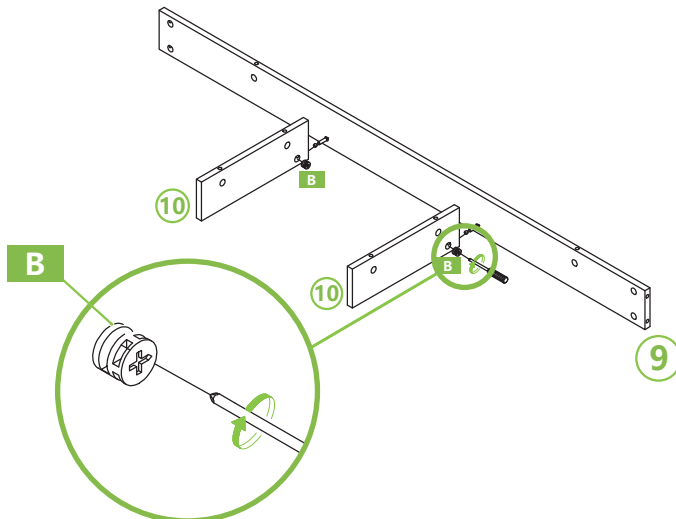
PRODUCT ASSEMBLY


- 1** First press C down into the hole until the thread of the white plastic part is completely submerged in the hole, and then tighten the screw clockwise. Note: If the white plastic cannot be pressed in, you can use a tool to gently tap it down.



PART	NO.	QTY.
	C	2

- 2** Connect the 2 (10) and (9) with 2 B respectively, and turn the screws clockwise.

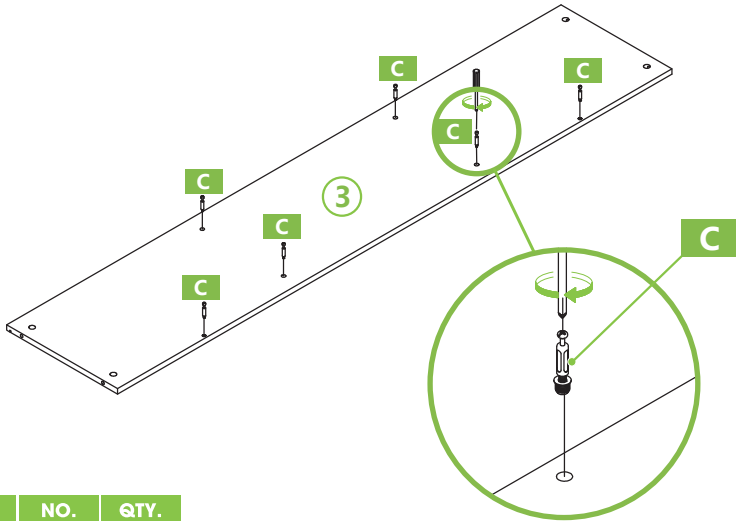


PART	NO.	QTY.
	B	2

PRODUCT ASSEMBLY

3

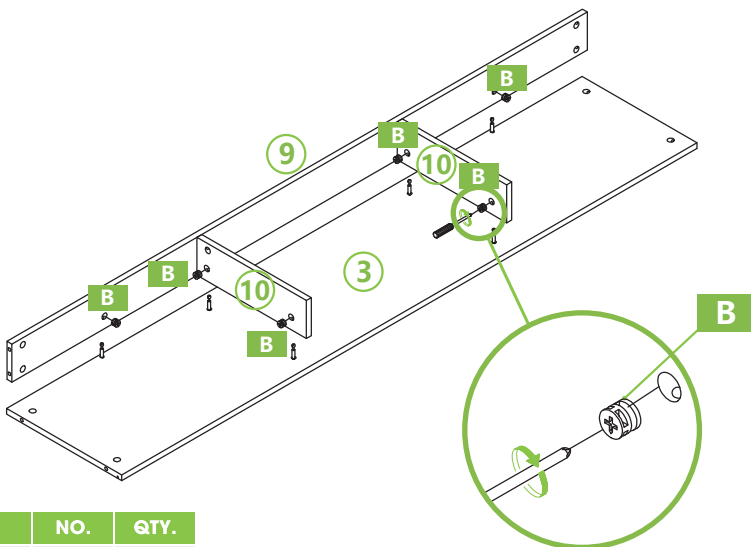
Install the 6 C on the corresponding holes in (3) (the side without grooves).




PART	NO.	QTY.
	C	6

4

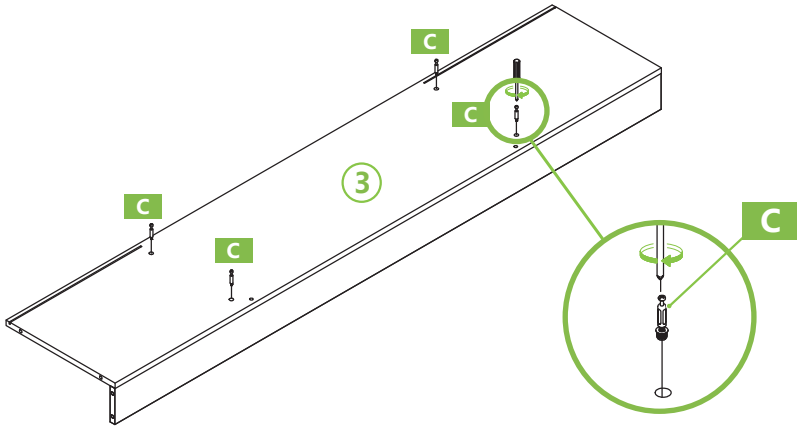
Connect (9) and (3) with 2 B, connect 2 (10) and (3) with 4 B respectively, and turn the screws clockwise.



PART	NO.	QTY.
	B	6

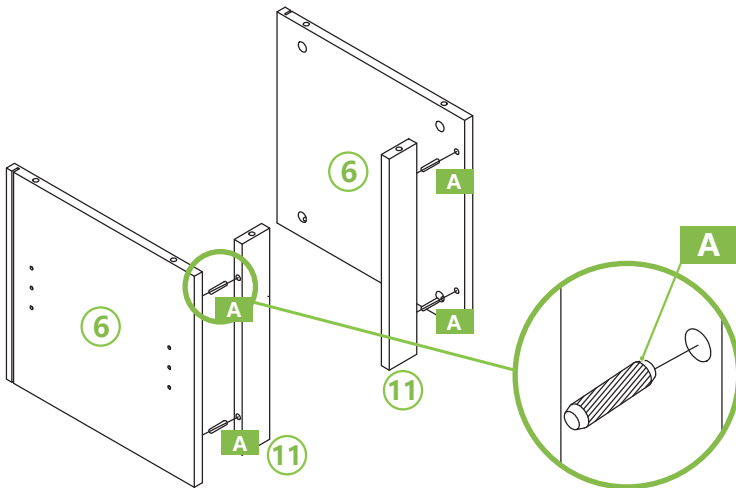
PRODUCT ASSEMBLY


- 5** Turn over the parts assembled in step 4, and then install the 4 C on the corresponding holes in (3).



PART	NO.	QTY.
	C	4

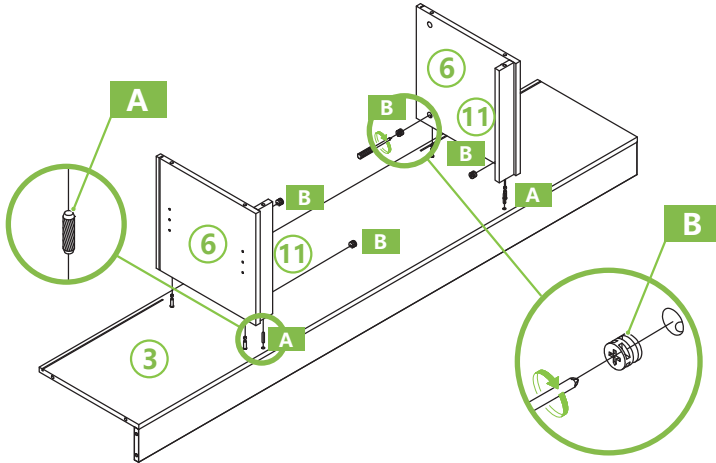
- 6** Connect (6) and (11) with 2A, and Install the other (6) and (11) in the same way.




PART	NO.	QTY.
	A	4

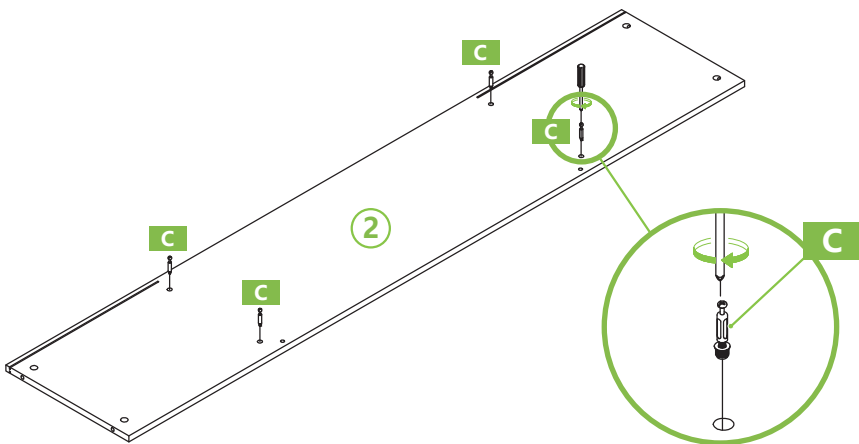
PRODUCT ASSEMBLY


7 Connect (6) and (3) with 2B, and connect (11) and (3) with 1 A. Install the other (6) and (11) in the same way.



PART	NO.	QTY.
	A	2
	B	4

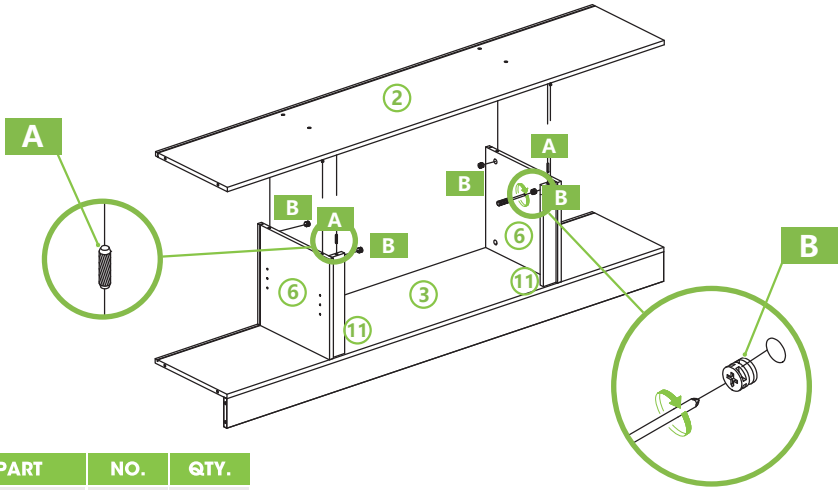
8 Install the 4 C on the corresponding holes in (2).



PART	NO.	QTY.
	C	4

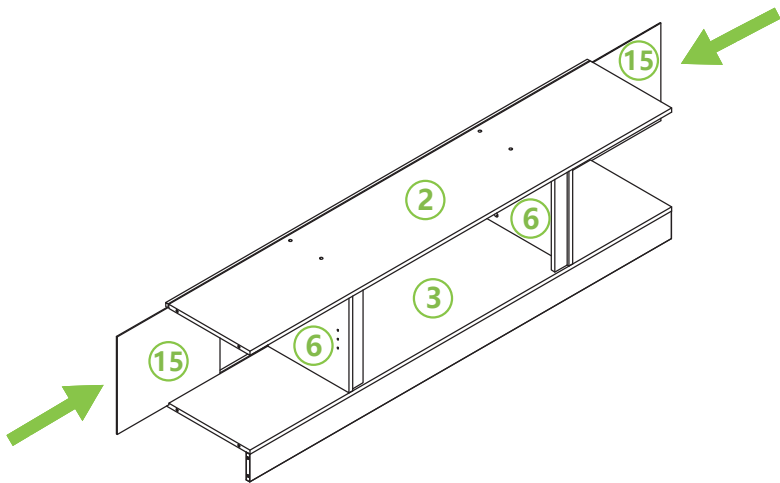
PRODUCT ASSEMBLY

9 Connect (11) and (2) with 2 A and connect (6) and (2) with 4 B



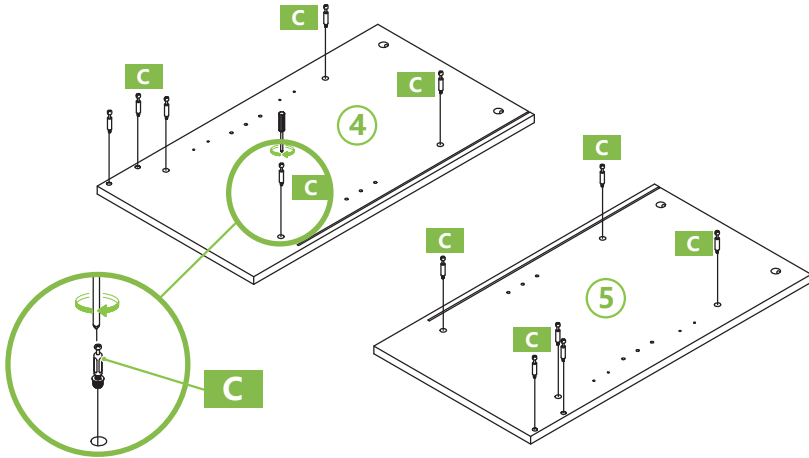
PART	NO.	QTY.
	A	2
	B	4

10 Push (15) into the bottom along the slots of (2) and (3), they need to be snapped into the slot of (6).



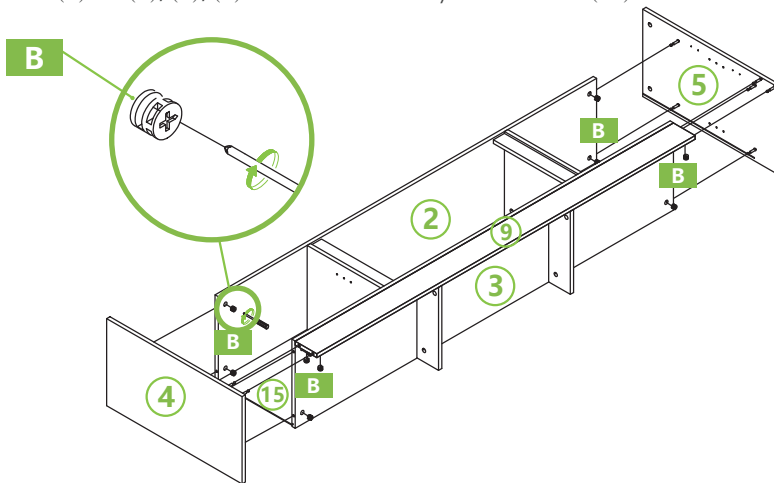
PRODUCT ASSEMBLY


11 Install the 12 C on the corresponding holes in (4) and (5).



PART	NO.	QTY.
	C	12

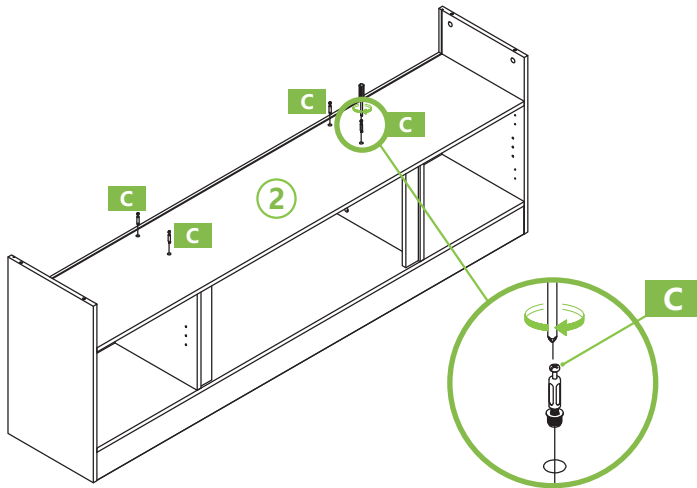
12 (4) is connected to the corresponding holes of (2)/(3)/(9). Note that (15) is snapped into the slot of (4), 2 B locks the screws of (2), 2 B locks the screws of (3), and 2 B locks the screws of (9). Turn the screw clockwise and connect (5) to (2)/(3)/(9) in the same way. Note that (15) needs to be snapped into (5)



PART	NO.	QTY.
	B	12

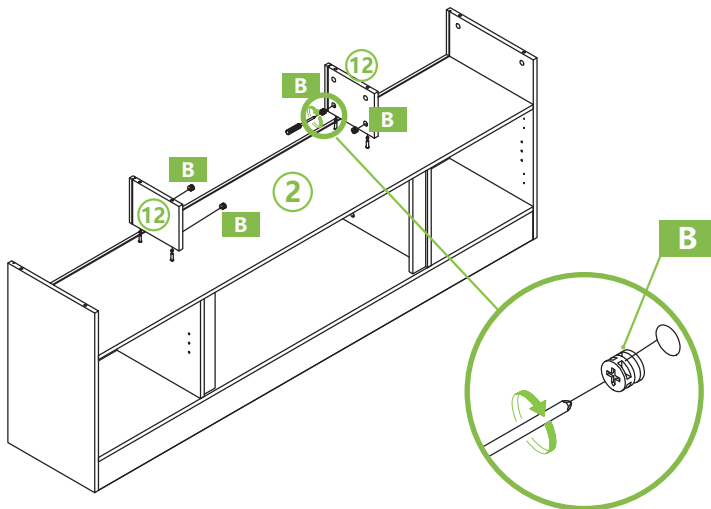
PRODUCT ASSEMBLY


13 Install the 4 C on the corresponding holes in (2).



PART	NO.	QTY.
	C	4

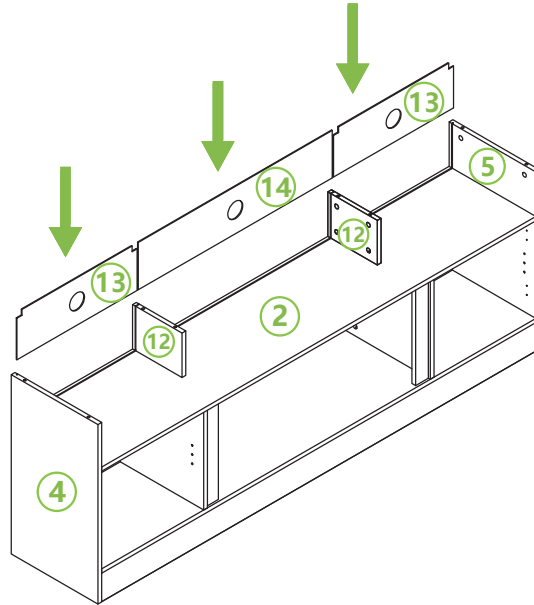
14 Connect (12) and (2) with 4 B's



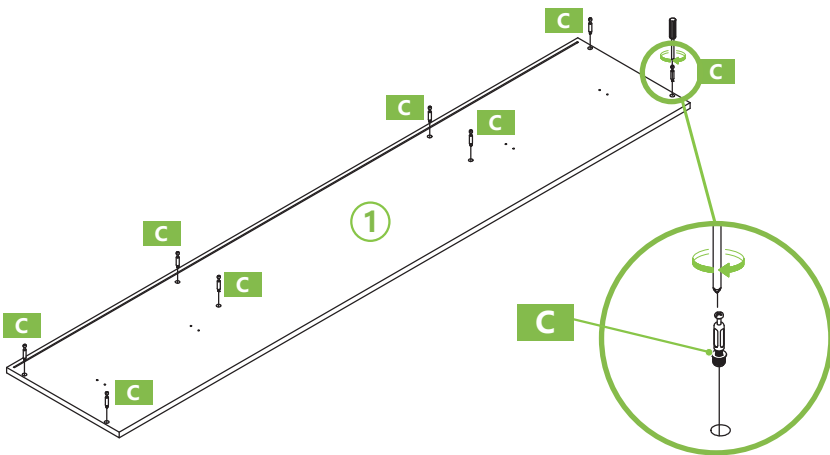
PART	NO.	QTY.
	B	4

PRODUCT ASSEMBLY

15 Push (13) and (14) into the bottom along the slots of (4), (5) and (12). Note they need to be stuck into the slot of (2).



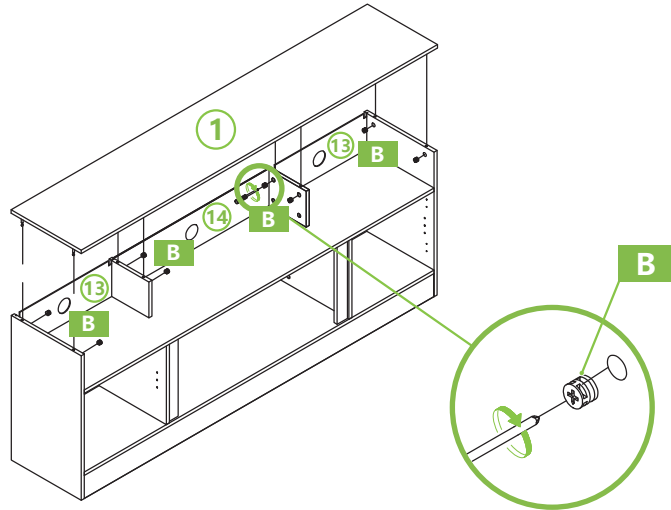
16 Install these 8 C on the corresponding holes in (1).



PART	NO.	QTY.
	C	8

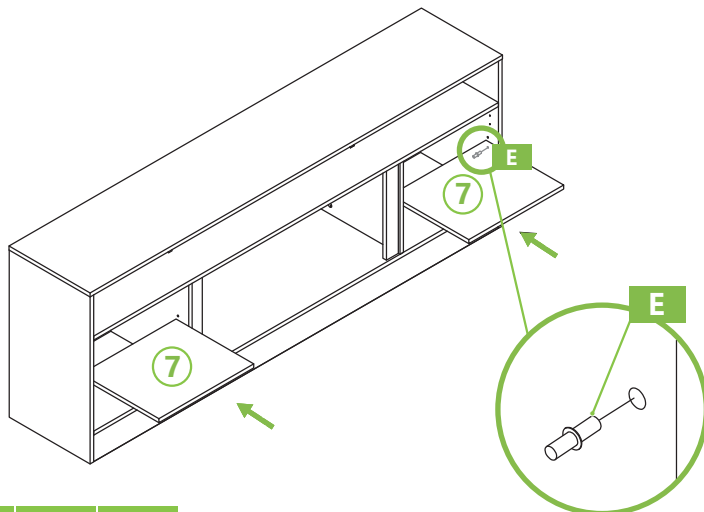
PRODUCT ASSEMBLY

17 Note that (13) and (14) need to be stuck into the slot of (1)



PART	NO.	QTY.
	B	8

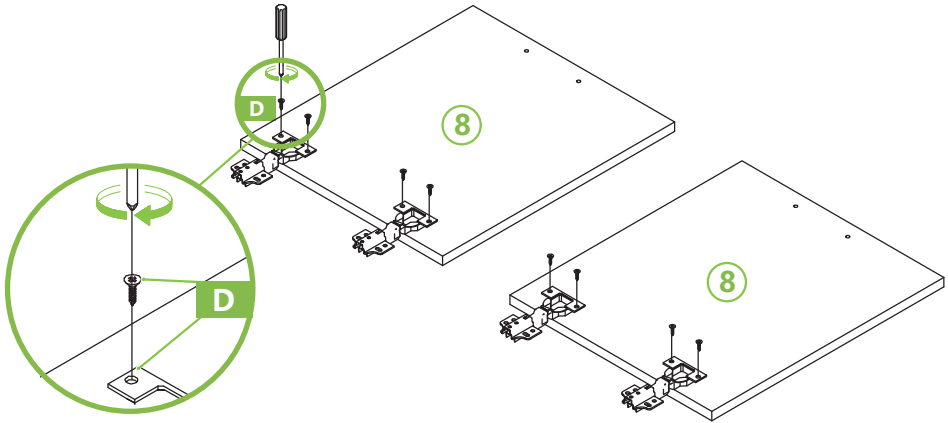
18 Insert 8 E's into the corresponding holes for (4) and (5), and put (7) in.



PART	NO.	QTY.
	E	8

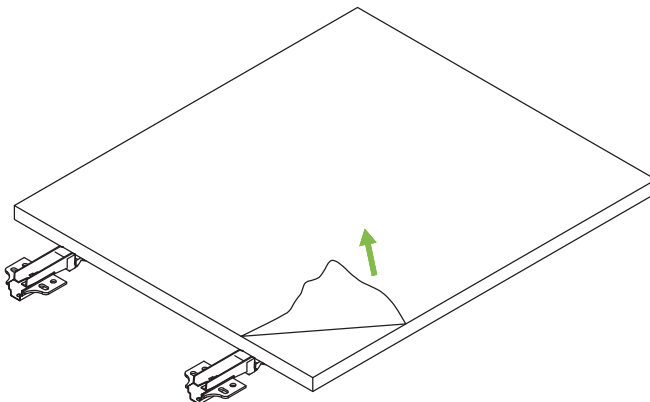
PRODUCT ASSEMBLY

- 19** First install a pair of D on (8), then install the other door panel in the same way.



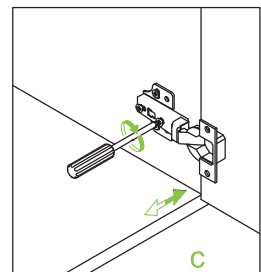
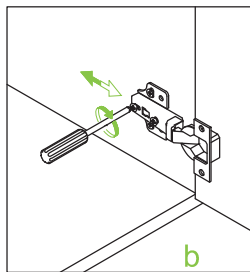
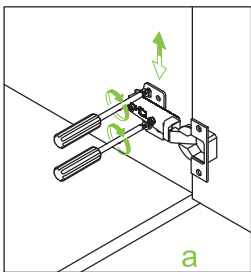
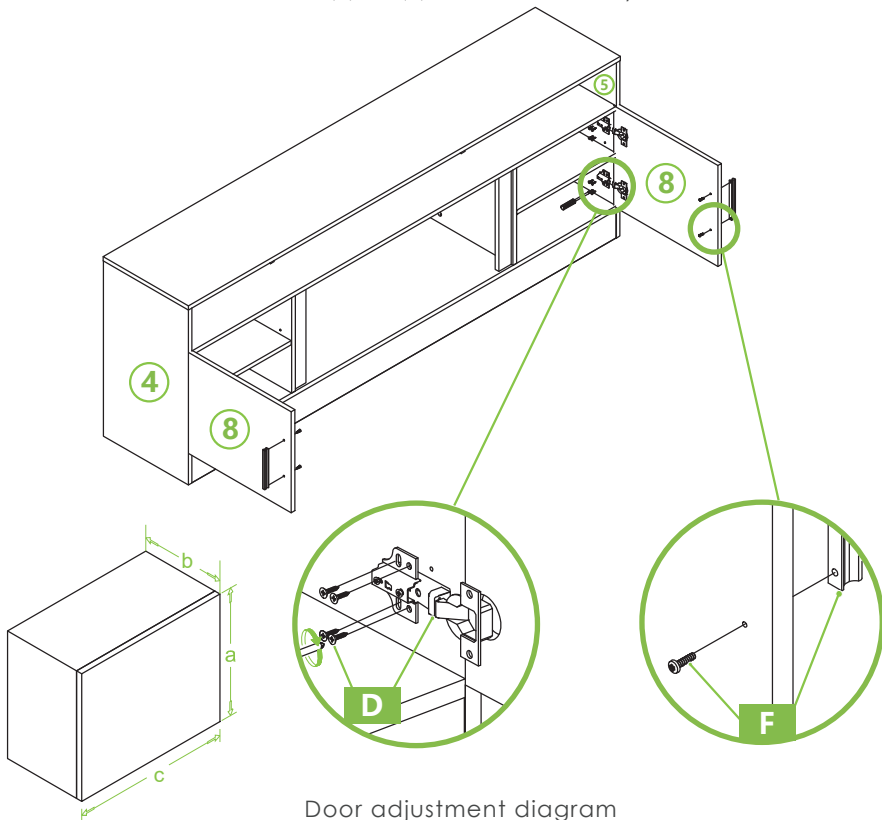
PART	NO.	QTY.
	D	2

- 20** After installing D, peel off the film on the front of the door panel. If there are any traces left, just wipe it with a wet towel after the cabinet is installed. The door panel has a red label "Please peel off the film for highlighted surface"



PRODUCT ASSEMBLY

21 Install (8) on (5), first install the 4 screws in the oval holes of D (corresponding to the four small holes in (5)), close (8) and check whether the position of (8) is appropriate. If not, you can adjust it through the D screw. Then lock the screws into the four round holes of D. Install (8) to (4) in the same way.

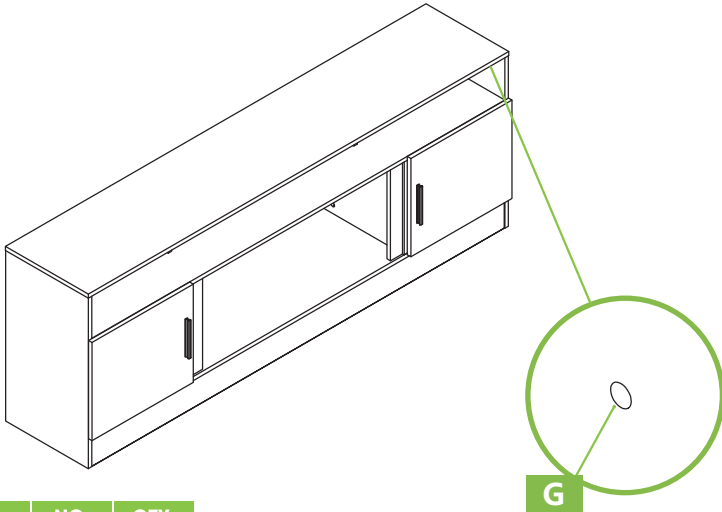


PART	NO.	QTY.
	D	2
	F	2

PRODUCT ASSEMBLY

22

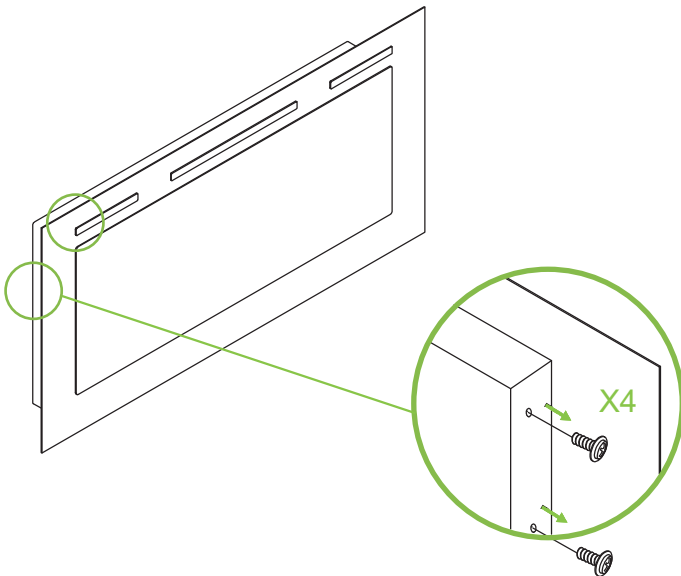
For the sake of beauty, you can use G to paste the exposed hardware holes according to your needs.



PART	NO.	QTY.
	G	12

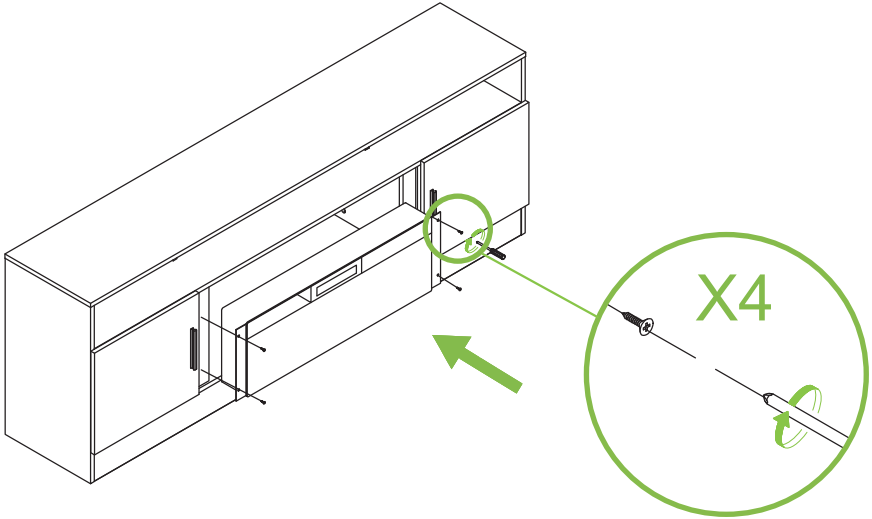
23

Remove four silver screws from the sides of the heater, two screws on each side.
Remove the tempered glass by lifting it from the lugs on the side.



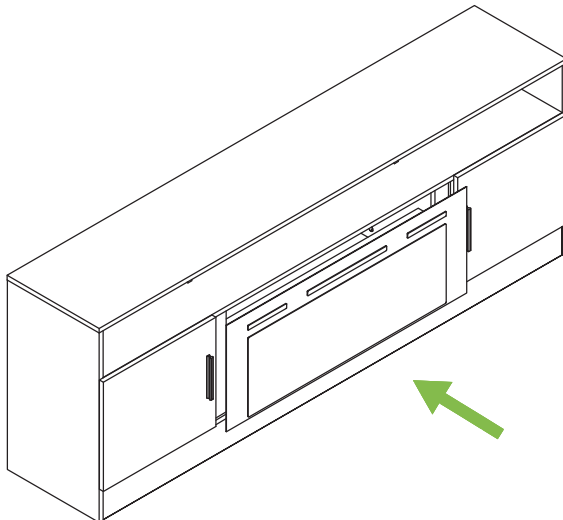
I PRODUCT ASSEMBLY

- 24** Take the glass from the appliance first, then gently put the appliance to the TV Stand by two persons.



Fix the appliance to the TV stand with 4 black screws according to the hole position

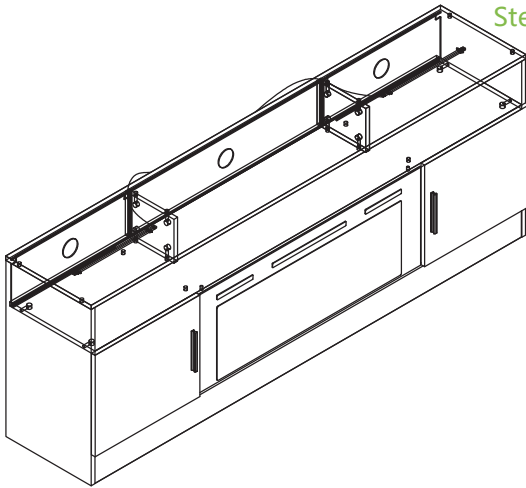
- 25** Place the front glass surround over the front of the fire aligning the slot in the bracket at each side of the glass panel with the lugs on the sides of the fire .



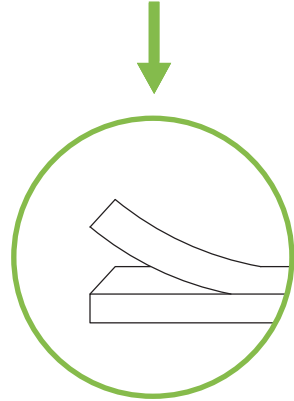
PRODUCT ASSEMBLY

26

Pass the light strip wire through the small hole in the corner of the back panel. One wire of the light strip is long and one wire is short. Place the long one on the side far away from the fireplace wire, and the short one on the side closer to the fireplace wire.

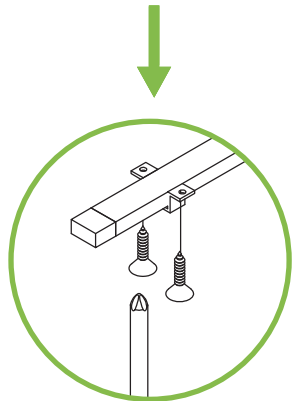
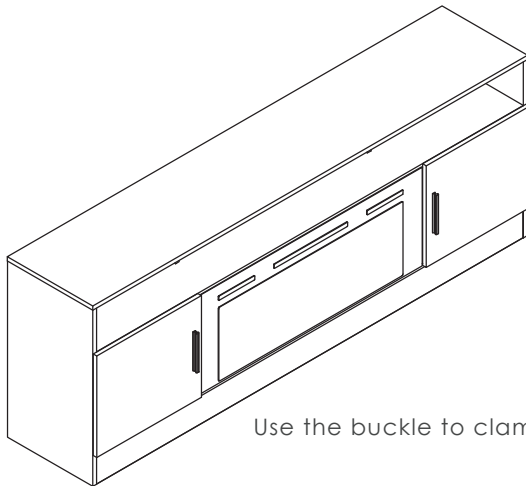


Step 1



Step 2

Tear off the double-sided tape of the light strip and stick it on the board

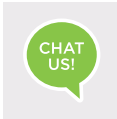


Step 3

Use the buckle to clamp the light strip and lock the screws

HELP CENTER

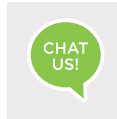
Question about your product? We're here to help. Visit us at:



Chat Support



Product Inquiry



Orders FAQ



Product Assembly



Returns & Refunds

We Stand Behind the Quality of Their Furniture

If you have any issues with your item please let us know! We will always do our best to come up with a solution that you will be happy with.

Please get in touch with our customer service team before returning the product.

And pls do not throw the original box(es) if you have not finished assembling or confirmed no quality issues.

Length of return period:

Items can be returned within 30 days of purchase.

In the meanwhile, everything you purchased from us comes with a one-year warranty.

Who is responsible for the return shipping fee:

We will cover the return shipping fees if:

1. Your item has a manufacturing defect in its materials or workmanship. For example, torn wicker or misaligned screw holes. We will send you a prepaid shipping label after photos are sent.
2. Your item has been damaged in transit. For example, glass is broken or wicker is damaged. We will send you a prepaid shipping label after photos are sent.
3. You receive the wrong box(es) due to a warehouse error. We will send you a prepaid shipping label after photos are sent of the wrong SKU numbers on the outer box(es).
4. One or more boxes are lost in transit. We will send you a prepaid shipping label if you no longer want the item.

*However, we still hope to work with you for a better solution instead of a return. Please don't hesitate to contact our customer service team.

Customer will cover the return shipping fees if:

1. You don't like the product(s) after receiving the box(es).
2. You no longer need the product(s) but you have received the box(es).
3. You buy the product(s) by mistake but you have received the box(es).
4. Order/Shipment cancellation failed and you have received the box(es).

Return Request

In order to get a full refund as described in this return policy, all items must be: (1) In a brand new/unused condition, please provide photos before and after packaging. (2) When returning, all accessories and parts are firmly packed in all original packaging. If your return does not meet the requirements, you may not get a full refund.

When will I be refunded?

The refund is released once the goods have been returned to our warehouse.

What if the product is damaged/defective outside of the valid return period?

We want you to be a happy customer. Please reach out to us by email and we will come up with a solution to make sure you are satisfied.