

RVA1542

Caddy Drying Rack

RUVATI[®]
SPECIFICATION SHEET

Material: Wood / Stainless Steel

Caddy Drying Rack Dimensions:

17-1/4" (length) x 8-5/8" (width) x 3/4" (thick)

Bowls Dimensions:

4-3/8" (diameter) x 4" (deep)

Items Included:

Dish Plate and Silverware Caddy Drying Rack

Compatible with all LedgeFit Ruvati sinks



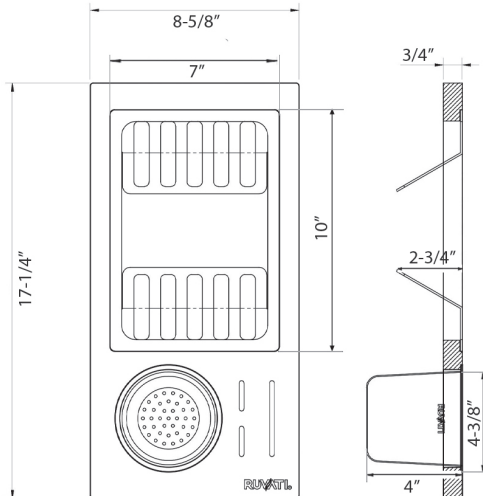
US Patent No. D1110644

Care Instructions:

- Hand wash with warm water and mild dish soap.
- Dry thoroughly after washing.

Purpose:

- Holds up to 5 plates for efficient air drying.
- Holds assorted utensils, featuring 4 built-in knife slots.



RUVATI USA

WWW.RUVATI.COM

SCAN TO REGISTER
YOUR WARRANTY



www.ruvati.com/register

 California Prop 65 Warning:
Cancer and Reproductive Harm



X003UD9YQV

PHONE: 1.855.478.8284
EMAIL: SUPPORT@RUVATI.COM