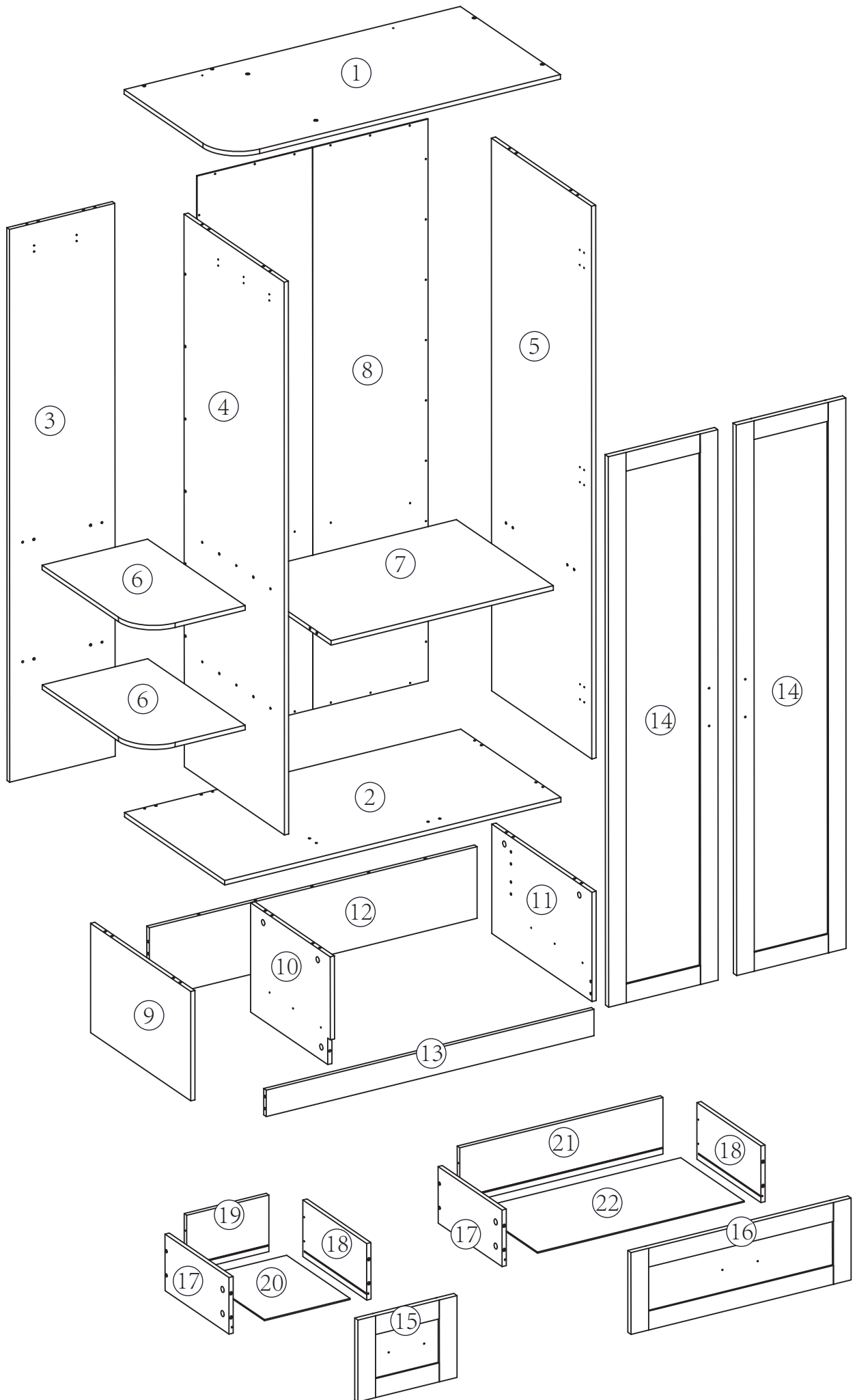


Installation & Assembly

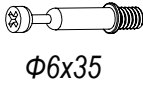


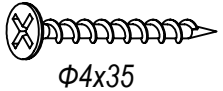

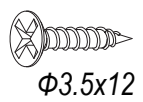
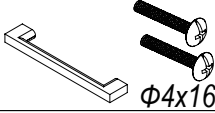
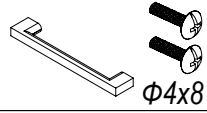



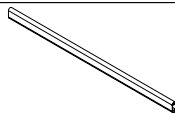


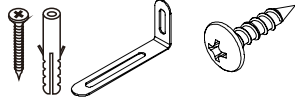
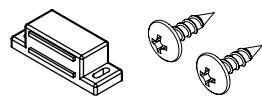

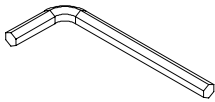
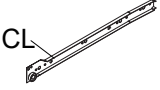
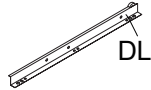
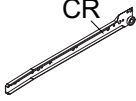
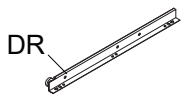




Components - Fittings

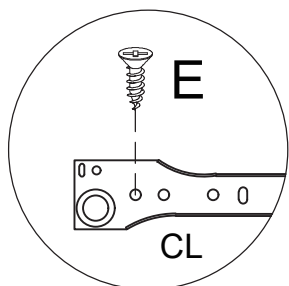
Please check you have all the panels listed below

Note: The quantitie below are the correct amount to complete the assembly. In some cases more fittings may be supplied than are required.

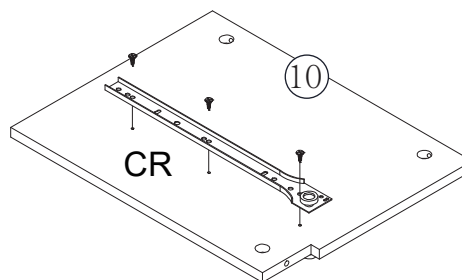
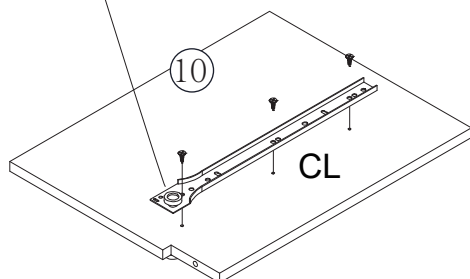
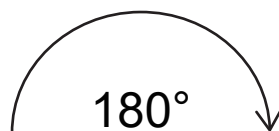
A	 Φ6x35	30 PCS +3 PCS	B	 Φ15x10	30 PCS +3 PCS
C	 Φ6x30	41 PCS +4 PCS	D	 Φ4x35	8 PCS
E	 Φ3x12	24 PCS +2 PCS	F	 Φ3.5x12	36 PCS +3 PCS
G	 Φ4x16	2 SETS	H	 Φ4x8	2 SETS
I	 Φ5x40	28 PCS +2 PCS	J		5 SETS
K		2 PCS	L		1 PC
M		34 PCS +3 PCS	N		6 PCS
O		2 SETS	P		2 SETS
Q		4 PCS			1 PC
CL		2 PCS	DL		2 PCS
CR		2 PCS	DR		2 PCS

PRODUCT ASSEMBLY

Step 1

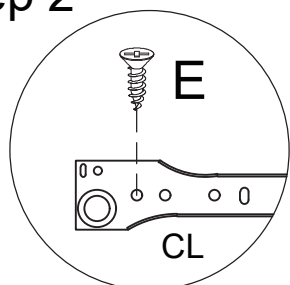


Note that the first hole of the slide rail and the leading hole of the board shall be positioned during the installation of the slide rail!

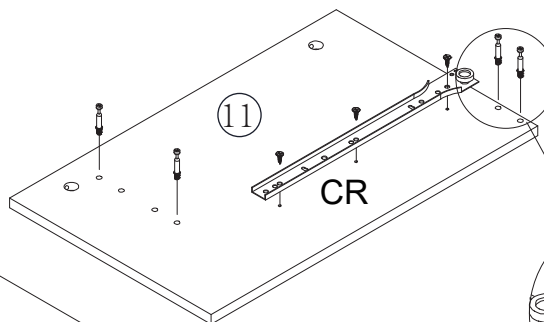
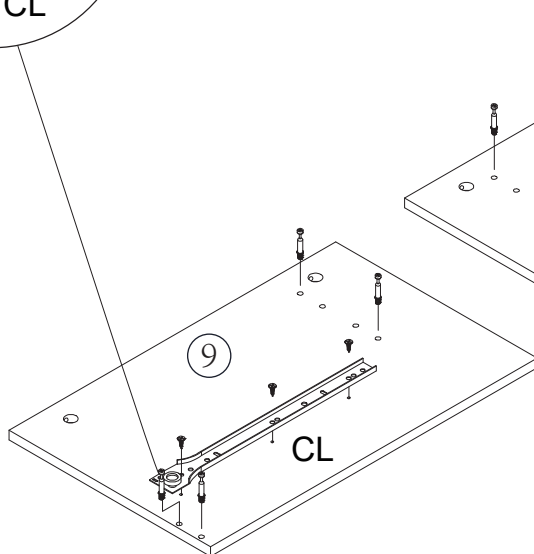


E		6 PCS
CL		1 PC
CR		1 PC

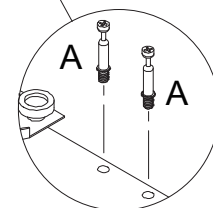
Step 2



Note that the first hole of the slide rail and the leading hole of the board shall be positioned during the installation of the slide rail!

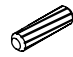
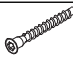
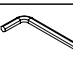


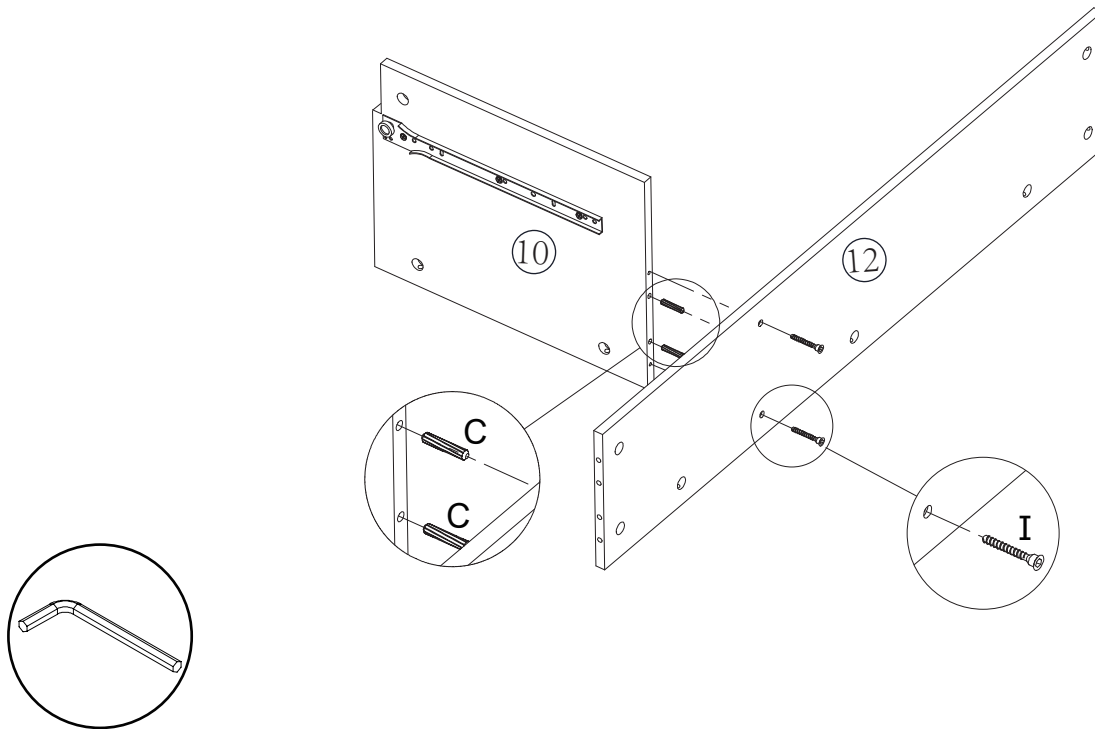
A		8 PCS
E		6 PCS
CL		1 PC
CR		1 PC



PRODUCT ASSEMBLY

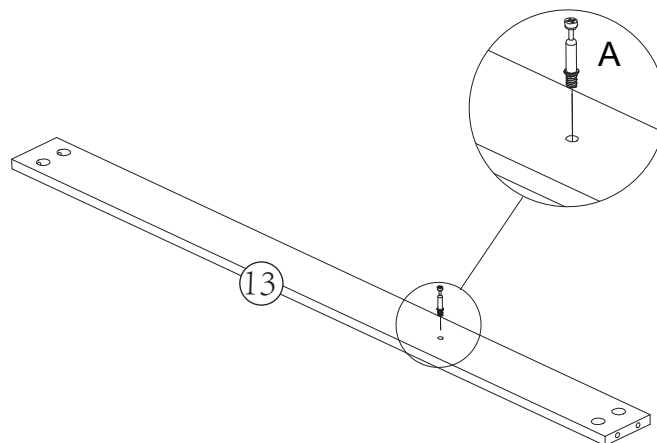
Step 3

C		2 PCS
I		2 PCS
		1 PC



Step 4

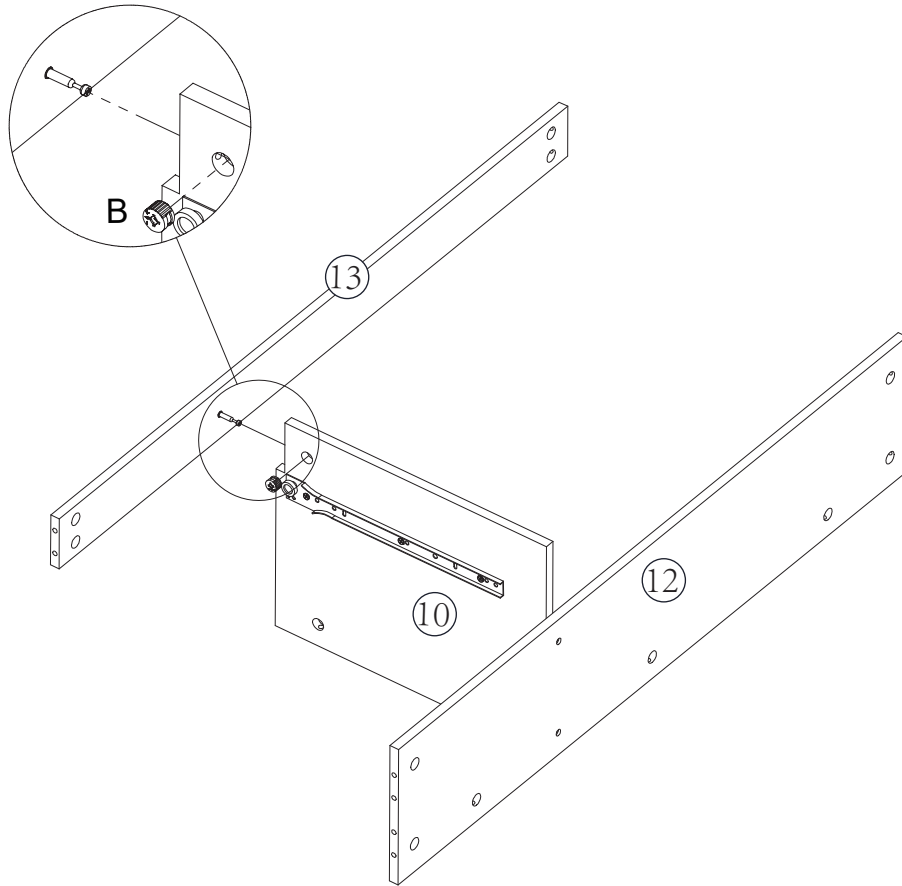
A		1 PC
---	---	------



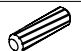

PRODUCT ASSEMBLY

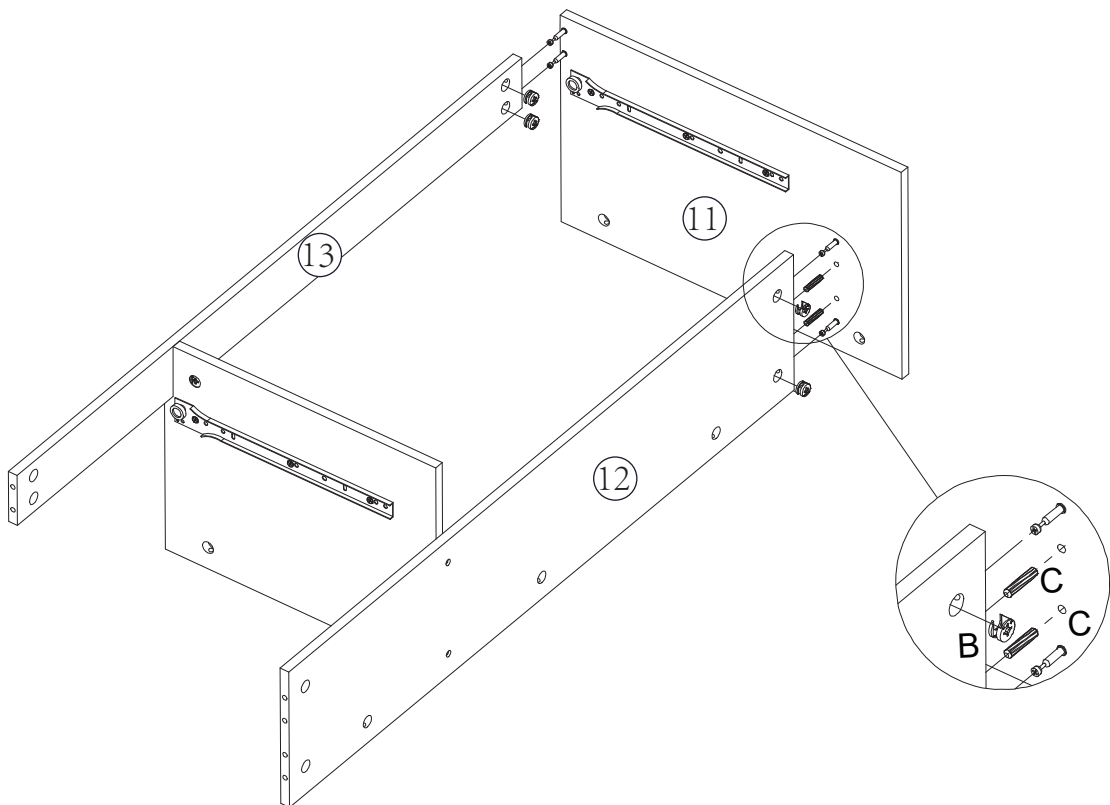
Step 5

B		1 PC
---	---	------



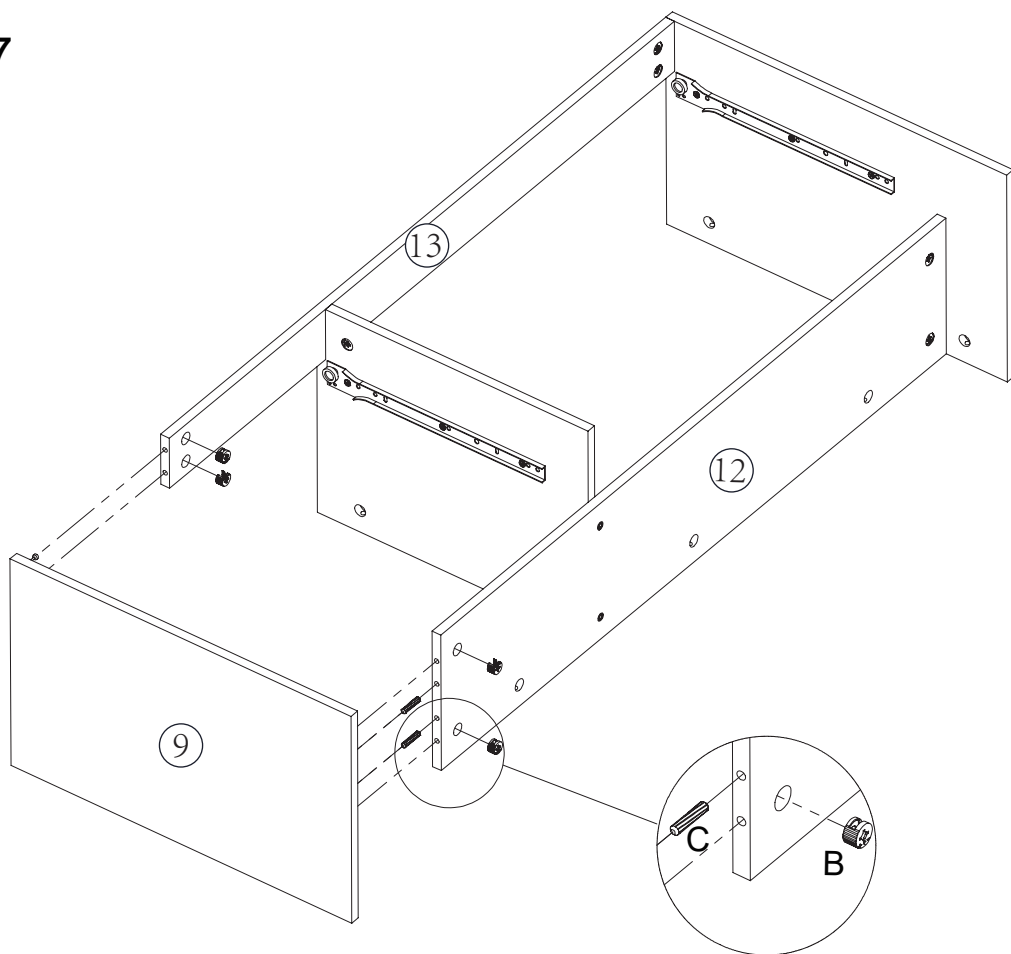
Step 6

C		2 PCS
B		4 PCS



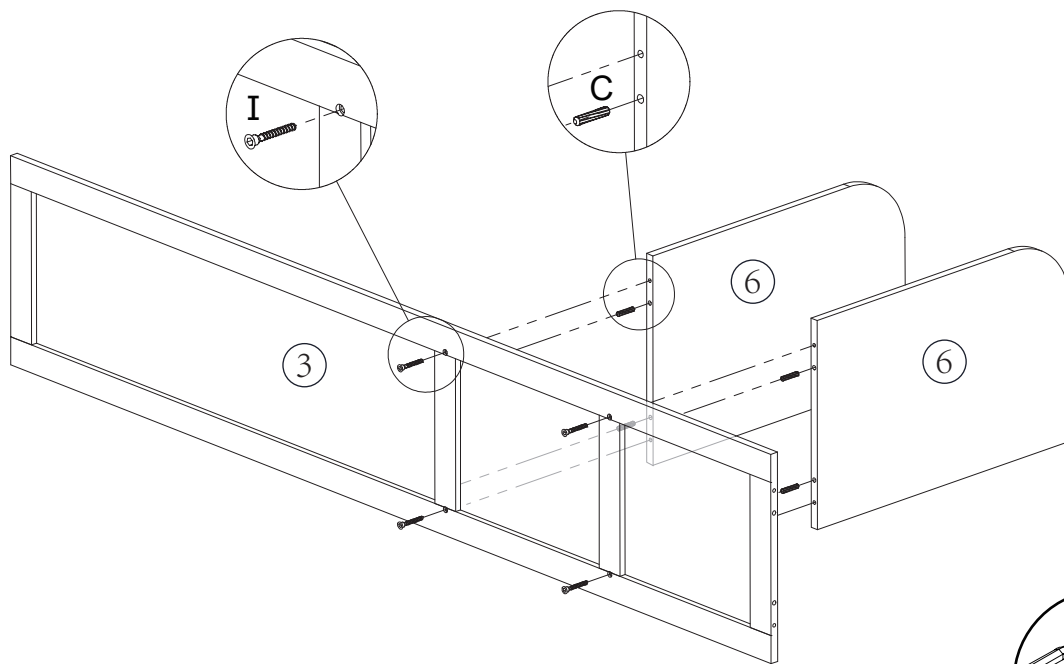
PRODUCT ASSEMBLY

Step 7

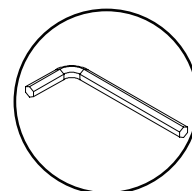


B		4 PCS
C		2 PCS

Step 8






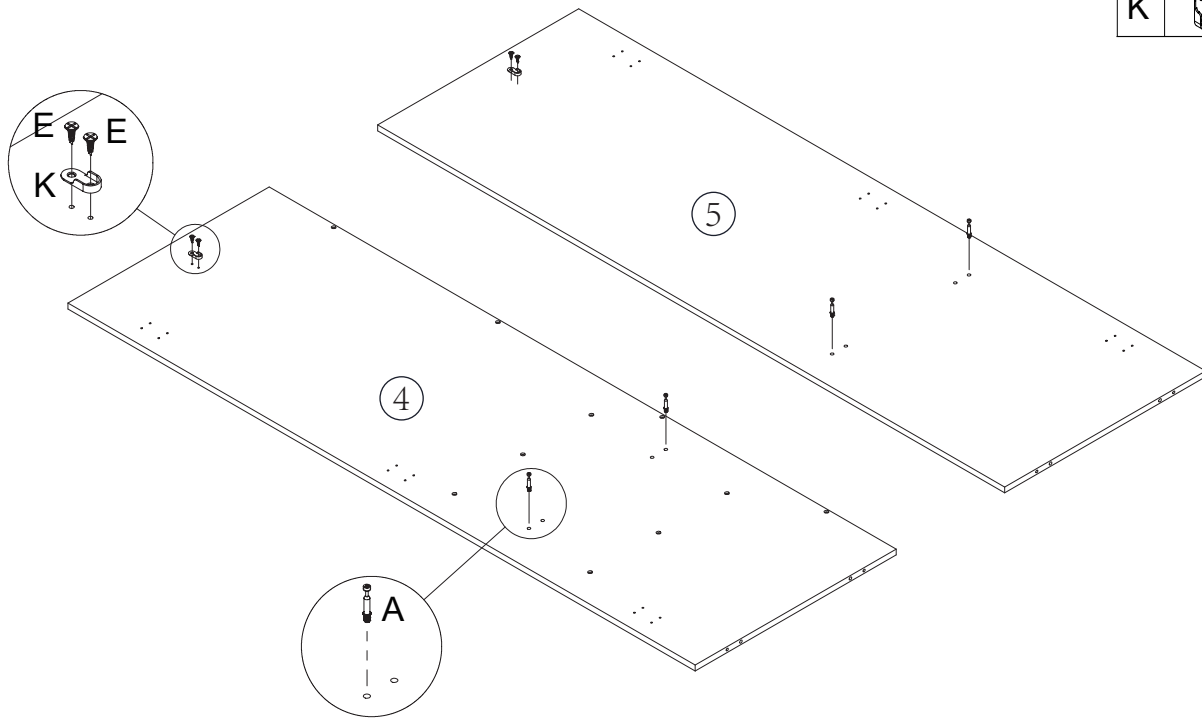
C		4 PCS
I		4 PCS



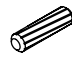

PRODUCT ASSEMBLY

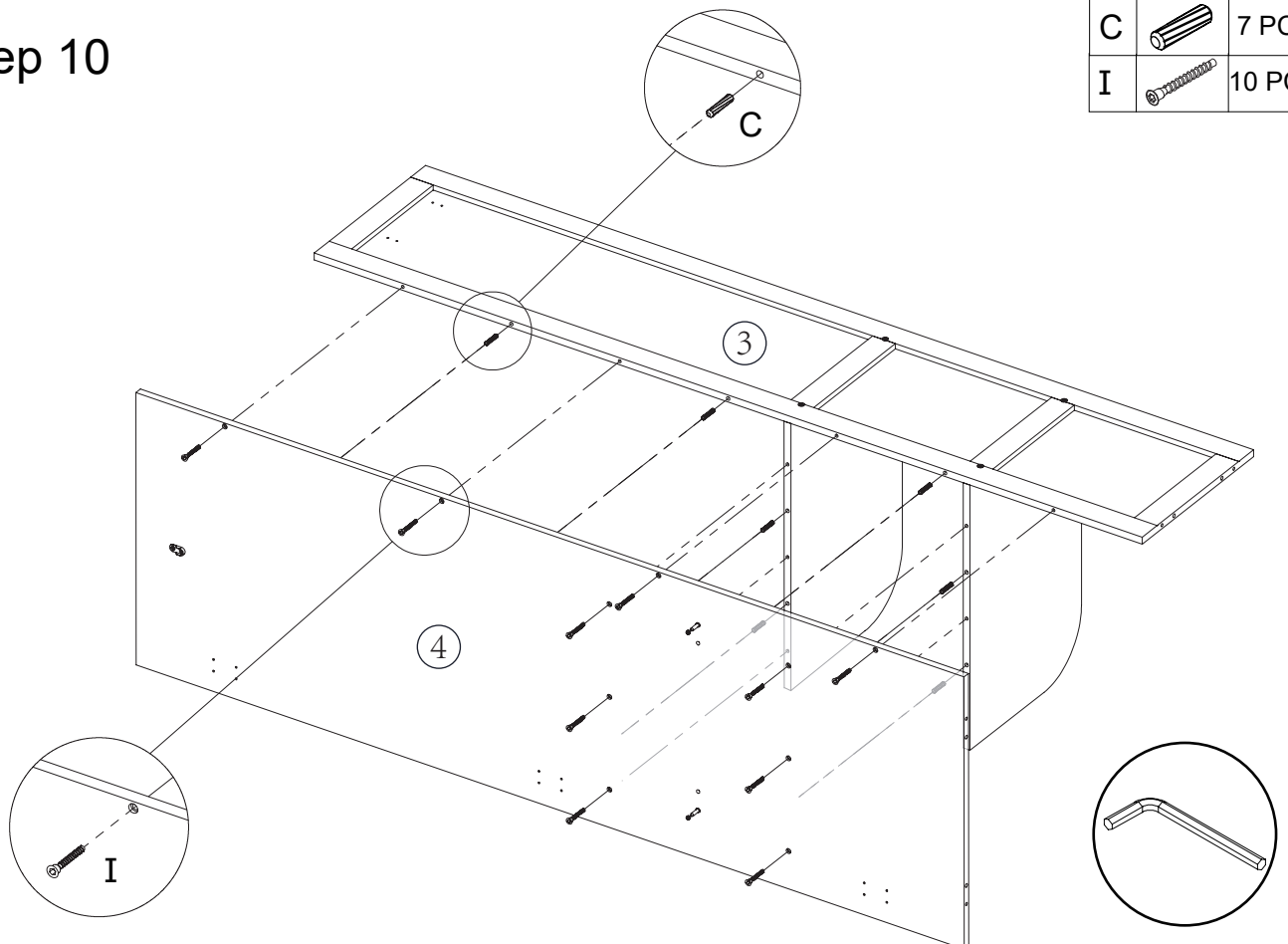
Step 9

A		4 PCS
E		4 PCS
K		2 PCS



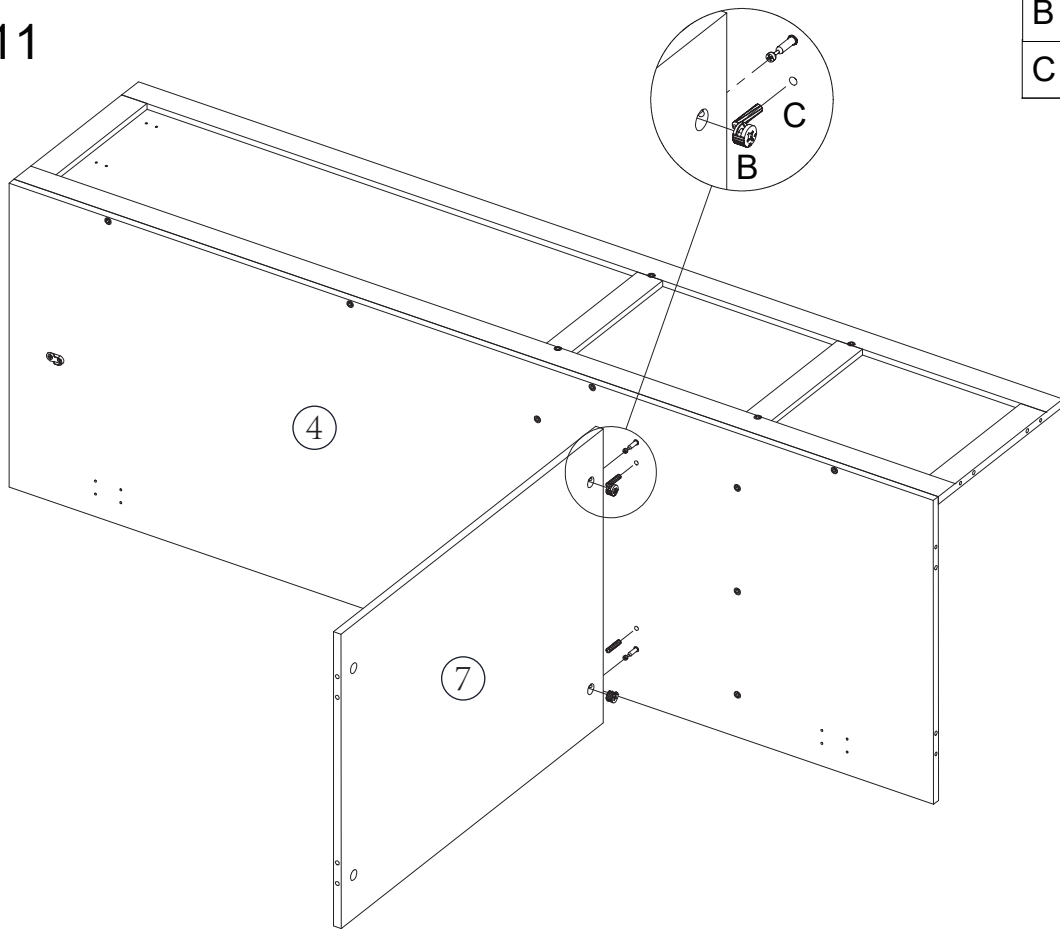
Step 10



C		7 PCS
I		10 PCS



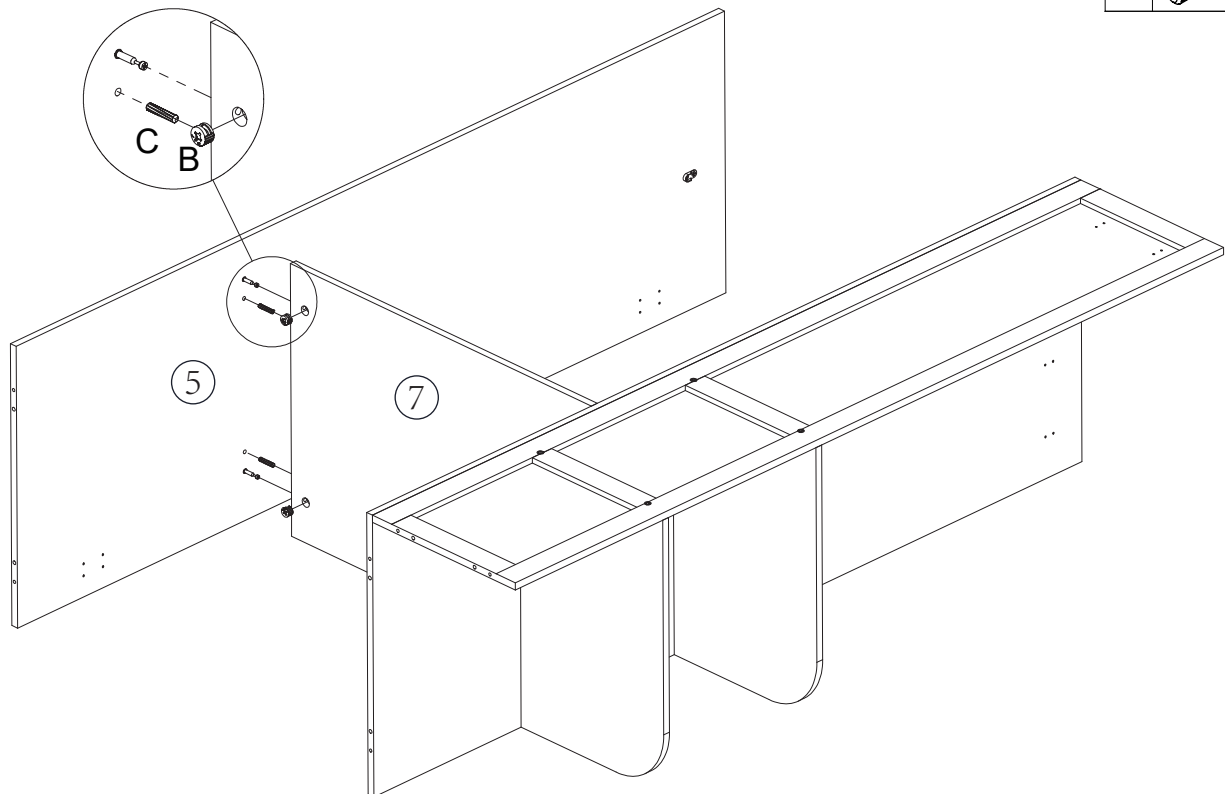
PRODUCT ASSEMBLY



Step 11



B		2 PCS
C		2 PCS



Step 12

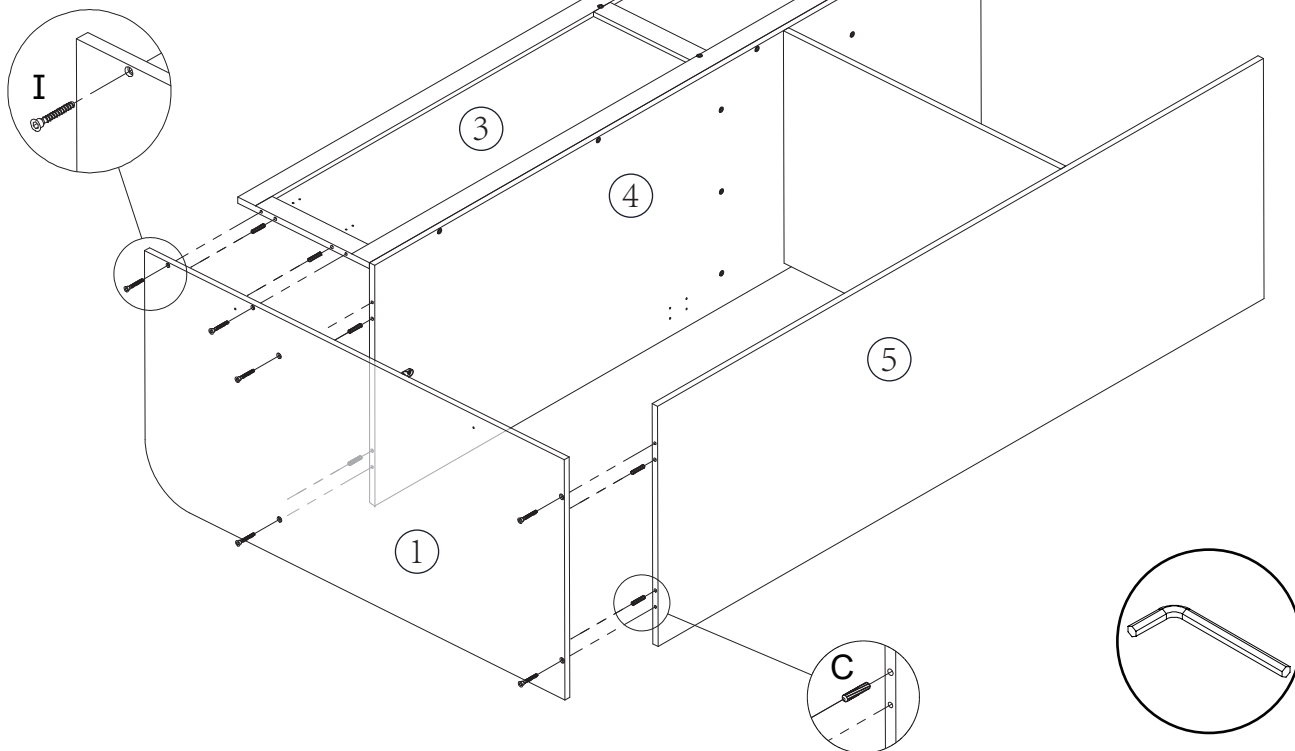


B		2 PCS
C		2 PCS


PRODUCT ASSEMBLY

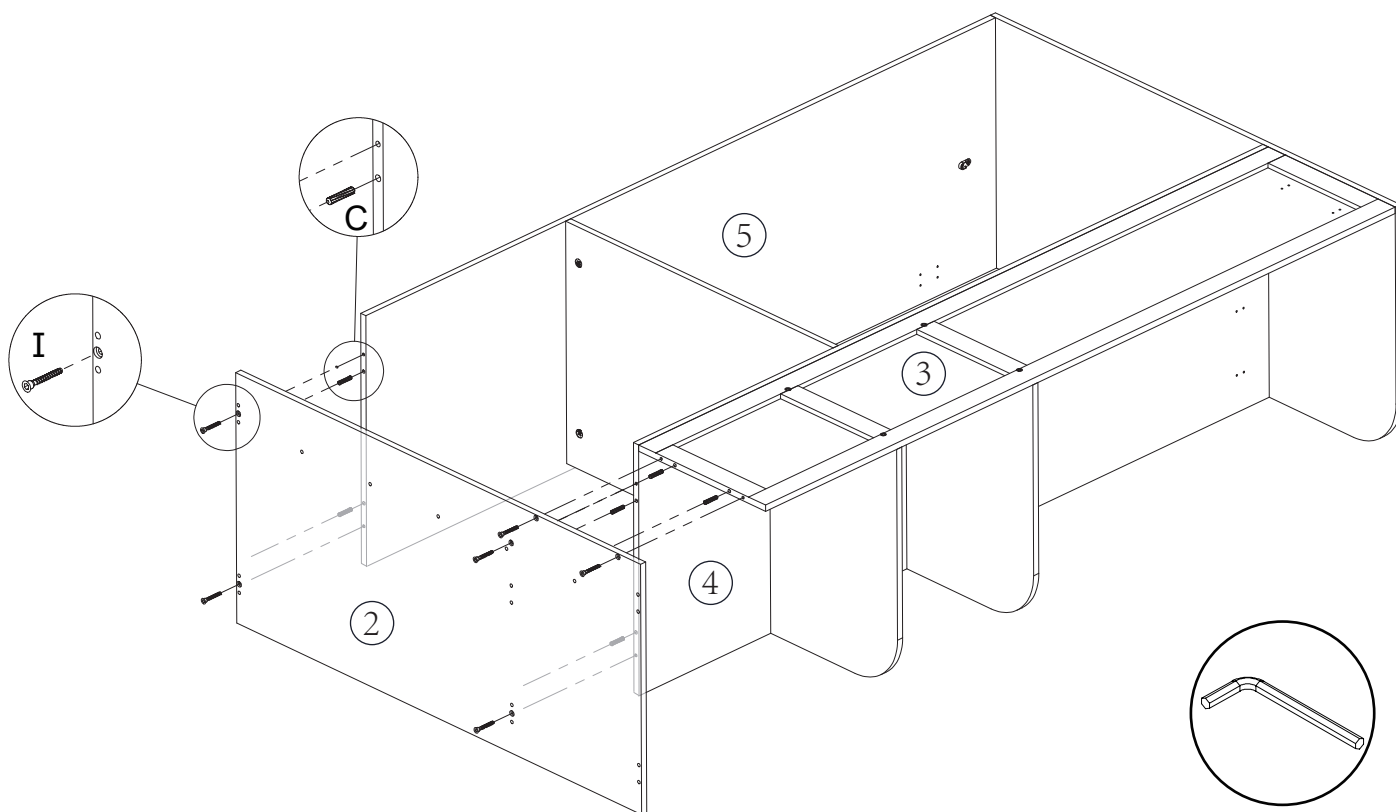
Step 13

C		6 PCS
I		6 PCS



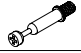
Step 14

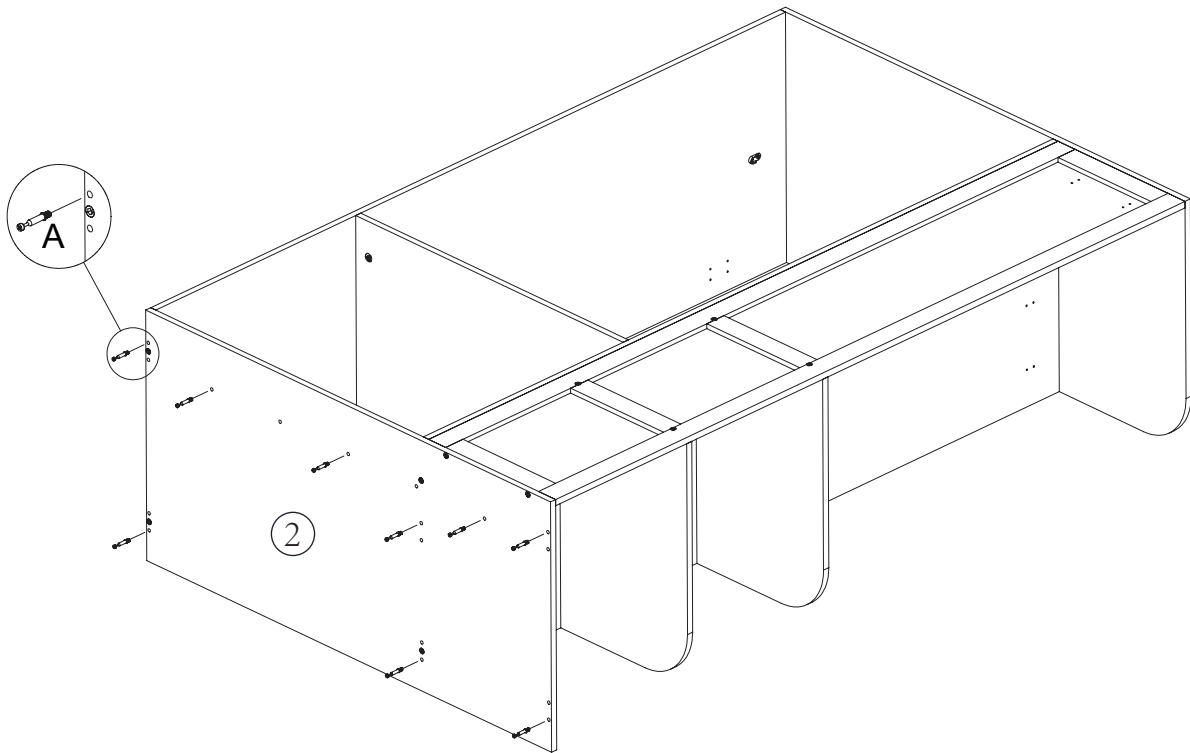
C		6 PCS
I		6 PCS




PRODUCT ASSEMBLY

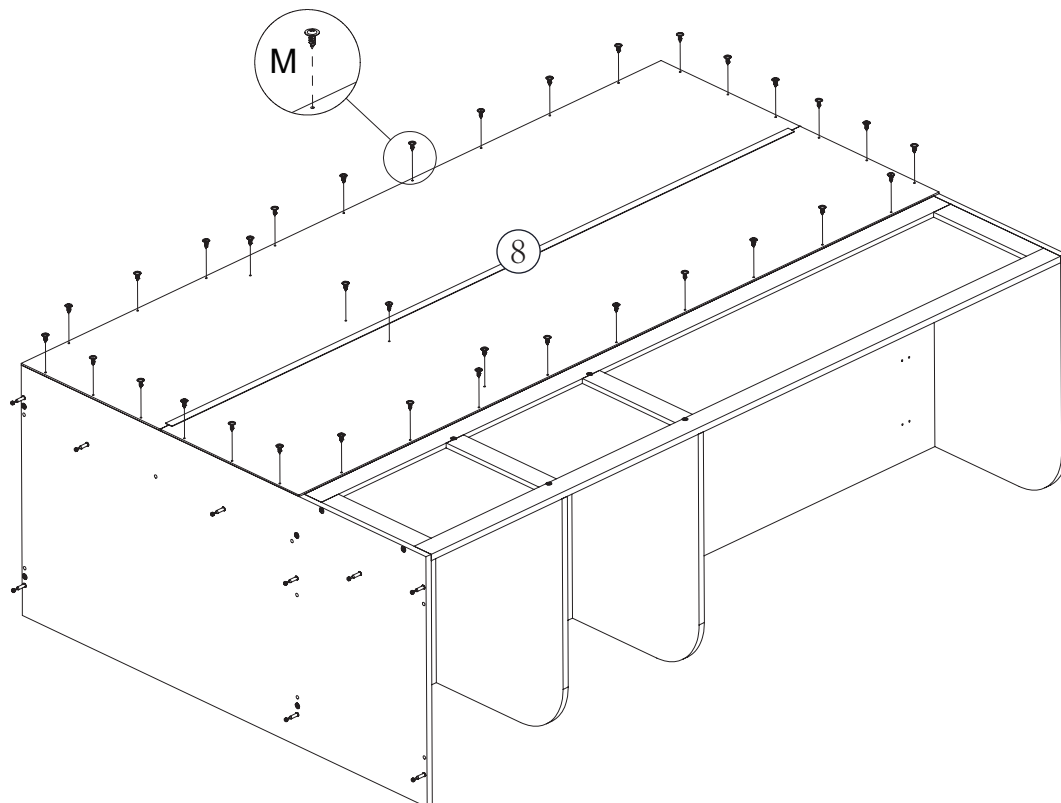
Step 15

A  9 PCS





Step 16

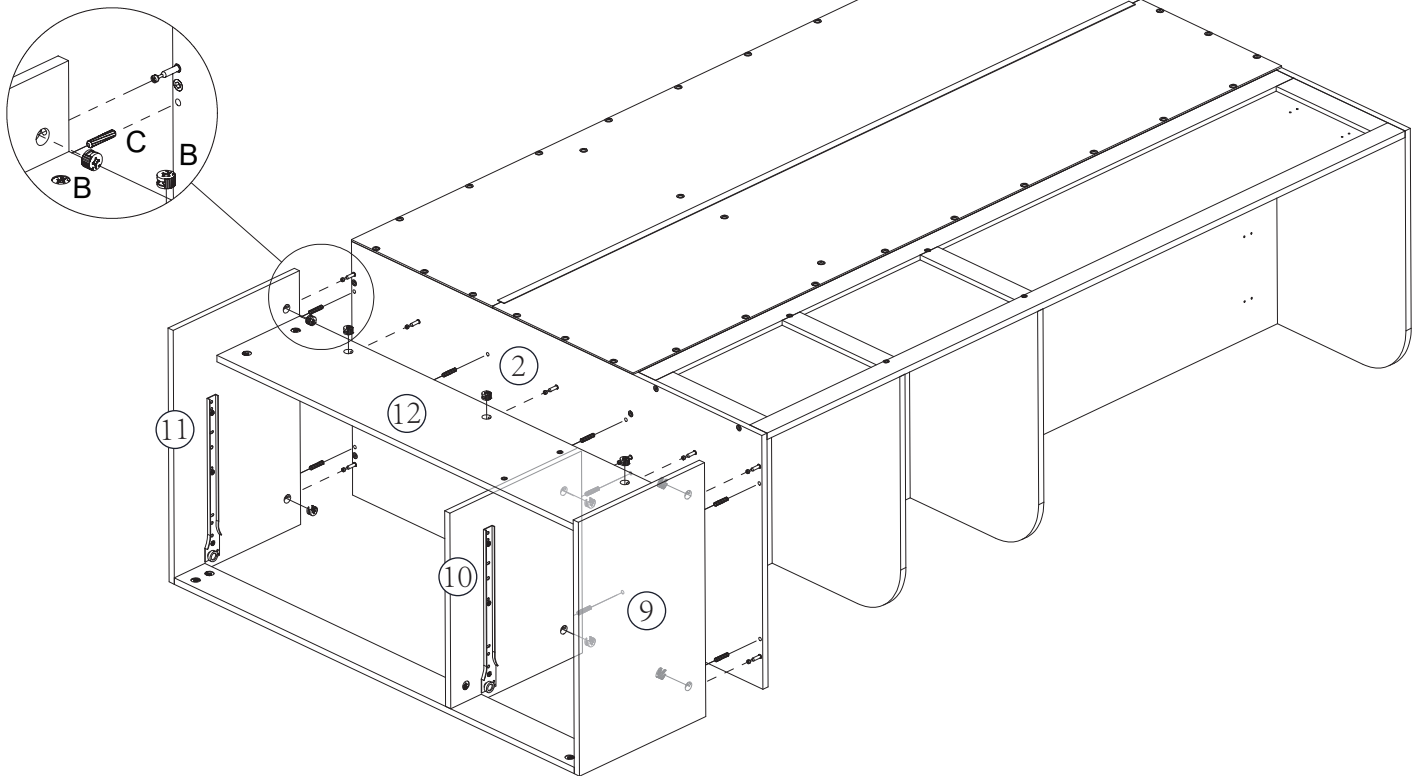
M  34 PCS





PRODUCT ASSEMBLY

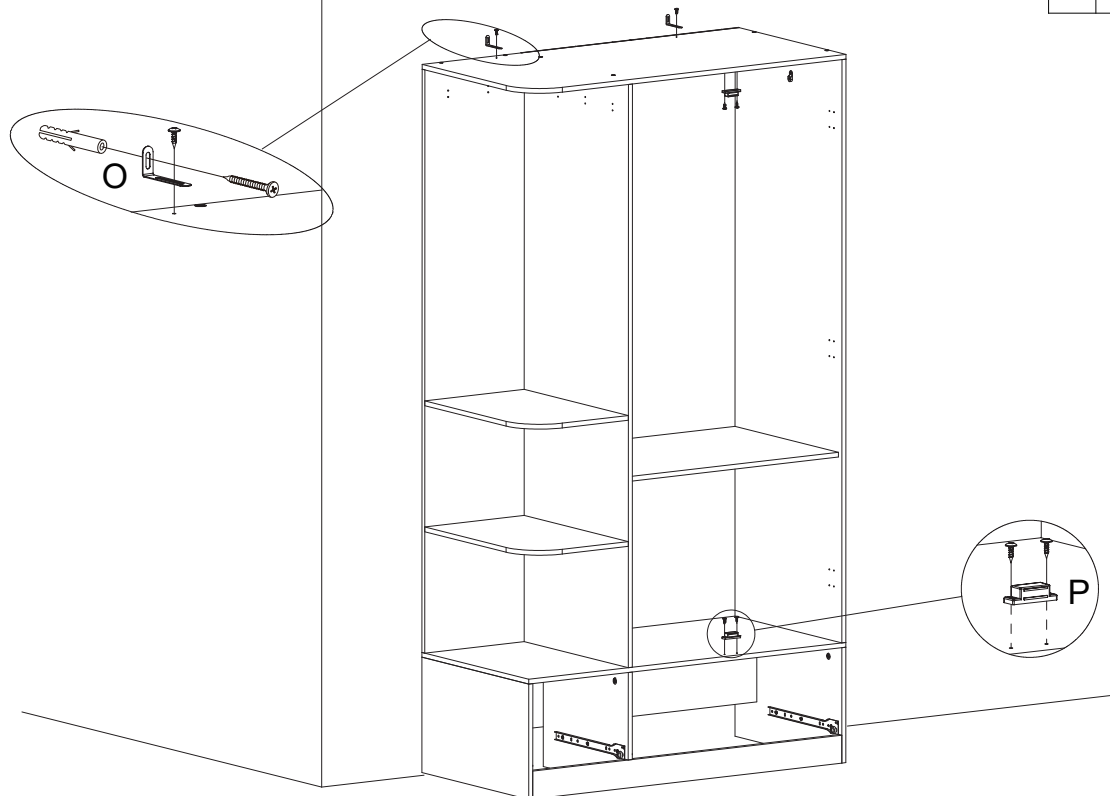
Step 17

B		9 PCS
C		8 PCS





Step 18

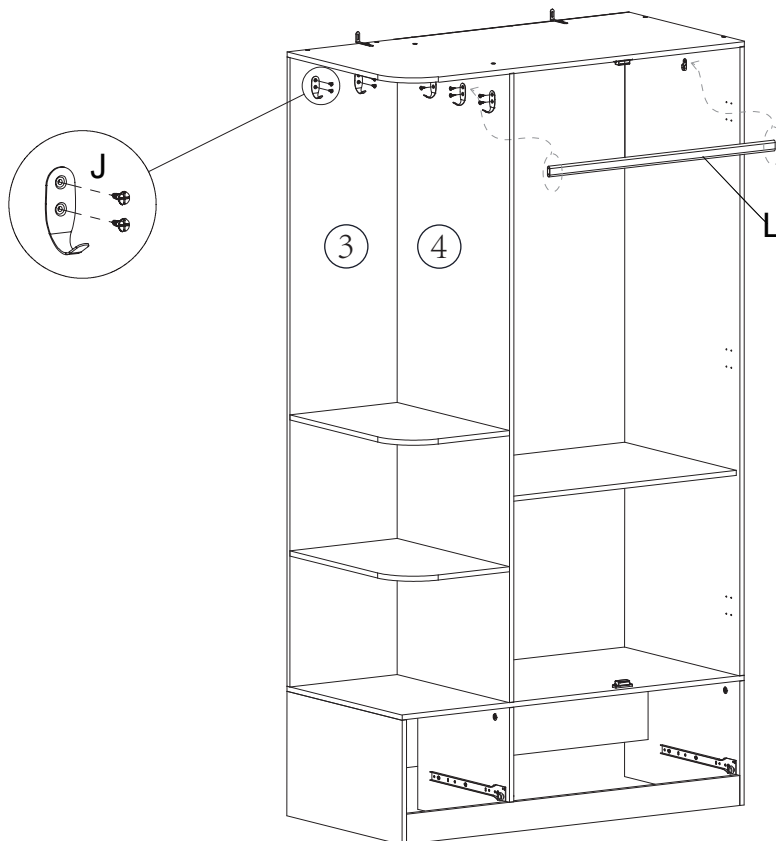
O		2 SETS
P		2 SETS







PRODUCT ASSEMBLY

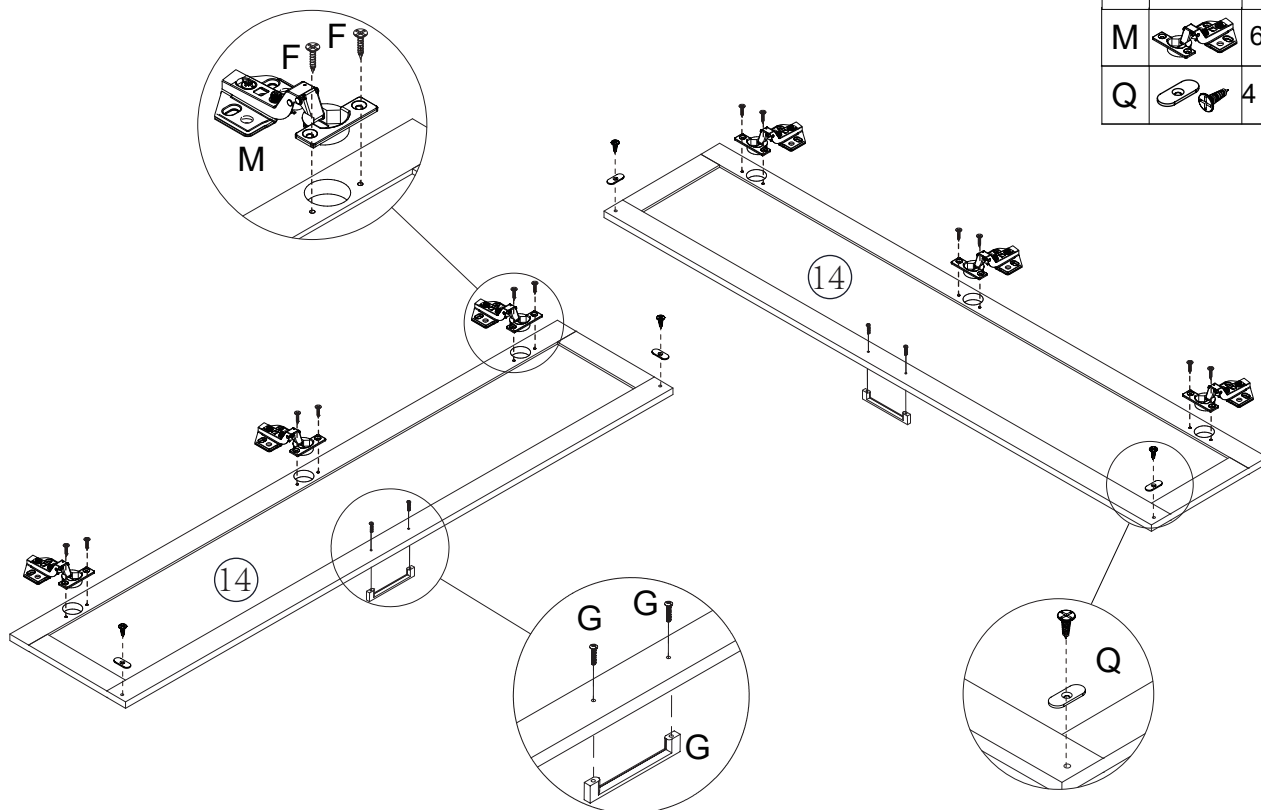
Step 19

J		5 SETS
L		1 PC




Step 20

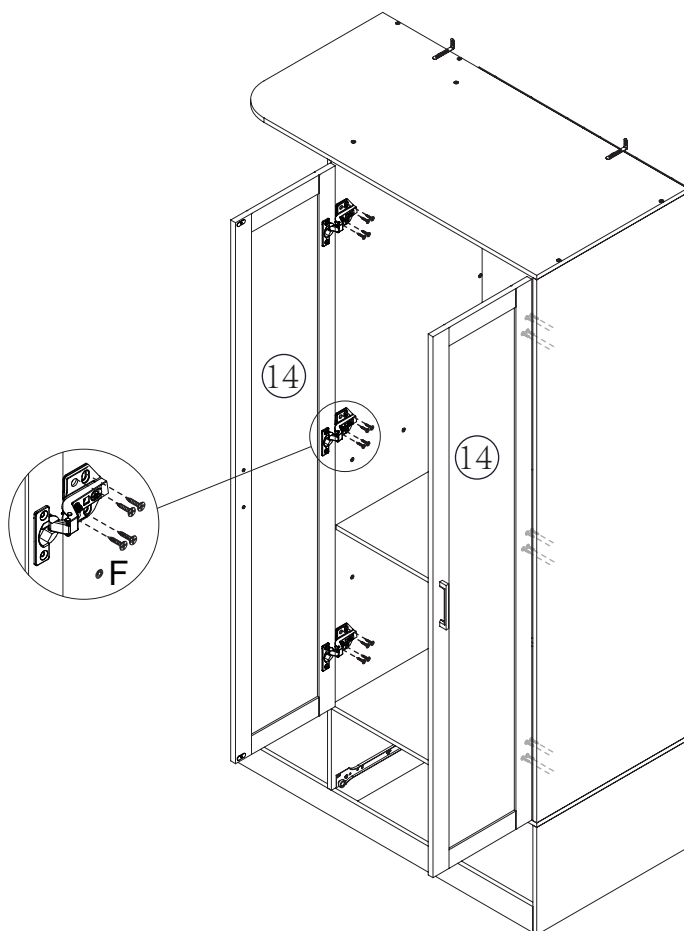
F		12 PCS
G		2 SETS
M		6 PCS
Q		4 SETS



PRODUCT ASSEMBLY

Step 21

F  24 PCS



Step 22

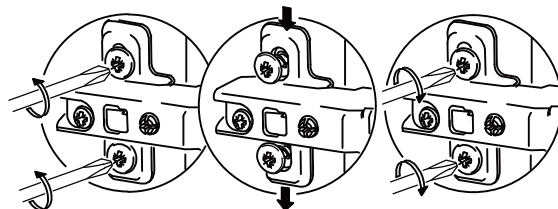
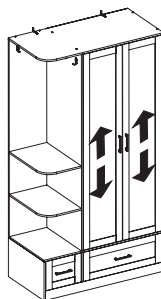
a: To move the top panel up or down, loosen screws shown and move top panel to

b. To move the top panel in or out, loosen screws shown and move top panel to suit.

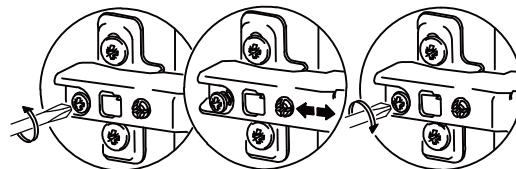
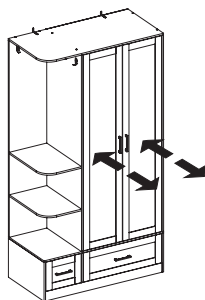
Retighten screws

C: To move the top panel left or right, adjust screws

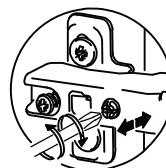
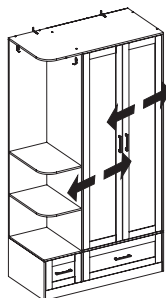
a:



b:

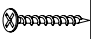


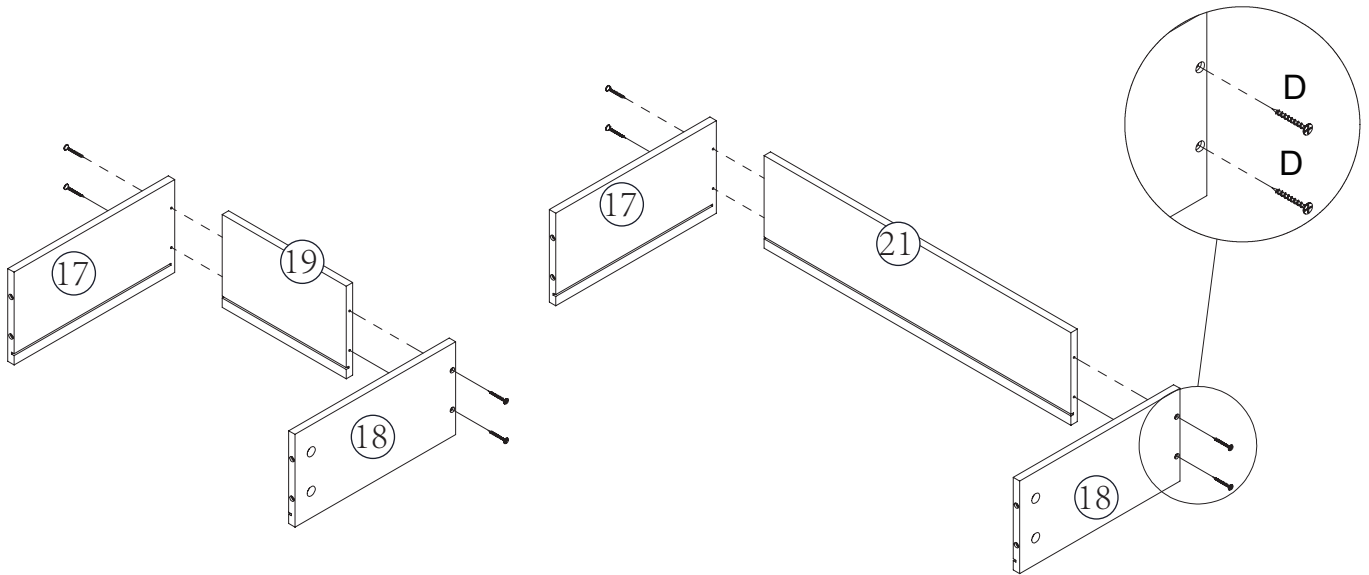
c:



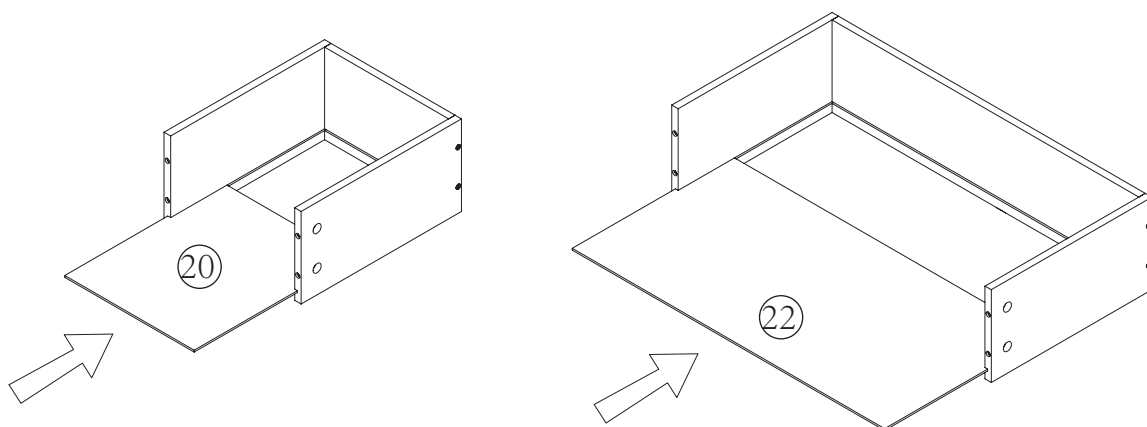
PRODUCT ASSEMBLY

Step 23

D  8 PCS

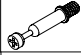



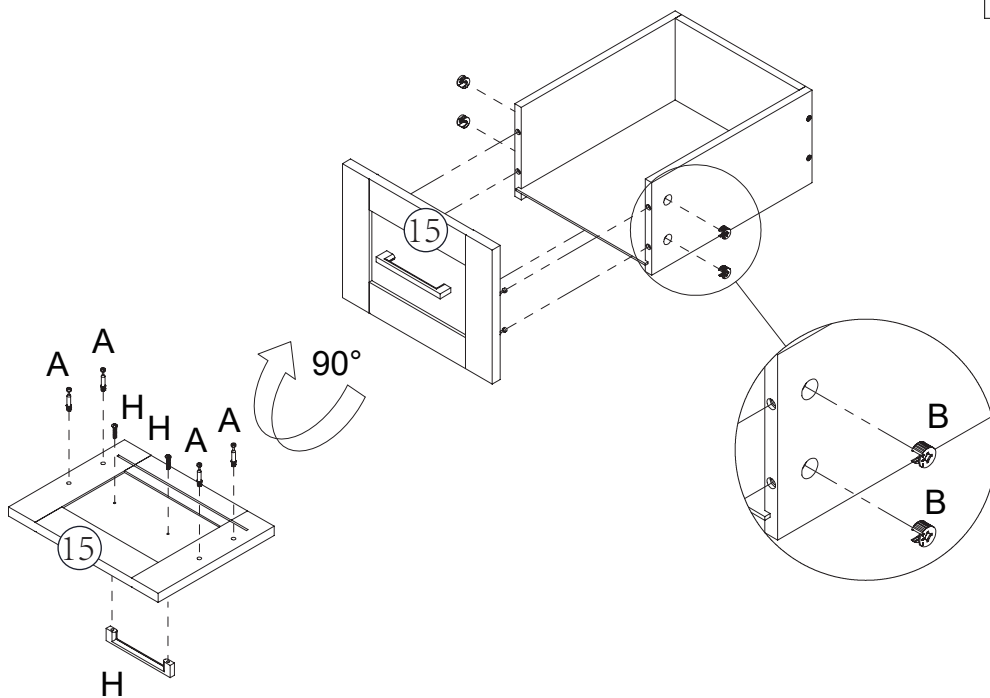
Step 24



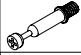


PRODUCT ASSEMBLY

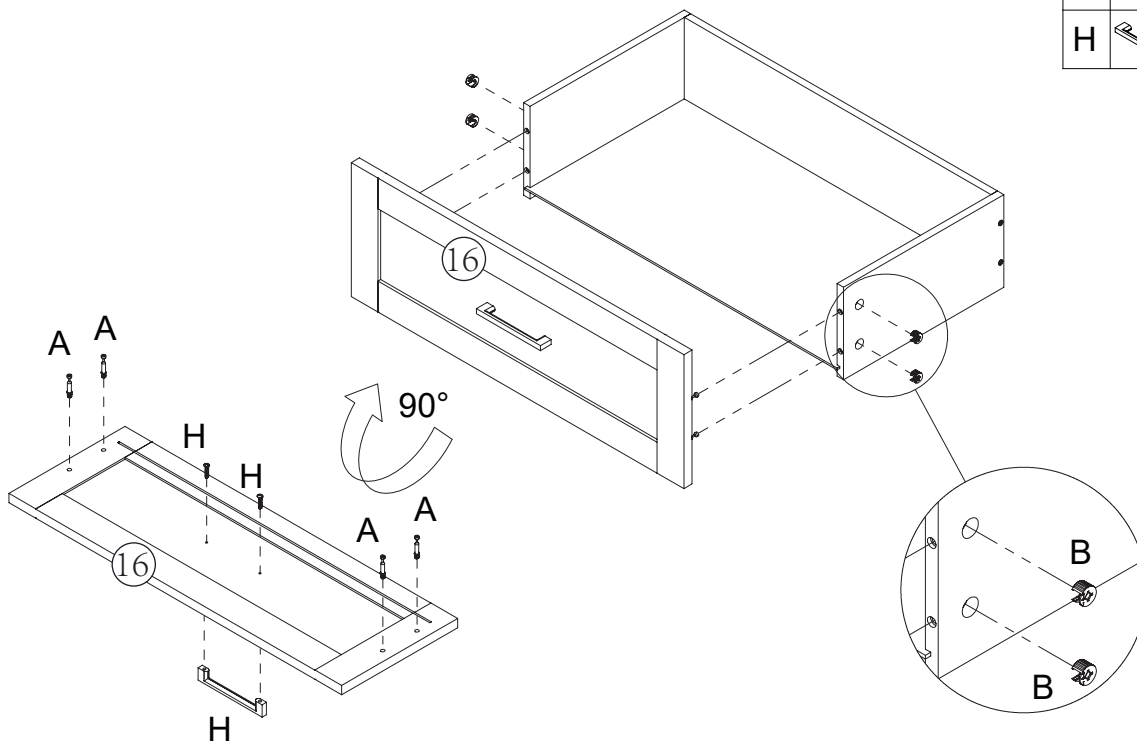
Step 25

A		4 PCS
B		4 PCS
H		1 SET



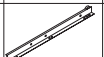
Step 26

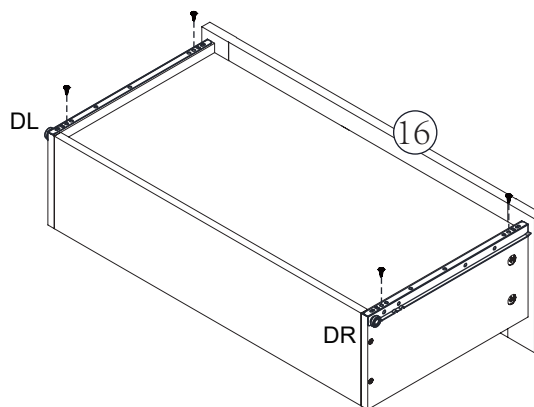
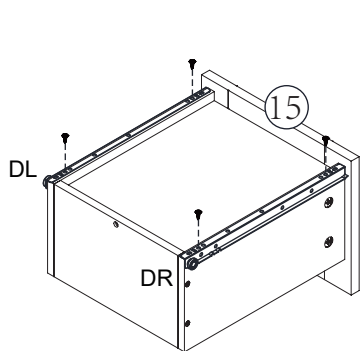
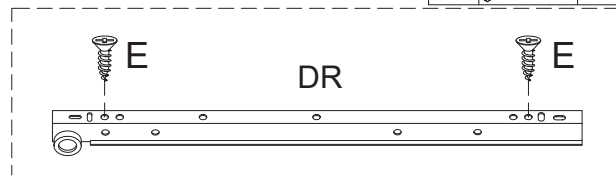
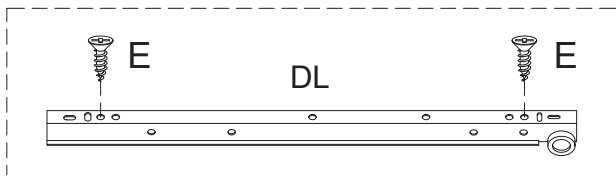
A		4 PCS
B		4 PCS
H		1 SET



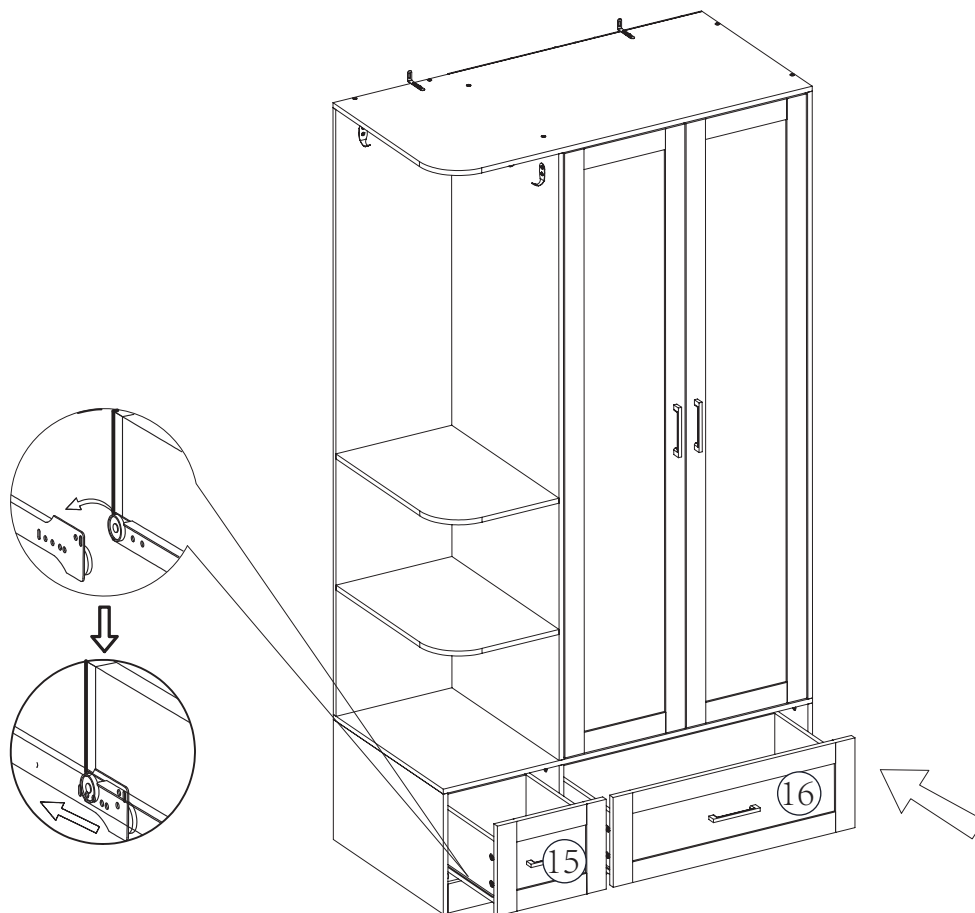
PRODUCT ASSEMBLY

Step 27

E		8 PCS
DL		2 PCS
DR		2 PCS



Step 28



A Guide to Wall Mounting & Fixings

Important note:

If plastic wall plugs (rawl plugs) are supplied with your product, eg:



- these are suitable for use in masonry walls

If you are in any doubt about the correct wall plugs for your wall, seek professional advice.

Failure of the product due to using the incorrect fixings is the responsibility of the installer.



Important: when drilling into walls always check that there are no hidden wires or pipes etc.



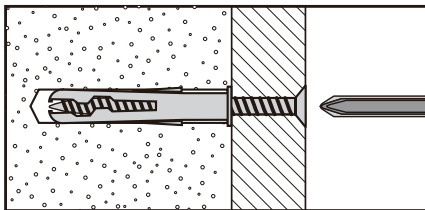
Hints:

1. General rule: always use a larger screw and wall plug if you are not sure.
2. Ensure you use the recommended drill bit to match the wall plug and hole size.
3. Ensure you drill the hole horizontally; do not force the drill or enlarge the hole.
4. Take extra care when drilling high walls, ceilings and ceramic tiles. Ensure wall plugs are inserted beyond the thickness of the ceramic tiles to avoid the tiles splitting or cracking.
5. Ensure wall plugs are well fitted and are a tight fit in the drilled hole.

Types of walls

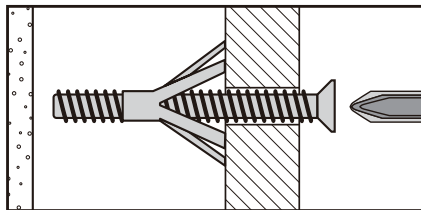
You can use one of the following types of wall plug if your walls are made of brick, breeze block, concrete, stone or wood.

No. 1 "General Purpose" wall plug



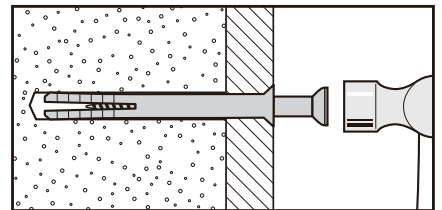
Generally aerated blocks should not be used to support heavy loads, use a specialist fitting in this case. For light loads, general purpose wall plugs can be used.

No. 3 "Cavity Fixing" wall plug



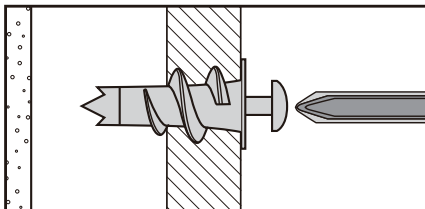
For use with plasterboard partitions or hollow wooden doors.

No. 5 "Hammer Fixing" wall plug



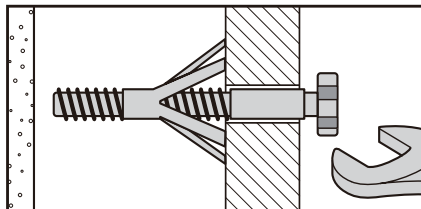
For use with walls stuck with plasterboard. The hammer fixing allows it to be fixed to the wall rather than the plasterboard. Always check the fixing is secure to the retaining wall.

No. 2 "Plasterboard" wall plug



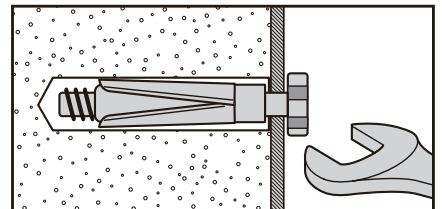
For use when attaching light loads onto plasterboard partitions.

No. 4 "Cavity Fixing - Heavy Duty" wall plug



For use when fitting or supporting heavy loads such as shelving, wall cabinets and coat racks.

No. 6 "Shield Anchor" wall plug - heavy loads



For use with heavier loads such as TV and HiFi speakers and satellite dishes etc.



Care & Maintenance

Safety: Always check the fitting and location to ensure your safety in and around the home.

Fitting: From time to time check the fitting to ensure the wall plugs or screws do not become loose.