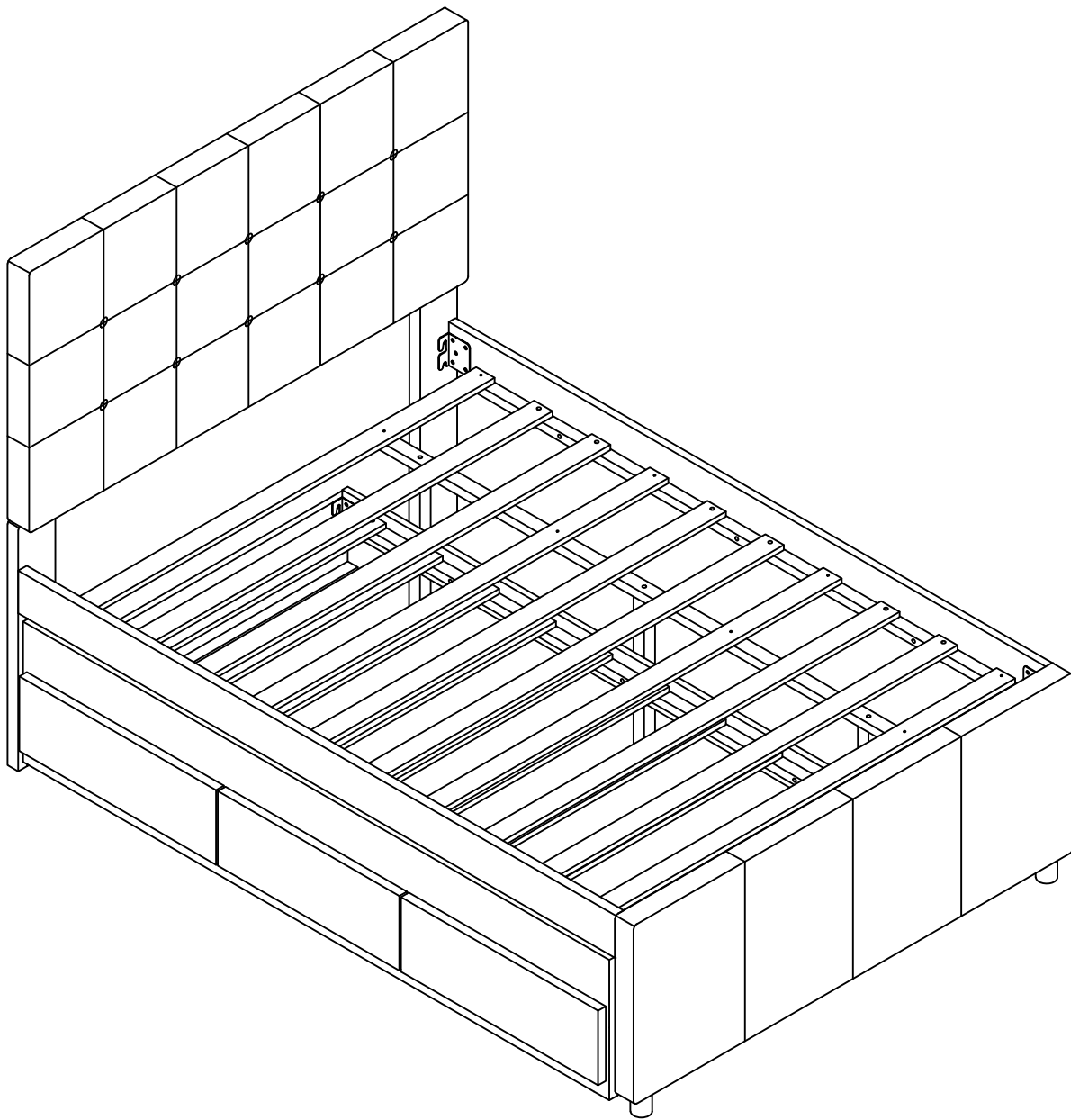


ASSEMBLY INSTRUCTIONS

WF 302058/ WF 302059/ WF 302060



IMPORTANT NOTE

****PLACE ALL PARTS ON A CLEAN AND SMOOTH SURFACE SUCH AS A RUG OR CARPET TO AVOID THE PARTS FROM BEING SCRATCHED**

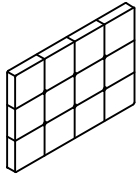

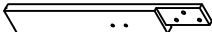
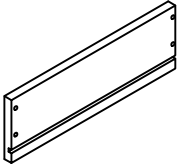
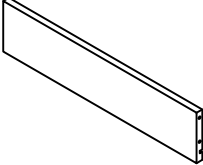
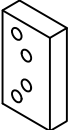
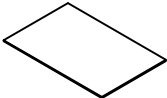
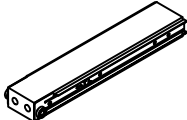
**** BEFORE YOU BEGIN , KINDY FOLLOW THE ASSEMBLY INSTRUCTIONS STEP BY STEP**

****DO NOT TIGHTEN ALL SCREWS AND BOLTS UNTIL THE BED IS FULLY SET-UP**

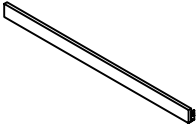
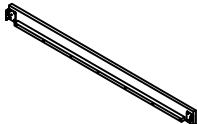
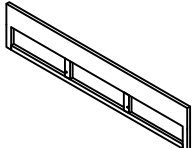
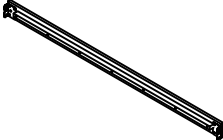
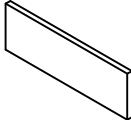

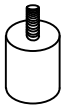
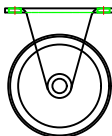
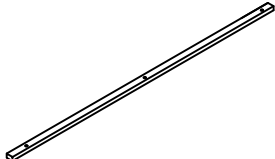
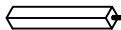
ASSEMBLY INSTRUCTIONS

WF 302058/ WF 302059/WF 302060

PART LIST BOX 1: WF 302058

<p>1</p>  <p>Headboard (1 pcs)</p>	<p>2</p>  <p>Left Headboard Leg (1 pcs)</p>	<p>3</p>  <p>Right Headboard Leg (1 pcs)</p>
<p>4</p>  <p>Side Pull Box (6 pcs)</p>	<p>5</p>  <p>Back Panel Pull Box (3 pcs)</p>	<p>6</p>  <p>Stand in Pull Box (6 pcs)</p>
<p>7</p>  <p>Pull Box Bottom Board (3 pcs)</p>	<p>8</p>  <p>Wheel Board (2 pcs)</p>	

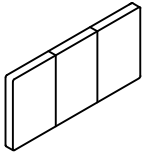
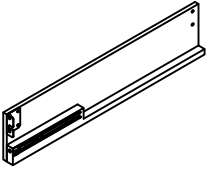
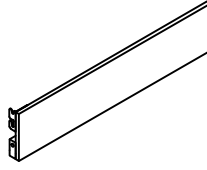
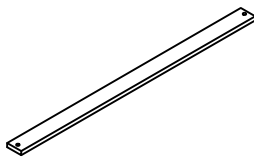
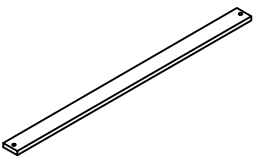
PART LIST BOX 3: WF 302060

<p>13</p>  <p>Left Lower Rail (1 pc)</p>	<p>14</p>  <p>Right Lower Rail (1pc)</p>	<p>15</p>  <p>Front Panel Trundle (1 pc)</p>
<p>16</p>  <p>Back Panel Trundle (1 pc)</p>	<p>17</p>  <p>Pull Box Bottom Board (3pcs)</p>	<p>18</p>  <p>Side Pull Box (1 pc)</p>
<p>19</p>  <p>Leg (2 pcs)</p>	<p>20</p>  <p>(m59x42mmx66mm) Wheels (4 pcs)</p>	<p>21</p>  <p>Center Rail (1 pc)</p>
<p>22</p>  <p>Slat Support With Leveler (3 pcs)</p>		


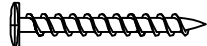
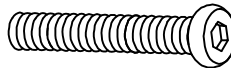

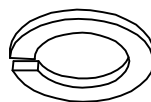

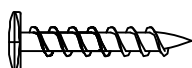
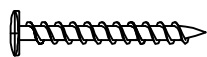
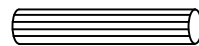


ASSEMBLY INSTRUCTIONS

WF 302058/ WF 302059/WF 302060

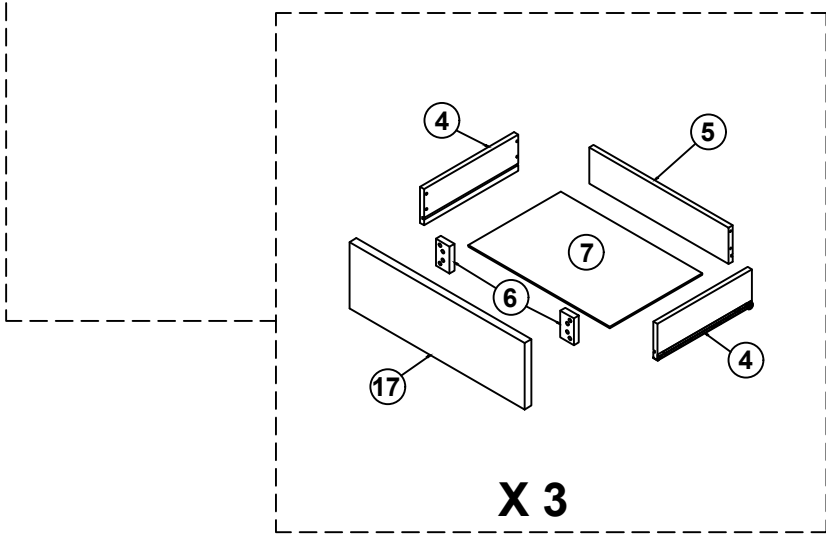
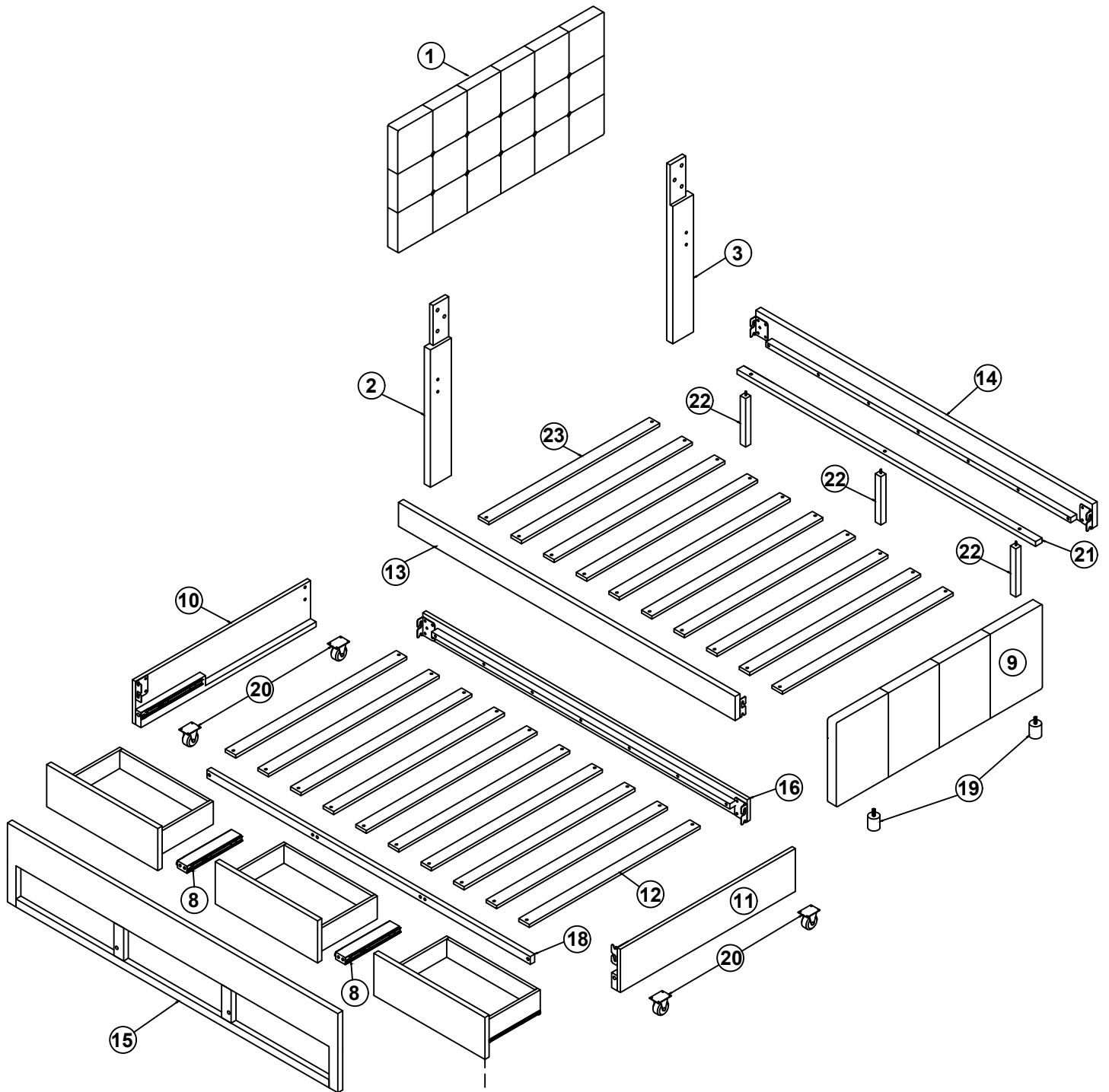
PART LIST BOX 2: WF 302059

<p>9</p>  <p>Footboard (1 pcs)</p>	<p>10</p>  <p>Left Trundle End Panel (1 pc)</p>	<p>11</p>  <p>Right Trundle End Panel (1 pc)</p>
<p>12</p>  <p>Roll Slat (10 pcs) 985*60*15</p>	<p>23</p>  <p>Roll Slat (10 pcs) 1365*60*15</p>	

HARDWARE LIST IN WF 302060

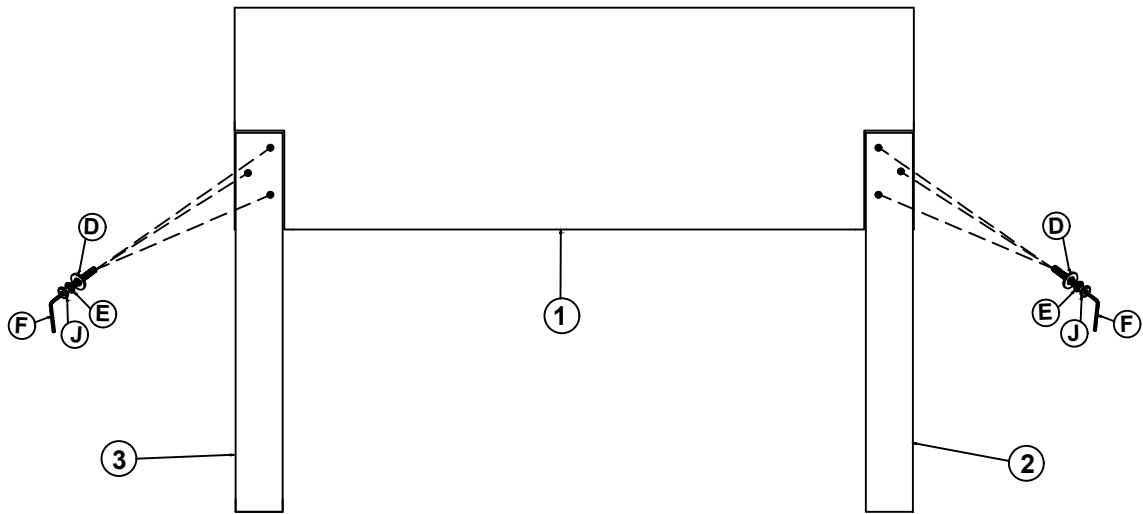
<p>A</p>  <p>(Ø 5/16 "X20mm) Short Bolt (16 pcs)</p>	<p>B</p>  <p>(m4x30mm-RBW) Flat Head Screw (56 pcs)</p>	<p>C</p>  <p>(Ø 5/16 "X45mm) Long Bolt (8 pcs)</p>
<p>D</p>  <p>(Ø 5/16 "-RBW) Flat Washer (30 pcs)</p>	<p>E</p>  <p>(Ø 5/16 "-RBW) Spring Washer (30 pcs)</p>	<p>F</p>  <p>(M4x75mm x32mm) Allen Wrench (1 pc)</p>
<p>G</p>  <p>(m4x20mm-RBW) Flat Head Screw (16 pcs)</p>	<p>H</p>  <p>(m4x38mm-RBW) Flat Head Screw (24 pcs)</p>	<p>I</p>  <p>(Ø 10 X 40mm) Wood dowel (4 pcs)</p>
<p>J</p>  <p>(Ø 5/16 "X38mm) Long Bolt (6 pcs)</p>	<p>K</p>  <p>(Ø10x10mm x10mm) Plastic Button (24 pcs)</p>	





Exploded View



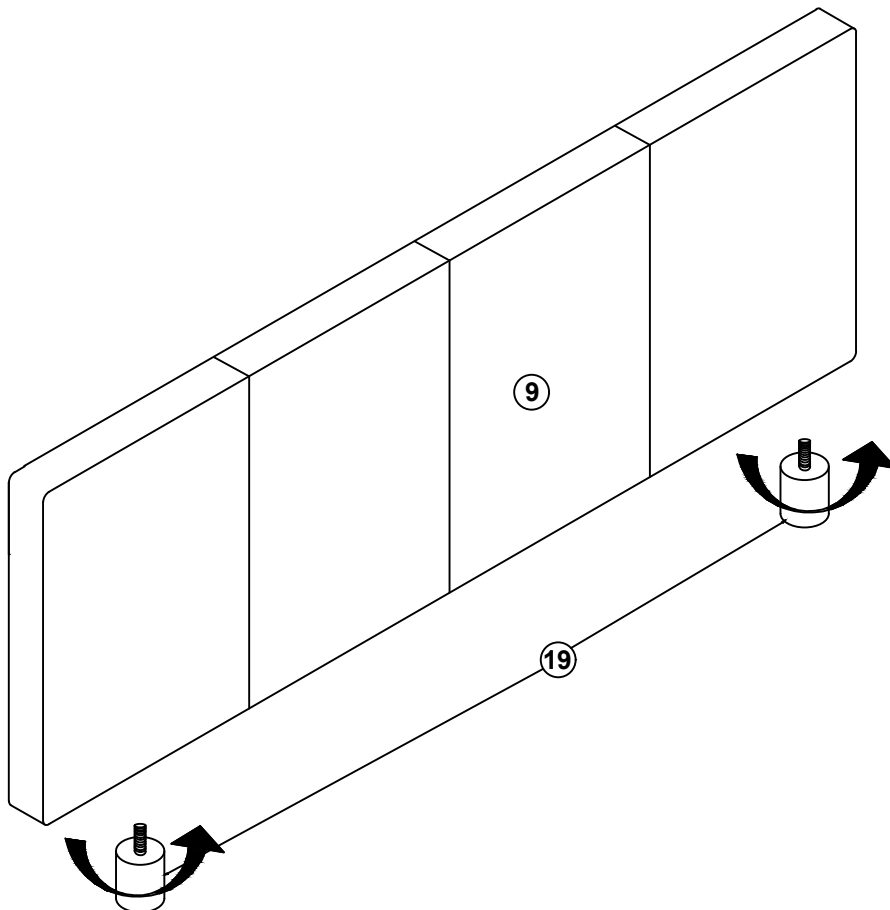
ASSEMBLY INSTRUCTIONS

STEP 1



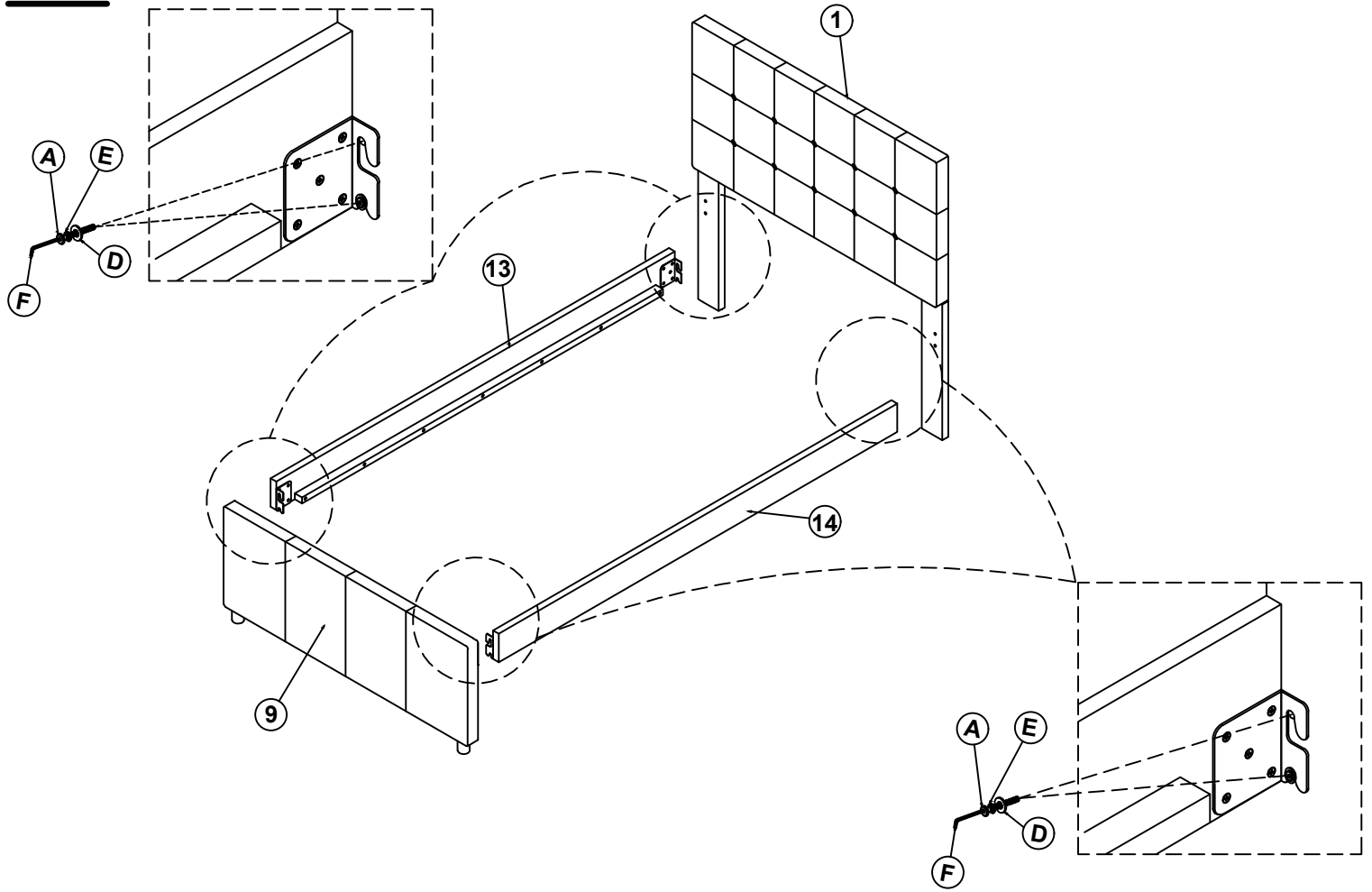
J	Bolt (Ø 5/16 "X38mm)		6pcs	D	Flat Washer (Ø 5/16 "-RBW)		6pcs
E	Spring Washer (Ø 5/16 "-RBW)		6pcs	F	Allen Wrench (M4x75mm x32mm)		1pc

STEP 2



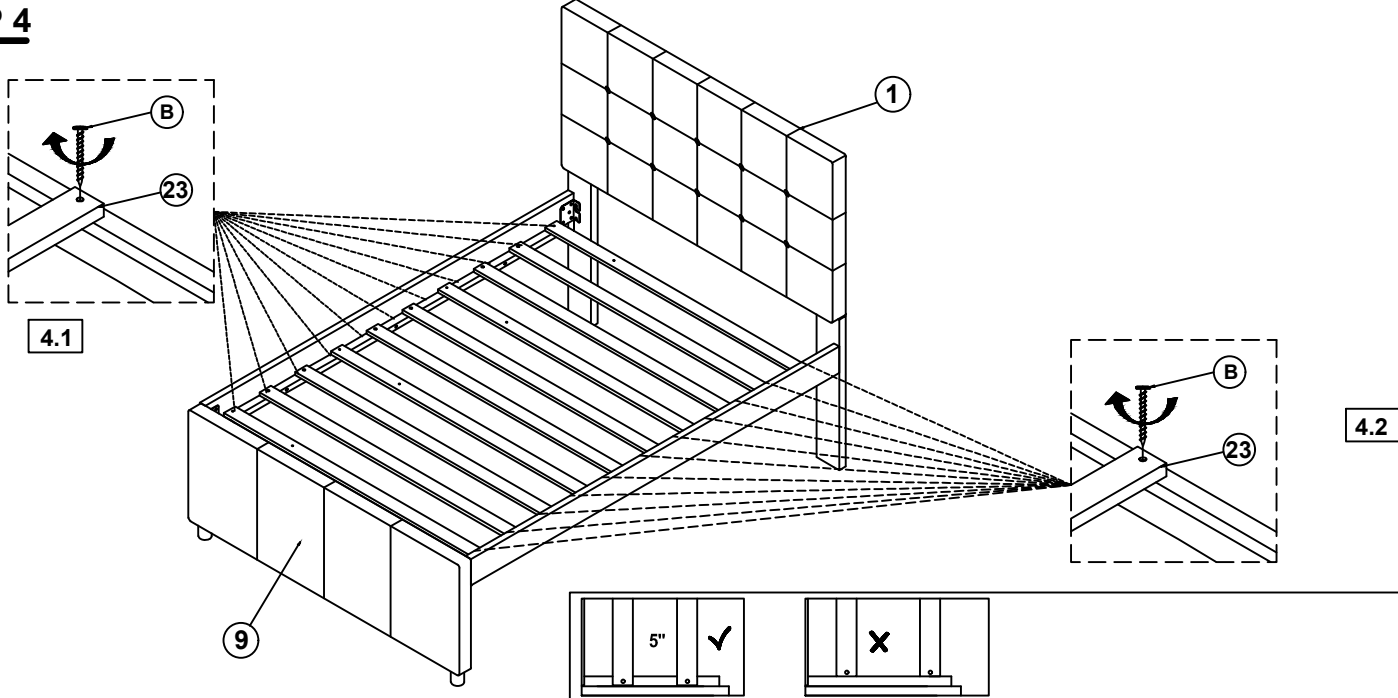
ASSEMBLY INSTRUCTIONS

STEP 3



A	Bolt (Ø 5/16 "X20mm)		8pcs	D	Flat Washer (Ø 5/16 "-RBW)		8pcs
E	Spring Washer (Ø 5/16 "-RBW)		8pcs	F	Allen Wrench (M4x75mm x32mm)		1pc

STEP 4

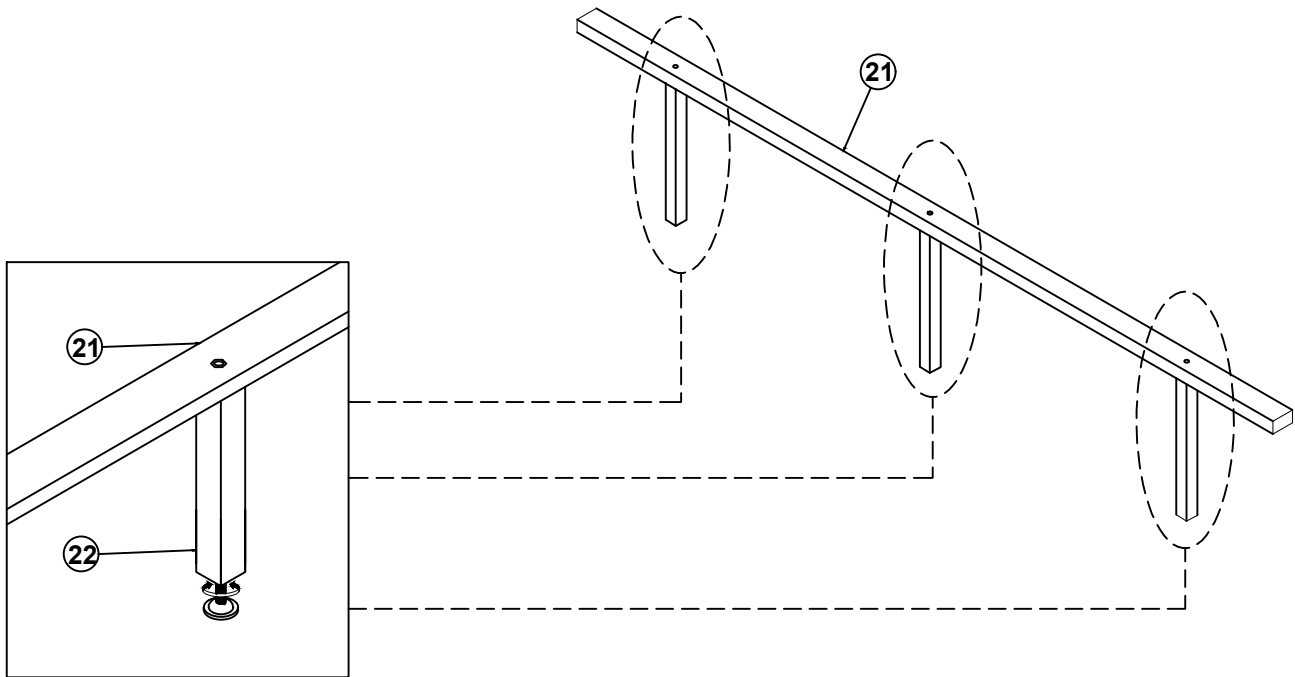


B	Flat Head Screw (m4x30mm-RBW)		20pcs
---	---	--	-------

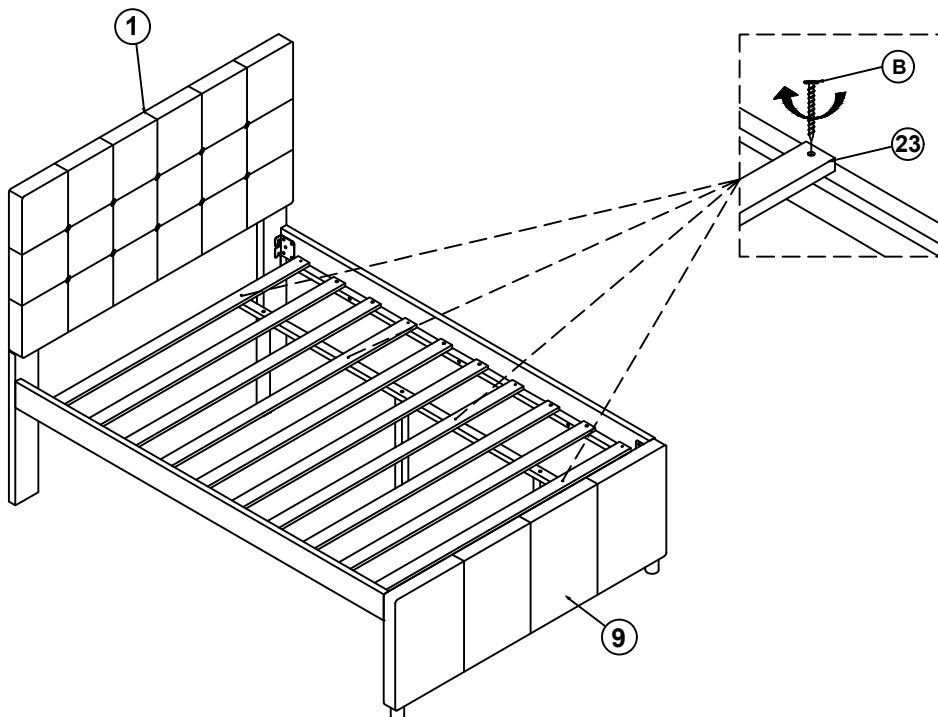
NOTE: Do not lock the screws of the trundle slats to the utermost edge the trundle slats,you need to leave a certain space at the edges, otherwise it will cause the board to break.

ASSEMBLY INSTRUCTIONS

STEP 5



STEP 6

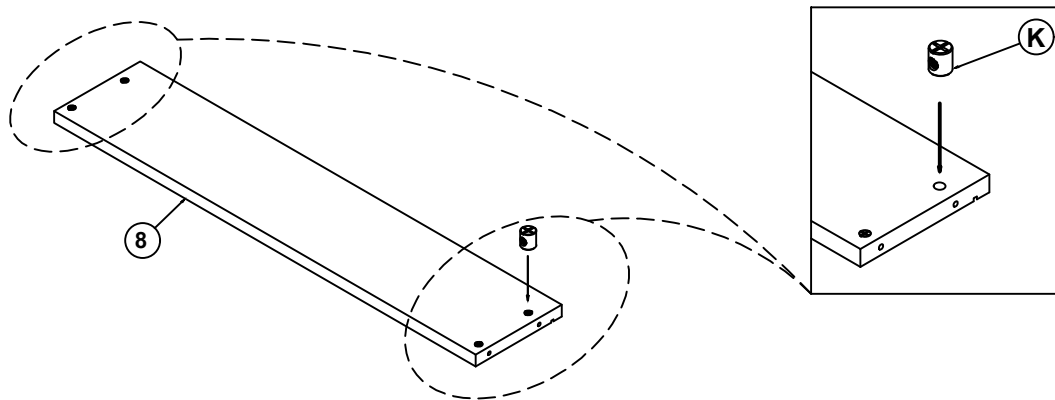


B	Flat Head Screw (m4x30mm-RBW)		4pcs
----------	---	---	-------------

ASSEMBLY INSTRUCTIONS

STEP 7

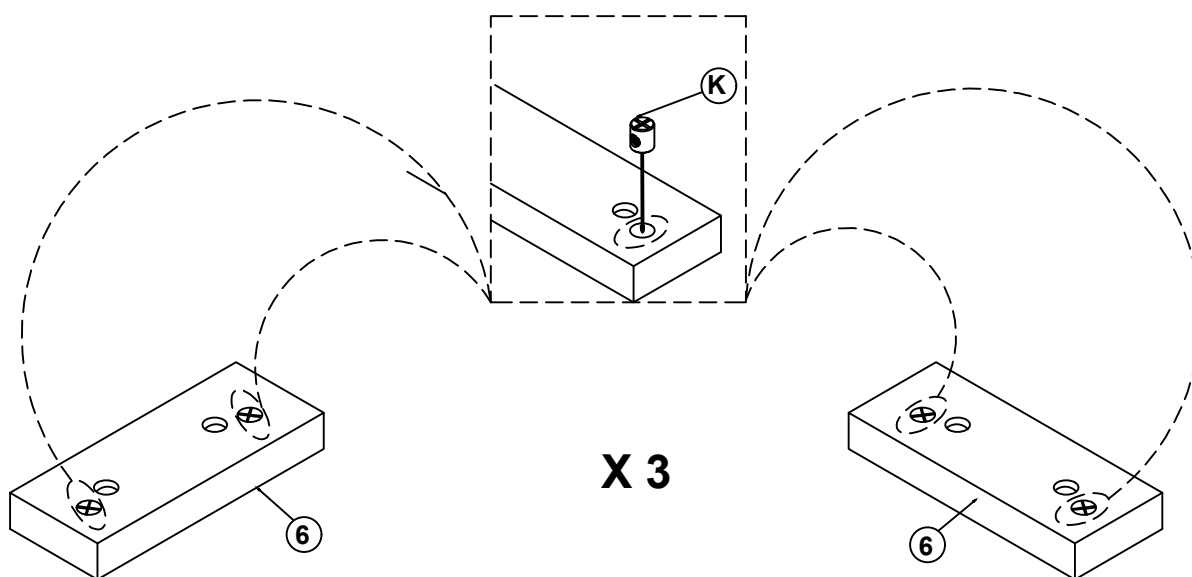
X 3



K	Plastic Button (Ø10x10mmx10mm)		12pcs
---	-----------------------------------	---	-------

STEP 8

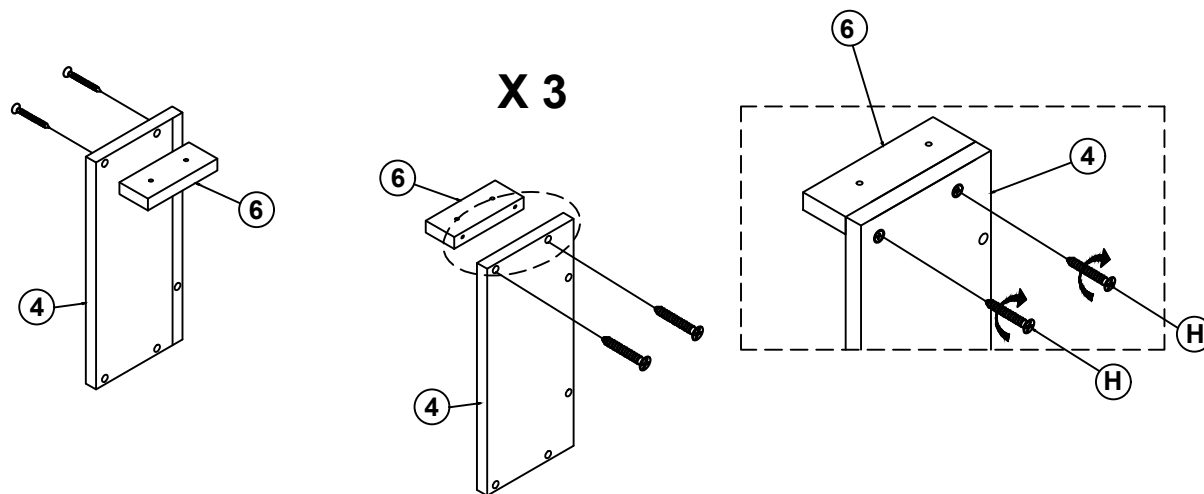
X 3

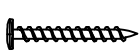


K	Plastic Button (Ø10x10mmx10mm)		12pcs
---	-----------------------------------	---	-------

STEP 9

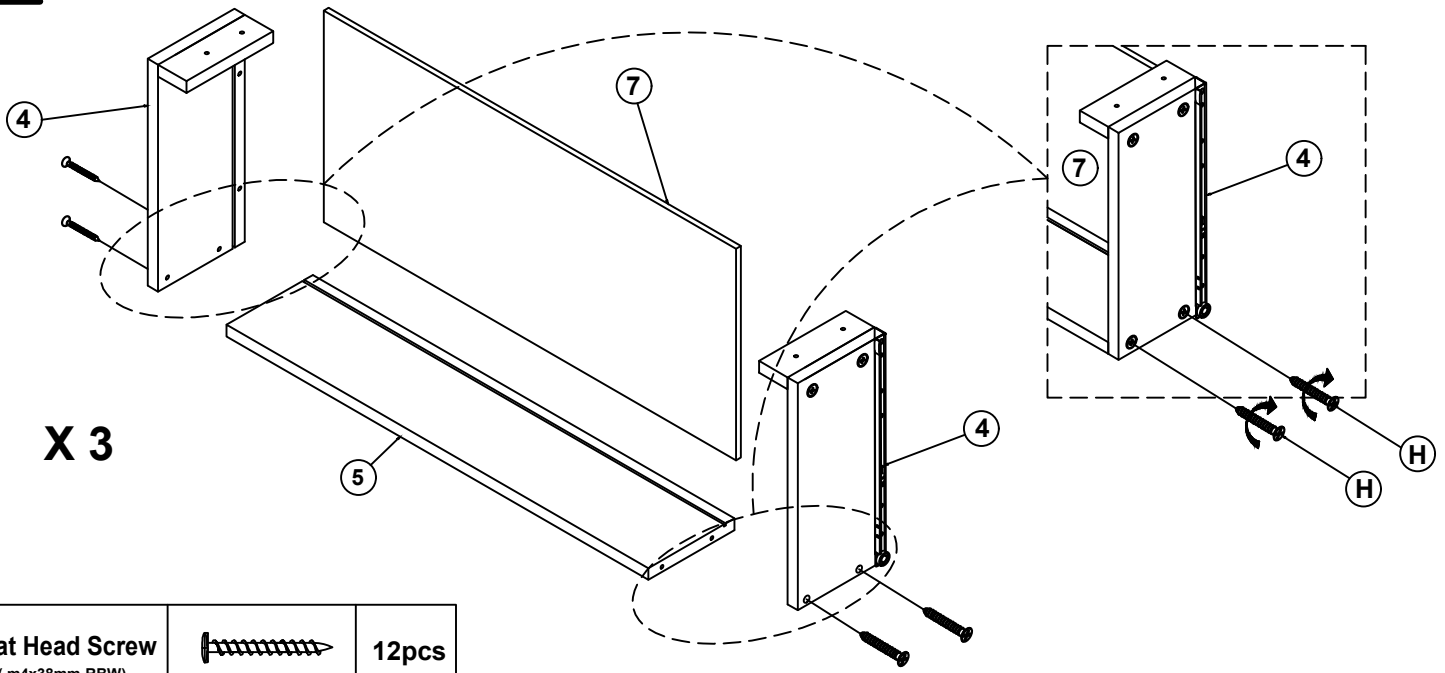
X 3



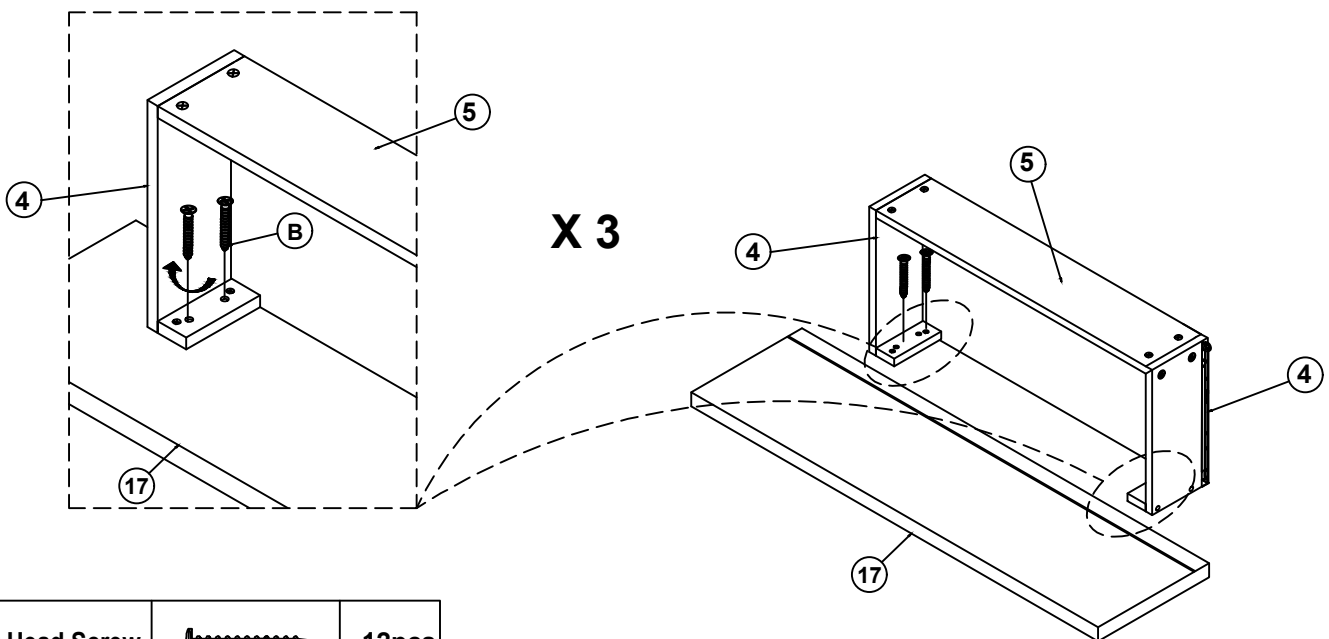
H	Flat Head Screw (m4x38mm-RBW)		12pcs
---	----------------------------------	---	-------

ASSEMBLY INSTRUCTIONS

STEP 10

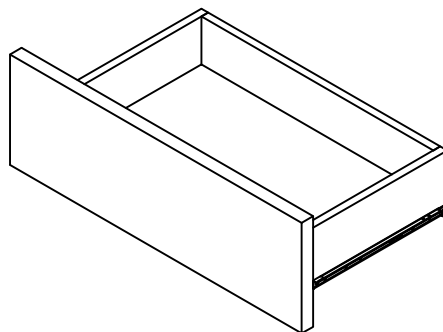


STEP 11



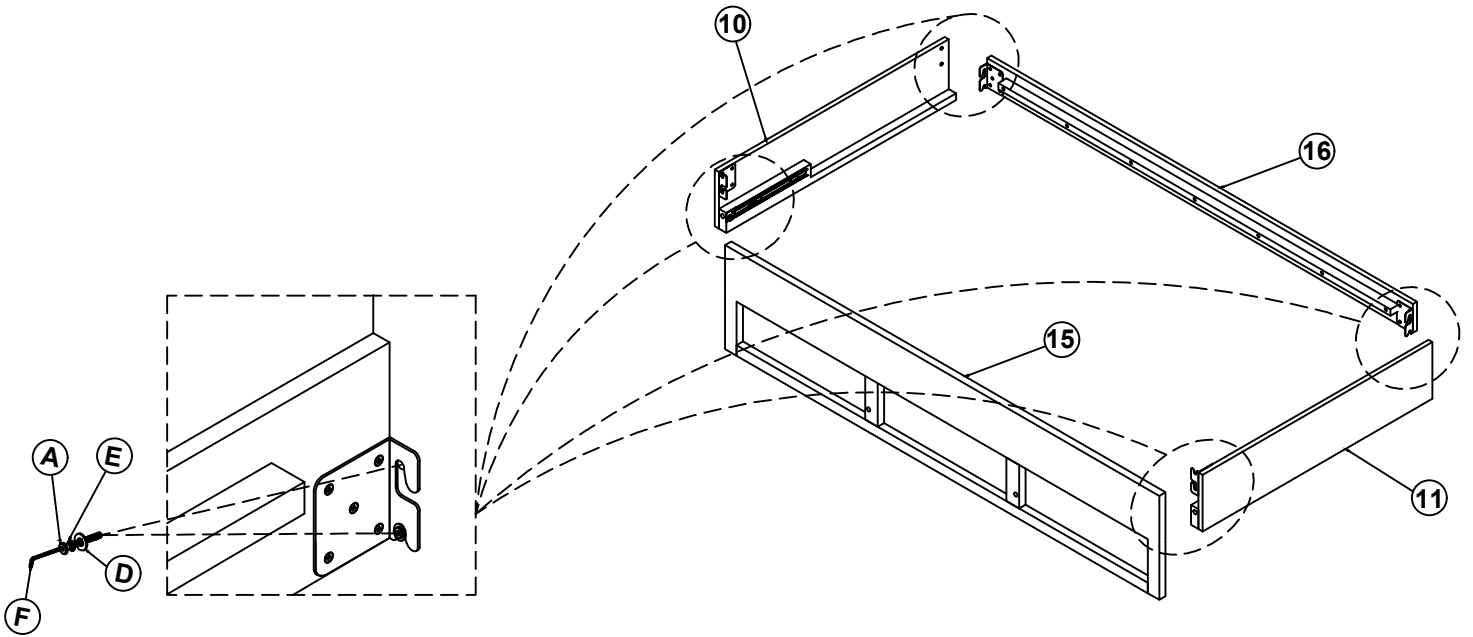
STEP 12





COMPLETE PULL BOX



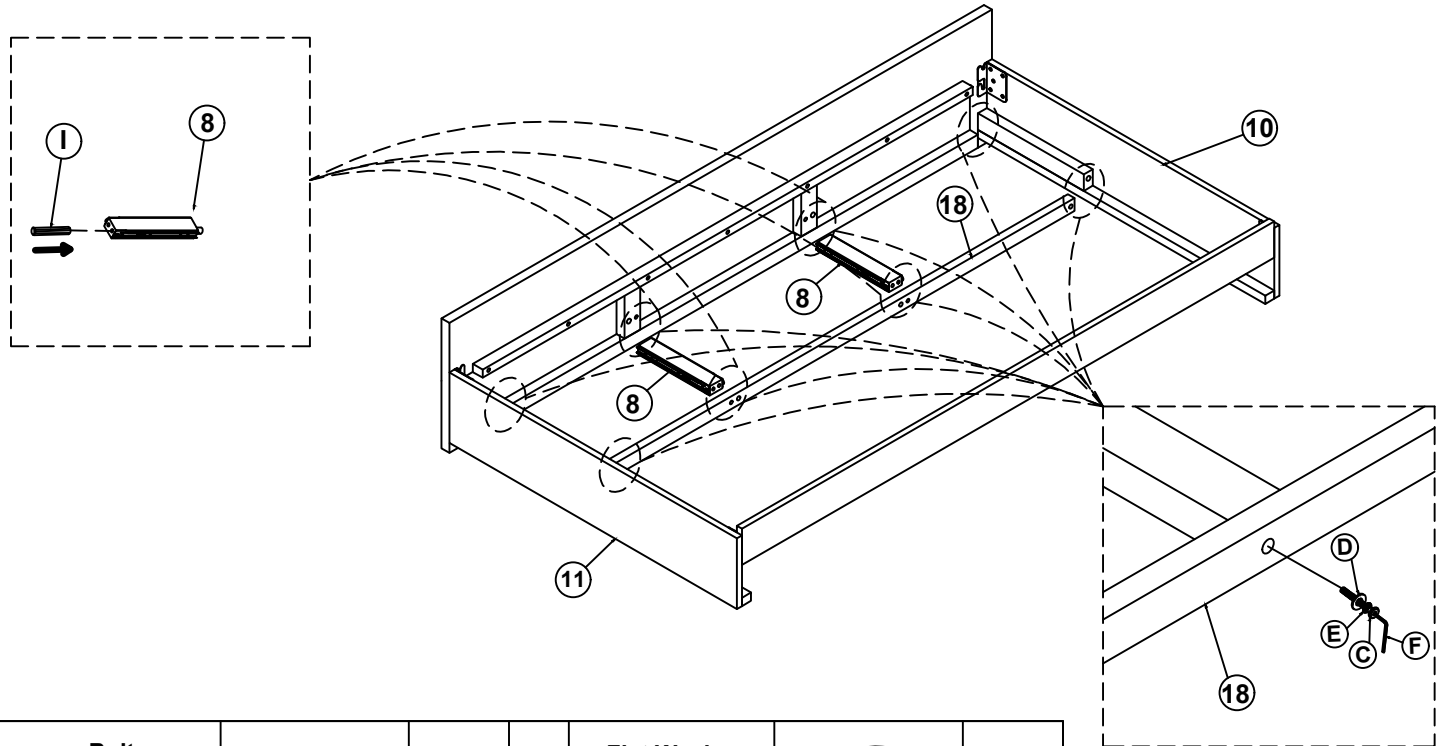
ASSEMBLY INSTRUCTIONS






STEP 13



A	Bolt (Ø 5/16 "X20mm)		8pcs	D	Flat Washer (Ø 5/16 "-RBW)		8pcs
E	Spring Washer (Ø 5/16 "-RBW)		8pcs	F	Allen Wrench (M4x75mm x32mm)		1pc

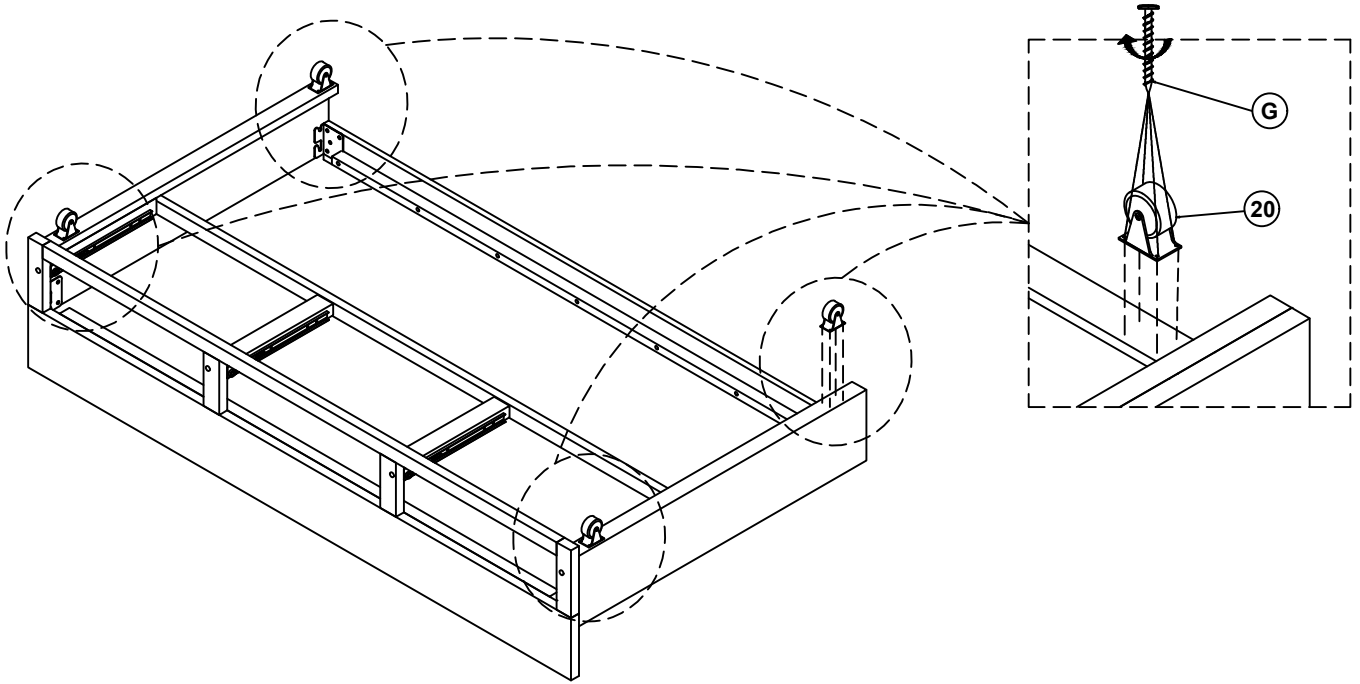
STEP 14



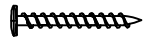
C	Bolt (Ø 5/16 "X45mm)		8pcs	D	Flat Washer (Ø 5/16 "-RBW)		8pcs
E	Spring Washer (Ø 5/16 "-RBW)		8pcs	F	Allen Wrench (M4x75mm x32mm)		1pc
I	Wood dowel (Ø 10 X 40mm)		4pcs				

ASSEMBLY INSTRUCTIONS

STEP 15

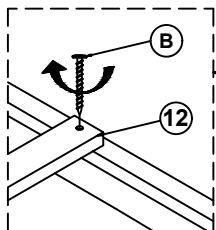


G Flat Head Screw
(m4x20mm-RBW)

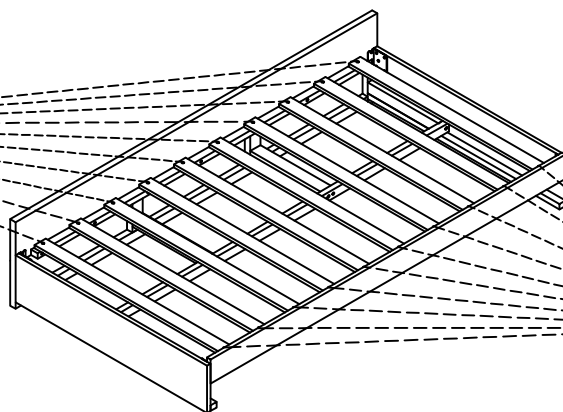


16pcs

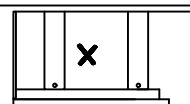
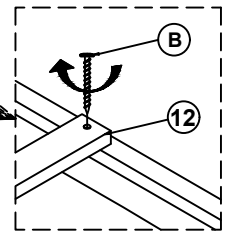
STEP 16



13.1

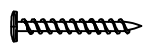


13.2



NOTE: Do not lock the screws of the trundle slats to the utermost edge the trundle slats,you need to leave a certain space at the edges, otherwise it will cause the board to break.

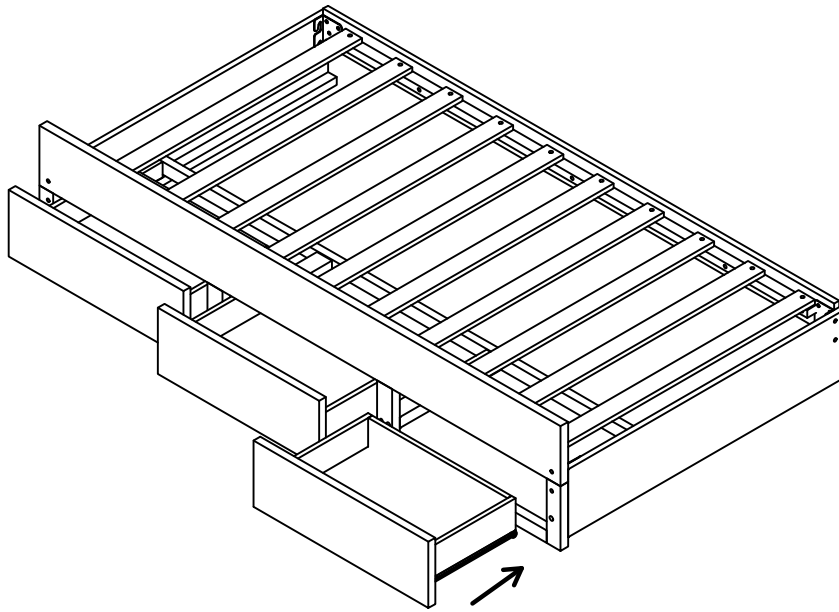
B Flat Head Screw
(m4x30mm-RBW)



20pcs

ASSEMBLY INSTRUCTIONS

STEP 17



STEP 18 COMPLETE

