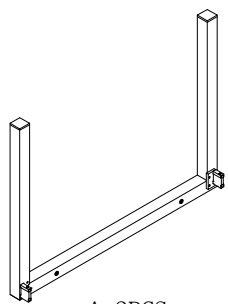
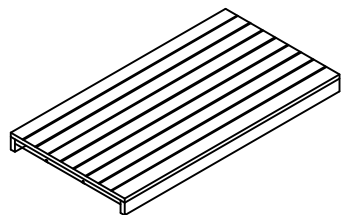


DINING TABLE



A: 2PCS



B: 1PCS



C: M6*20*4PCS



D: M6*25*4PCS



E: M6*20*8PCS



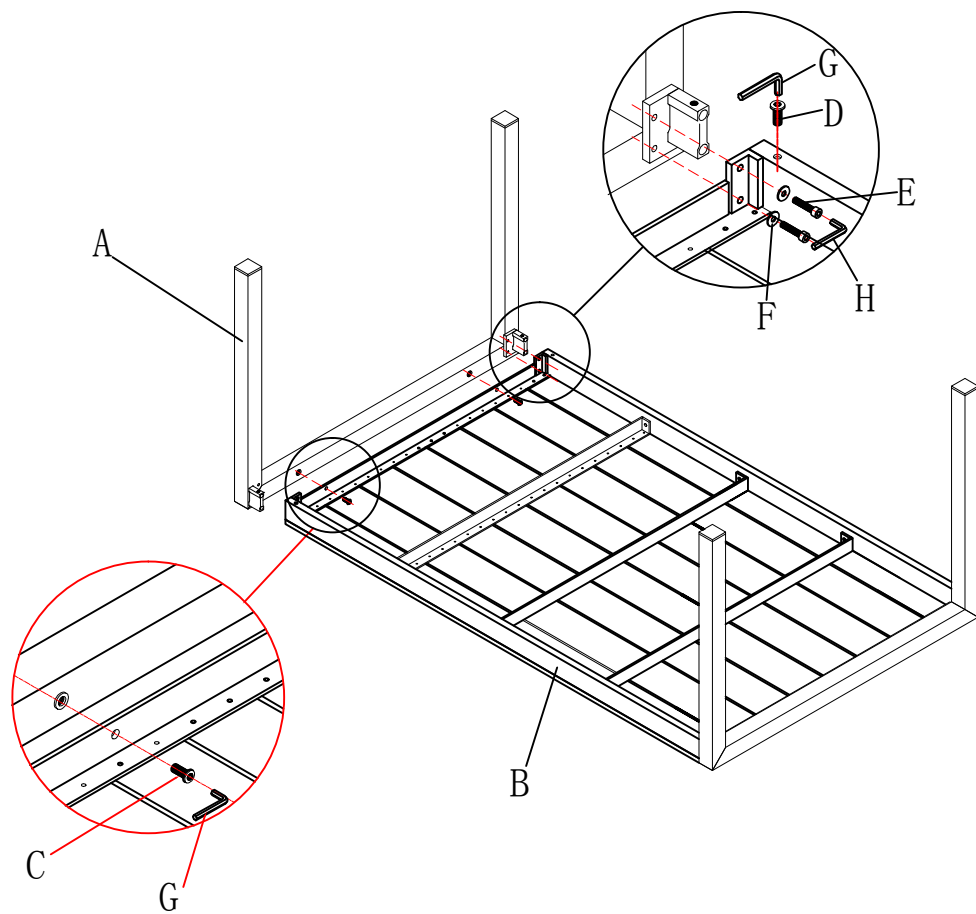
F: $\phi 16 * \phi 6.5 * 1.0 * 8$ PCS



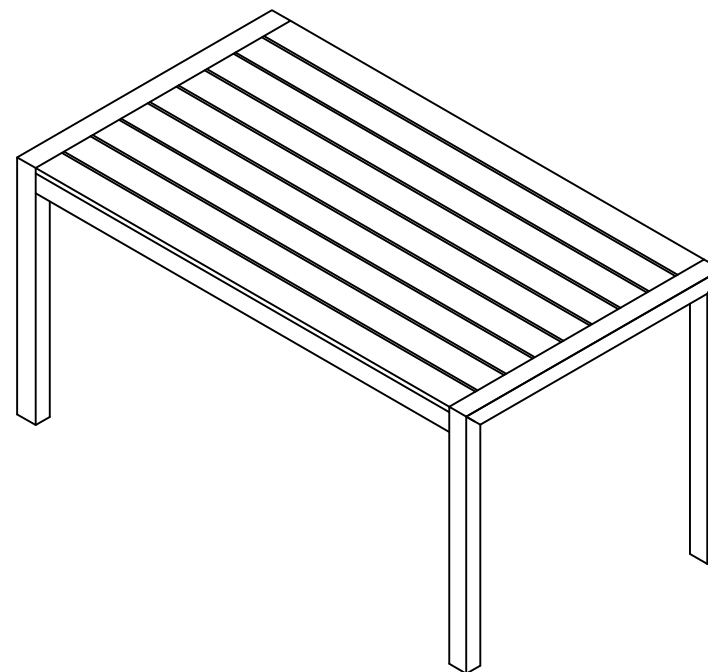
G: 4MM*1PCS



H: 5MM*1PCS



1



2