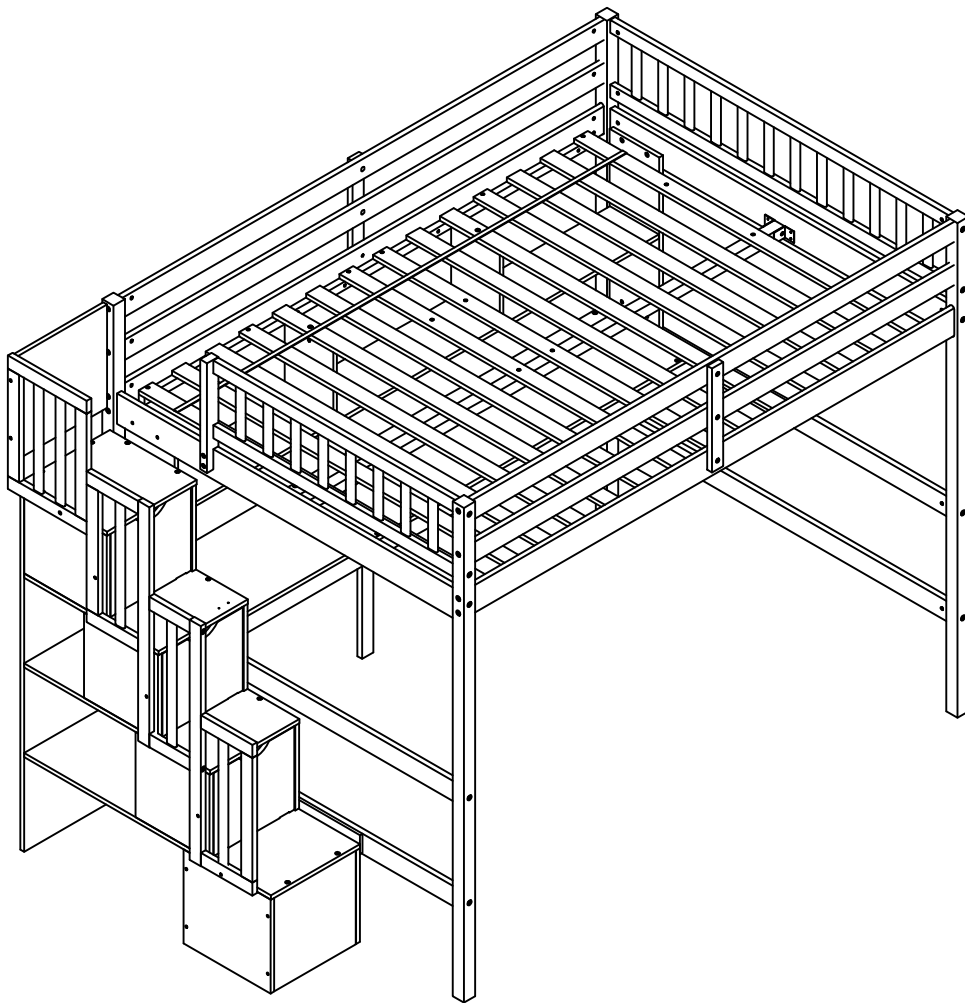


ASSEMBLY INSTRUCTIONS

FULL LOFT BED WITH DESK, STAIRCASES





SAFETY WARNING



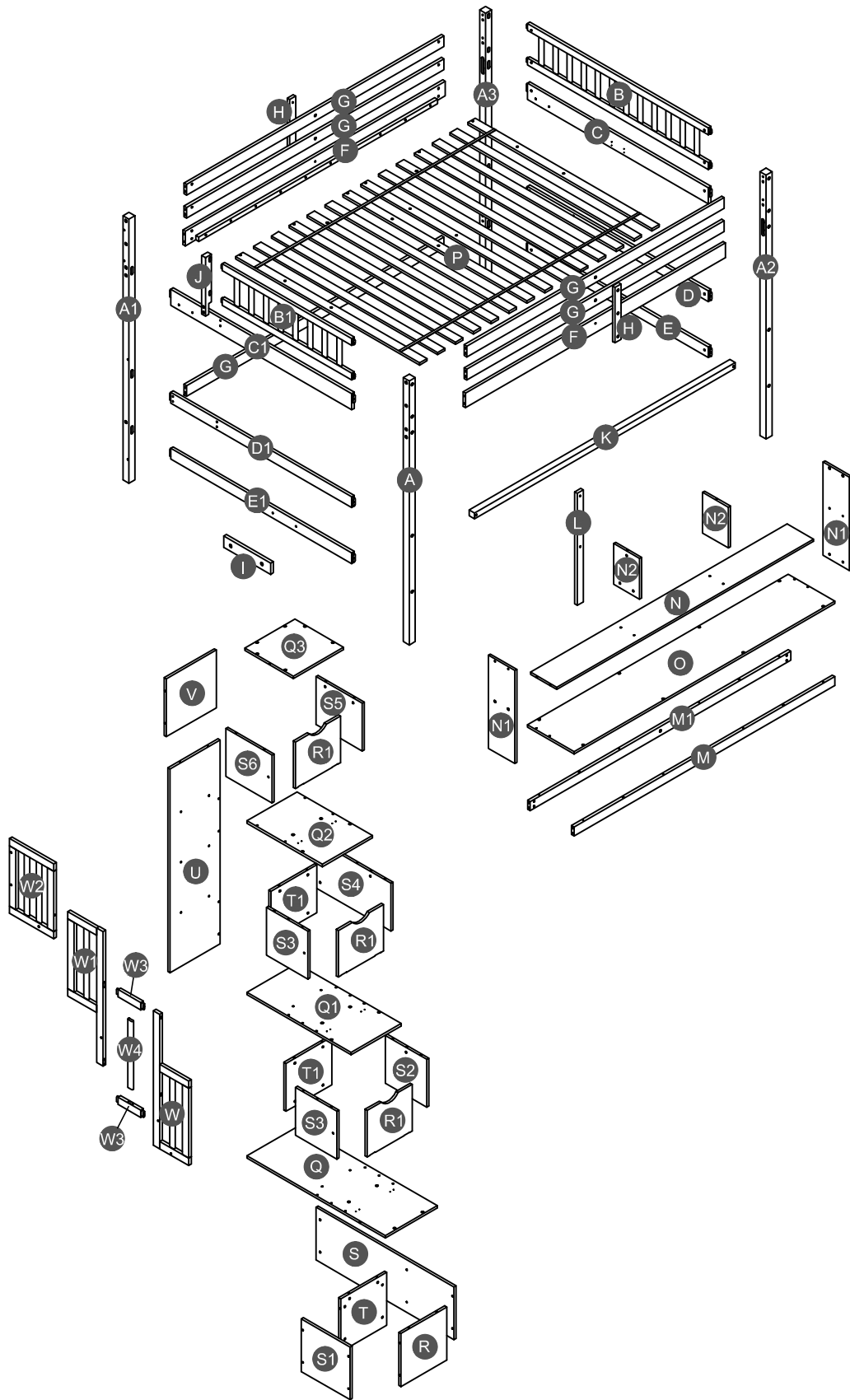
1. This bed is designed for use only mattress (es) meeting the following specifications on the upper bunk, and lower bunk:

Up bed (Bunk bed and tribed included)

Bed type	Length	Width	Thickness
Full Standard	74"-75"	54"	6" max

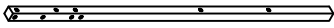
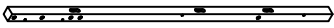

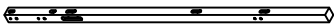







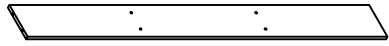

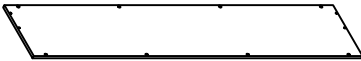


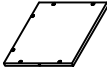


2. Replacement parts, including additional guardrails, maybe obtained from any of our dealers of GigaCloud Technology , USA /18961 ARENTH AVENUE,CITY OF INDUSTRY, CA, 91748
3. Follow the information on the warnings appearing on the upper bunk bed end structure and on the carton. Do not remove warning label from bed.
4. Always use the recommended size mattresses or mattress supports, or both, to help prevent the likelihood of entrapment or falls.
5. Surface of mattress must be at least 5" (127mm) below the upper edge of guardrails.
6. Do not allow children under 6 years of age to use the upper bunk.
7. Periodically check and ensure that the guardrail, ladder, and other components are in their proper position, free from damage, and that all connectors are tight.
8. Do not allow horseplay on or under the bed and prohibit jumping on the bed.
9. Always use the ladder for entering and leaving the upper bunk.
10. Do not use substitute part. Contact the manufacture or dealer for replacement part.
11. Use of a night light may provide added safety precaution for a child using the upper bunk.
12. Always use guardrails on both long sides of the upper bunk. If the bunk bed will be placed next to the wall, the guardrail that runs the full length of the bed should be placed against the wall to prevent entrapment between the bed and wall.
13. The use of water or sleep flotation mattresses is prohibited.
14. STRANGULATION HAZARD - Never attach or hang items to any part of the bunk bed that are not designed for use with the bed; for example, but not limited to, hook, belts and jump ropes.
15. Keep these instruction for future reference.
16. Prohibit more than one person on upper bunk
17. We recommend assembling your bunk bed on the shipping carton to protect your floor or carpet.
18. Be certain all staples are out of the box before beginning assembly on the shipping carton.

Detail View



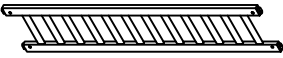
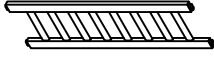
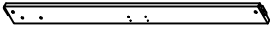
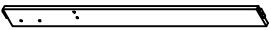
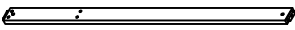
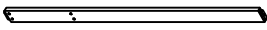


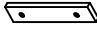

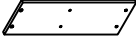
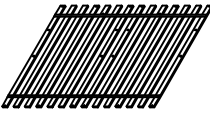
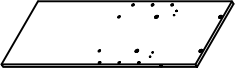





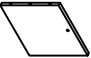
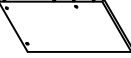






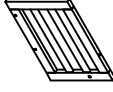

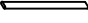
Part List

ILA11781 (1-2)

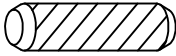
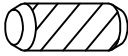
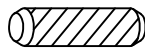
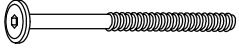
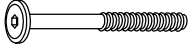
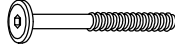
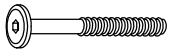





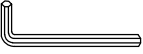

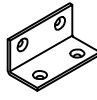

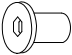
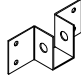
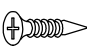

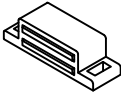
<p>A</p>  <p>Leg FB (Left Front) - 1pc</p>	<p>A1</p>  <p>Leg FB (Left Back) - 1pc</p>	<p>A2</p>  <p>Leg HB (Right Front) - 1pc</p>
<p>A3</p>  <p>Leg HB (Right Back) - 1pc</p>	<p>F</p>  <p>Side rail - 2pcs</p>	<p>G</p>  <p>Long guard rail - 5pcs</p>
<p>H</p>  <p>Vertical guard rail - 2pcs</p>	<p>K</p>  <p>Lower support slat - 1pc</p>	<p>L</p>  <p>Support middle lower back - 1pc</p>
<p>M</p>  <p>Lower horizontal bar (Front) - 1pc</p>	<p>M1</p>  <p>Lower horizontal bar (Back) - 1pc</p>	<p>N</p>  <p>Shelf panel - 1pc</p>
<p>N2</p>  <p>Divider panel - 2pcs</p>	<p>O</p>  <p>Top panel - 1pc</p>	<p>Q1</p>  <p>Lower center step ladder panel - 1pc</p>
<p>Q2</p>  <p>Upper center step ladder panel - 1pc</p>	<p>Q3</p>  <p>Upper step ladder panel - 1pc</p>	<p>U</p>  <p>Back panel - 1pc</p>
<p>V</p>  <p>Upper guard back - 1pc</p>		

Part List

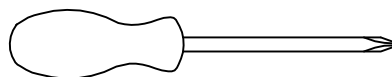
Hardware List ILA11781 (2-2)

<p>B</p>  <p>Frame HB - 1pc</p>	<p>B1</p>  <p>Frame FB - 1pc</p>	<p>C</p>  <p>Upper horizontal bar HB - 1pc</p>
<p>C1</p>  <p>Upper horizontal bar FB - 1pc</p>	<p>D</p>  <p>Divider horizontal bar HB - 1pc</p>	<p>D1</p>  <p>Divider horizontal bar FB - 1pc</p>
<p>E</p>  <p>Lower horizontal bar HB - 1pc</p>	<p>E1</p>  <p>Lower horizontal bar FB - 1pc</p>	<p>I</p>  <p>Support - 1pc</p>
<p>J</p>  <p>Support guard rail (Left) -1pc</p>	<p>N1</p>  <p>Side panel - 2pcs</p>	<p>P</p>  <p>Slat - 1set = 14pcs</p>
<p>Q</p>  <p>Lower step ladder panel -1pc</p>	<p>R</p>  <p>Lower front panel - 1pc</p>	<p>R1</p>  <p>Upper front panel - 3pcs</p>
<p>S</p>  <p>Lower right side panel - 1pc</p>	<p>S1</p>  <p>Lower left side panel - 1pc</p>	<p>S2</p>  <p>Lower center right side panel - 1pc</p>
<p>S3</p>  <p>Center left side panel - 2pcs</p>	<p>S4</p>  <p>Upper center right side panel - 1pc</p>	<p>S5</p>  <p>Upper right side panel - 1pc</p>
<p>S6</p>  <p>Upper left side panel - 1pc</p>	<p>T</p>  <p>Lower back panel - 1pc</p>	<p>T1</p>  <p>Center back panel - 2pcs</p>
<p>W</p>  <p>Guard rail -1pc</p>	<p>W1</p>  <p>Guard rail -1pc</p>	<p>W2</p>  <p>Guard rail -1pc</p>
<p>W3</p>  <p>Guard rail - 2pcs</p>	<p>W4</p>  <p>Guard rail -1pc</p>	

Hardware List ILA11781 (2-2)



1	 Ø10*40mm Wood dowel (10pcs)	2	 Ø10*20mm Wood dowel (4pcs)	3	 Ø8*30mm Wood dowel (20pcs)
4	 (Ø15)1/4"*100mm Hex-Head bolts (18pcs)	5	 (Ø15)1/4"*80mm Hex-Head bolts (22pcs)	6	 (Ø12)1/4"*70mm Hex-Head bolts (2pcs)
7	 (Ø12)1/4"*60mm Hex-Head bolts (71pcs)	8	 (Ø12)1/4"*40mm Hex-Head bolts (2pcs)	9	 (Ø12)1/4"*35mm Hex-Head bolts (6pcs)
10	 (Ø12)1/4"*30mm Hex-Head bolts (13pcs)	11	 1/4"*15 (9.5mm) Horizontal-Hole bolts(112pcs)	12	 (Ø12)1/4"*40mm Hex-Head bolts (14pcs)
13	 (1/4")4.5*58mm Allen key (2pcs)	14	 Ø4*30mm Wood screws (16pcs)	15	 50*24*24*2mm Metal bracket (1pc)
16	 Ø3.5*15mm Wood screws (12pcs)	17	 (Ø13)1/4"*14mm Connect bolt (2pcs)	18	 116*40*27mm Metal bracket (2pcs)
19	 Ø3.5*12mm Wood screws (24pcs)	20	 42*12*1mm Metal magnet (3pcs)	21	 45*17*13mm Door catch (3pcs)

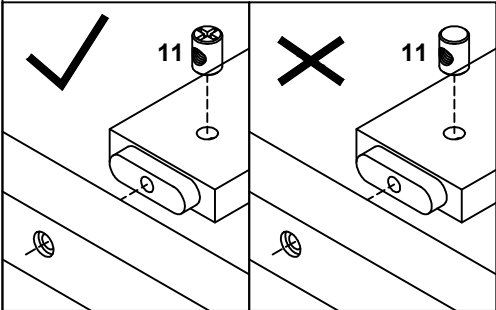
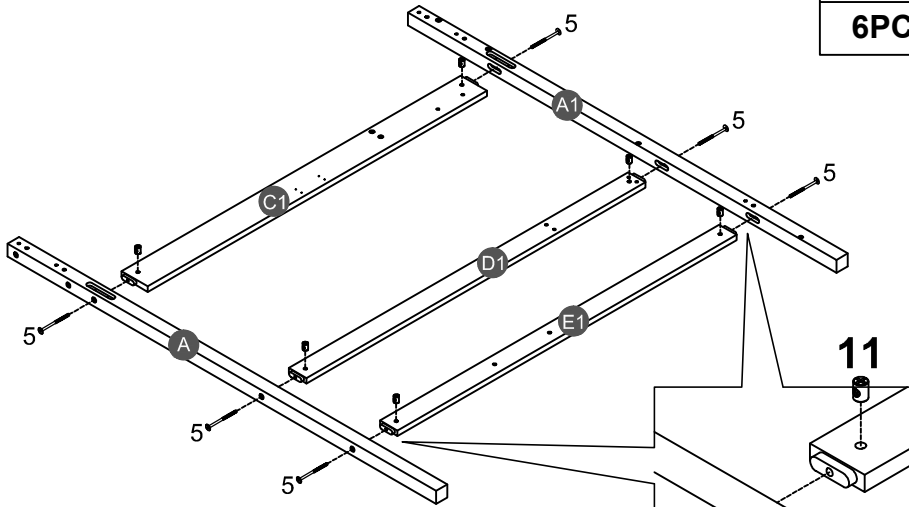
ASSEMBLY TOOLS REQUIRED (NOT INCLUDED)



PLEASE BE CAREFUL DO NOT DAMAGE THE HOLE POSITION WHEN YOU USE POWER TOOLS !



STEP 1:

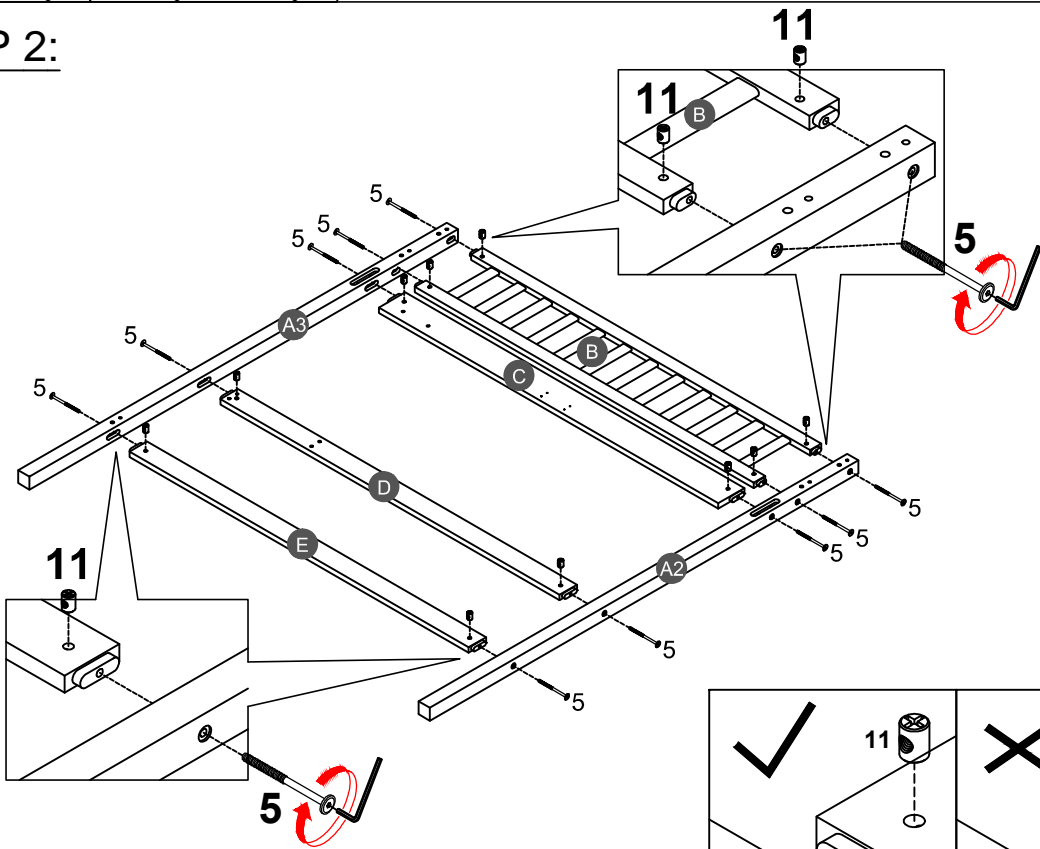
5		11	
6PCS		6PCS	



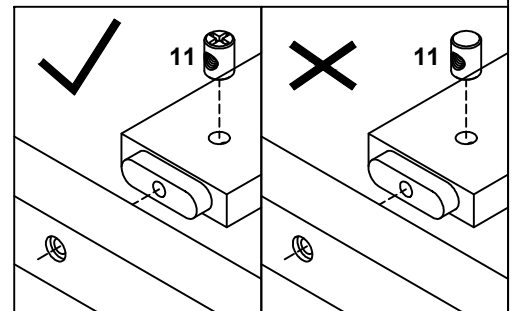
Note: Part 11 will face up with the "x" mark on it, otherwise it cannot be tightened

STEP 2:

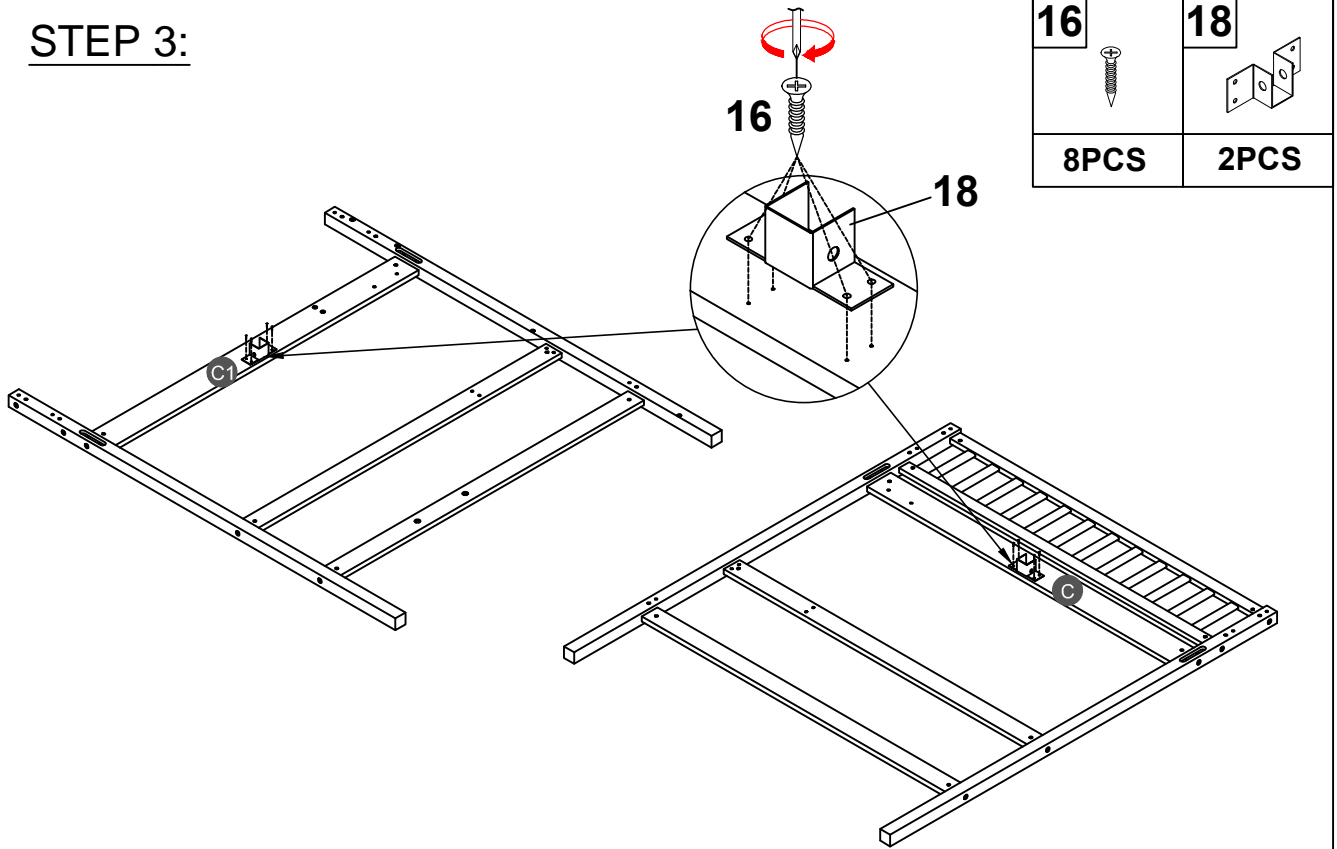
5	
10PCS	
11	
10PCS	



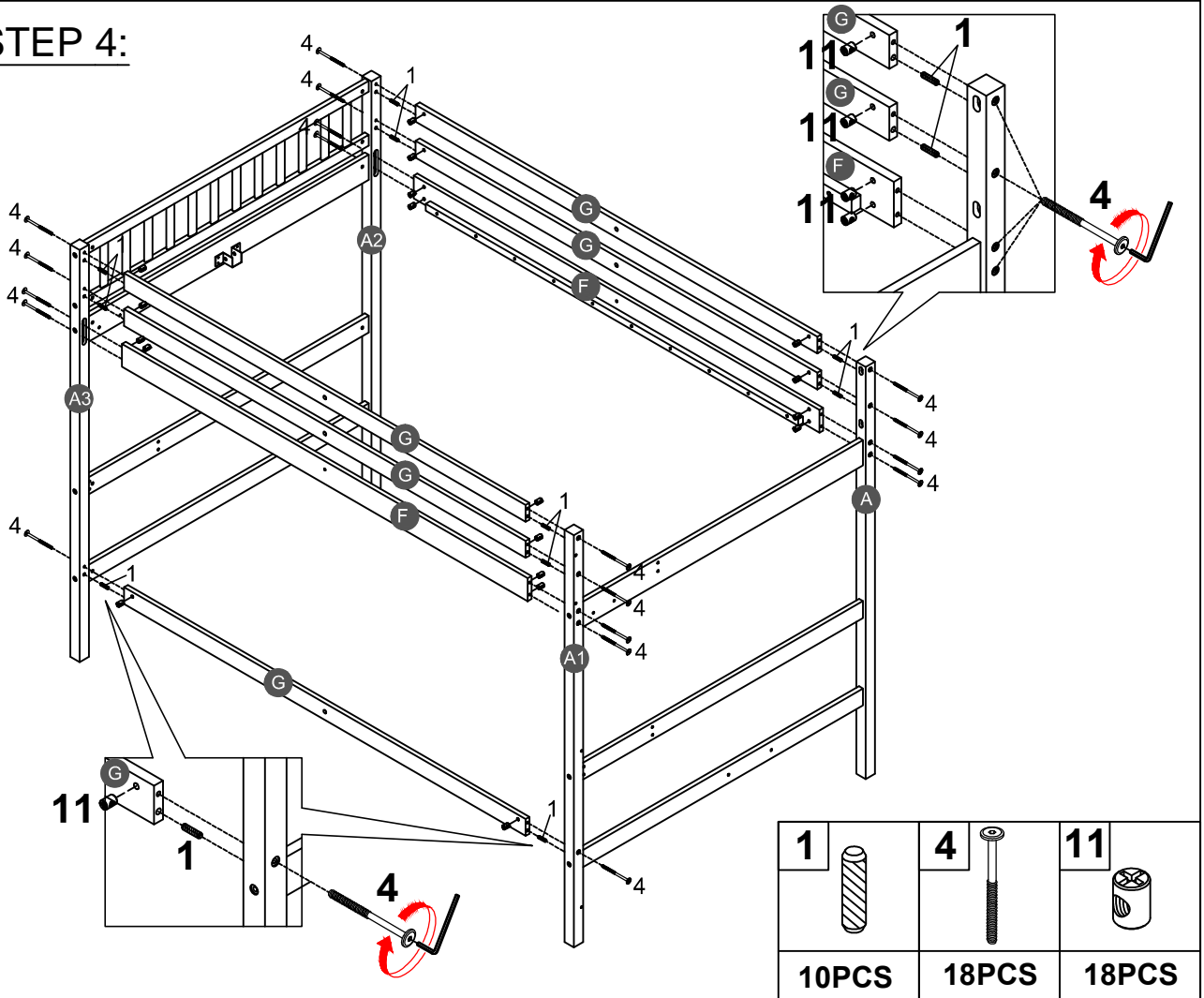
Note: Part 11 will face up with the "x" mark on it, otherwise it cannot be tightened



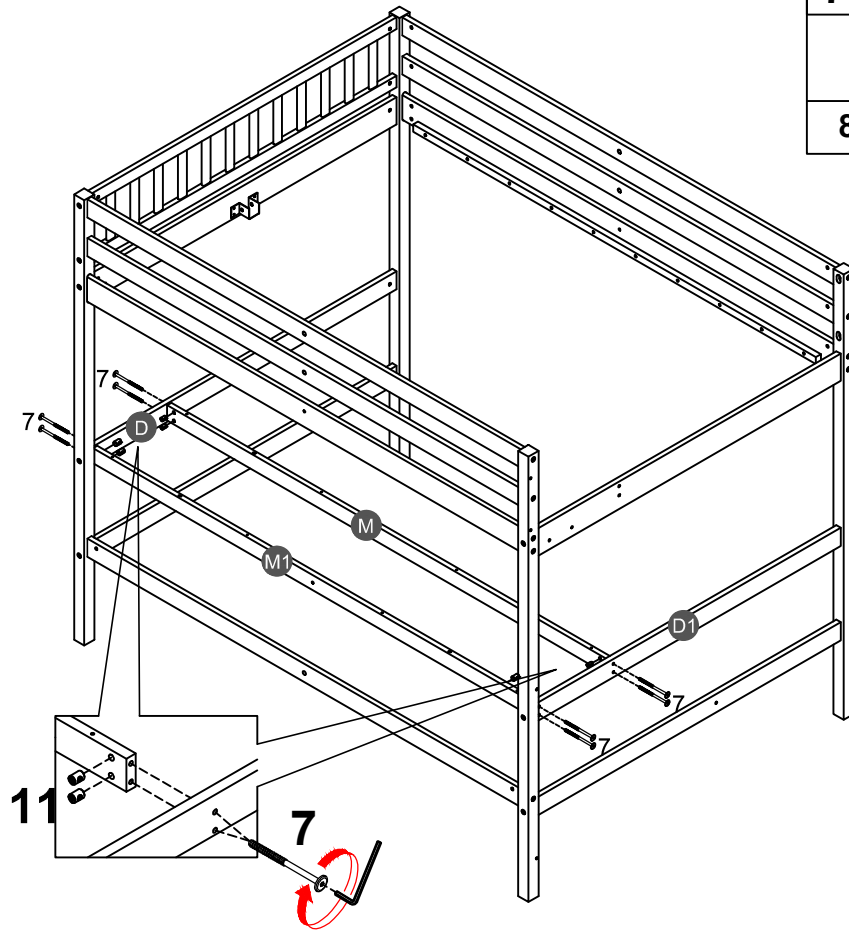
STEP 3:





STEP 4:

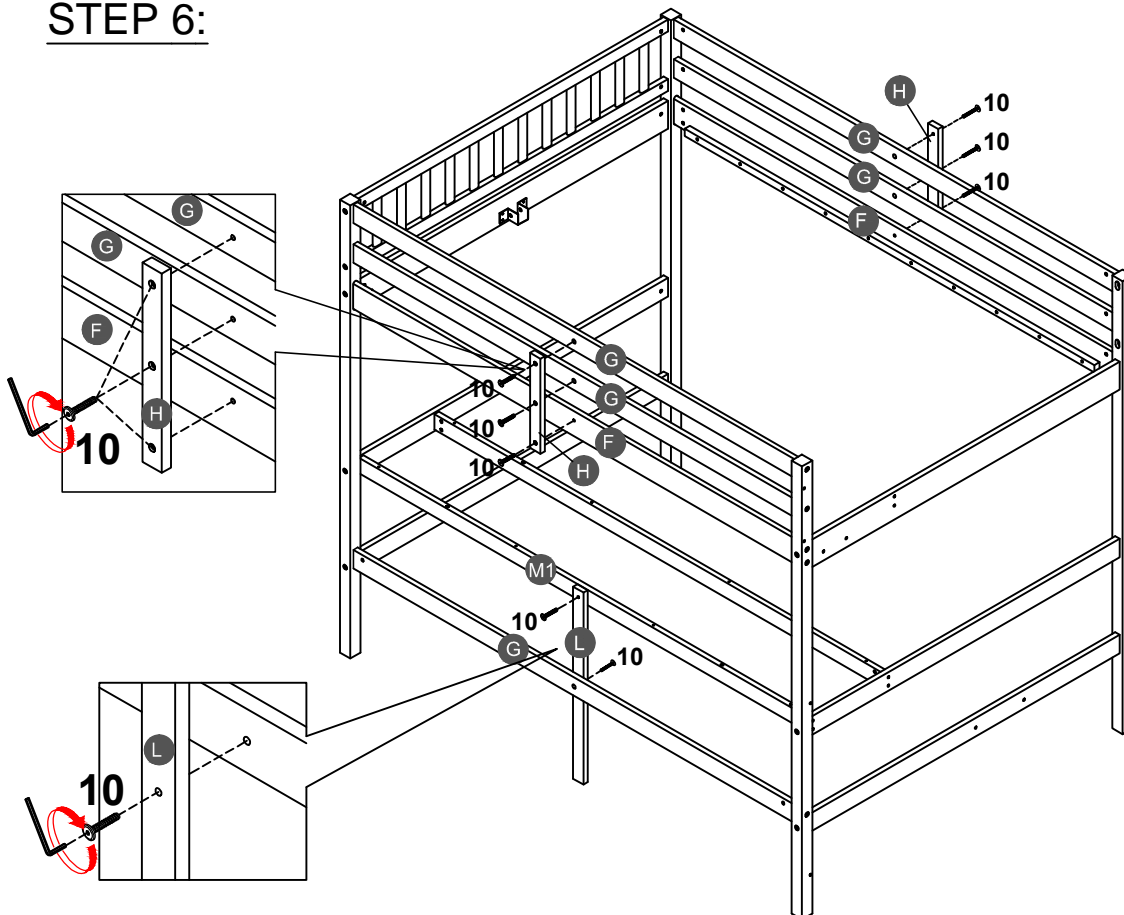



STEP 5:



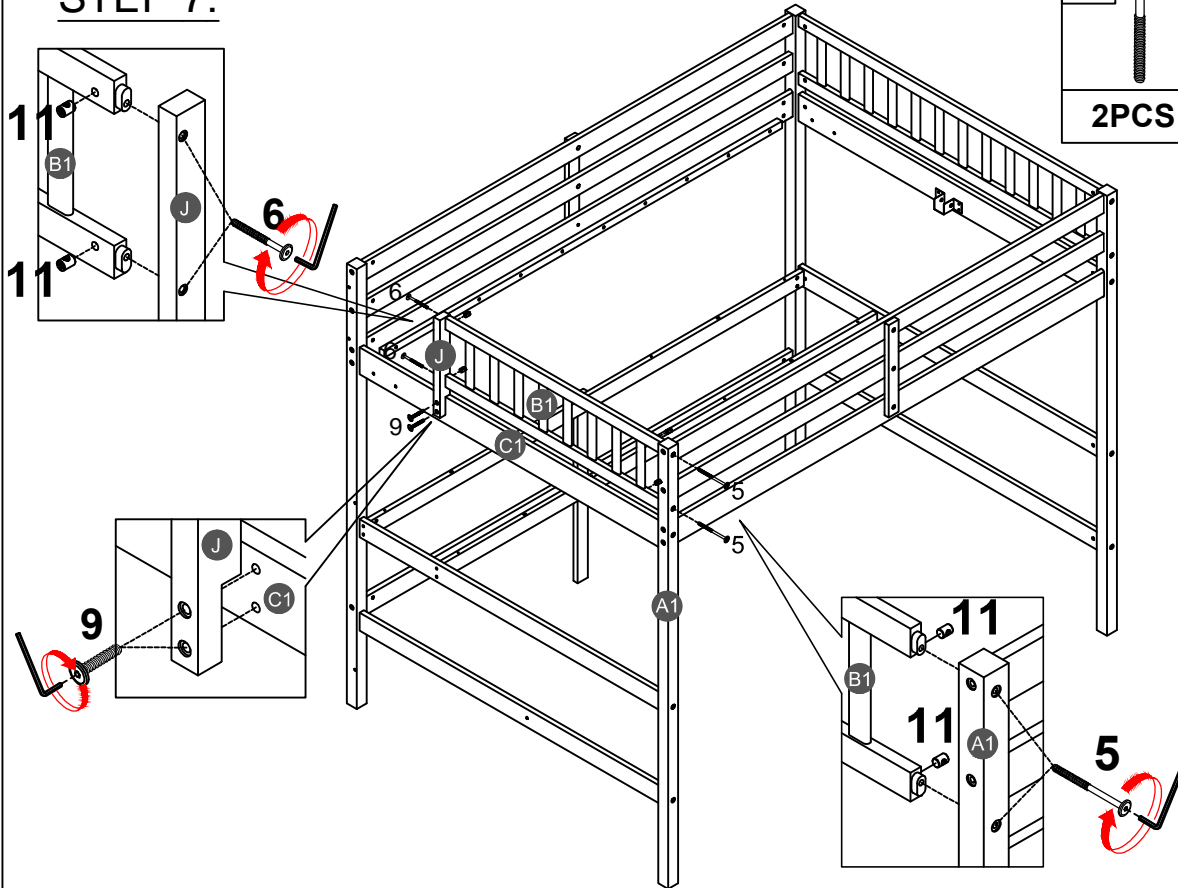
7		11	
8PCS		8PCS	





STEP 6:



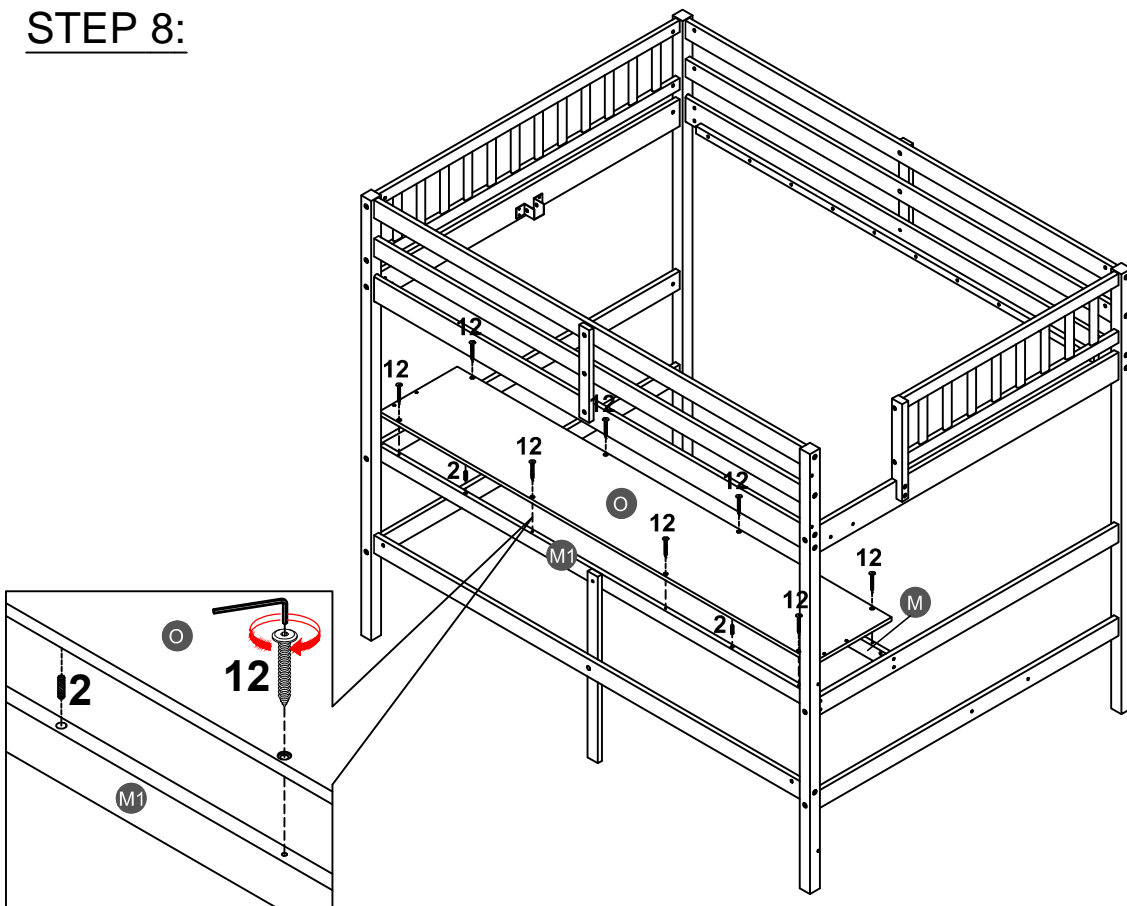
10	
8PCS	



STEP 7:



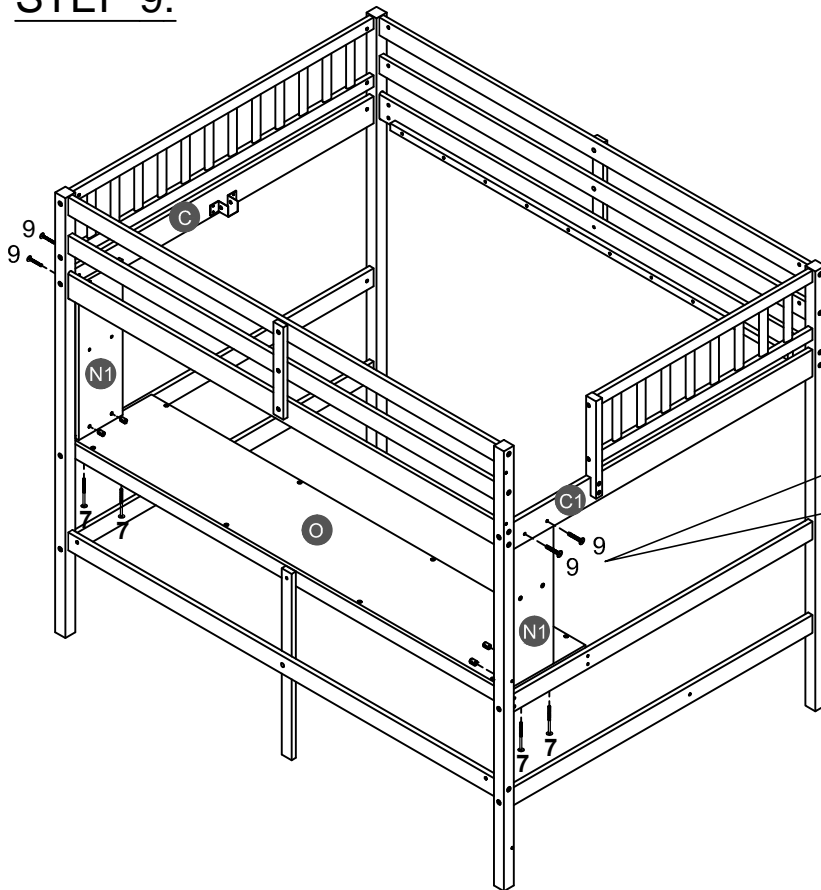
5		6	
2PCS		2PCS	
9			
2PCS			
11			
4PCS			




STEP 8:

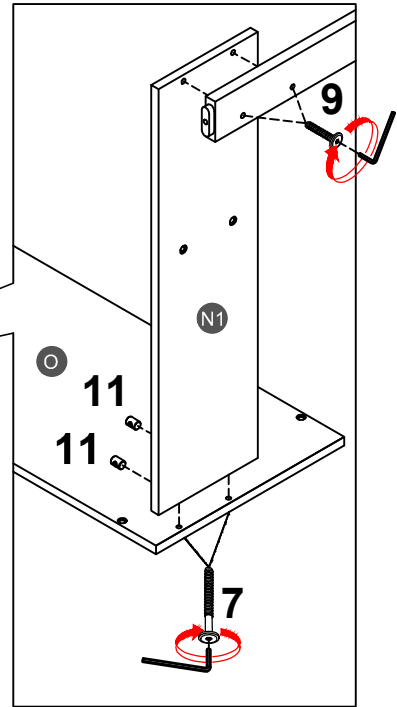


2	
4PCS	
12	
8PCS	

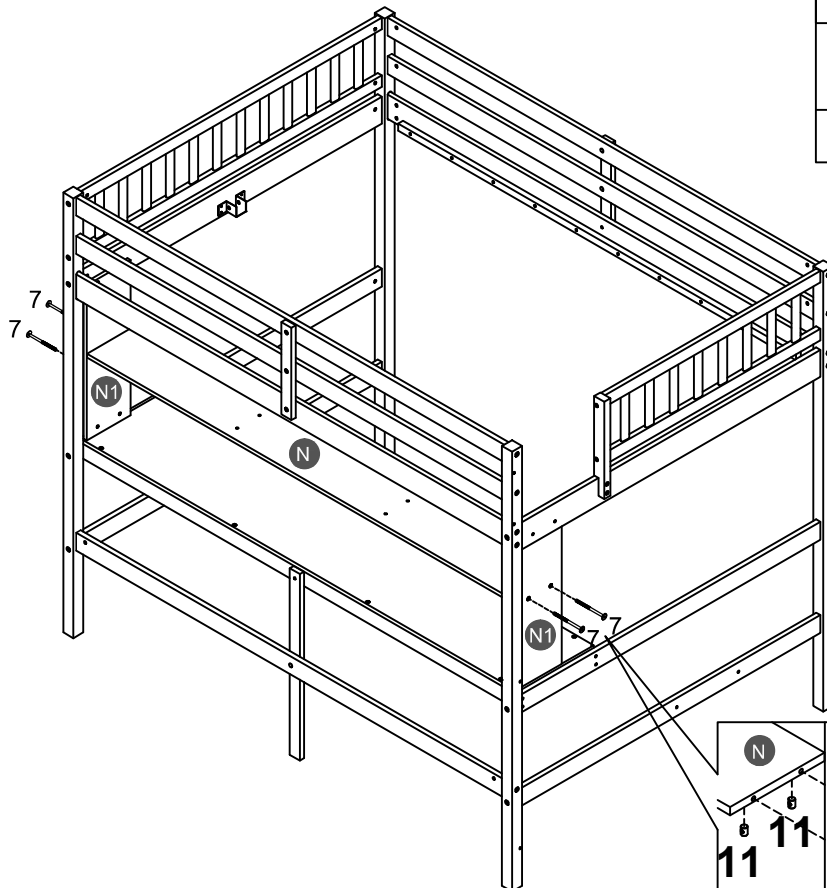
STEP 9:





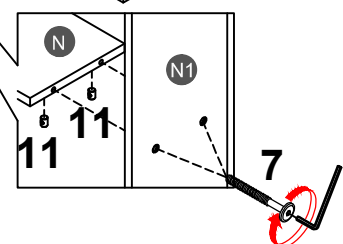
7		9		11	
4PCS		4PCS		4PCS	



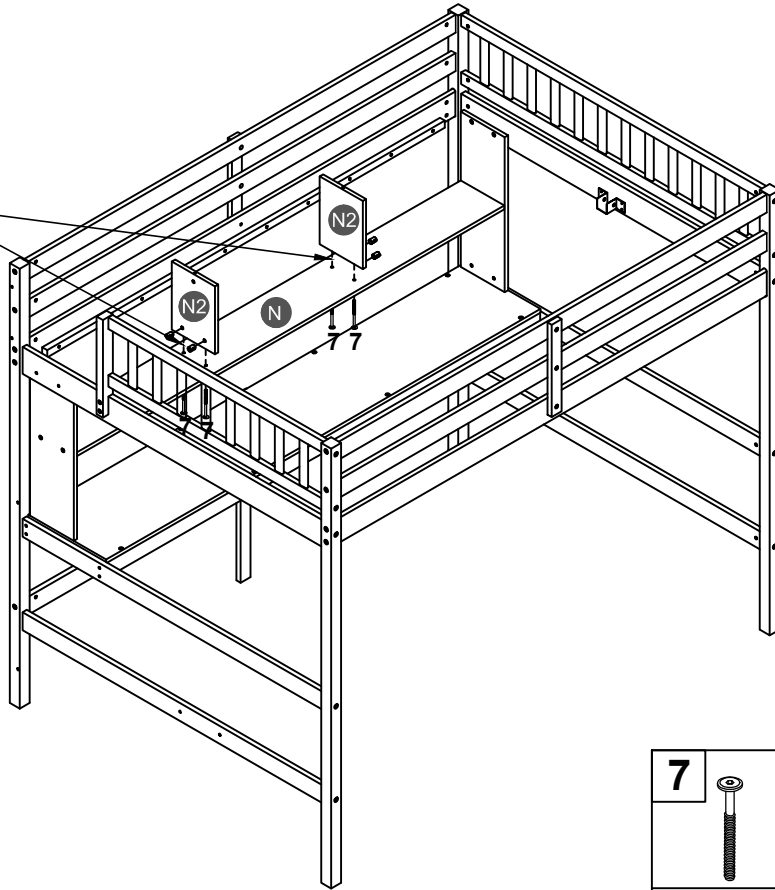
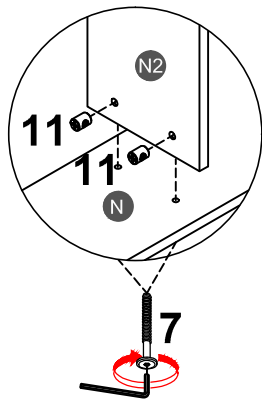
STEP 10:





7		11	
4PCS		4PCS	

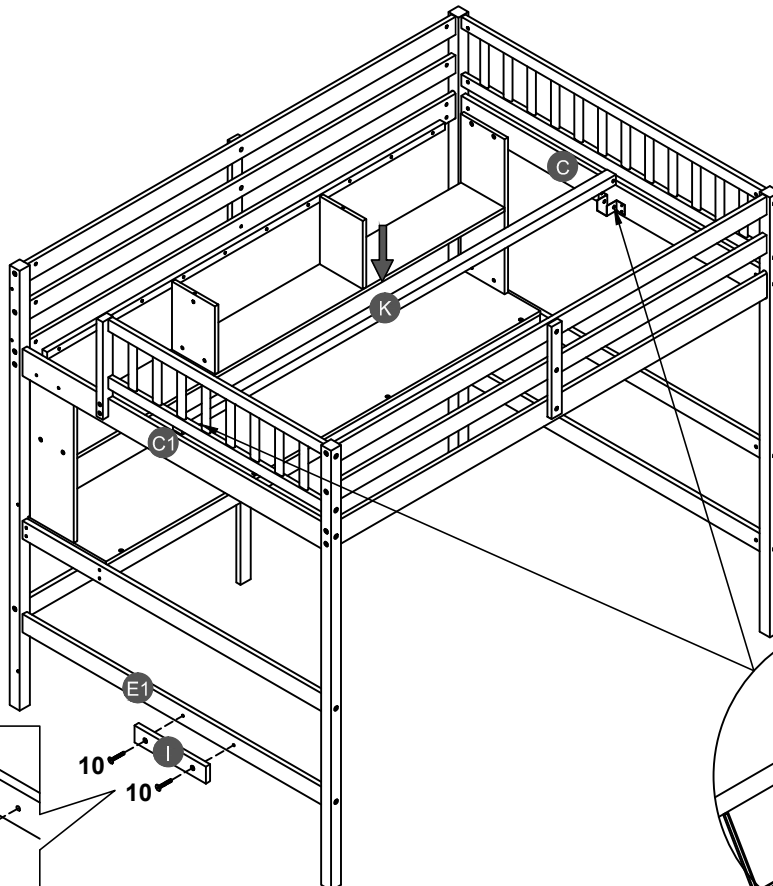




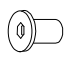
STEP 11:

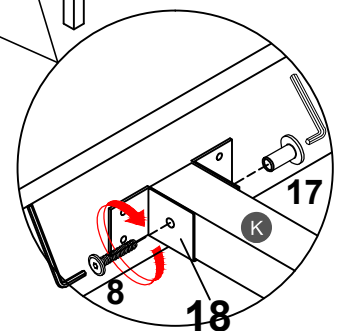
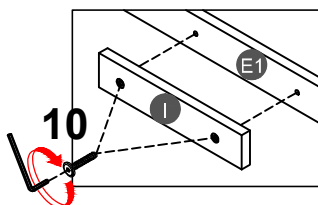


7		11	
	4PCS		4PCS




STEP 12:

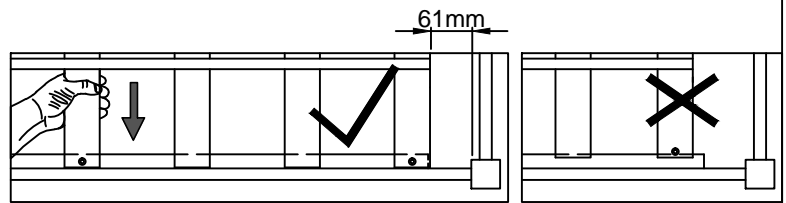
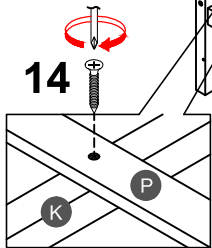
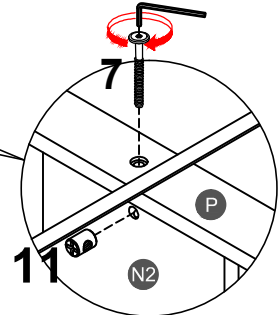
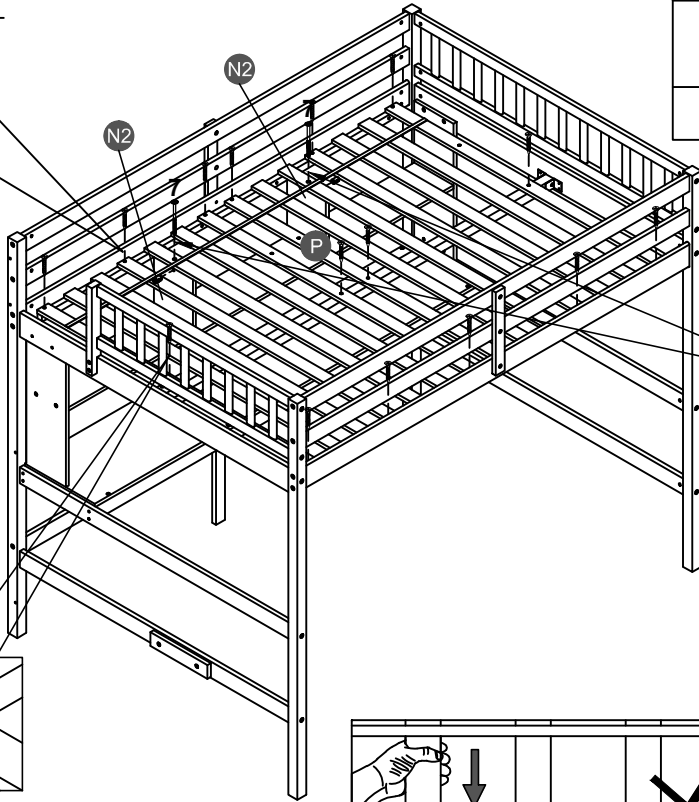
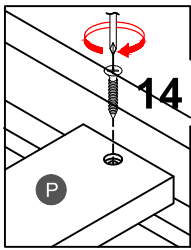


8	
	2PCS
10	
	2PCS
17	
	2PCS





STEP 13:

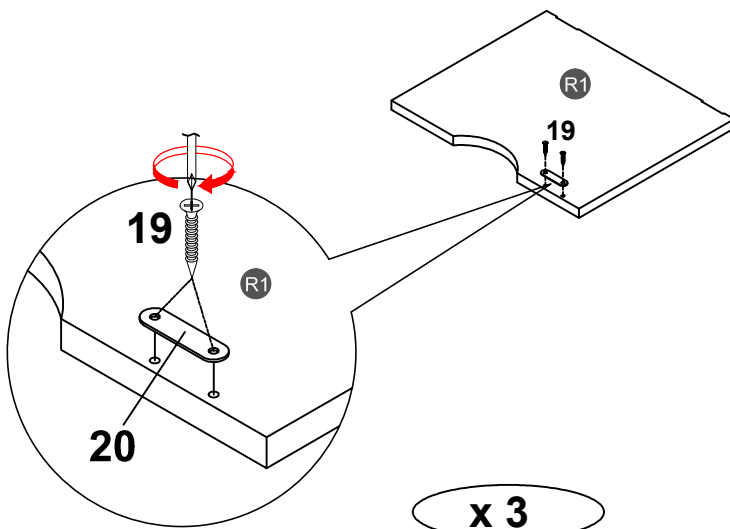
7		11		14	
	2PCS		2PCS		16PCS



Note: Do not lock the screws of the bed slats to the outermost edge of the bed slats, you need to leave a certain space at the edges, otherwise it will cause the board to break. Do not lock the bed slats on the edge of the wood, please hold firmly before screwing, hold it in place with one hand, then lock the screw.



STEP 14:

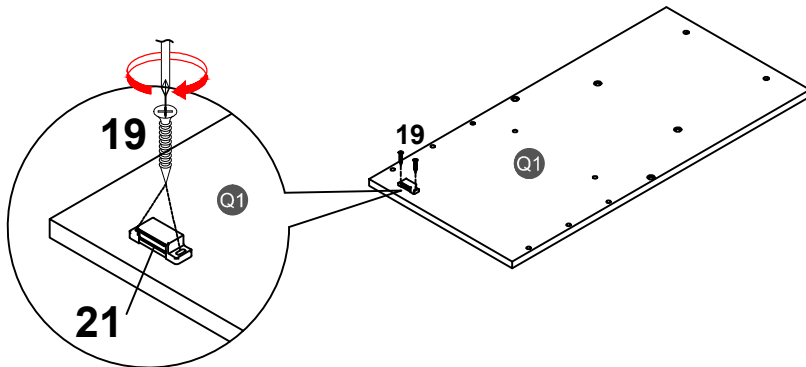
19		20	
	6PCS		3PCS





x 3

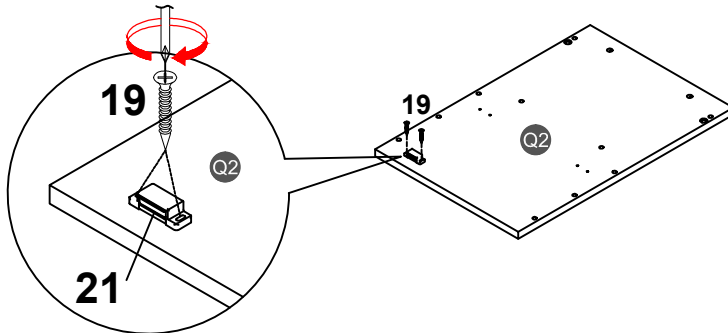
STEP 15:

19	21
	
2PCS	1PC


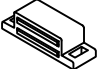


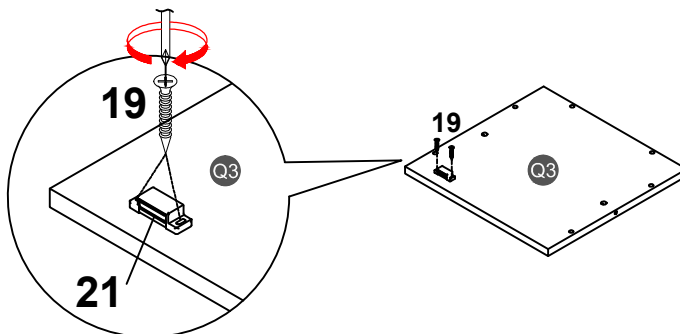
STEP 16:

19	21
	
2PCS	1PC





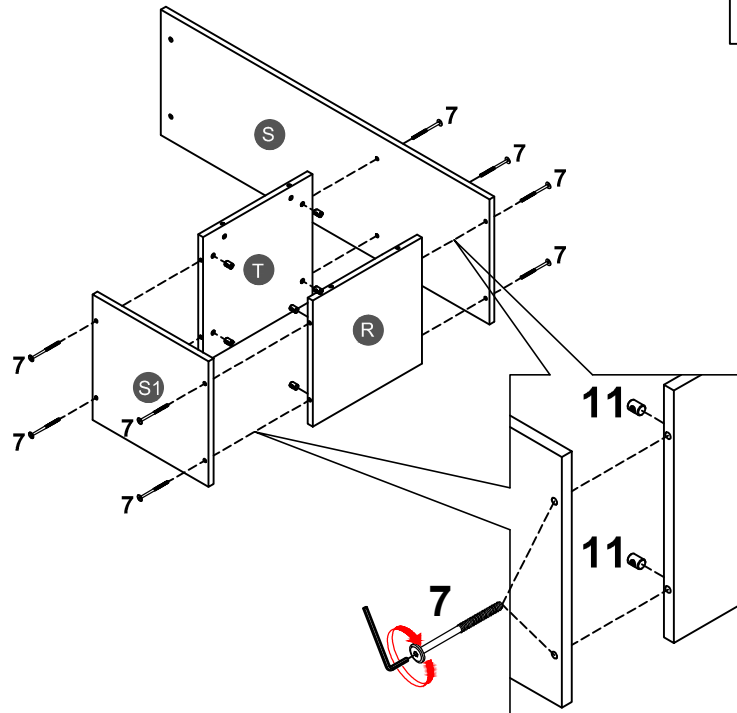
STEP 17:

19	21
	
2PCS	1PC






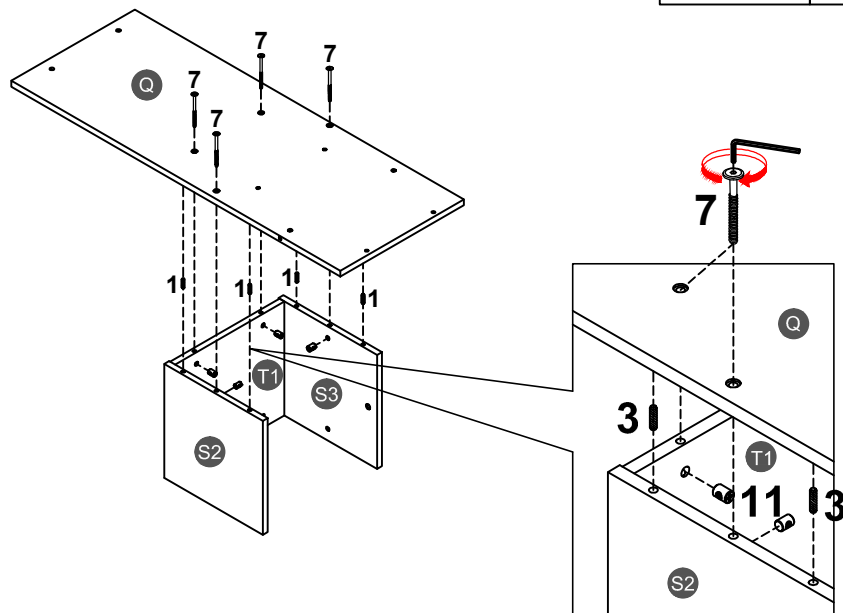
STEP 18:

7		11	
8PCS		8PCS	





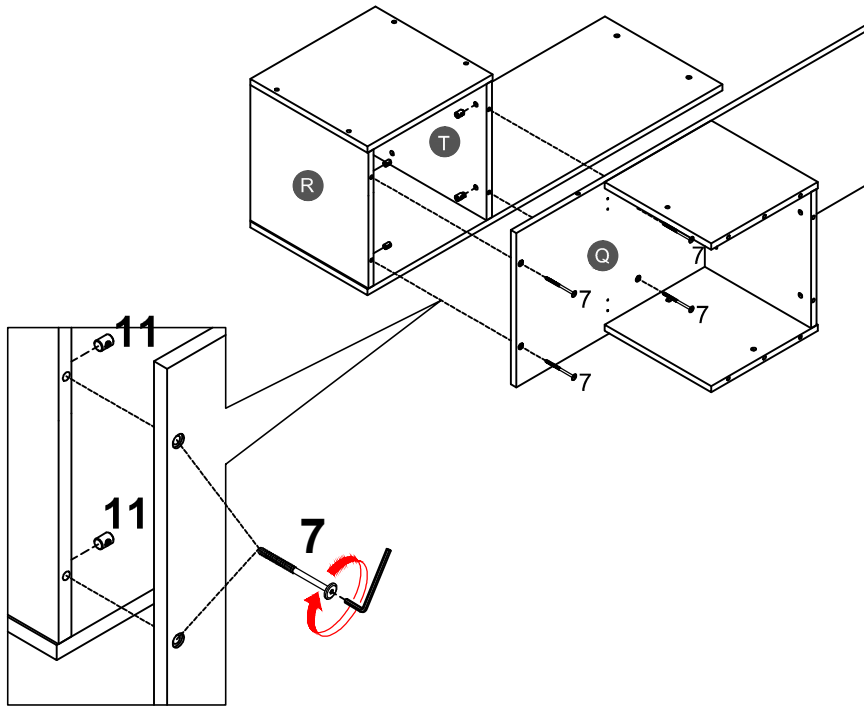
STEP 19:

3		7		11	
4PCS		4PCS		4PCS	






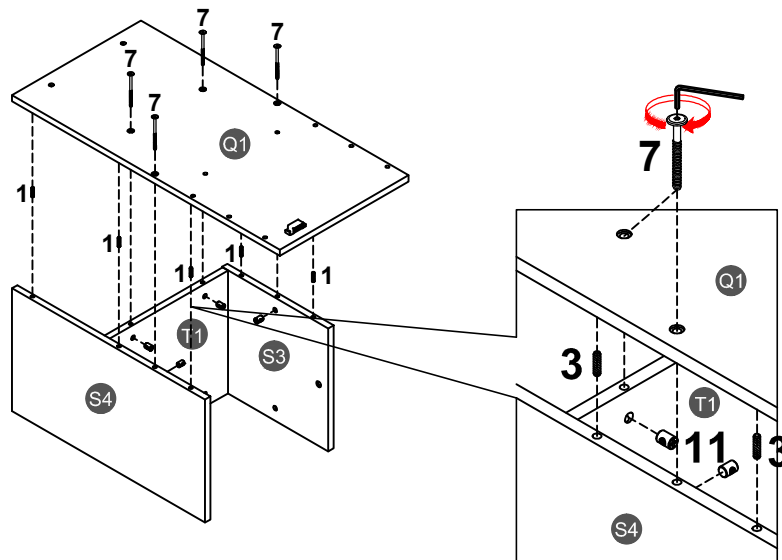
STEP 20:

7		11	
4PCS		4PCS	






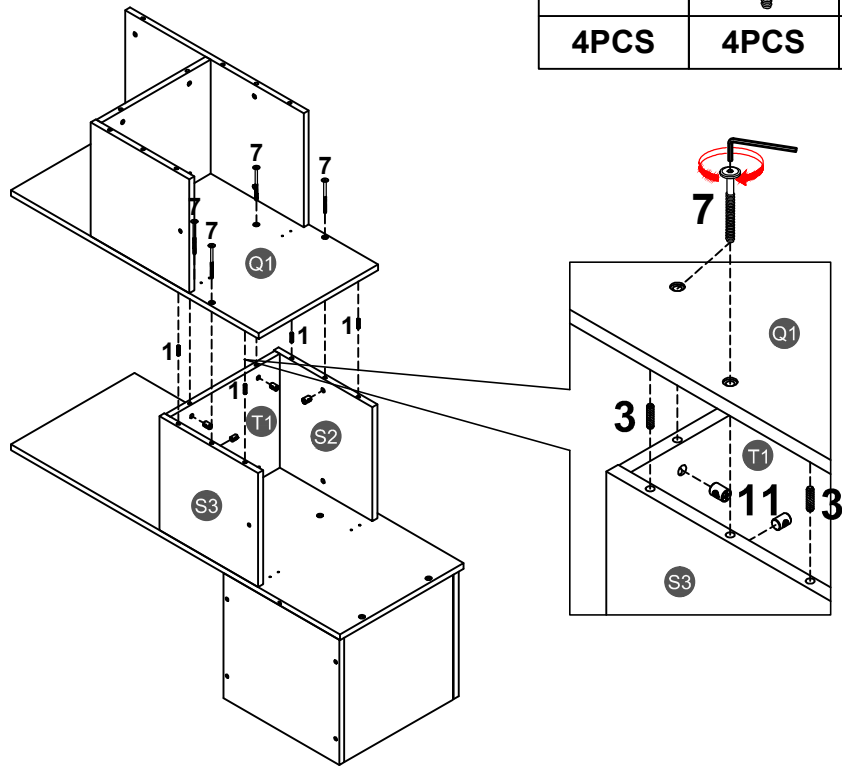
STEP 21:

3		7		11	
5PCS		4PCS		4PCS	






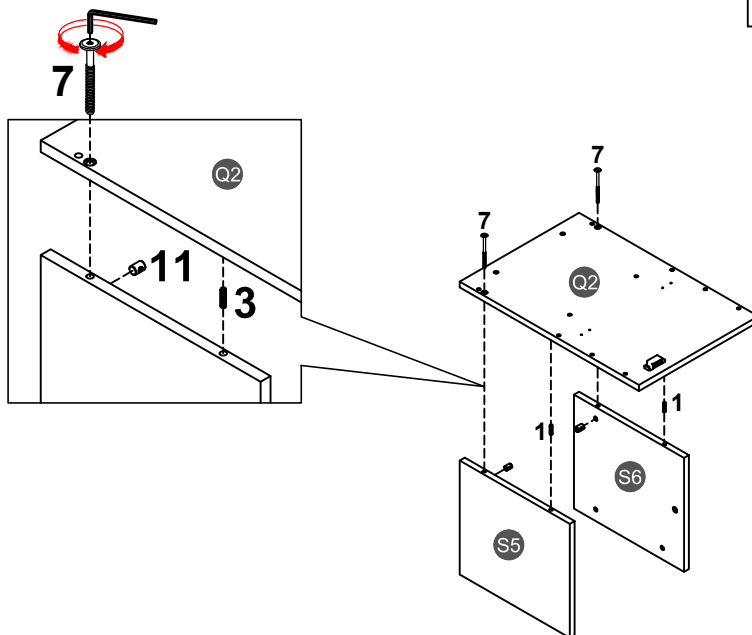
STEP 22:

3		7		11	
4PCS		4PCS		4PCS	

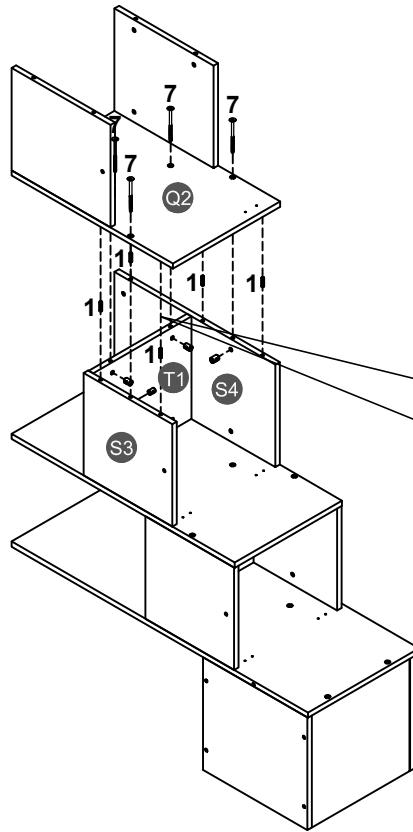





STEP 23:

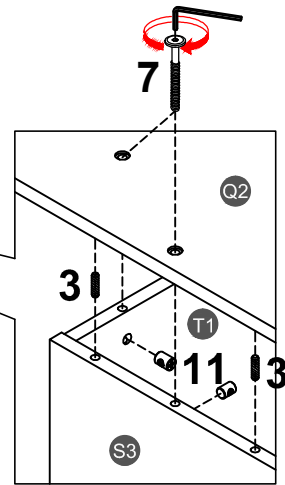
3		7		11	
2PCS		2PCS		2PCS	



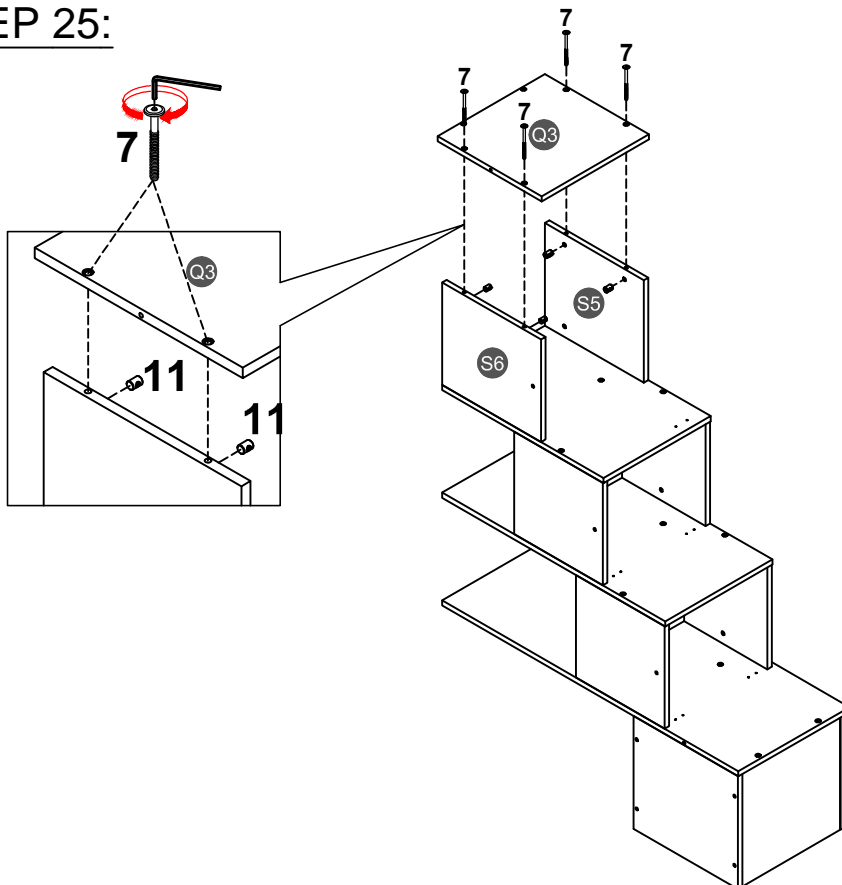
STEP 24:





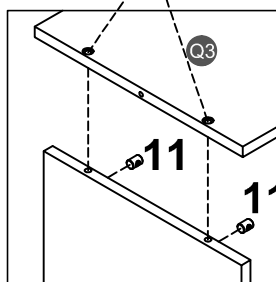
3		7		11	
5PCS		4PCS		4PCS	



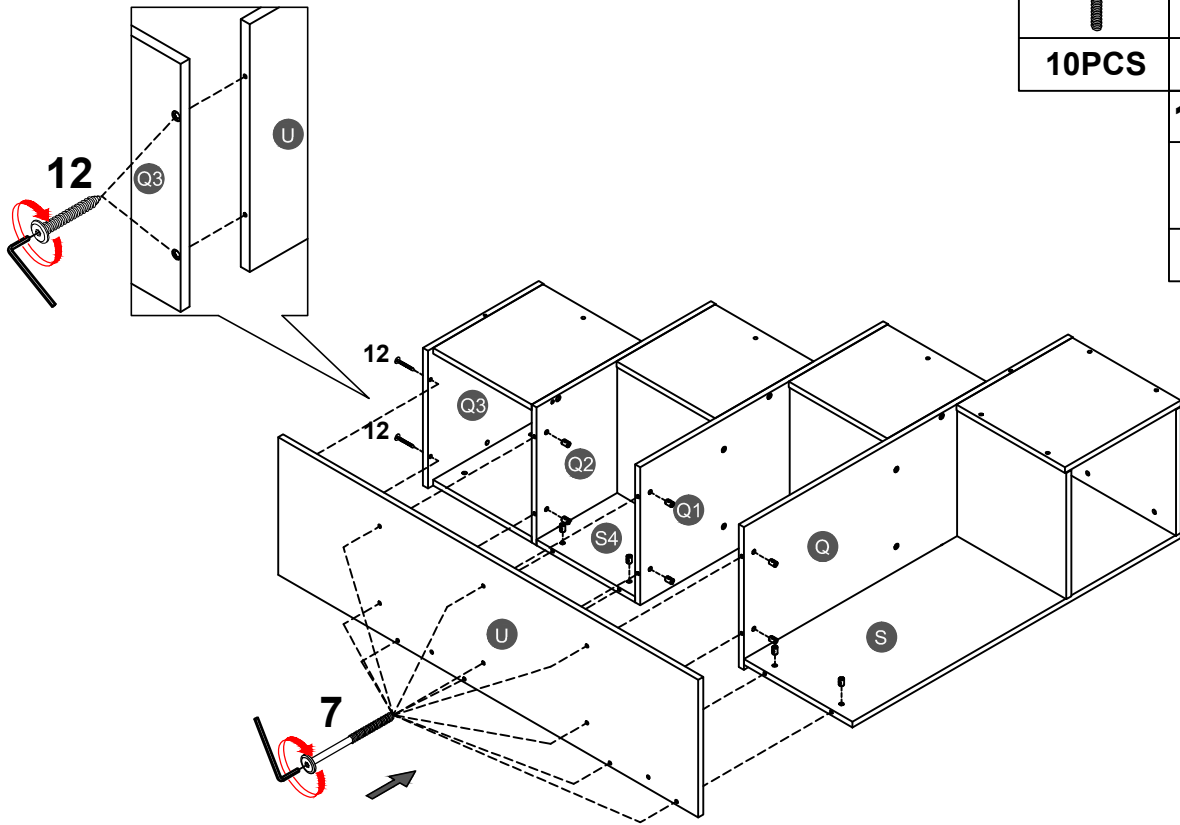
STEP 25:






7		11	
4PCS		4PCS	

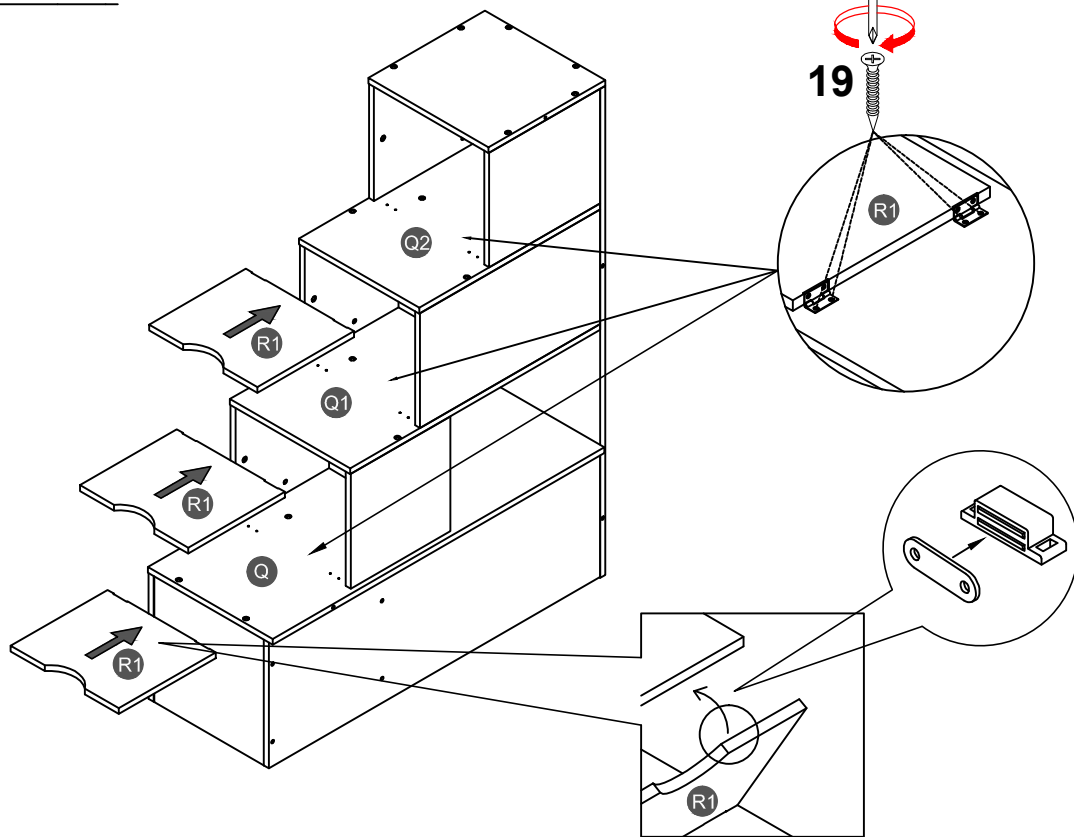



STEP 26:



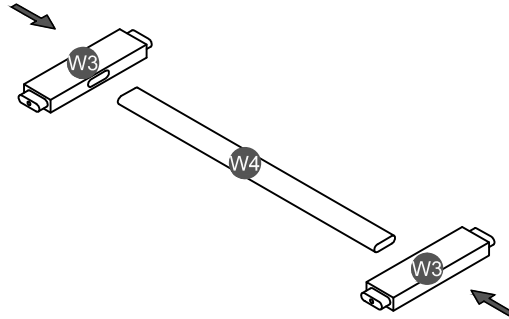
7		11	
10PCS		10PCS	
		12	
		2PCS	

STEP 27:





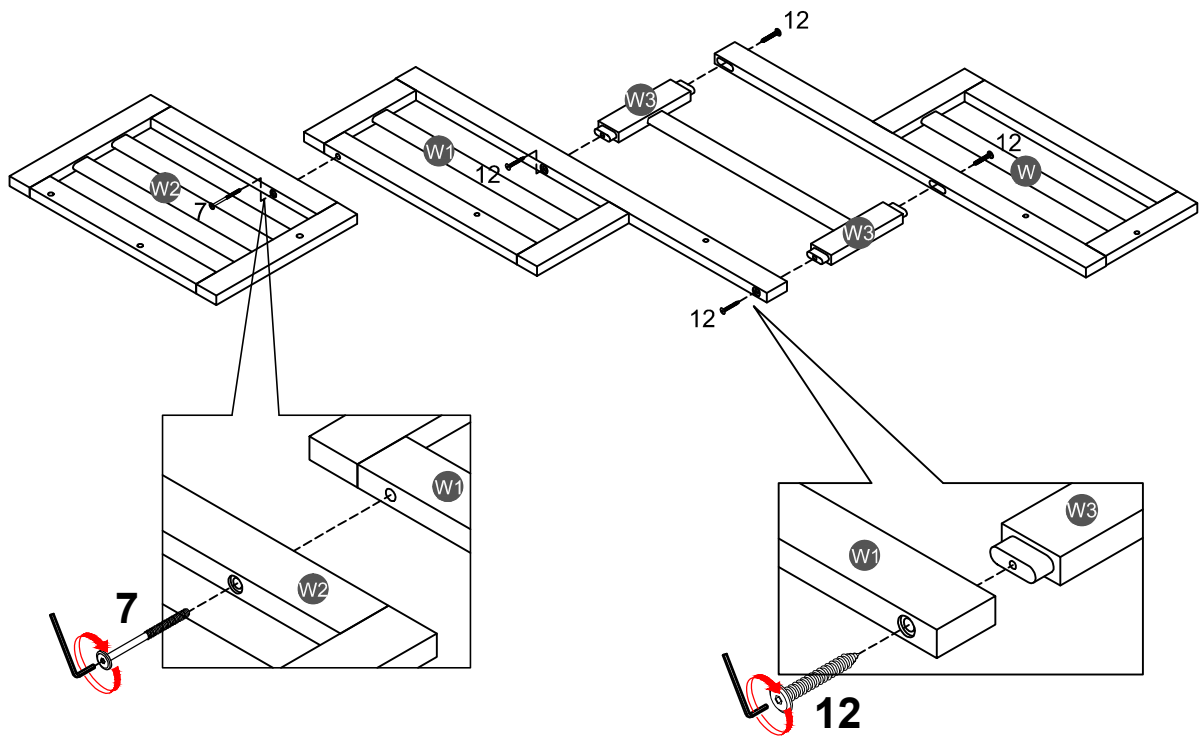
19	
12PCS	

STEP 28:

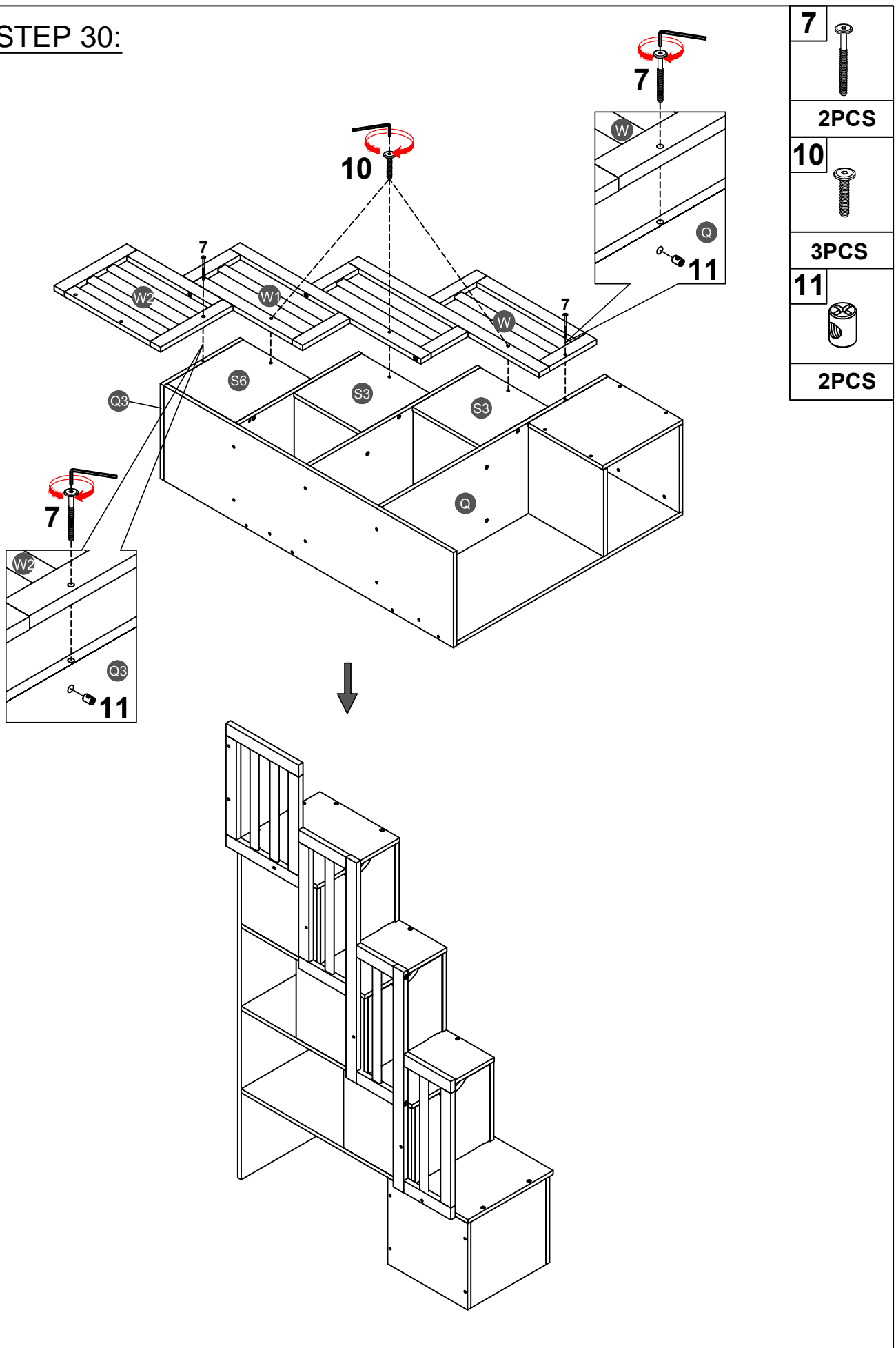


STEP 29:



7		12	
1PC		4PCS	

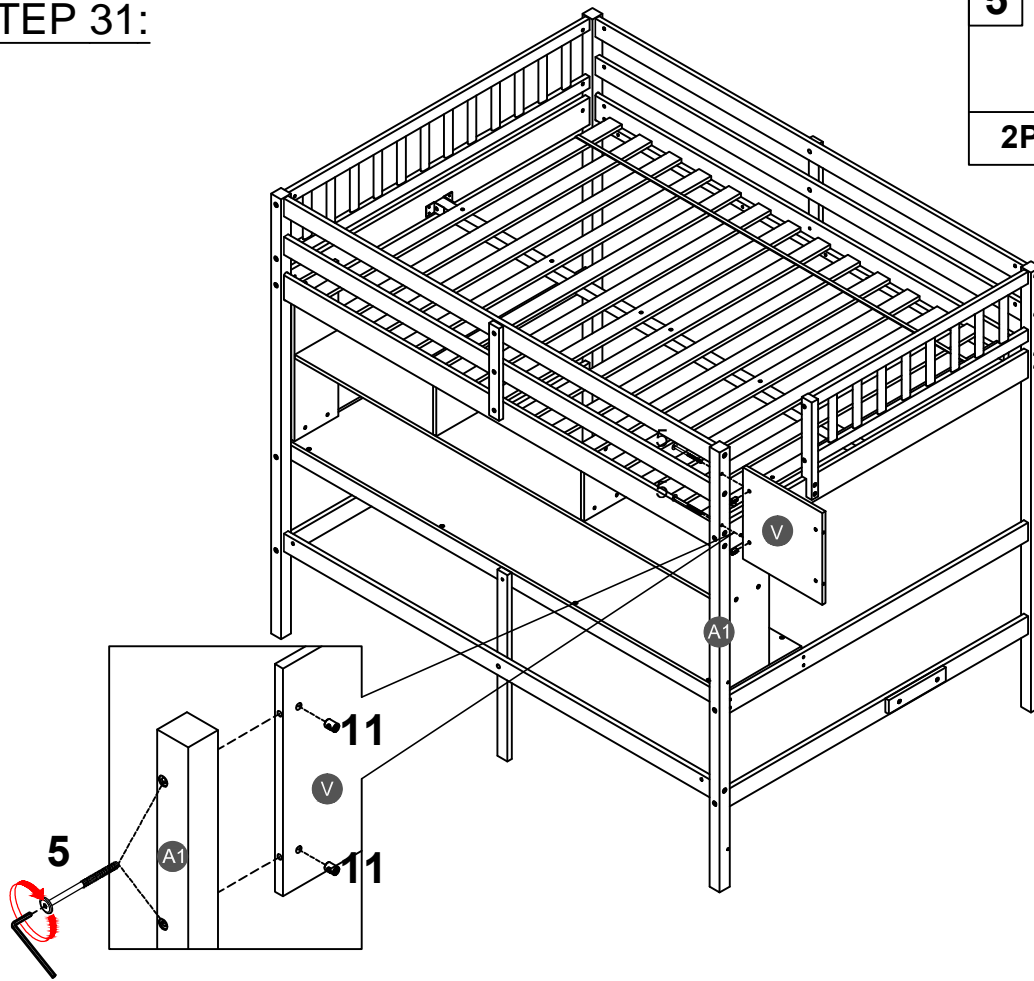


STEP 30:






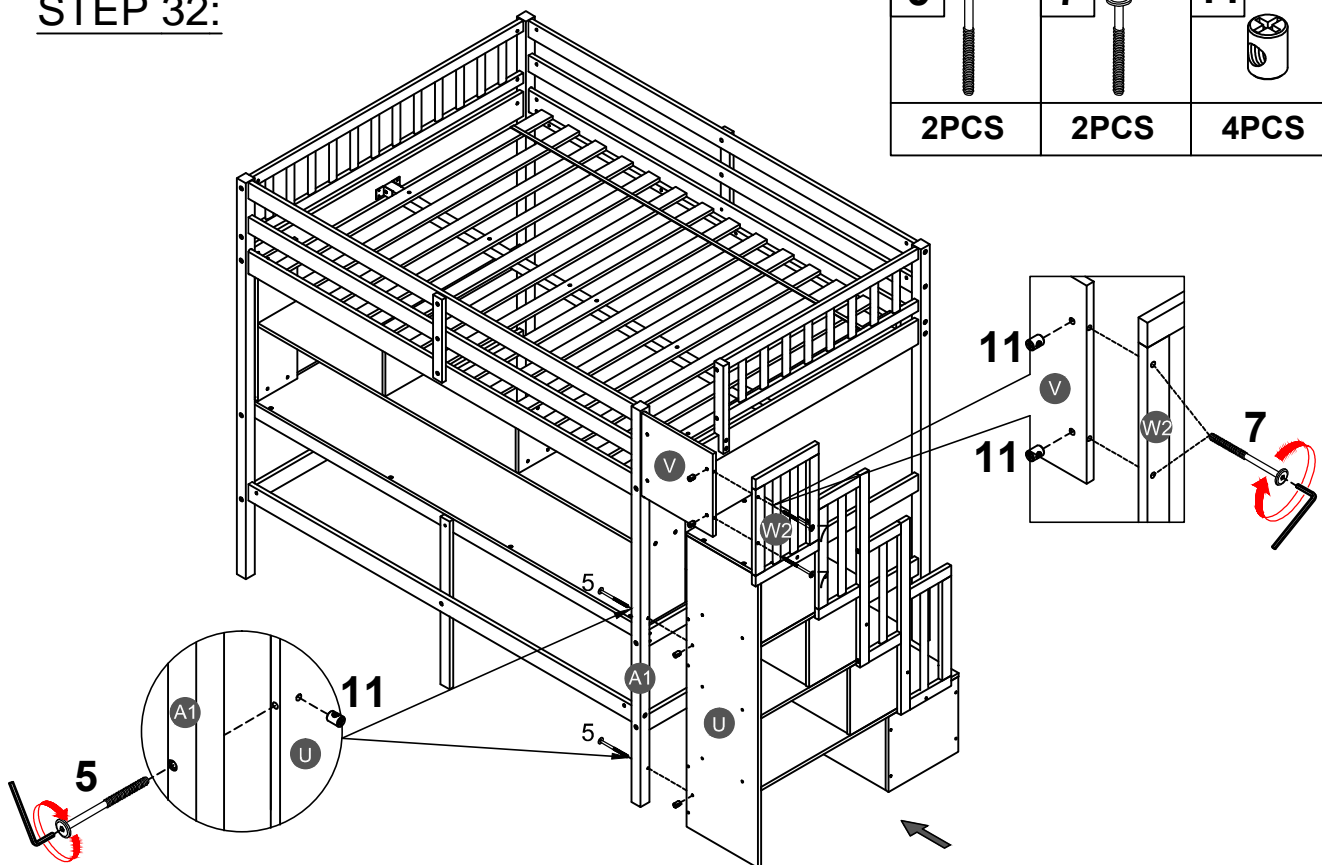
STEP 31:

5		11	
2PCS		2PCS	

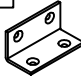



STEP 32:

5		7		11	
2PCS		2PCS		4PCS	



STEP 33:

15 	16 
1PC	4PCS

