

-
11. Attach the ground wire from the fixture to the ground junction box wire. It usually has green insulation around it or is bare wire. Fasten these together with a Wire Connector (A) and wrap the connection with electrical tape. Make sure that no wire strands are exposed. If the ceiling outlet junction box does not have a ground junction box wire, insert the Ground Screw (D) into the Mounting Bracket (B) where it is marked "Ground", facing down and wrap the fixture ground wire around the Ground Screw (D).
 12. Tighten the Ground Screw (D) to clamp Ground Fixture Wire between the head of Ground Screw (D) and Mounting Bracket (B). **It is imperative that the ceiling outlet junction box in your home be properly grounded!**
 13. Connect the neutral fixture wire to the neutral junction box wire. It usually has white insulation around it. Fasten these together with a plastic Wire Connector (A) and wrap the connection with electrical tape. Make sure that no wire strands are exposed.
 14. Connect the hot fixture wire to hot junction box wire. It usually has black insulation around it. Fasten these together with a plastic Wire Connector (A) and wrap the connection with electrical tape. Make sure that no wire strands are exposed. Do not reverse the hot and neutral connections or safety will be compromised.
 15. Gently tuck the wire connections neatly into ceiling outlet junction box.
 16. Place the Canopy (J) over the ceiling outlet junction box and secure it in place by screwing the Threaded Ring (K) onto the Screw Collar Loop (H).
 17. Insert ONE (1) 60-Watt maximum Type A standard medium base incandescent light bulb (not included) or ONE (1) 13-Watt compact fluorescent light bulb (not included) or ONE (1) 9-Watt LED light bulb (not included) into the socket. **Do not exceed specified wattage.**
 18. Restore power to junction box and test the fixture.
 19. Installation is now completed.

CARE INSTRUCTIONS

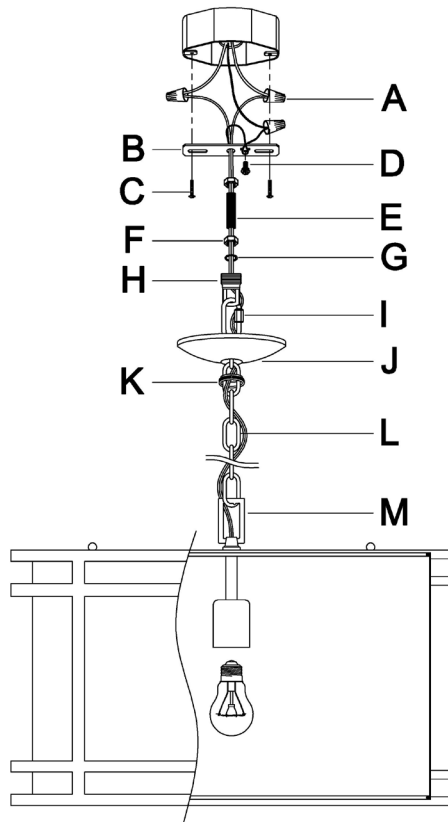
- ✓ Wipe clean with a soft, dry cloth or static duster.
 - ✓ Always avoid the use of harsh chemicals or abrasive cleaners as they may cause damage to the chandelier's finish.
-

PARTS ENCLOSED

		QTY
A	Wire Connector	3
B	Mounting Bracket	1
C	Mounting Screw	2
D	Ground Screw	1
E	Nipple	1
F	Hex Nut	2
G	Lock Washer	1
H	Screw Collar Loop	1
I	Quick Link	1
J	Canopy	1
K	Threaded Ring	1
L	Chain	1
M	Fixture Loop	1

WARNINGS

- ✓ Before installing the chandelier, make sure the power to the circuit is turned off at the main fuse box/circuit breaker utility box.
- ✓ To reduce the risk of fire, electrical shock or personal injury, always turn off the chandelier and allow it to cool prior to replacing light bulbs.
- ✓ Do not touch the bulbs when the chandelier is turned on. Do not look directly at lit bulb.
- ✓ Keep flammable materials away from lit bulb.



SAFETY FIRST

- ✓ This chandelier is meant for indoor use, **dry locations only**.
- ✓ Do not use the electric cord to support the weight of the chandelier.
- ✓ These instructions are provided for your safety. It is important that they are read carefully and completely before beginning the installation of this lighting fixture.
- ✓ For your safety, it is strongly recommended that **two** people install the lighting fixture.
- ✓ **This product must be installed in accordance with the applicable installation codes by a person familiar with the construction and operation of the product and the hazards involved.**
- ✓ Save these instructions.

ASSEMBLY INSTRUCTIONS

Remove all parts and hardware from the box along with any plastic protective packaging. Do not discard any contents until after assembly is complete to avoid accidentally discarding small parts or hardware.

- 1. Shut off the main electrical supply from the main fuse box/circuit breaker.**
2. Attach the Mounting Bracket (B) onto the ceiling outlet box using Mounting Screw (C). Tighten screws with a Screwdriver until secure.
3. Screw the Hex Nuts (F) onto the Nipple (E), then slide the lock washer over the lower end of the Nipple (E), and thread the Collar Loop (H) over the same end of the nipple where the lock washer was installed.
4. Thread the Nipple (E) into the Mounting Bracket (B) and secure it with one Hex Nut (F), exposing approximately 2" of its thread.
5. Unwrap the power supply cord to the fixture with the ground wire and unwrap

the Chain (L). Starting from the Fixture Loop (M), lace the power supply cord and ground wire through every other link of the Chain (L) to the end of the Chain (L).

6. Slide the Canopy (J) and the Threaded Ring (K) over the Chain (L).
7. Connect Chain (L) to Screw Collar Loop (H) using the Quick Link (I). Close the opening of quick links by screwing the nut clockwise.
8. Feed the power supply cord through the bottom opening of the Screw Collar Loop (H) and through the Nipple (E).
9. Gently pull existing ground, hot, and neutral junction box wires down from the ceiling junction box and allow these to hang.
10. Carefully inspect the chandelier wires. The neutral fixture wire is ribbed. The hot fixture wire is smooth, and the ground fixture wire is bare copper.