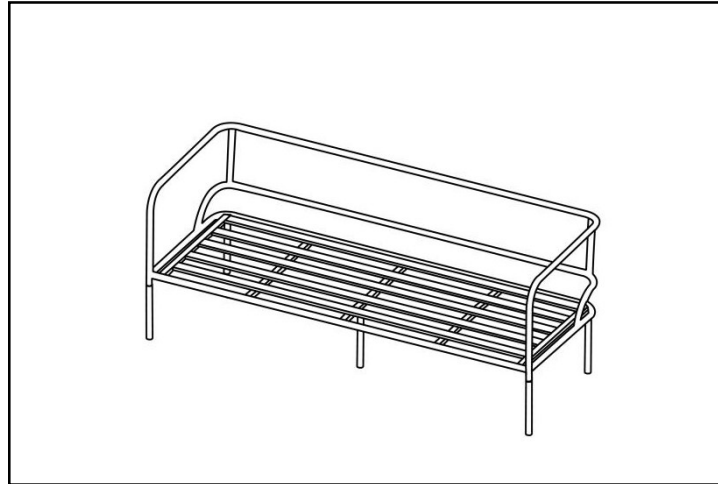


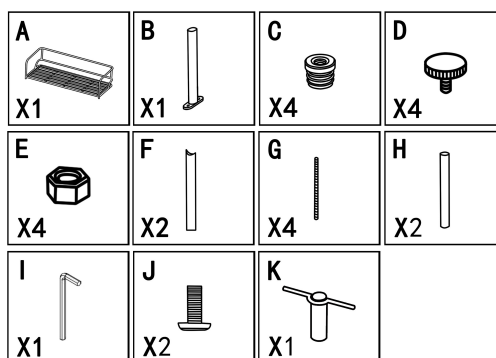
# INSTRUCTION MANUAL ENCLOSED

## OUTDOOR SOFA CHAIR

### OUTDOOR SOFA CHAIR ASSEMBLY INSTRUCTION



Part	PARTS LIST Description	Quantity
	<i>PARTS</i>	
A	Seat	1
	<i>HARDWARE</i>	
B	Chair Legs	1
C	Feet caps	4
D	levelers	1
E	Nut	4
F	Chair leg	2
G	Bolt	4
H	Chair leg	2
I	Allen key	1
J	Bolt	2
K	Allen key(comes from Box-1)	1



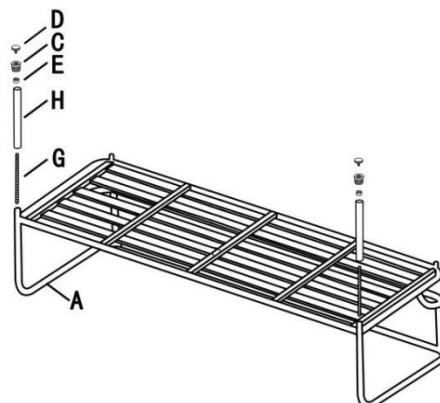
## PLEASE READ AND FOLLOW ALL SAFETY TIPS

1. The plastic covers on some metal parts are just for product protection. Please remove it before assembly.
2. Please follow the sequence of AI during assembly.
3. Do not tighten the screws until all of them are in right positions.

1. ①Fasten bolts(G),  
②Insert Chair leg(H),  
③,Use Allen Key(K) to fasten Bolts(E),  
④Install feet cap(C) and levelers(D). (Photo 1)

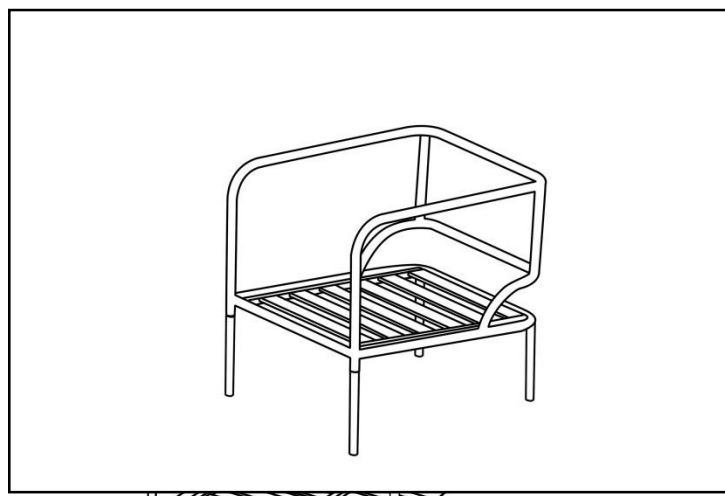
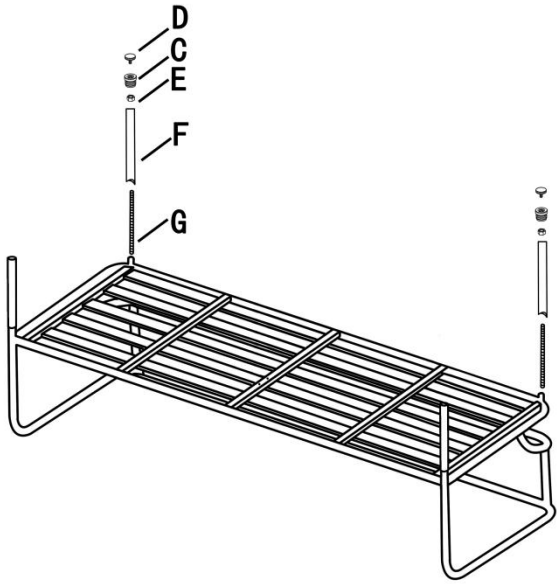
3. Position Chair Leg(B),Using the Allen key(I) to fasten Bolts(J), turn over the chair frame to the upright position carefully.

### STEP1



2. ①Fasten bolts(G),②Insert Chair leg(F),③,Use Allen Key(K) to fasten Bolts(E),  
 ④Install feet cap(C) and levelers(D). (Photo 2)

**STEP2**



PARTS LIST			
Part	Description		Quantity
<i>PARTS</i>			
A	Seat Frame		1
<i>HARDWARE</i>			
B	Allen Key(comes from Box-1)		1
C	Feet caps		4
D	Allen Key		1

Till now you have finished the whole assembly and enjoy your sofa chairs.

# INSTRUCTION MANUAL ENCLOSED

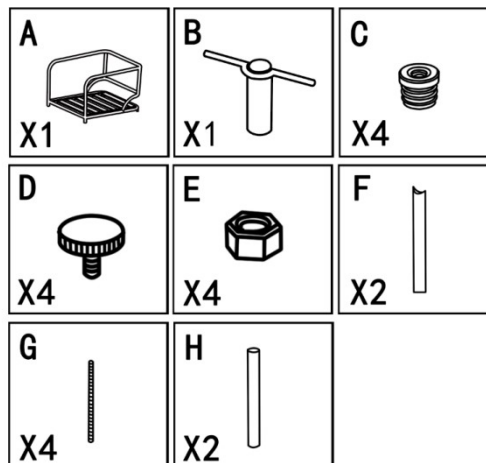
## OUTDOOR Club Chair

### OUTDOOR Club CHAIR ASSEMBLY INSTRUCTION

1. The plastic covers on some metal parts are just for product protection. Please remove it before assembly.
2. Please follow the sequence of AI during assembly.
3. Do not tighten the screws until all of them are in right positions.

1. ①Fasten bolts(G),②Insert Chair leg(H),③,Use Allen Key(B) to fasten Bolts(E),  
④Install feet cap(C) and levelers(D). (Photo 1)

E	Nut	4
F	Chair leg	2
G	Bolt	4
H	Chair leg	2

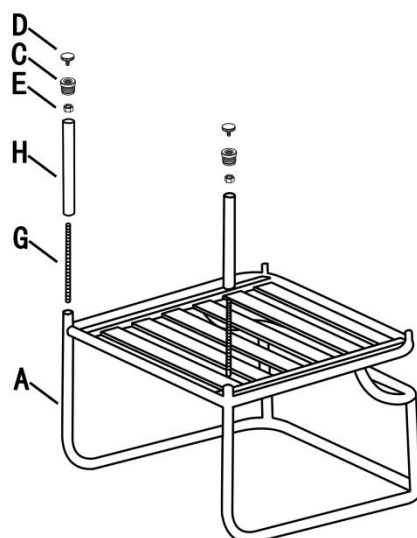


## PLEASE READ AND FOLLOW ALL SAFETY TIPS

3. Follow the same instruction for the other club chairs.

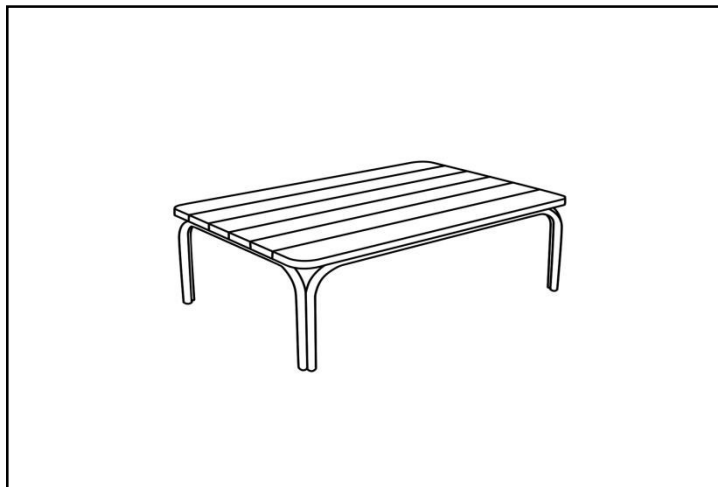
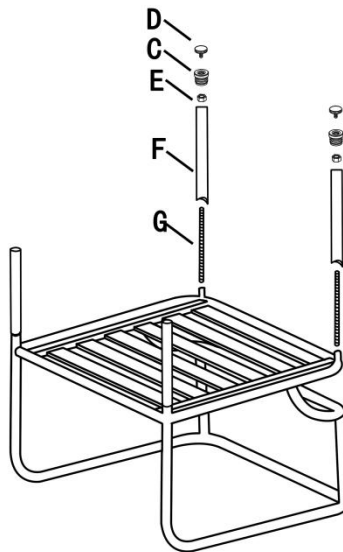
Till now you have finished the whole assembly and enjoy your club chairs.

### STEP1



2. ①Fasten bolts(G),②Insert Chair leg(F),③,Use Allen Key(B) to fasten Bolts(E),  
 ④Install feet cap(C) and levelers(D), turn over the Chair frame to the upright position carefully.

**STEP2**



Part	DESCRIPTION	Quantity
<b>PARTS LIST</b>		
<i>PARTS</i>		
A	Table Feet	2
B	Table Feet	2
C	Table Top	1
<i>HARDWARE</i>		
D	Bolts(6X50mm)	8
E	Bolts(6X40mm)	4
F	Allen Key	2

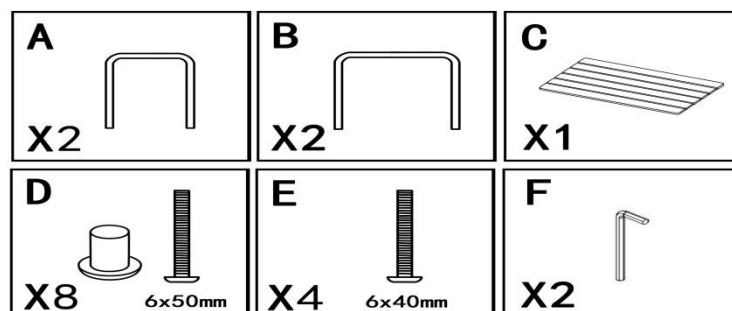
# INSTRUCTION MANUAL ENCLOSED

## OUTDOOR DINNING TABLE

### OUTDOOR DINNING TABLE ASSEMBLY INSTRUCTION

1. The plastic covers on some metal parts are just for product protection. Please remove it before assembly.
2. Please follow the sequence of AI during assembly.
3. Do not tighten the screws until all of them are in right positions.

1. Position each Table Foot(B) to the Table Foot(A) by the pre-drilled threads. Use two Allen Key(F) to secured and fasten Bolts(D). Each foot should have 2 bolts fastened, total have 8 bolts fastened.(Photo 1)

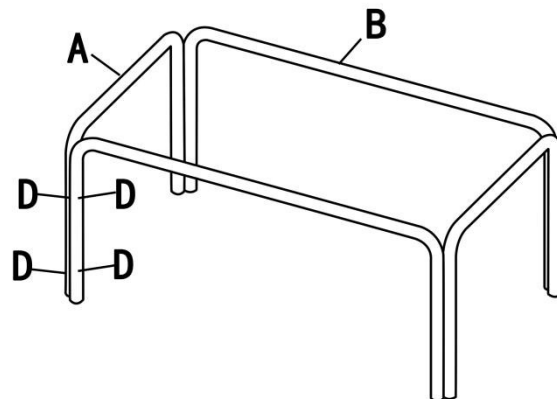


For Customer Service:

**PLEASE READ AND FOLLOW ALL SAFETY TIPS**

You have completed assembling the furniture – enjoy!

**STEP1**





2.Put the Feet frame to the Table Top carefully,Use Allen Key(E) to fasten Bolts(D),Then turn over the Table to the upright position carefully. (photo 2)

**STEP2**

