

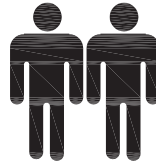
2 DOOR COMPARTMENT BOOKSHELF

Assembly Instruction

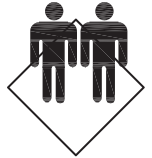
1.0hr

APPROXIMATE ASSEMBLY TIME

2 PEOPLE ASSEMBLY

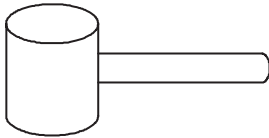


FLOOR AREA
1Mx1M

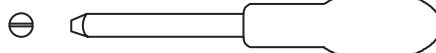


REQUIRED ASSEMBLY SPACE

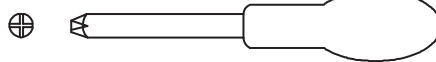
REQUIRED ASSEMBLY TOOLS



SOFT RUBBER HAMMER(Not Provided)



SLOTTED SCREWDRIVER(Not Provided)

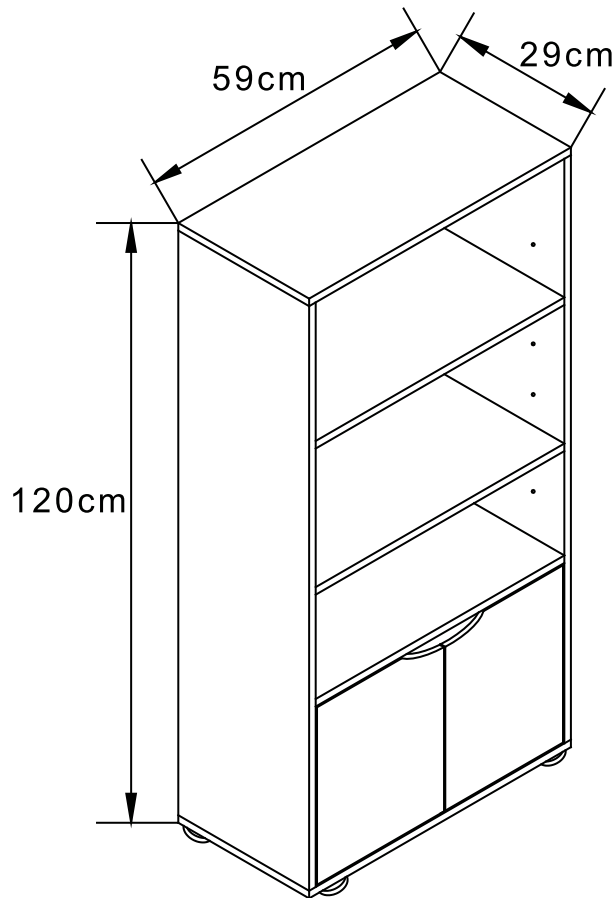


POZI SCREWDRIVER(Not Provided)



MEASURING TAPE (Not Provided)

ASSEMBLED DIMENSIONS

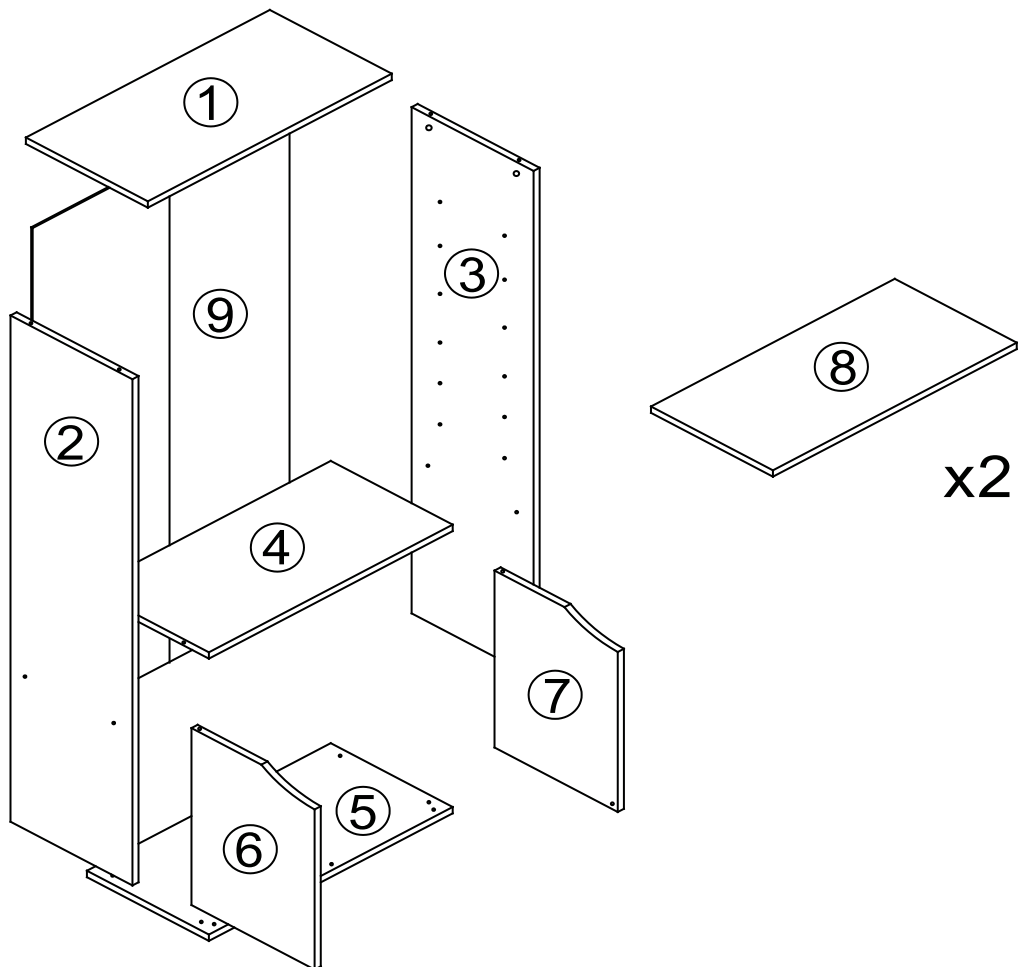


1-12

MODEL NAME:
2 DOOR COMPARTMENT BOOKSHELF




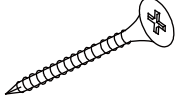

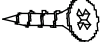
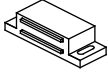




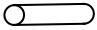
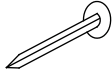

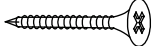

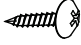
NO.	PART LIST	QTY	NO.	PART LIST	QTY
(1)	TOP PANEL	1	(6)	DOOR	1
(2)	LEFT SIDE PANEL	1	(7)	DOOR	1
(3)	RIGHT SIDE PANEL	1	(8)	INTERNAL SHELF	2
(4)	INTERNAL SHELF	1	(9)	BACK PANEL	1
(5)	BOTTOM PANEL	1			

PART LIST



**MODEL NAME:
2 DOOR COMPARTMENT BOOKSHELF**

HARDWARE LIST

A	× 4	B	× 4	C	× 4	D	× 8	E	× 4
						 Dia.4x40mm			
CAM LOCK		PIN		STICKER		SCREW		HINGE PIN	
F	× 2	G	× 1	H	× 2	I	× 2	J	× 4
 Dia.3x16mm						 Dia.3x10mm			
SCREW		MAGNET		MAGNET STRIP		SCREW		PAD	
K	× 4	L	× 8	M	× 20	N	× 1	O	× 1
 Dia.3x20mm								 Dia.4x40mm	
SCREW				PIN		RAWPLUG		SCREW	
P	× 1	Q	× 1						
		 Dia.3x14mm							
THE REWIND		SCREW							

MODEL NAME:
2 DOOR COMPARTMENT BOOKSHELF



Safety Advice and Care Advice

KEEP ALL THE SAFETY ADVICE AND INSTRUCTIONS IN A SAFE PLACE FOR FUTURE REFERENCE!

⚠ WARNING! RISK OF LOSS OF LIFE OR ACCIDENT TO INFANTS AND CHILDREN! Never leave children unsupervised with the packaging materials. Danger of suffocation.

⚠ CAUTION! RISK OF INJURY! Make sure that all parts are undamaged and assembled correctly. Improper assembly carries a risk of injury. Damaged parts may affect the safety and function of the product.

- Make sure that this product is standing on a solid, level surface.

⚠ CAUTION! Do not leave children unsupervised! The product is not a climbing frame or a toy! Make sure that nobody, especially a child, climbs on or leans against the product.

- Distribute weight evenly across the product so that it cannot overturn.
- Do not load more than a total of 20kg onto the product, otherwise there is a risk of injury and/or damage to the product.
- Check that the product is stable before using it.
- Do not lift or move the product when it is loaded.
- Keep away from fire and inflammable objects.
- **Wipe clean with a damp cloth.**
- Make sure that all screws and fixings are secure before use.
- Do not place very hot or very cold items on the surface(s) unless adequately thick table mats are used.
- Please periodically check all fittings and re-tighten as necessary.
- Domestic use only.

**MODEL NAME:
2 DOOR COMPARTMENT BOOKSHELF**

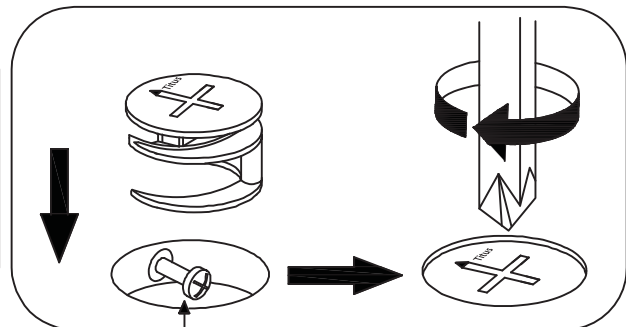
**SPECIAL TIPS FOR FITTING CAM-LOCKS
AND QUICKFIT**

CAM-LOCK



**WHEN FITTING CAMLOCK
ENSURE STARTING POSITION IS CORRECT
BEFORE YOU INSERT CONNECTING QUICKFIT
TURN CLOCKWISE UNTIL SECURE**

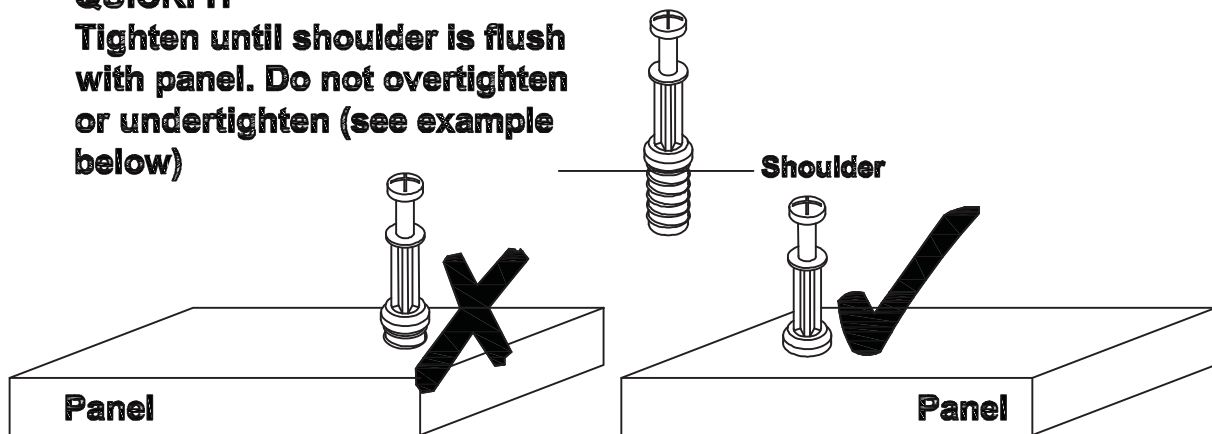
CORRECT **WRONG**



Quickfit head needs to be in centre

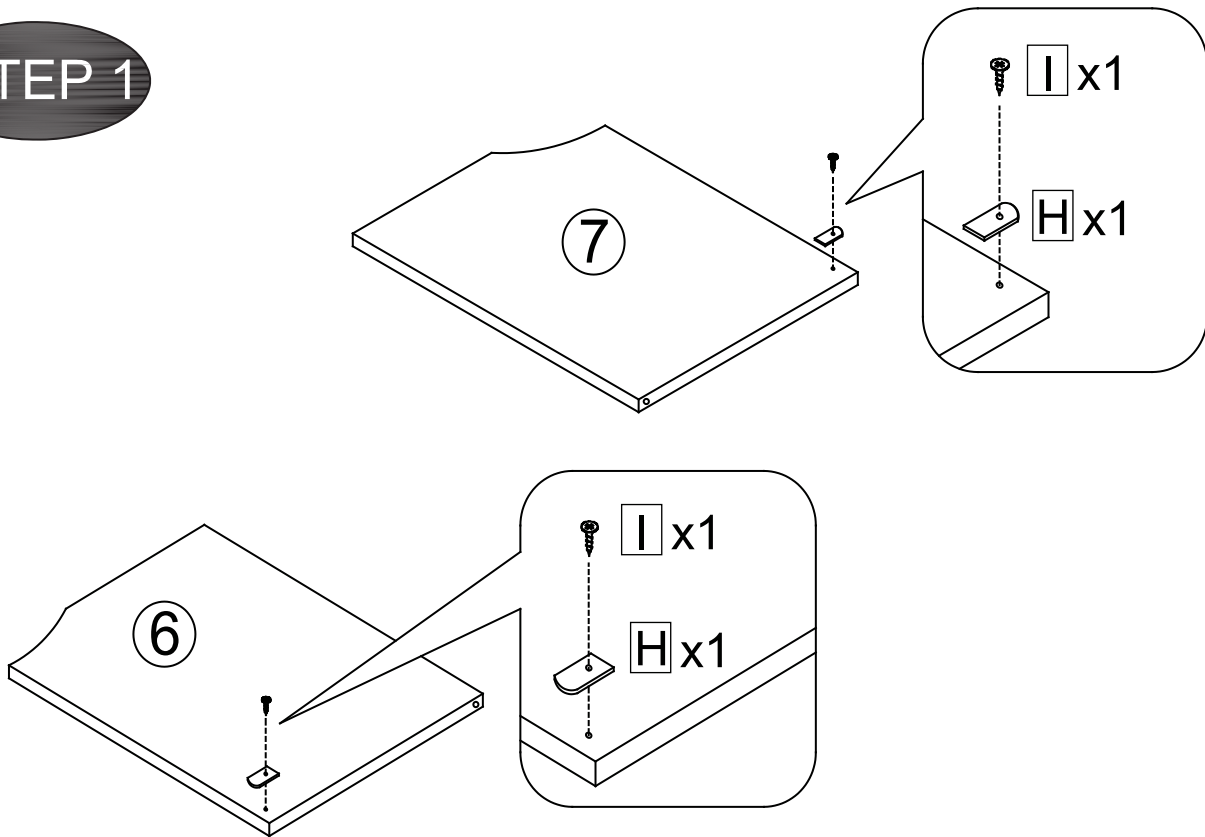
QUICKFIT

Tighten until shoulder is flush with panel. Do not overtighten or undertighten (see example below)

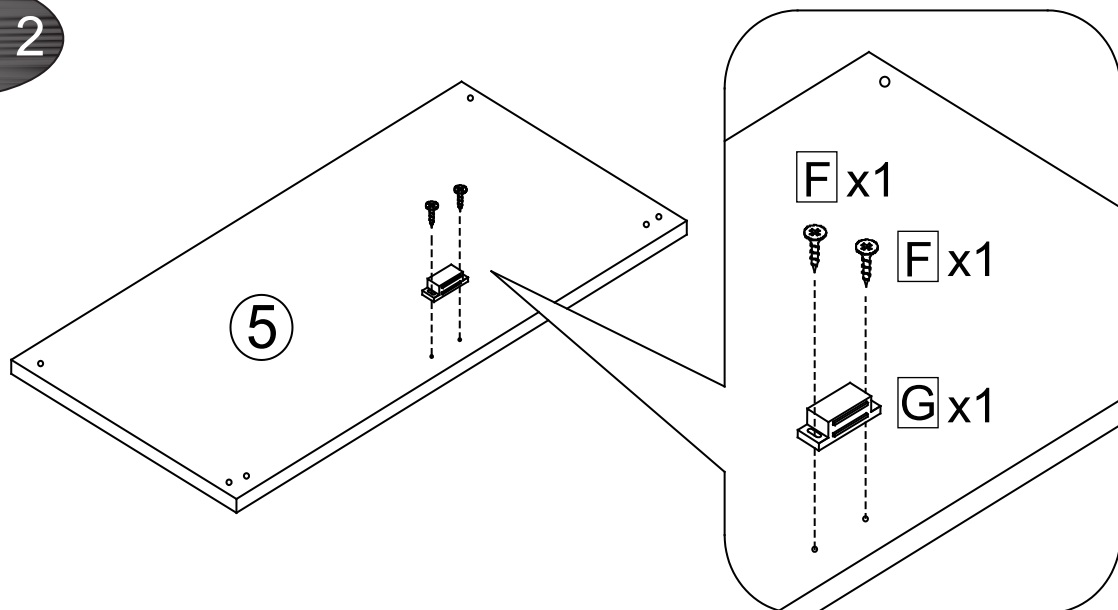


MODEL NAME:
2 DOOR COMPARTMENT BOOKSHELF

STEP 1

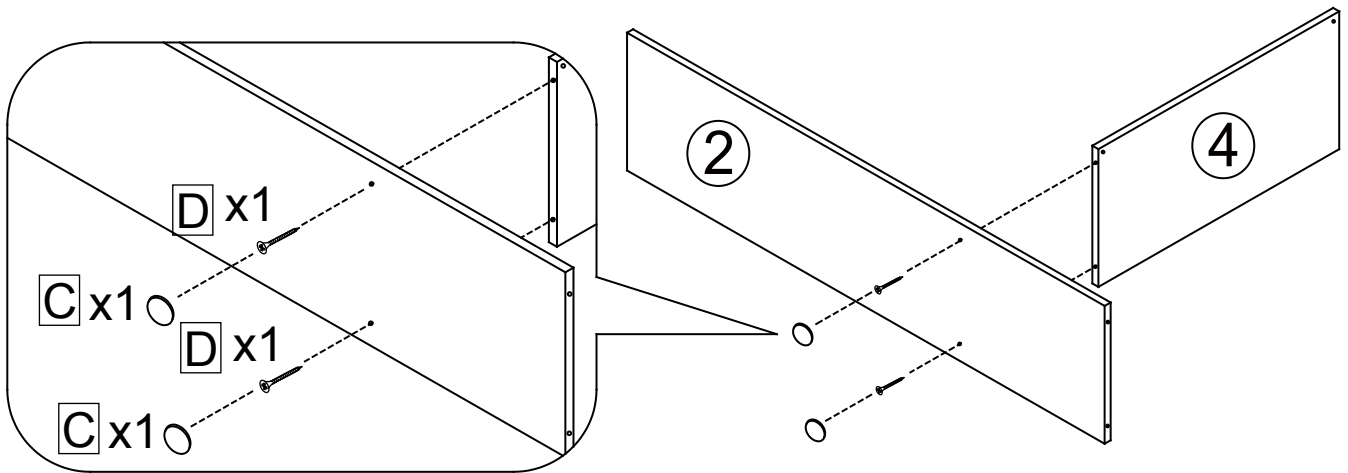


STEP 2

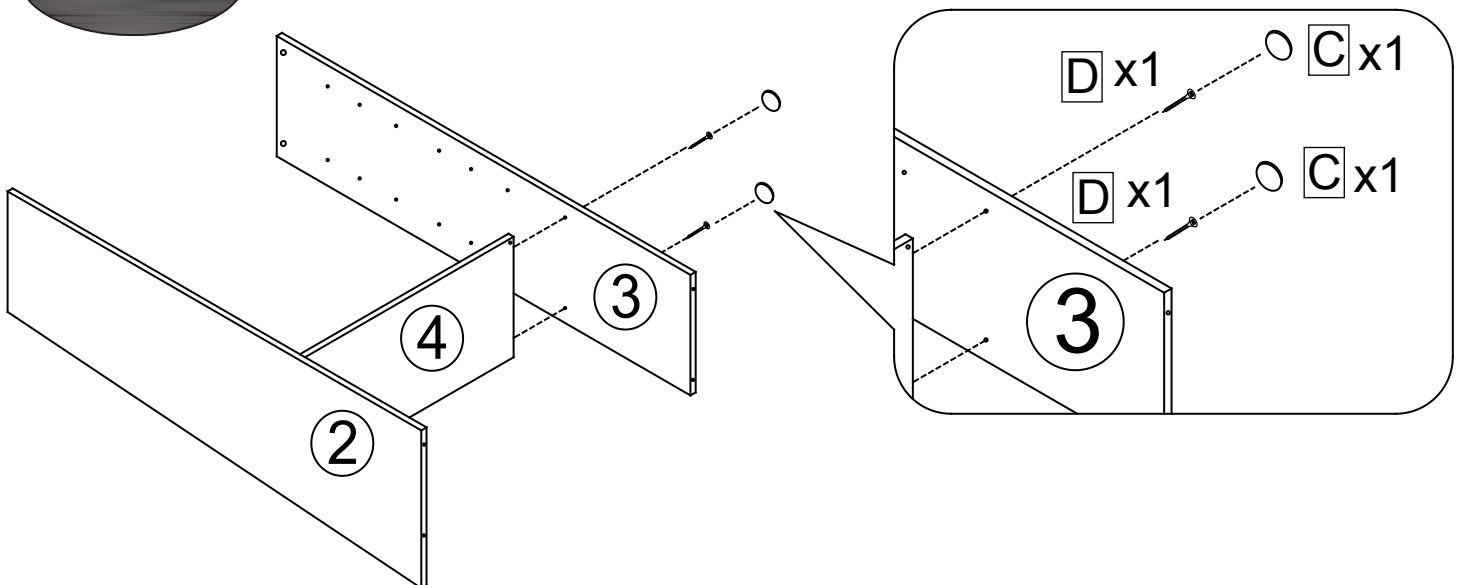


MODEL NAME:
2 DOOR COMPARTMENT BOOKSHELF

STEP 3

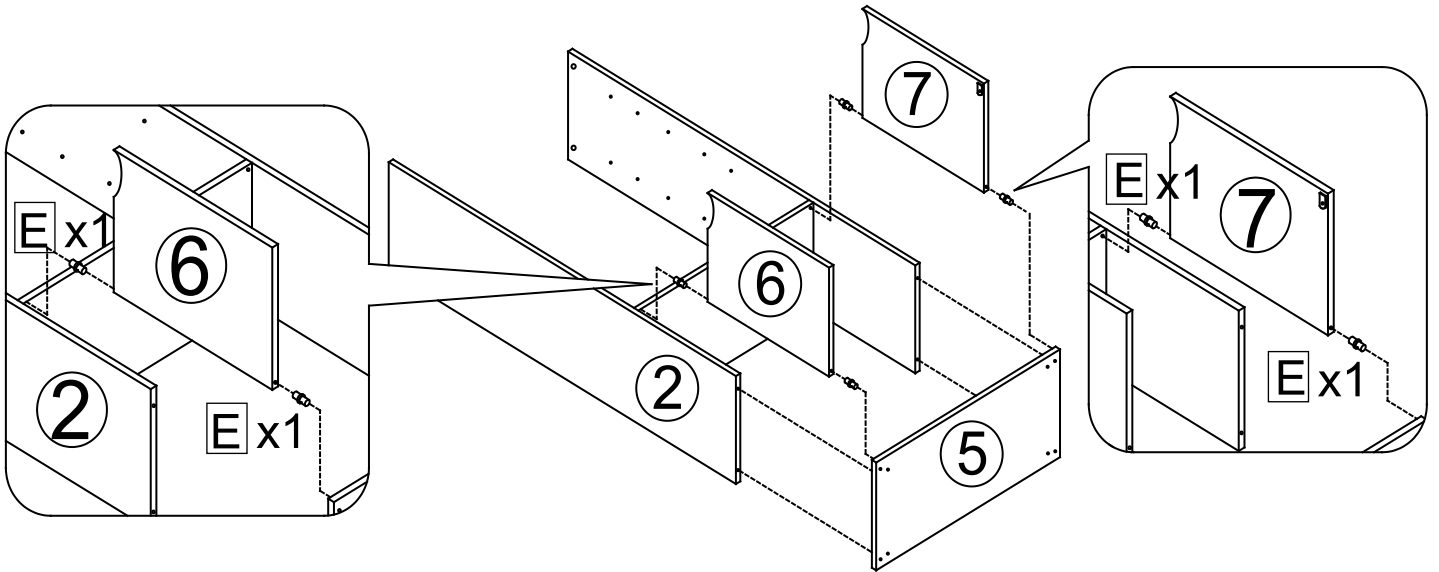


STEP 4

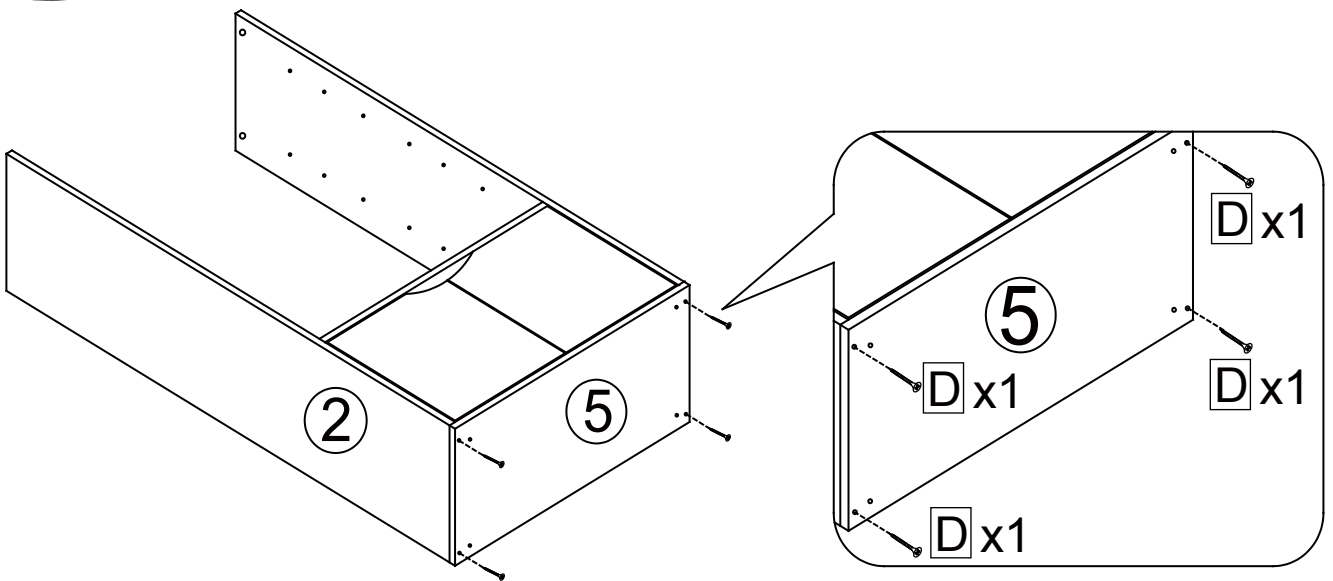


MODEL NAME:
2 DOOR COMPARTMENT BOOKSHELF

STEP 5

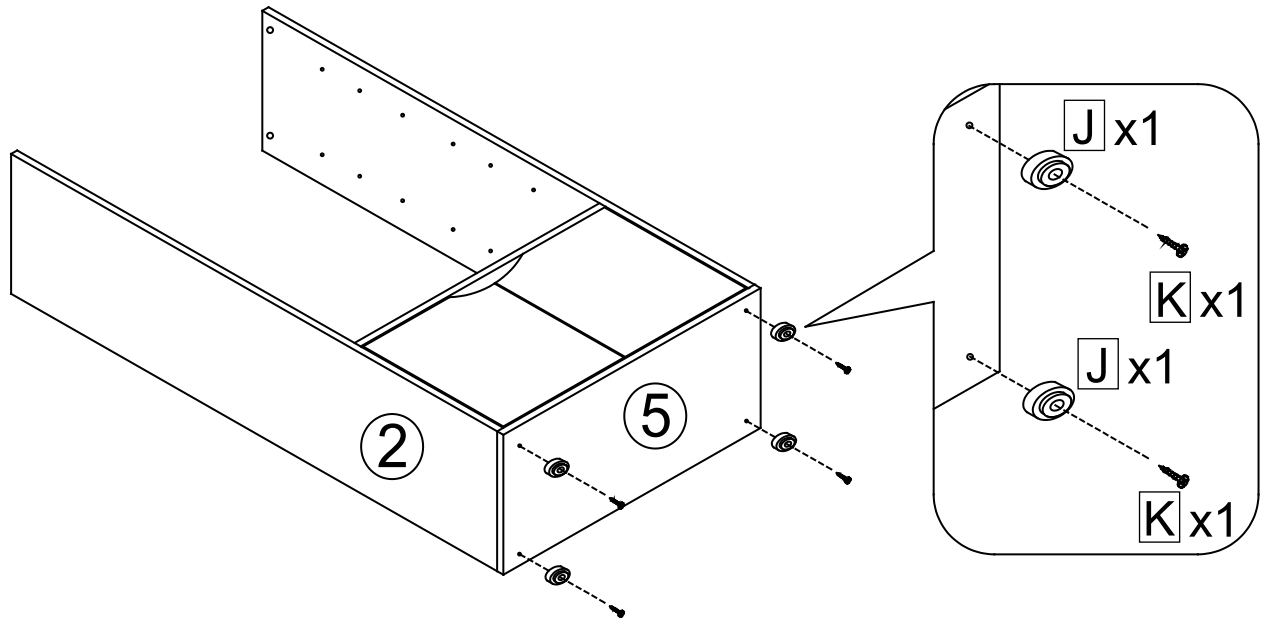


STEP 6

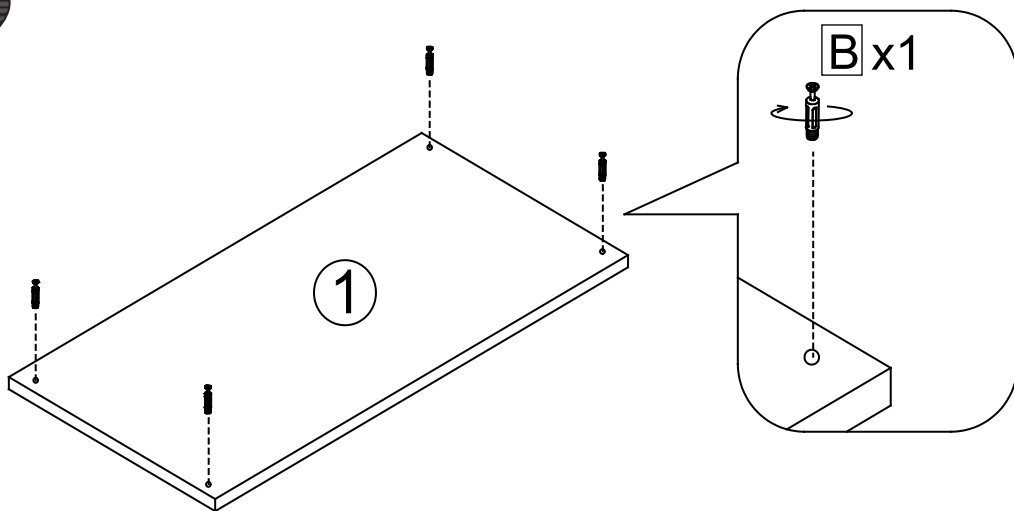


MODEL NAME:
2 DOOR COMPARTMENT BOOKSHELF

STEP 7

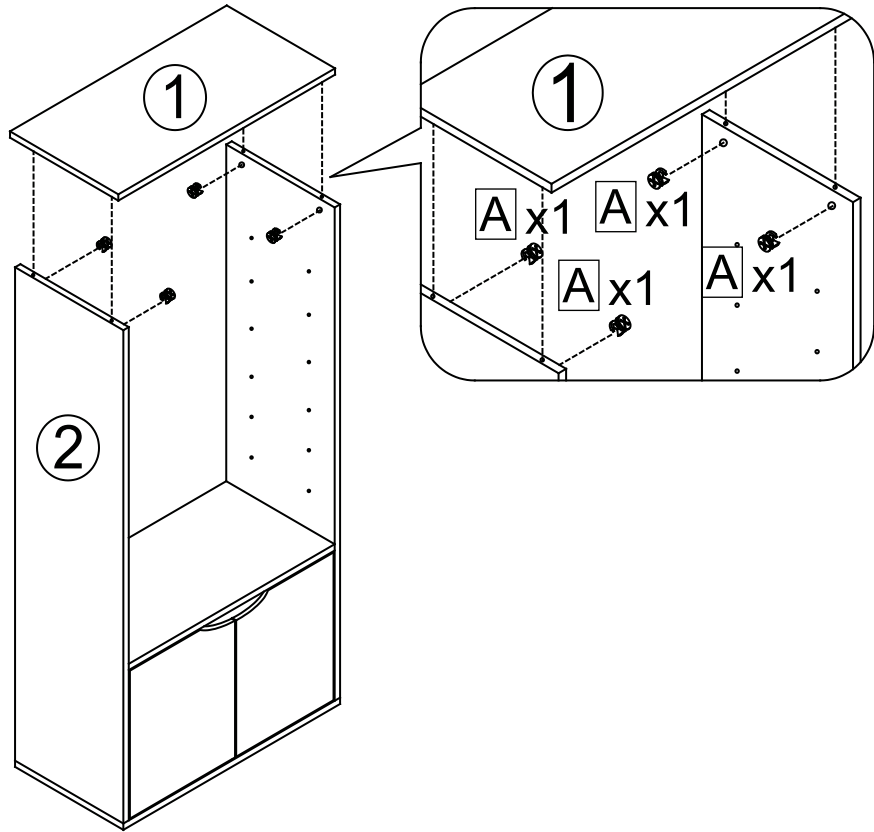


STEP 8

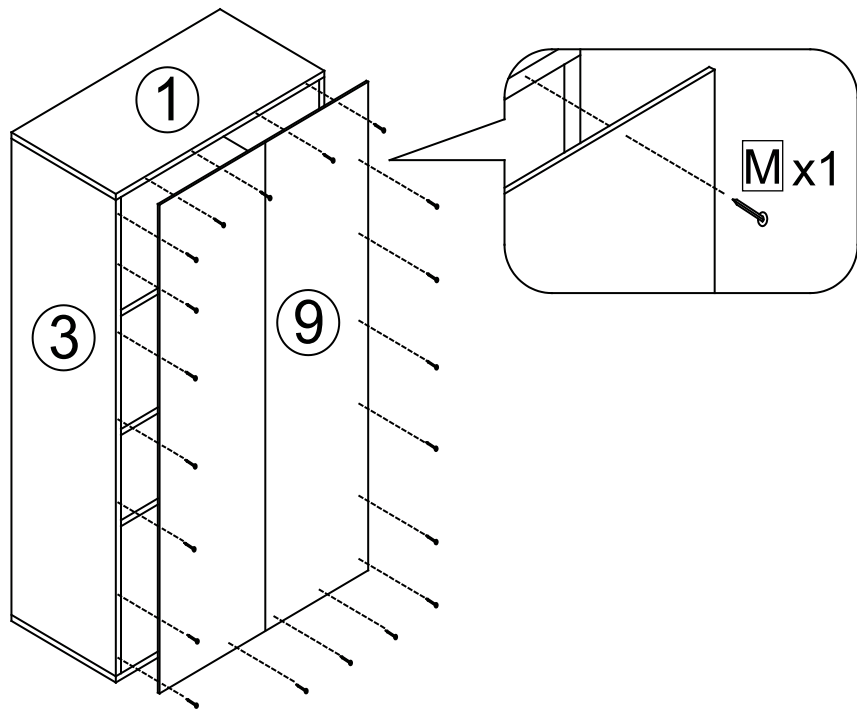


MODEL NAME:
2 DOOR COMPARTMENT BOOKSHELF

STEP 9

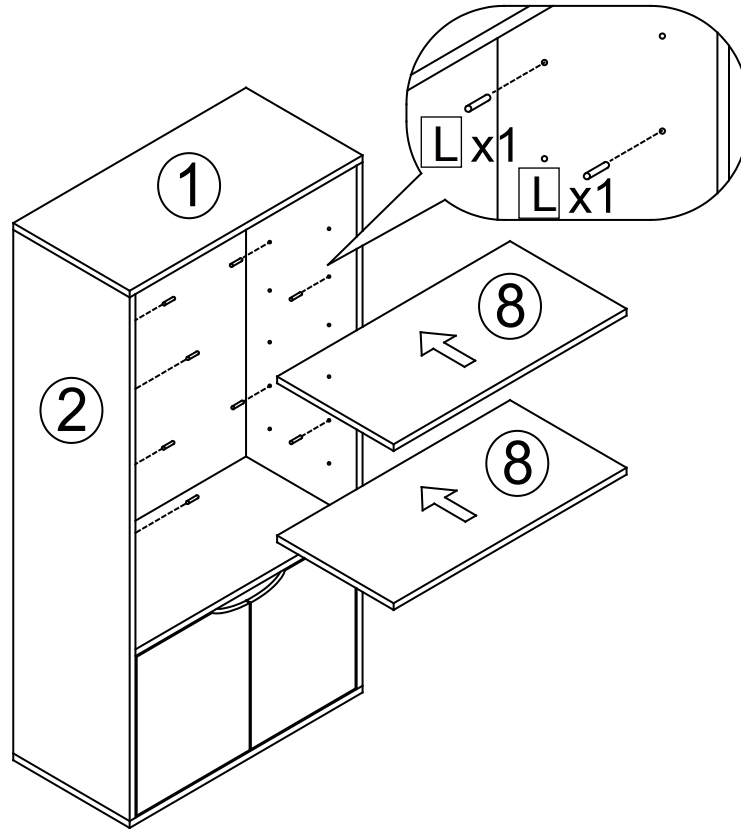


STEP 10



MODEL NAME:
2 DOOR COMPARTMENT BOOKSHELF

STEP 11



STEP 12

