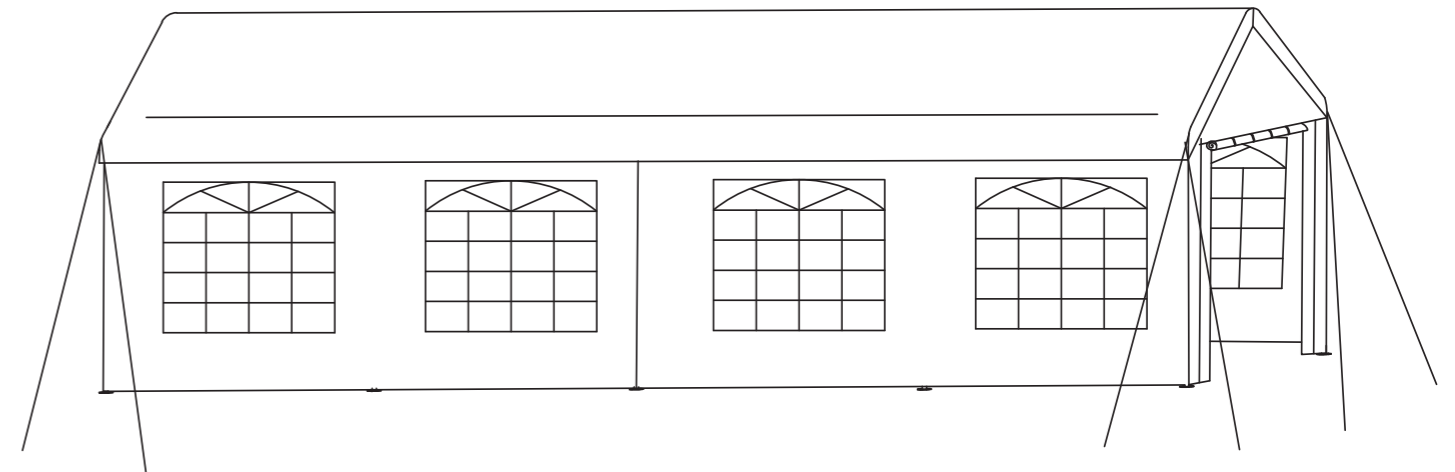


MAKING THE BEST OUTDOOR FURNITURE FOR YOU.



ASSEMBLY INSTRUCTION



13X26 FT PARTY TENT

Product comes packaged in 2 boxes that might not arrive together; Safety measures and professional installation are highly recommended.

Before returning to the store, please contact our Customer Service

service.canopy@outlook.com

We appreciate the trust and confidence you have placed in COBIZI through the purchase of our product. We strive to continually create quality products designed to enhance your home. Visit us online to see our full line of products available for your home improvement needs. Thank you for choosing COBIZI.

Made in China

CONTACT US:

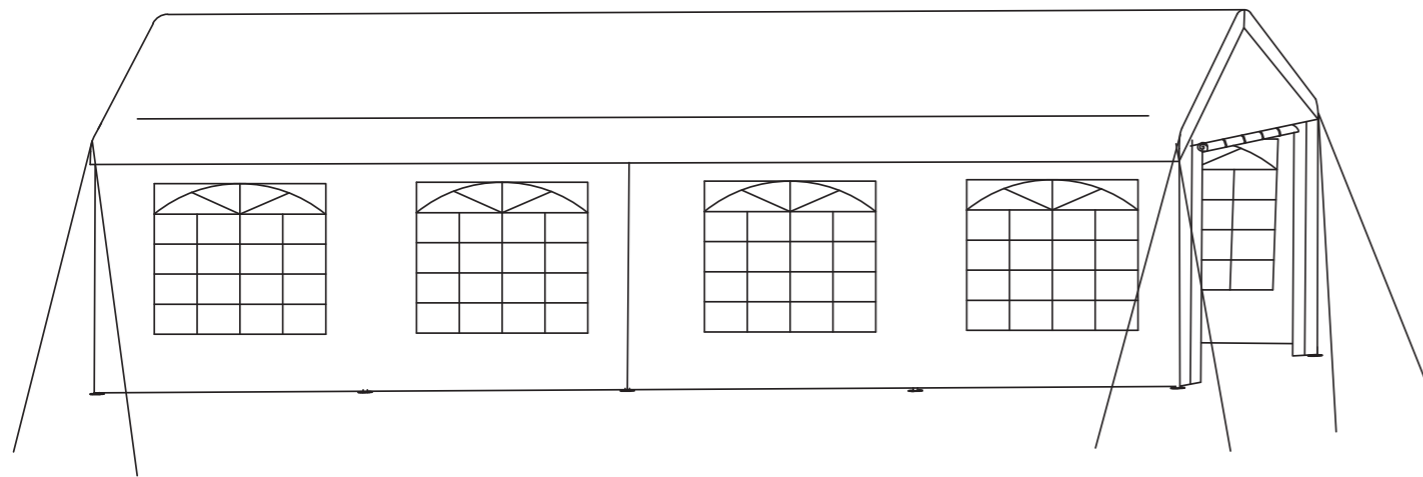
If you have any questions about the installation of COBIZI products, just e-mail us at service.canopy@outlook.com.

Alternative method to contact us (amazon.com orders only)

1. Log into your Amazon account
2. Go to "Your Orders" and find the purchase
3. Click on "Contact Seller"



10





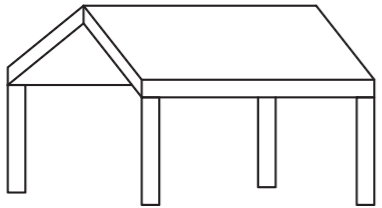
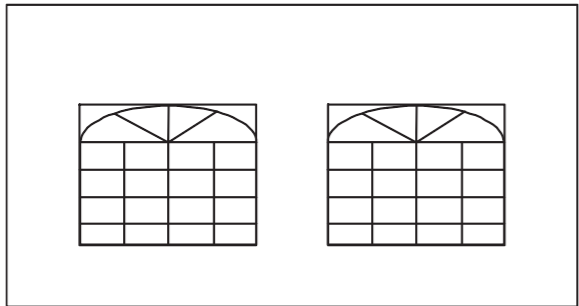
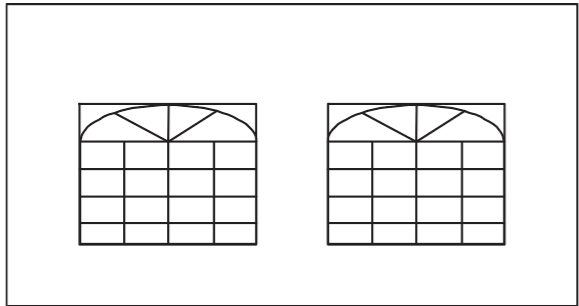
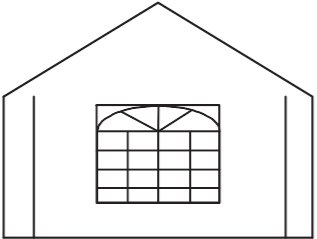
Installation Completed

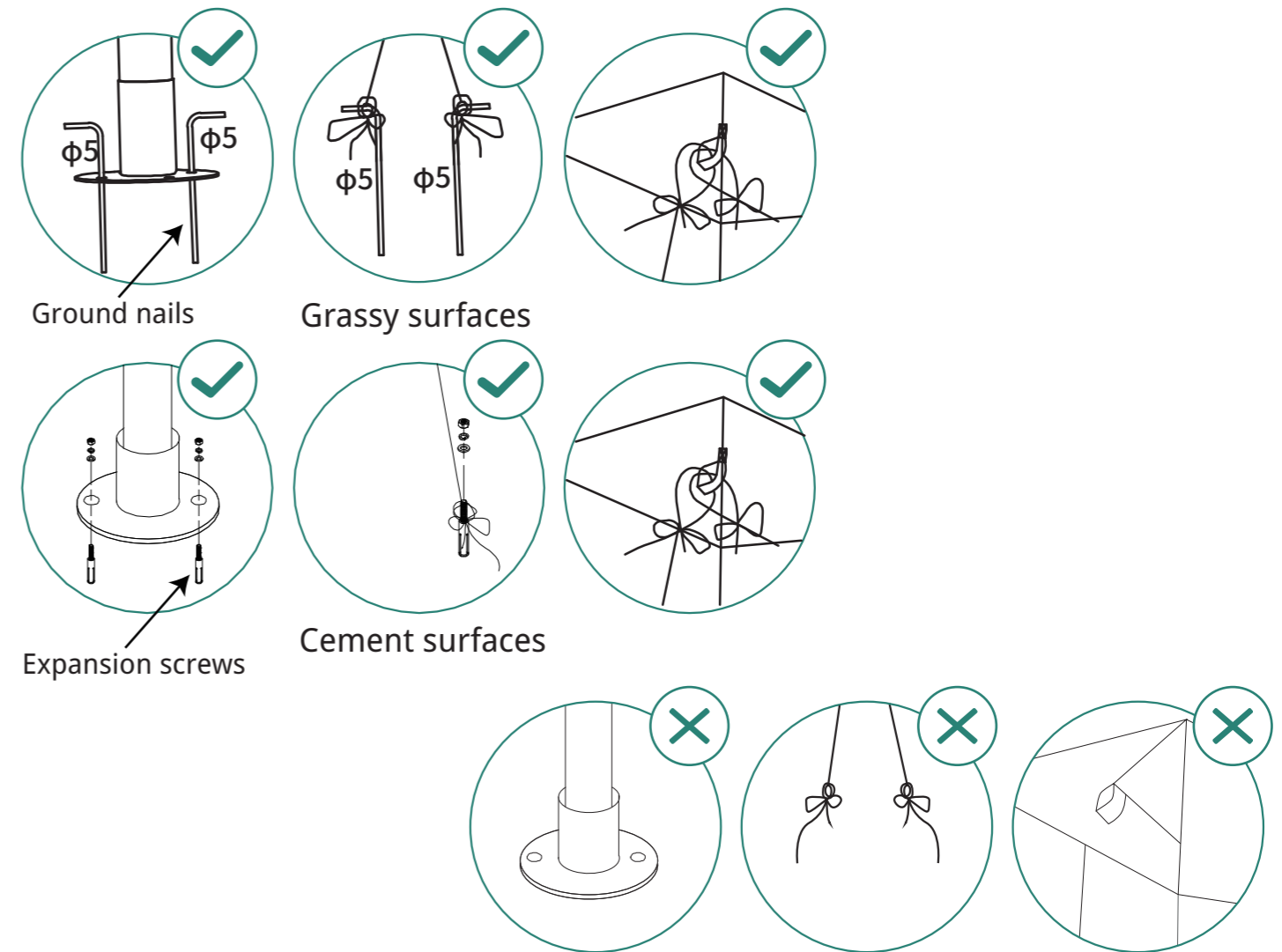


1. Assembly requires a minimum of three individuals.
2. It is advisable to have a ladder for the assembly process.
3. Before commencing assembly, make sure to gather all the necessary parts and arrange them systematically.
4. Under no circumstances should candles, matches, or any open flames be used inside or in close proximity to the tent.
5. If any part of the pipe is deformed during transportation, you can use pliers to restore the shape of the pipe.

Item no.	Reference Image	Qty.
1	 φ38*1930mm	X12
2	 φ38*2040mm	X10
3	 φ38*1910mm	X10
4	 φ28*2020mm	X8
A		X6
B		X9
	 φ5	Tent peg X28
F		X10
	 M6X60mm	X10

9

Reference Image	Qty.
	X8
	X76 (extra 8 pcs)
	X1
W1 	X2
W2 	X2
	X2

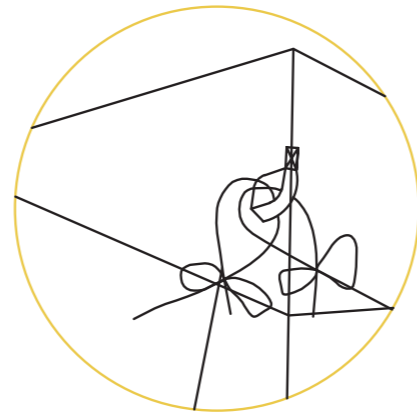
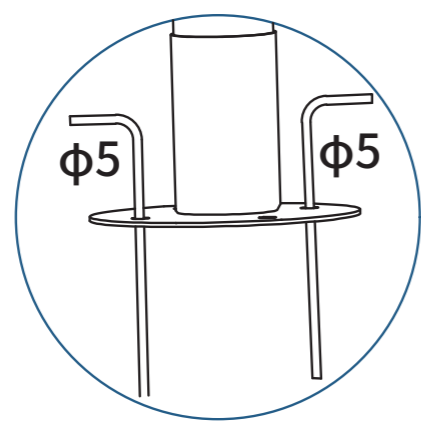
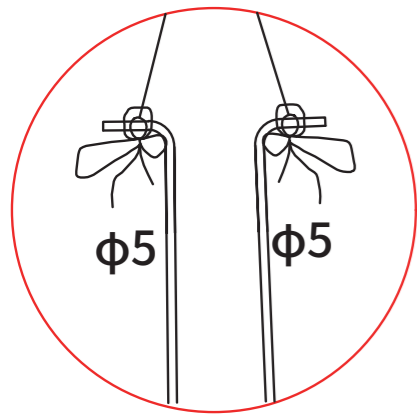
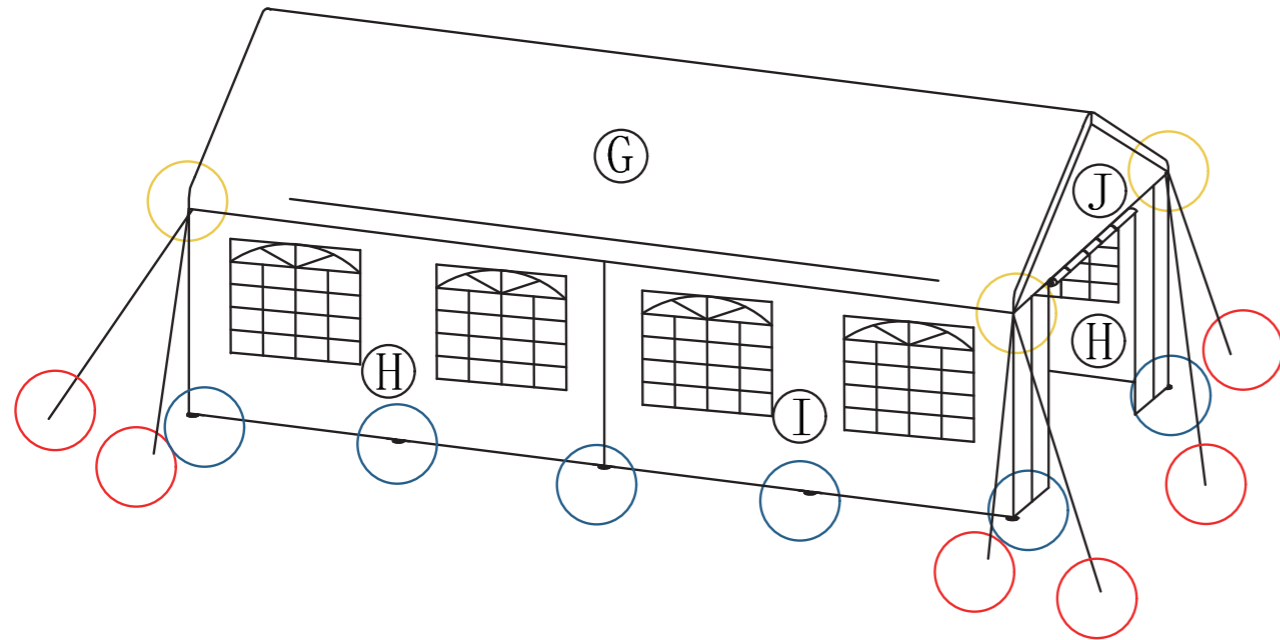


To improve wind resistance, **be sure to complete this installation step. If expansion screws or ground nails are not installed, strong winds may topple the gazebo.** Expansion screws are essential for stability on cement surfaces, and ground nails are for grassy surfaces. Ground nails are included in the package while expansion screws are not provided.

8

$\phi 5$
28pcs

8pcs

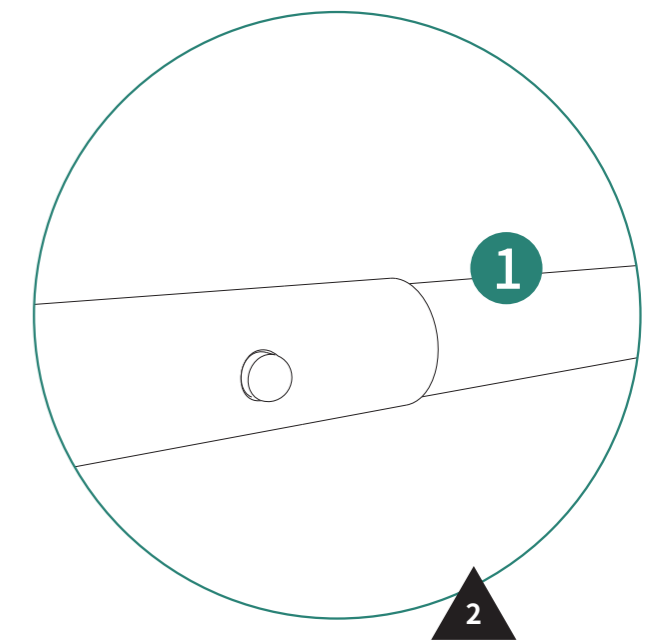
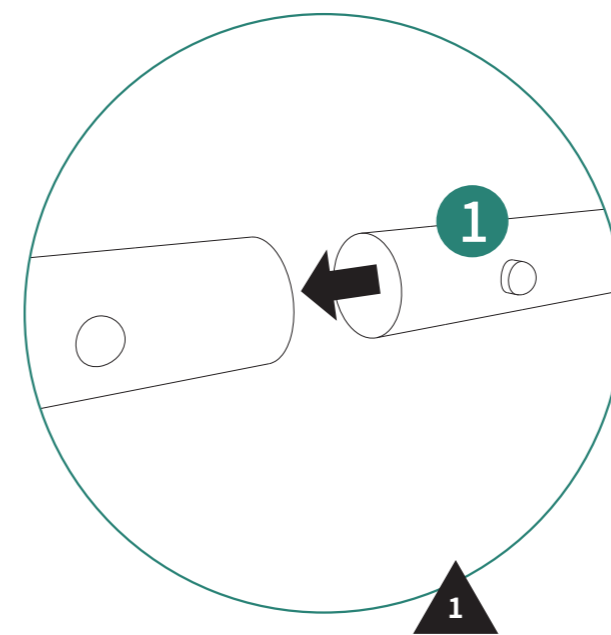
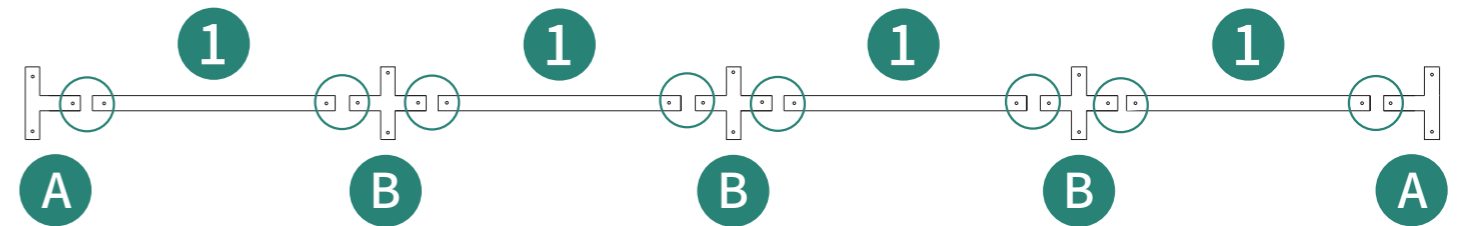


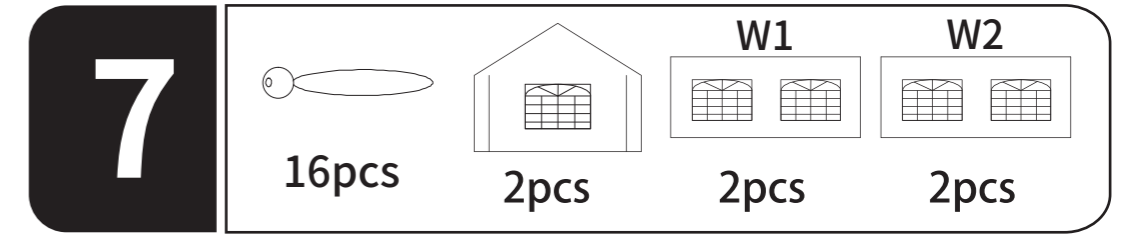
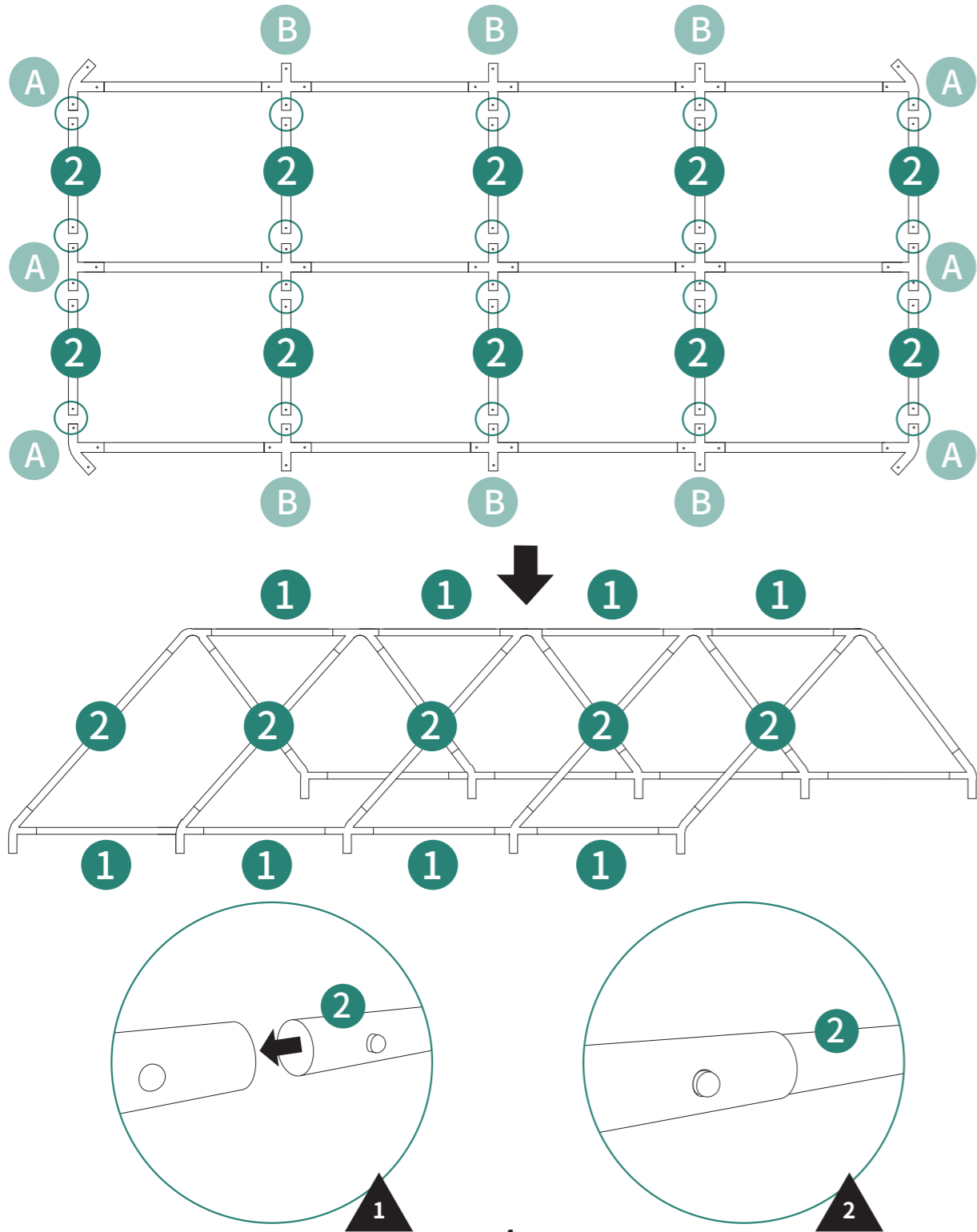
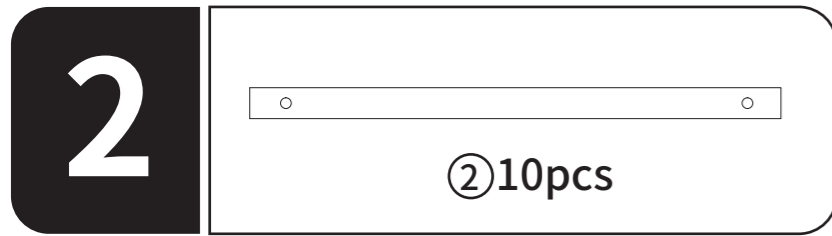
1
X3

①12pcs

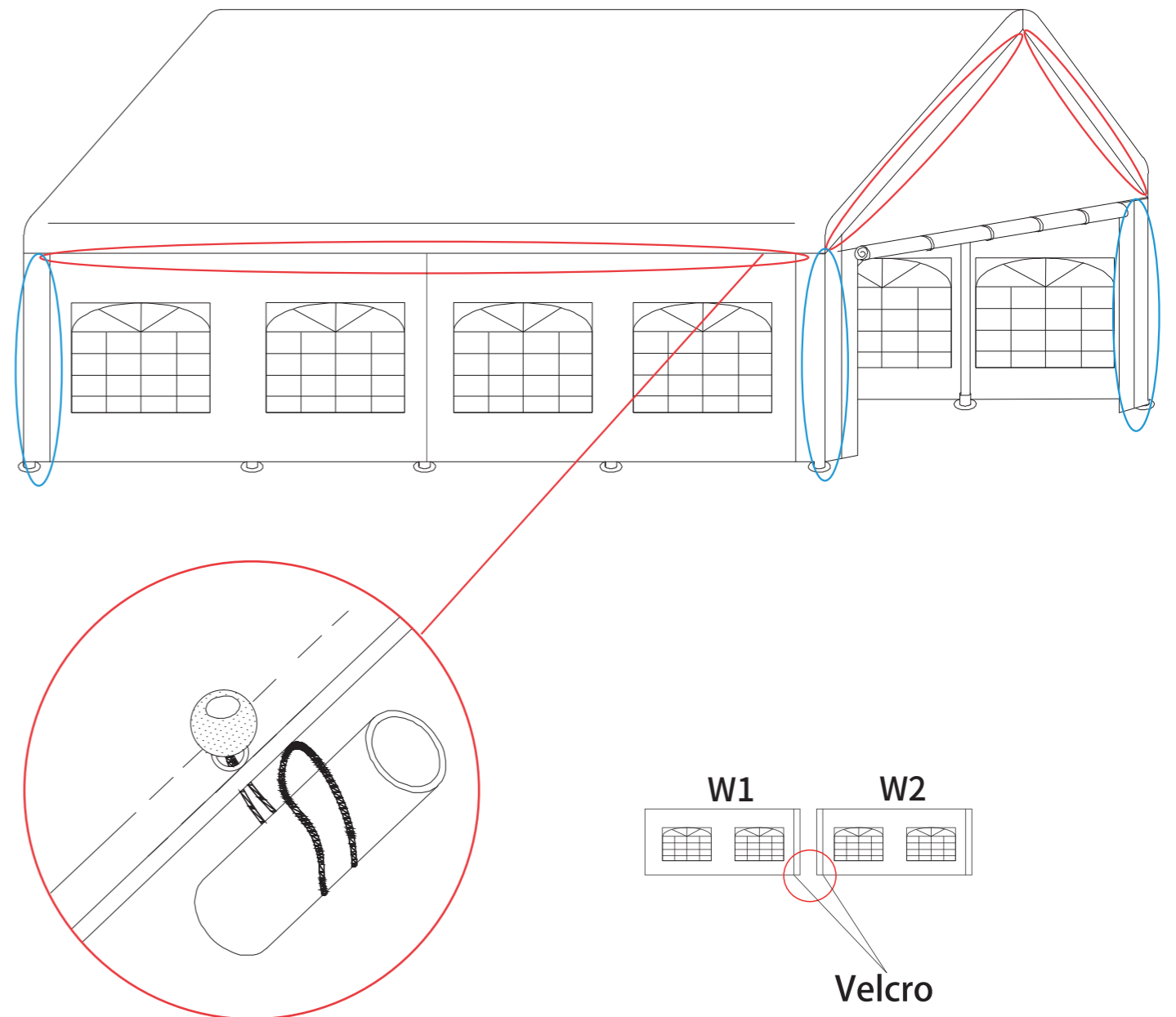
Ⓐ6pcs

Ⓑ9pcs






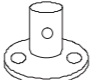
The fasteners marked in red are the same ones used in step 3.
 4 bungee cord fasteners are needed for part 4 (marked in blue).
 Hang SIDE WALL W1 and W2 from left to right, the other side is the same.




6



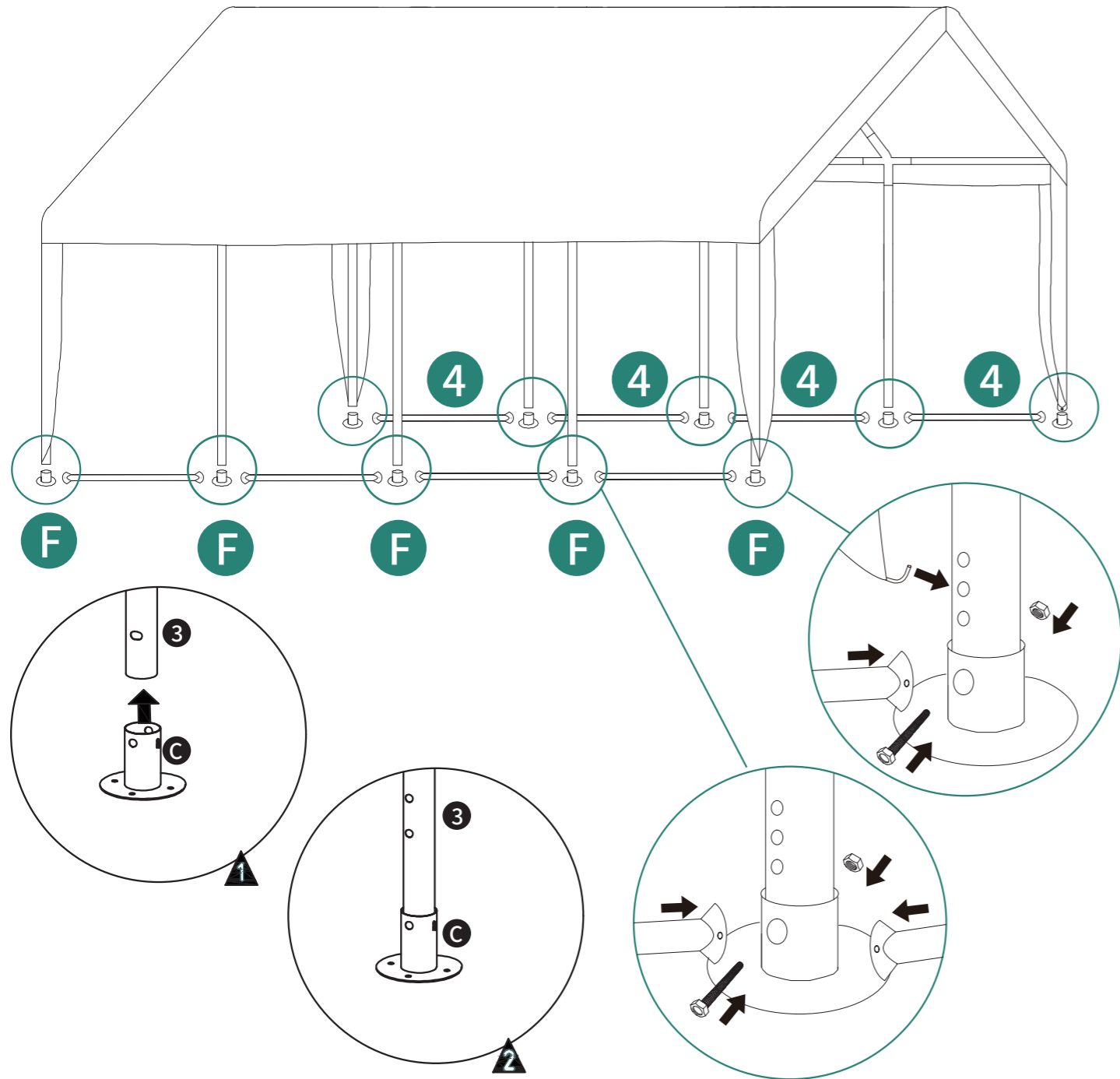
④ 8pcs



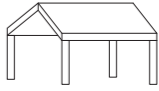
10pcs




10pcs



3

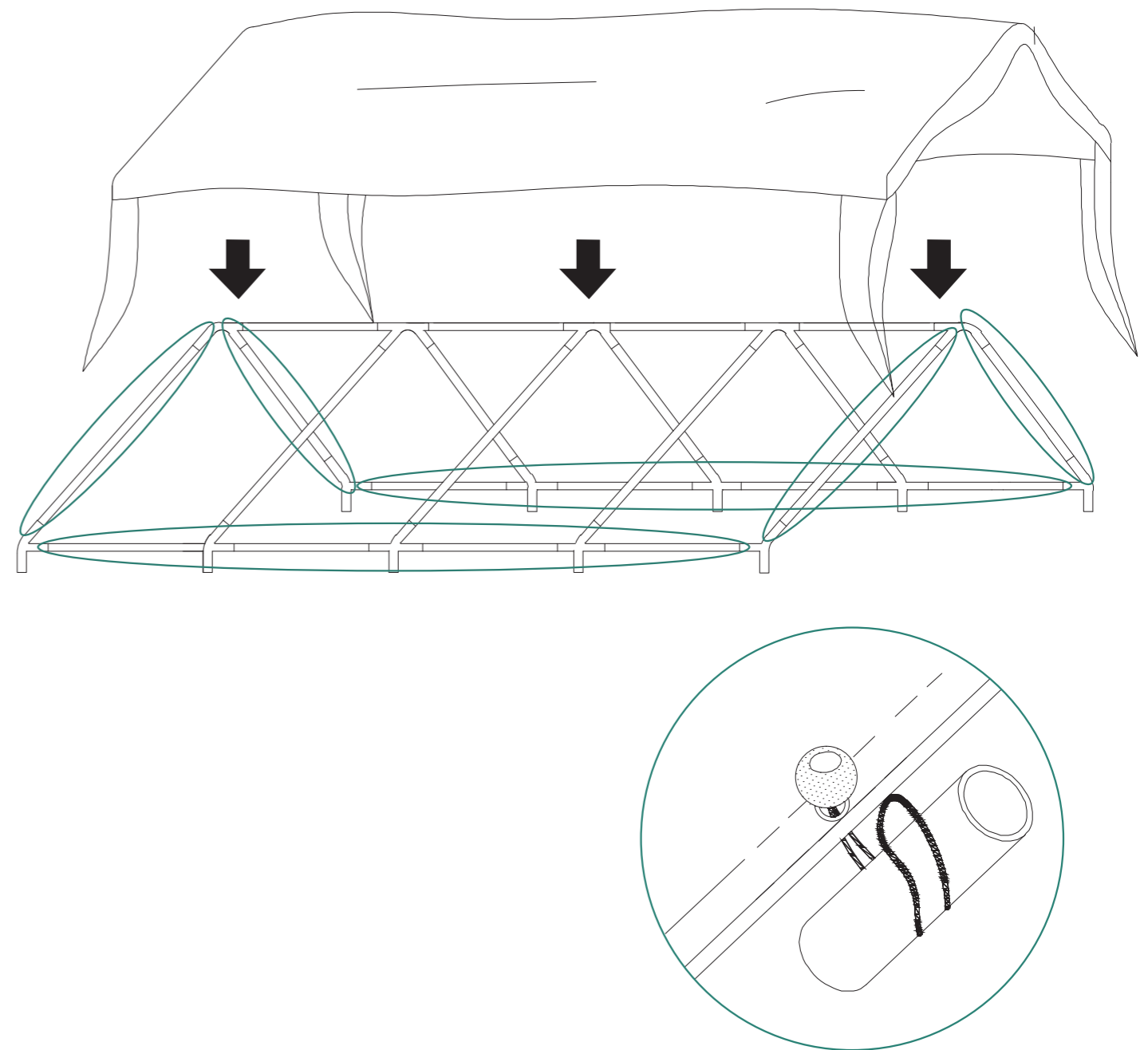


1pc



52pcs

4 and 8 bungee cord fasteners are used for parts 1 and 2 to temporarily secure. These same fasteners are used to secure the cloth during step 7.



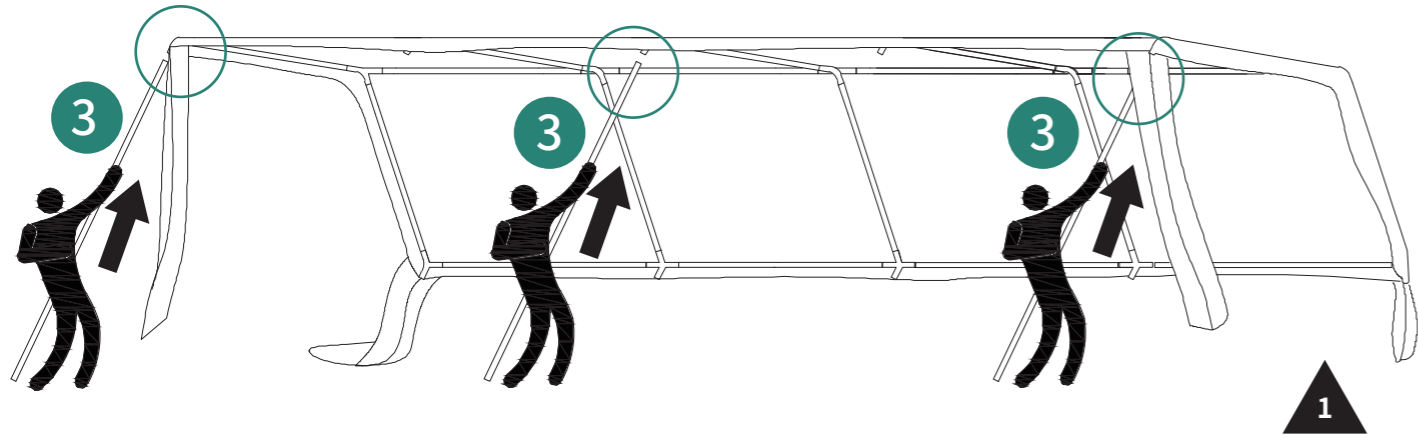


MAKING THE BEST OUTDOOR FURNITURE FOR YOU.

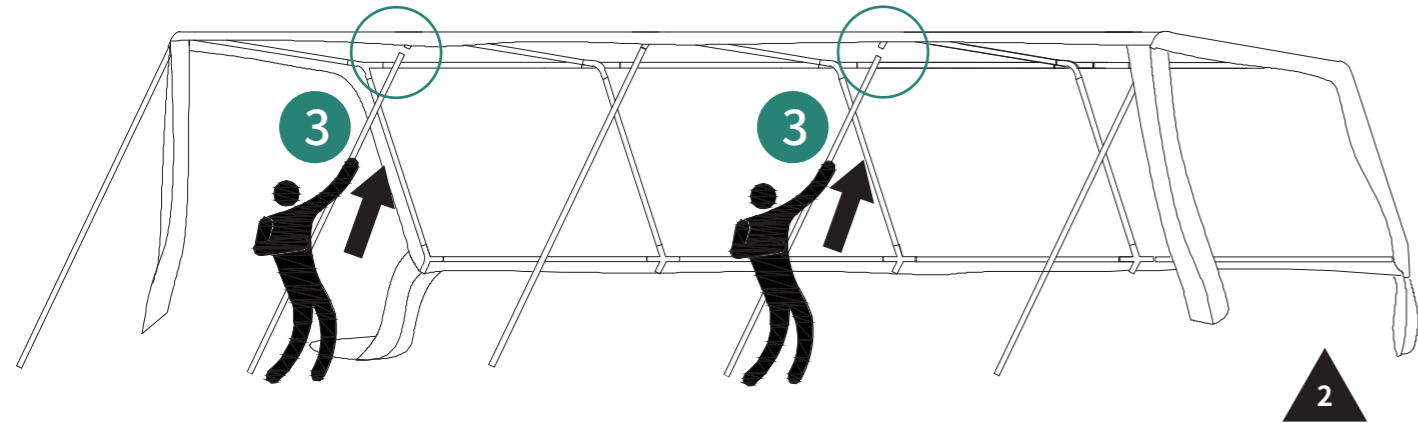
4



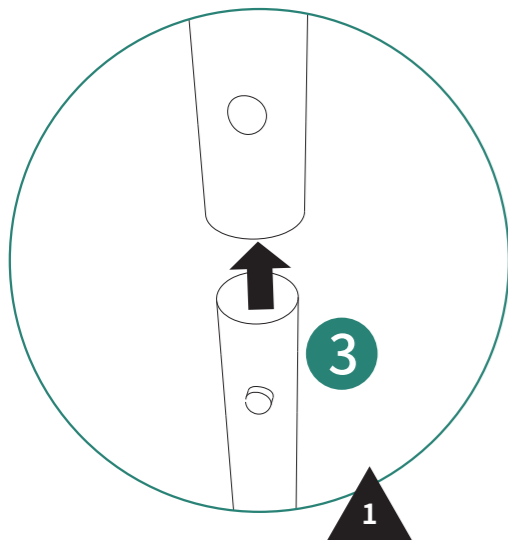
③5pcs



1

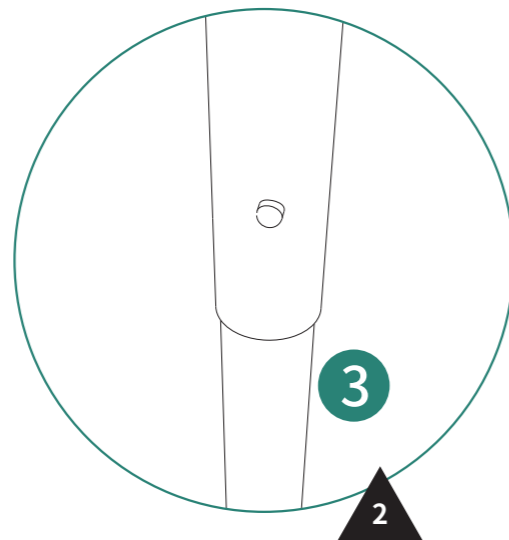


2



3

1



3

2

6

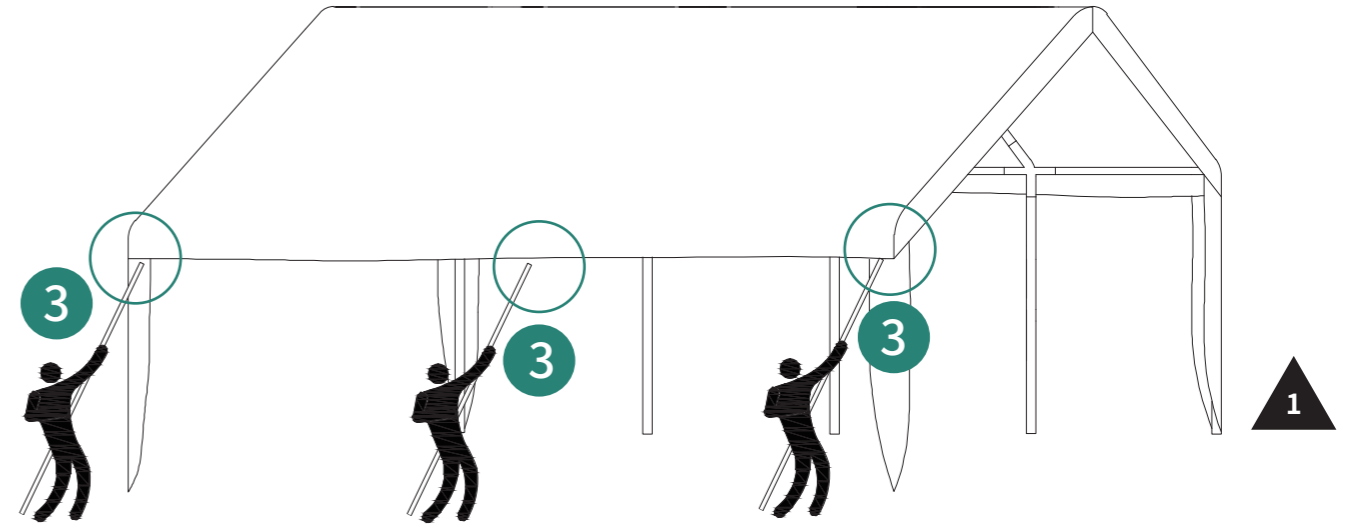


MAKING THE BEST OUTDOOR FURNITURE FOR YOU.

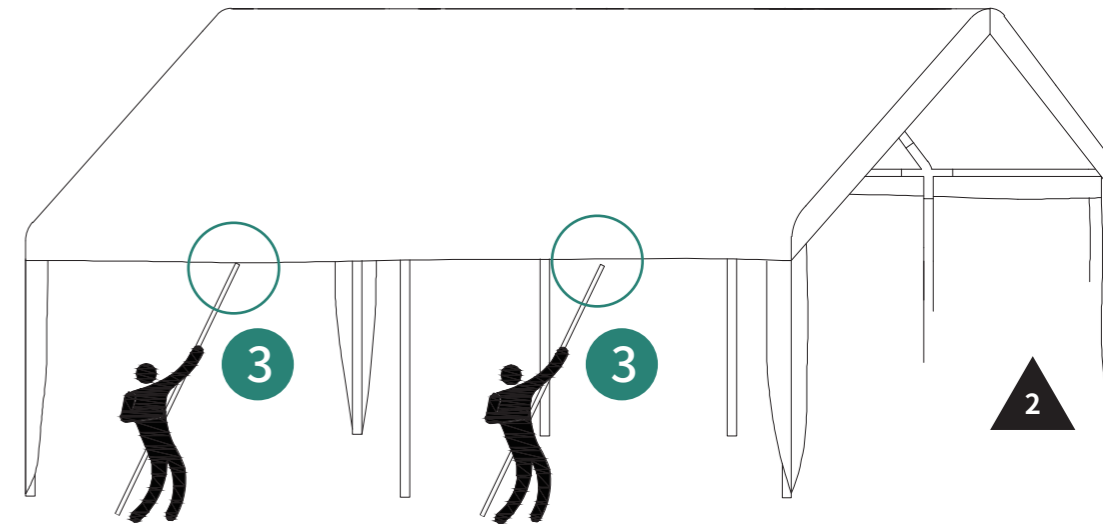
5



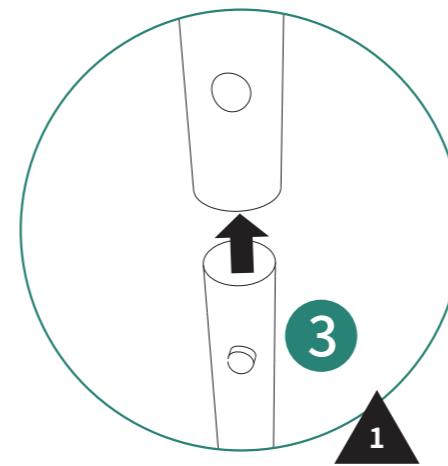
③5pcs



1

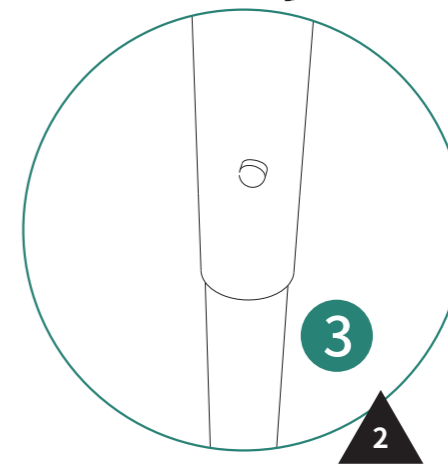


2



3

1



3

2

7