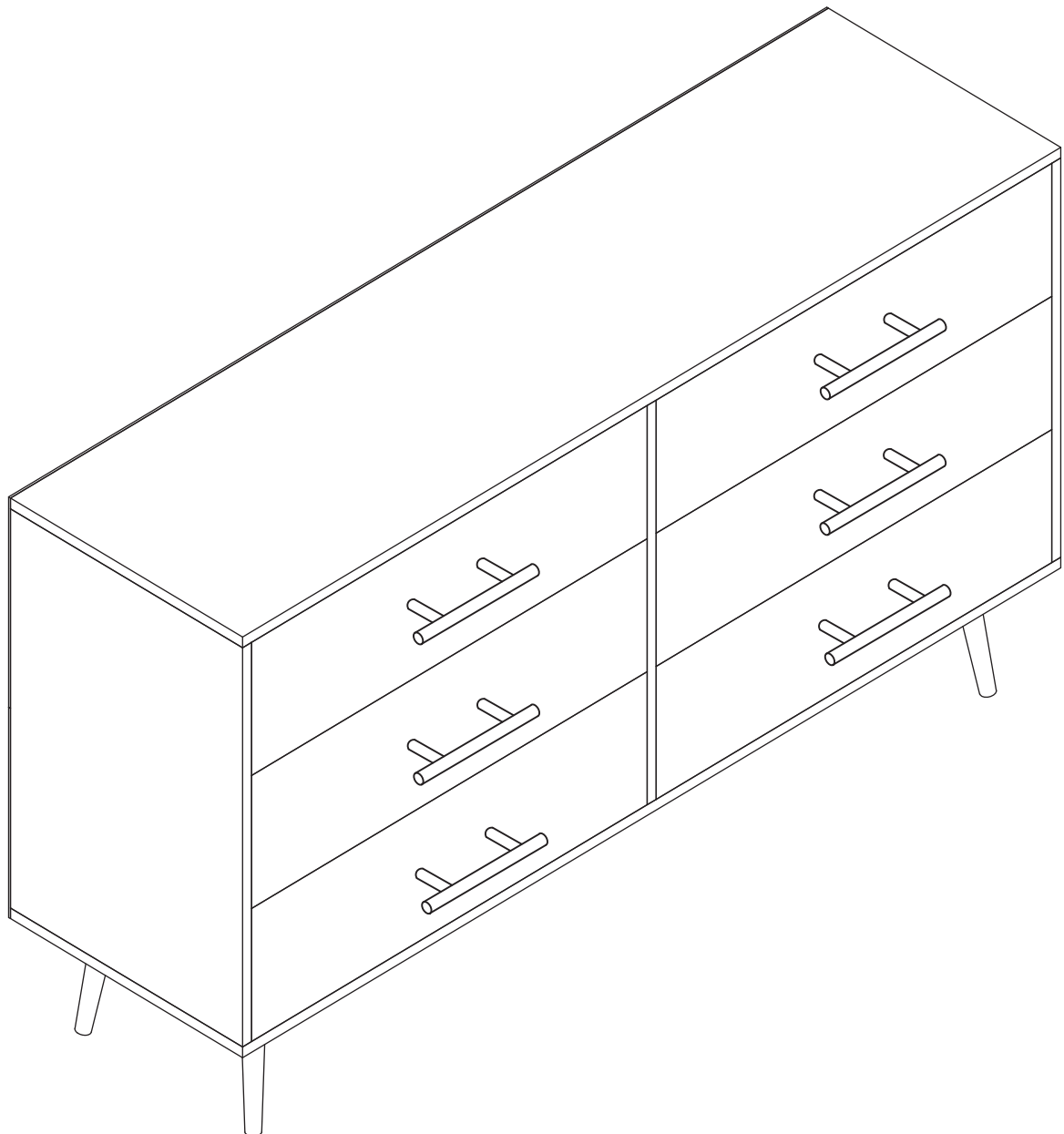


ASSEMBLY INSTRUCTIONS



THIS INSTRUCTIONS CONTAINS IMPORTANT SAFETY INFORMATION.

PLEASE READ BEFORE ASSEMBLY AND KEEP FOR FUTURE REFERENCE.

Need Parts or Assistance? Email us at langhorn_service@hotmail.com

IMPORTANT NOTICE

- This product contains small components, please ensure that they are kept away from small children.
- THIS INSTRUCTIONS CONTAINS IMPORTANT SAFETY INFORMATION. PLEASE READ BEFORE ASSEMBLY AND KEEP FOR FUTURE REFERENCE.
- Read each step carefully. It is very important that each step of instruction is performed in the correct order. If these steps are not followed in sequence, assembly difficulties will occur.
- Make sure all parts are included. Most parts are labelled or stamped on the raw edge.
- Work in spacious area, preferably on a carpet, near the place the unit will be used.
- Do not use power tools to assemble your furniture. Power tools may strip or damage the parts.
- Move your new furniture carefully, with two people lift and carry the unit to it's new location.
- Never push, drag or pull your furniture (especially on carpet)



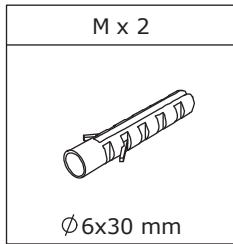
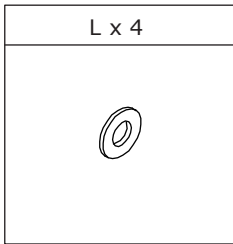
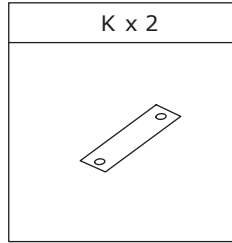
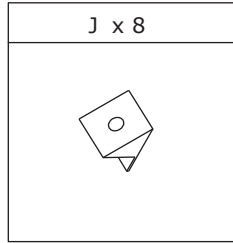
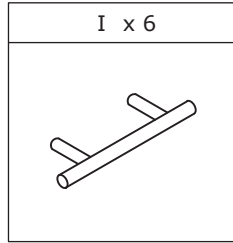
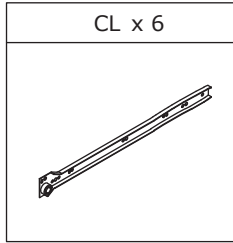
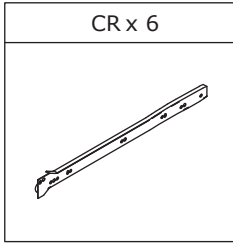
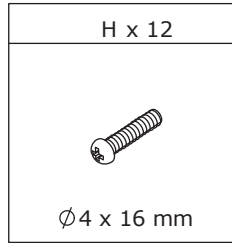
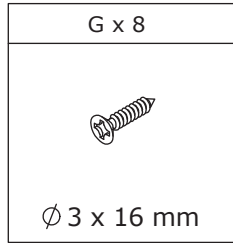
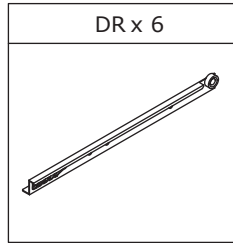
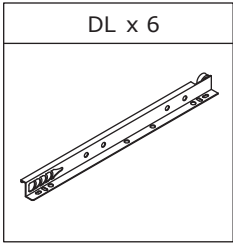
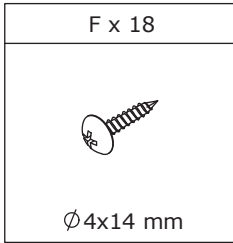
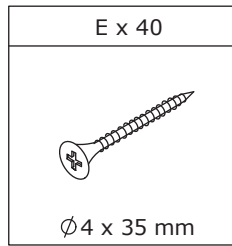
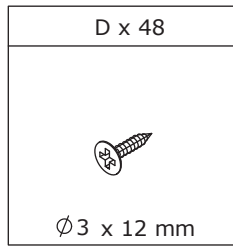
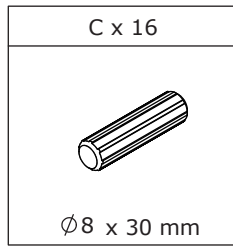
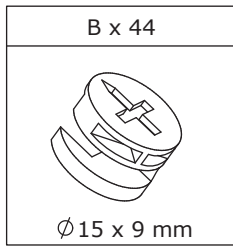
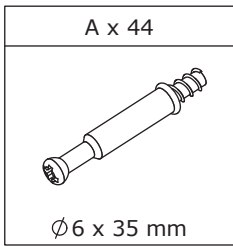
PLEASE DO NOT RETURN PRODUCT TO US IMMEDIATELY

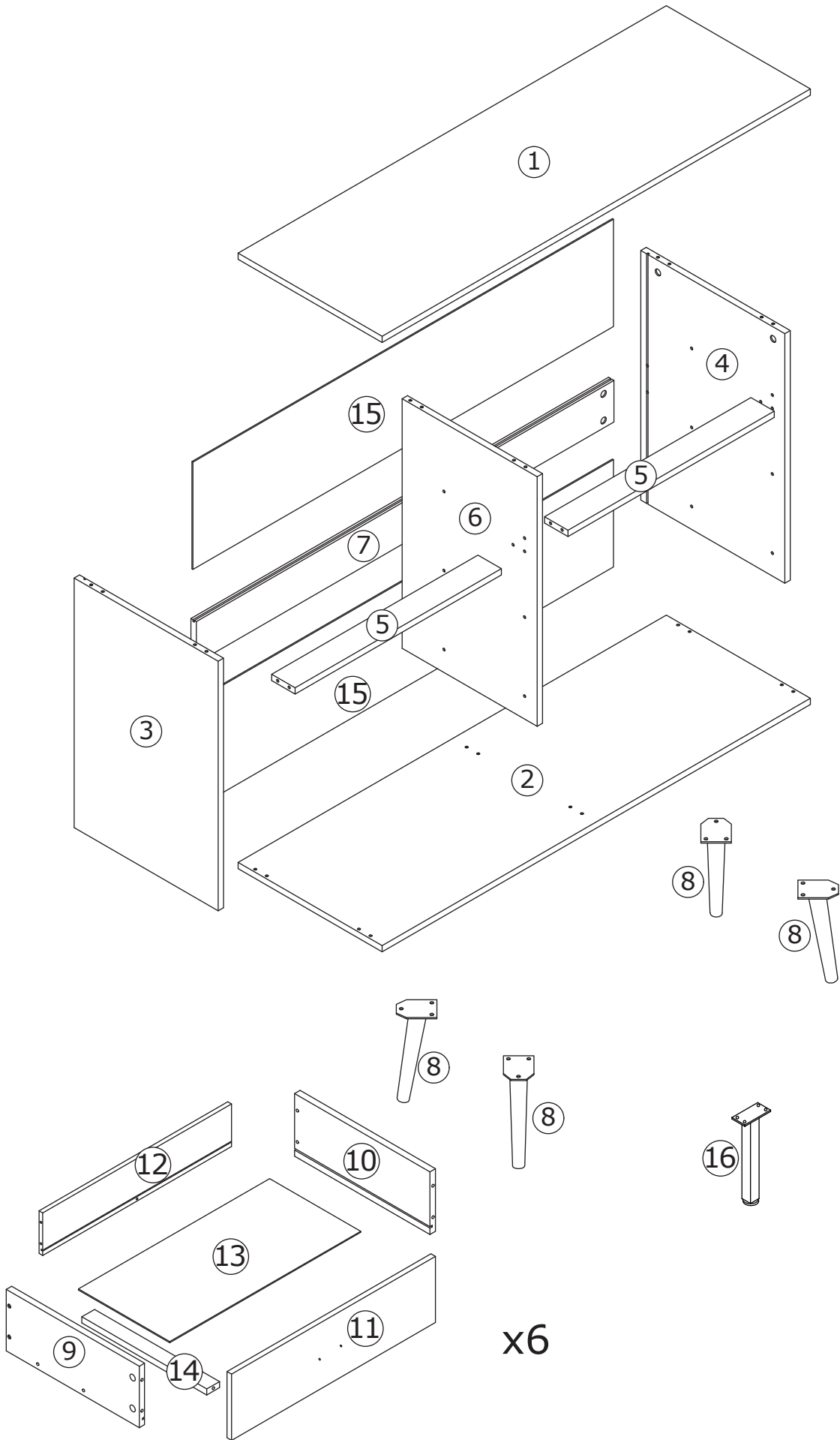
If a part is missing or damaged, email our customer service. We will gladly ship your replacement parts FREE of charge.

Need Parts or Assistance? Email us at langhorn_service@hotmail.com

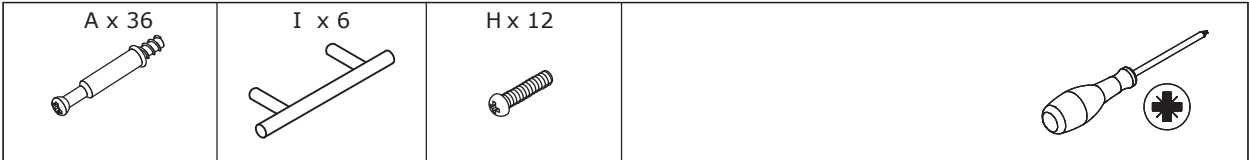
For Prompt, reliable service, please have your assemble instruction ready.

 WARNING	
	<p>Children have died from furniture tipover. To reduce the risk of furniture tipover:</p> <ul style="list-style-type: none">• ALWAYS install tipover restraint provided.• NEVER put a TV on this product.• NEVER allow children to stand, climb or hang on drawers, doors, or shelves.• NEVER open more than one drawer at a time.• Place heaviest items in the lowest drawers.
	

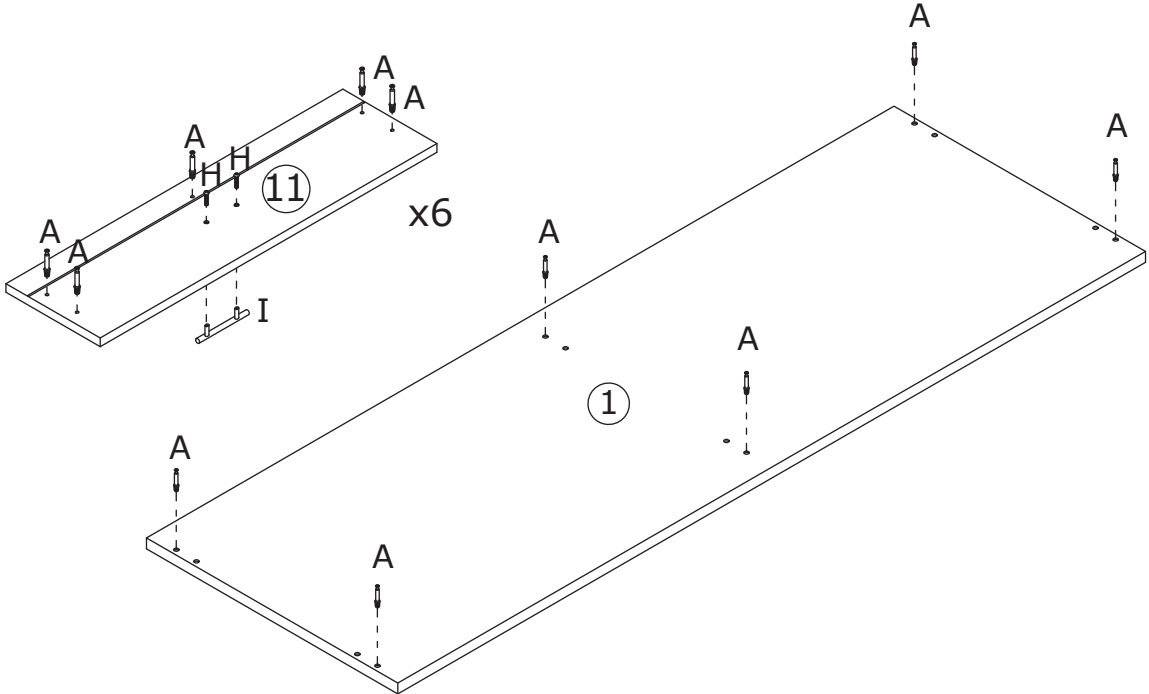




1



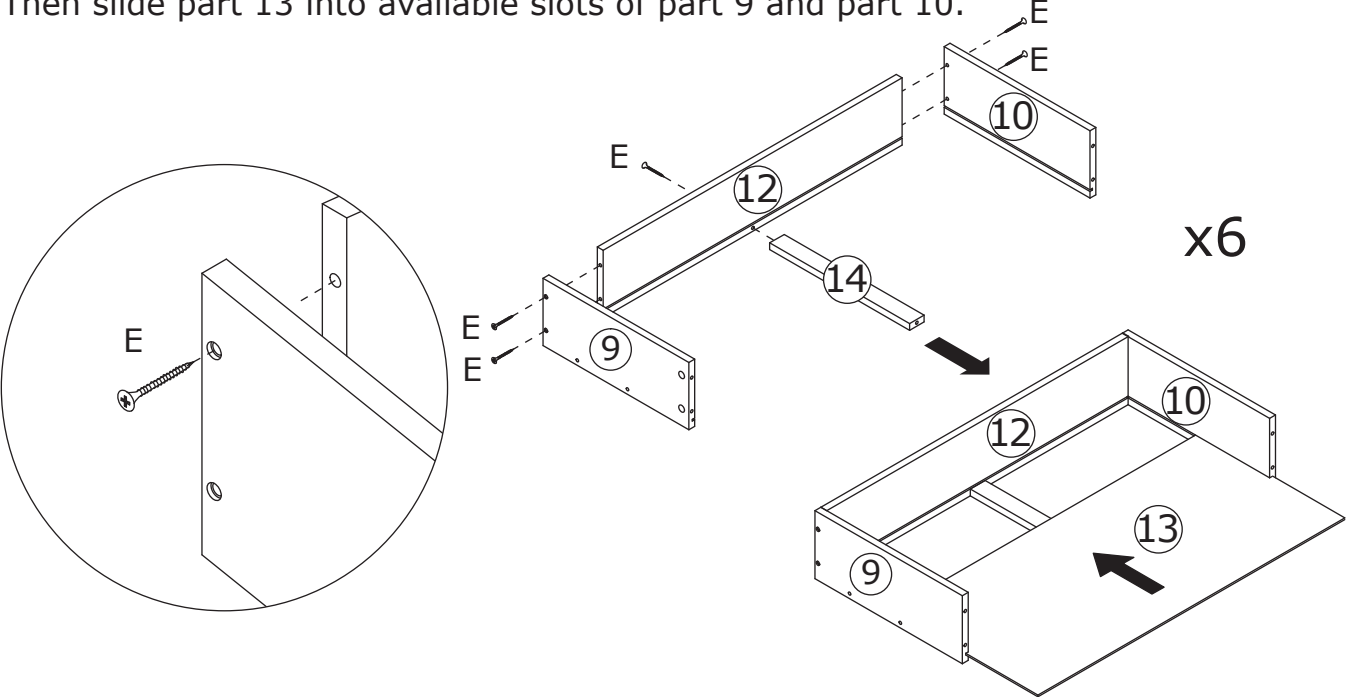
Insert screws (A) into part 1 and part 11 as shown.
Then install the handle (I) to part 11 using screws (H).



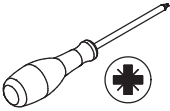
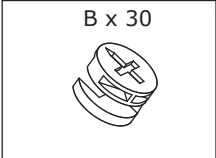
2



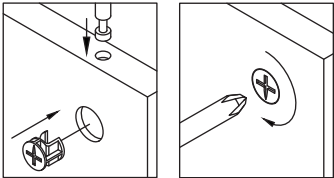
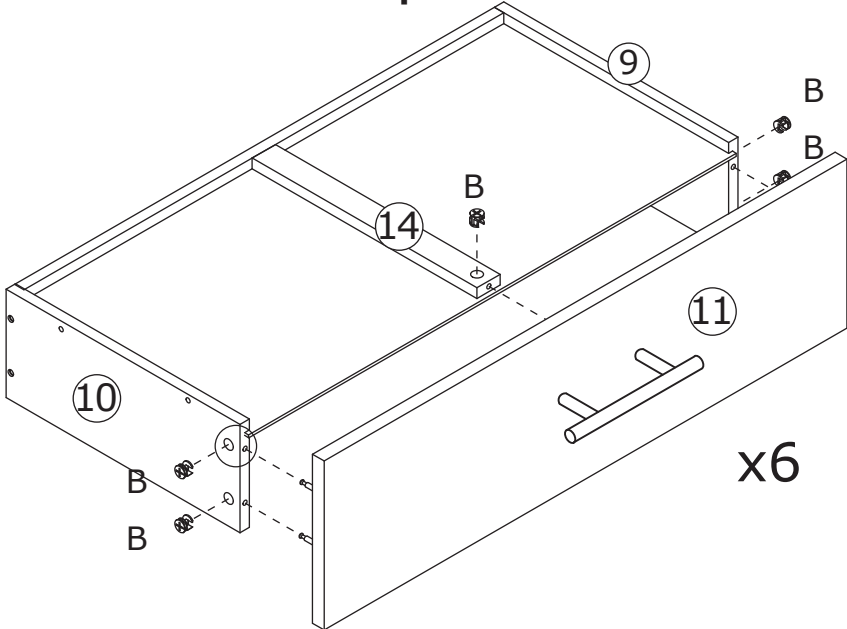
Attach part 9, part 10 and part 14 to part 12 using screws (E).
Then slide part 13 into available slots of part 9 and part 10.



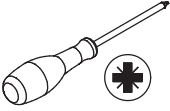
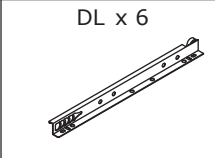
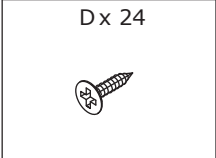
3



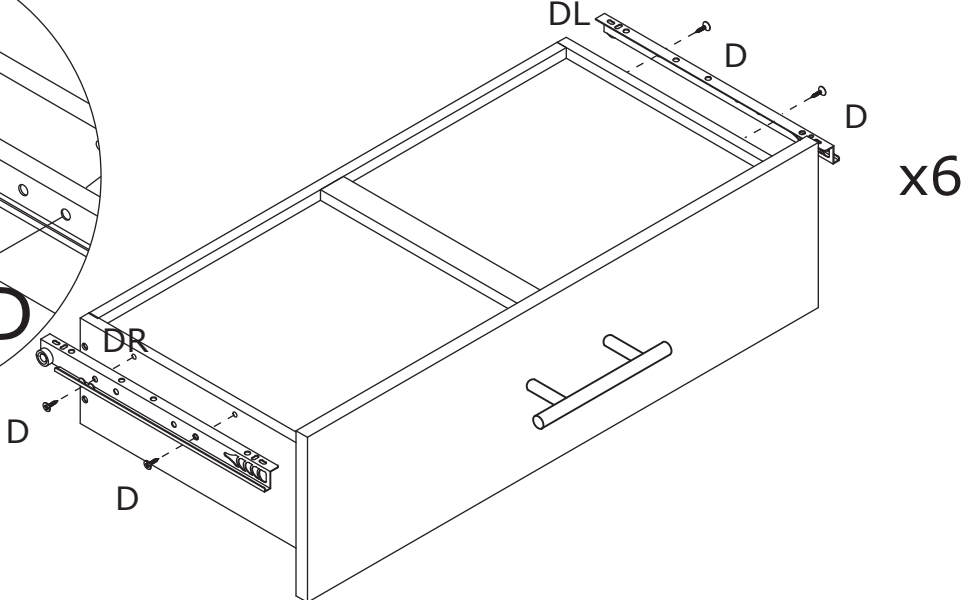
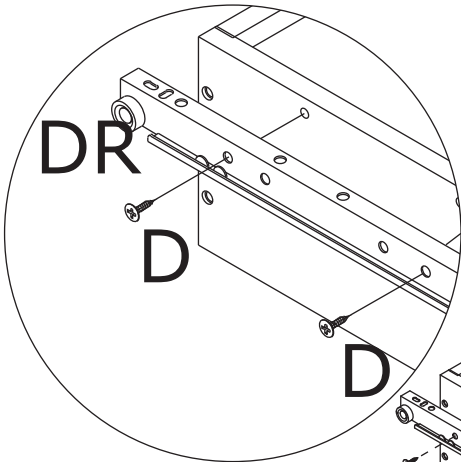
Insert cam locks (B) to part 9 and part 10, then attach part 11 as shown.
Turn cam locks 180° clockwise to tighten.
DO NOT OVER-TIGHTEN to avoid parts broken.



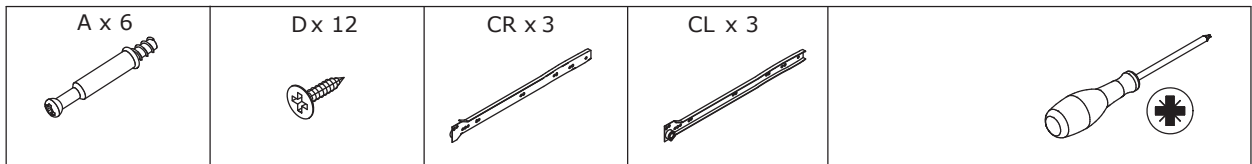
4



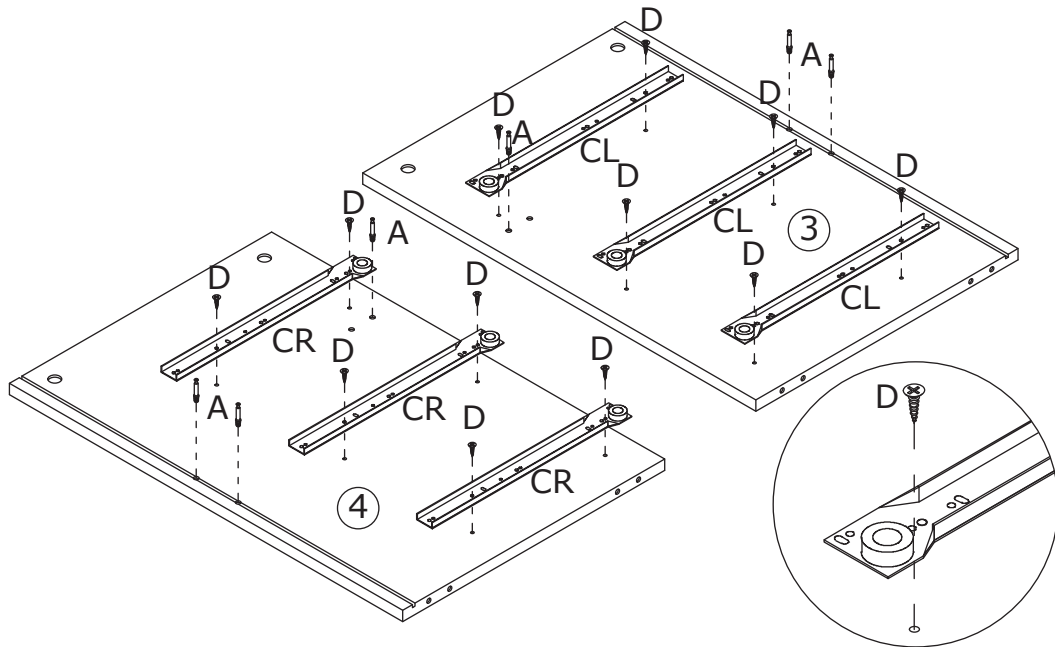
Fix drawer runner (DR) to part 10 and drawer runner (DL) to part 9 using screws (D).



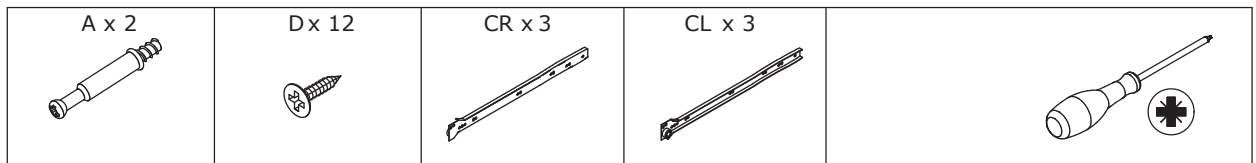
5



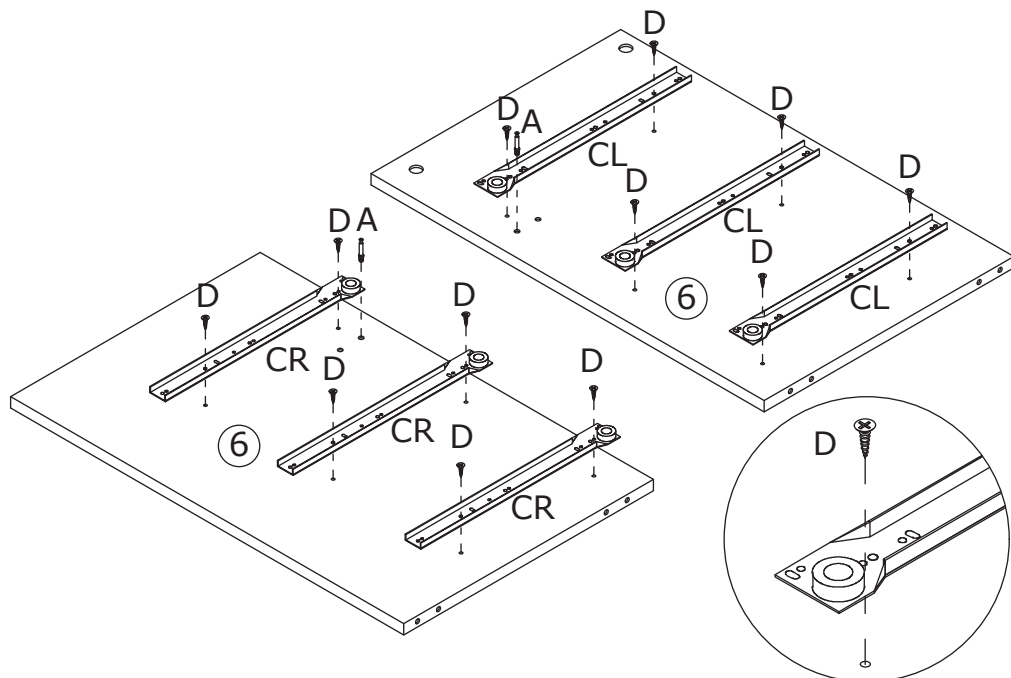
Insert screws (A) to part 3 and part 4 as shown. Then fix drawer runner (CL) to part 3 and fix drawer runner (CR) to part 4 using screws (D) as shown.



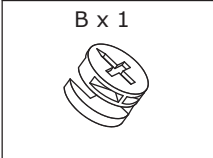
6



Insert screws (A) to part 6 on both sides as shown. Then fix drawer runner (CL) to its right side and fix drawer runner (CR) to its left side using screws (D) as shown. Please note this dresser ONLY has one part 6. Here is showing the two sides of part 6.

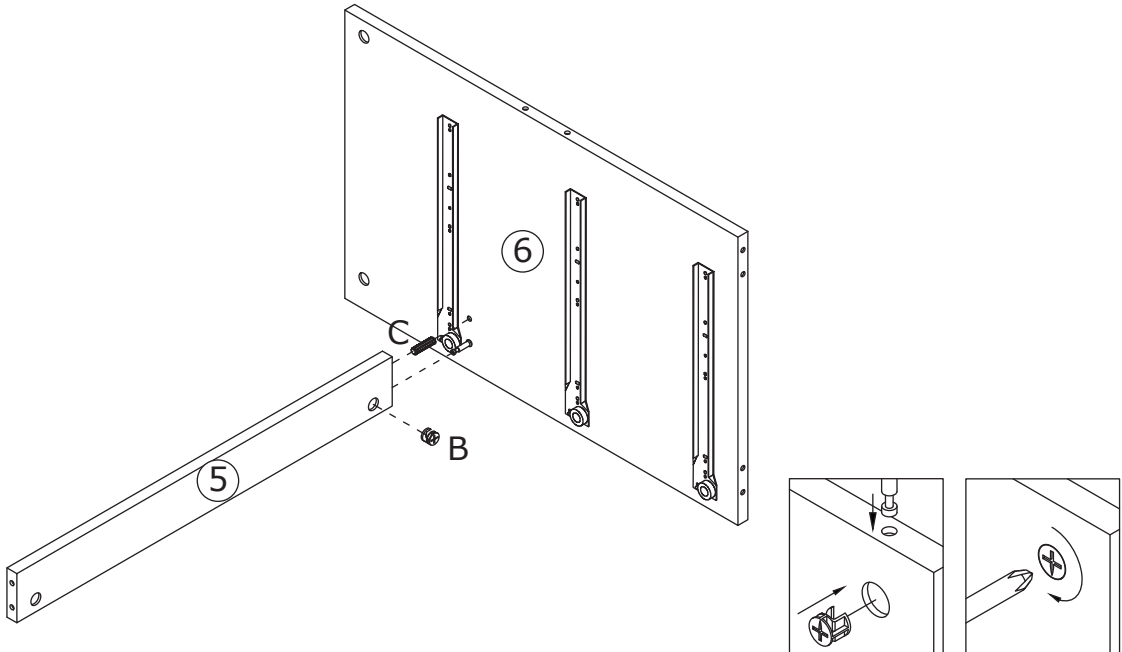


7

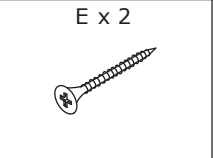


Insert cam lock (B) and wood dowel (C) into part 5 and then attach part 5 to part 6 as shown. Turn cam lock 180° clockwise to tighten.

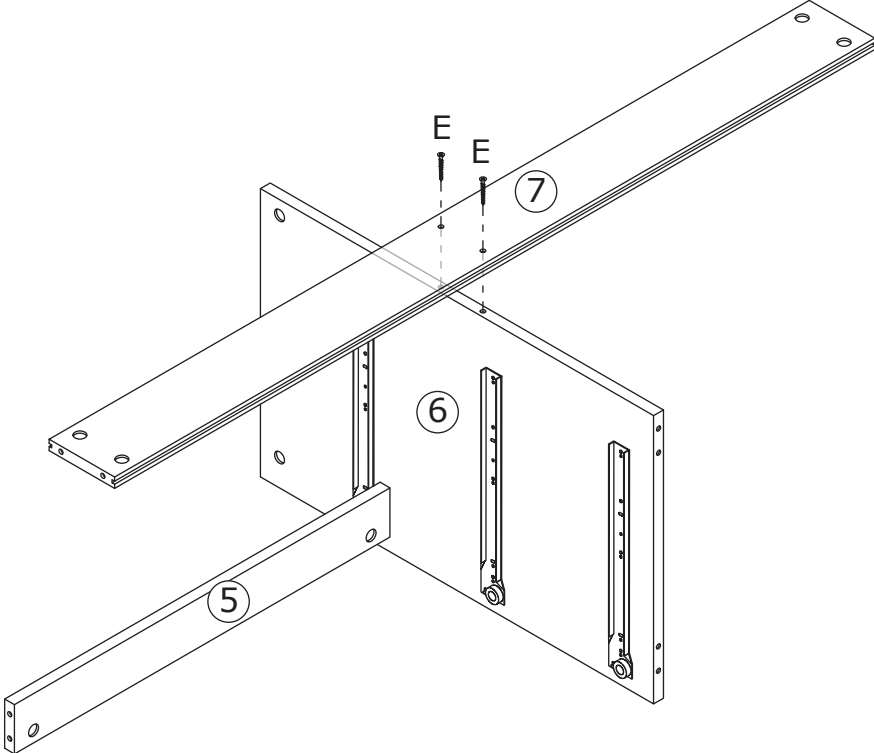
DO NOT OVER-TIGHTEN to avoid parts broken.



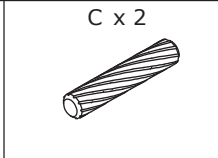
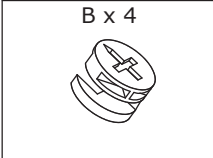
8



Attach part 7 to part 6 using screws (E) as shown.

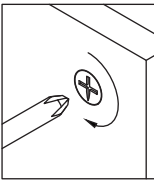
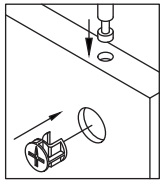
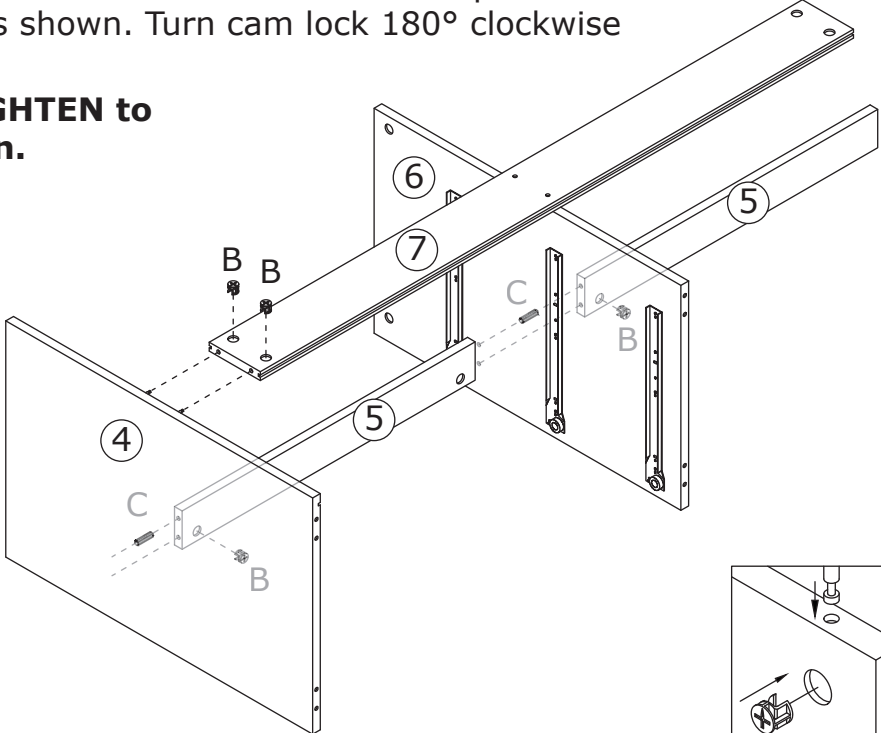


9

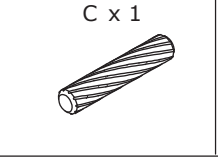
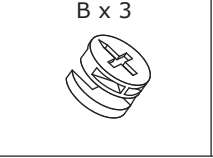


Insert cam lock (B) and wood dowel (C) into part 5 and insert cam locks to part 7 as shown. Then attach part 4 to part 5 and part 7 as shown. Turn cam lock 180° clockwise to tighten.

DO NOT OVER-TIGHTEN to avoid parts broken.

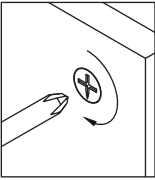
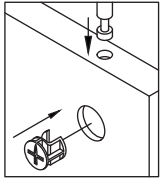
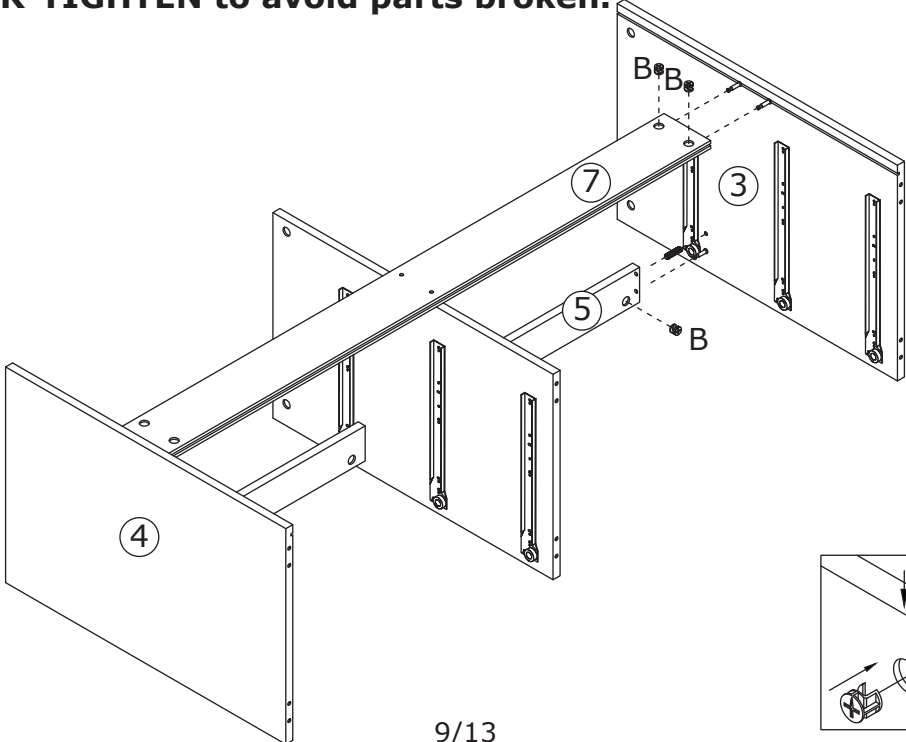


10



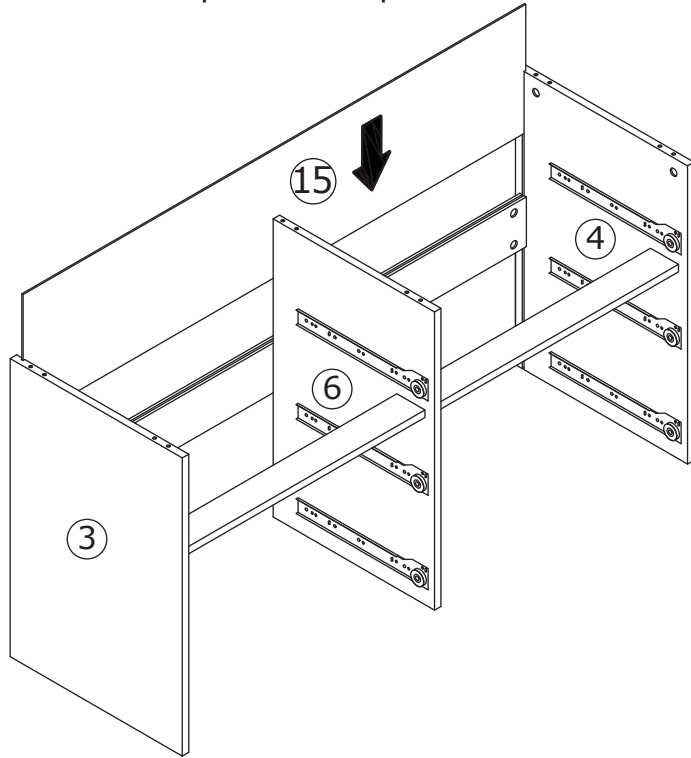
Insert cam lock (B) and wood dowel (C) into part 5 and insert cam locks to part 7 as shown. Then attach part 3 to part 5 and part 7 as shown. Turn cam lock 180° clockwise to tighten.

DO NOT OVER-TIGHTEN to avoid parts broken.

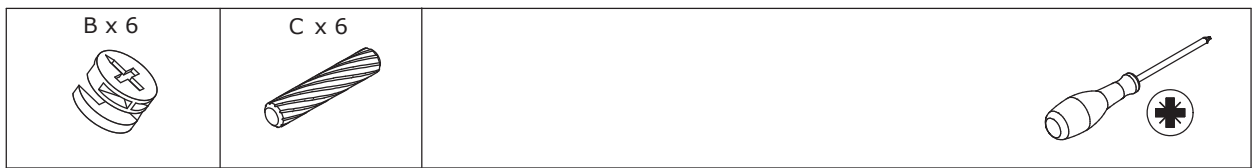


11

Slide part 15 into available slots of part 3 and part 4 as shown.

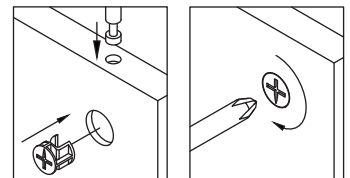
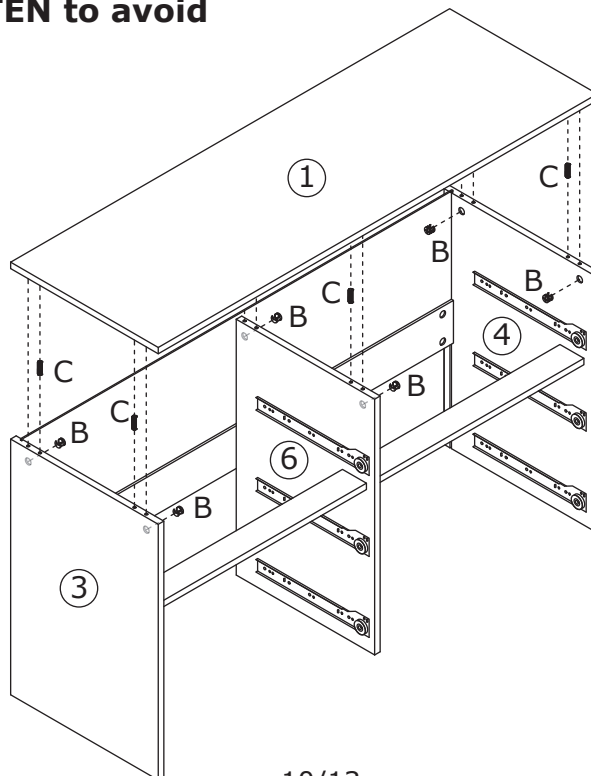


12



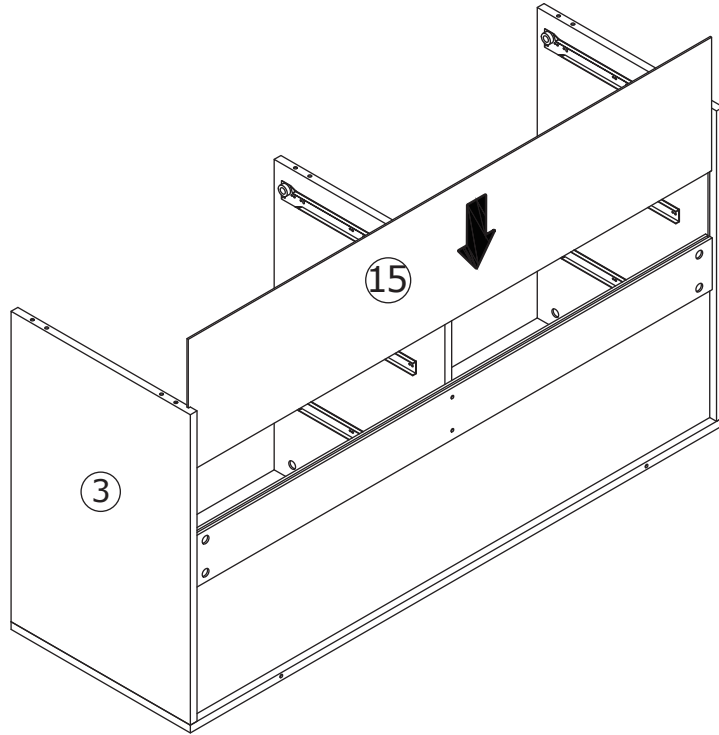
Insert wood dowels (C) into part 3, part 4 and part 6 as shown. Then attach part 6 to assembled unit. Turn cam locks 180° clockwise to tighten.

DO NOT OVER-TIGHTEN to avoid parts broken.

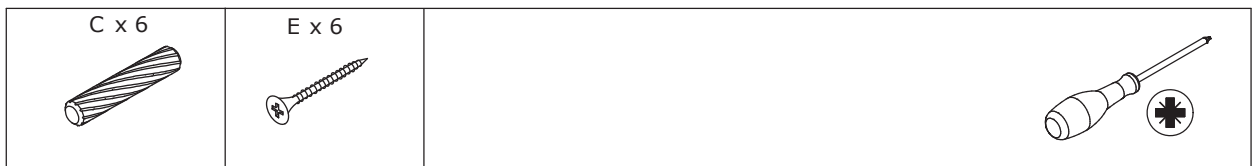


13

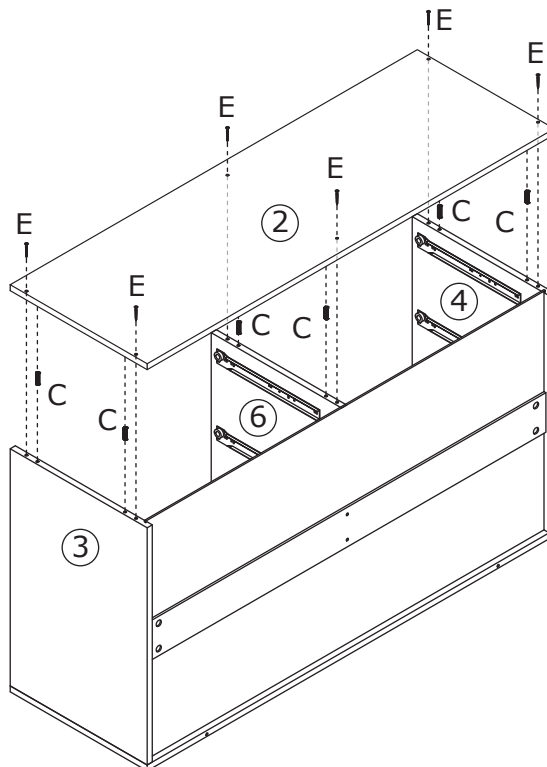
Slide part 15 into available slots of part 3 and part 4 as shown.



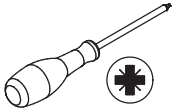
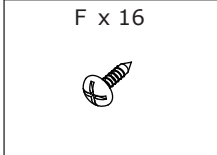
14



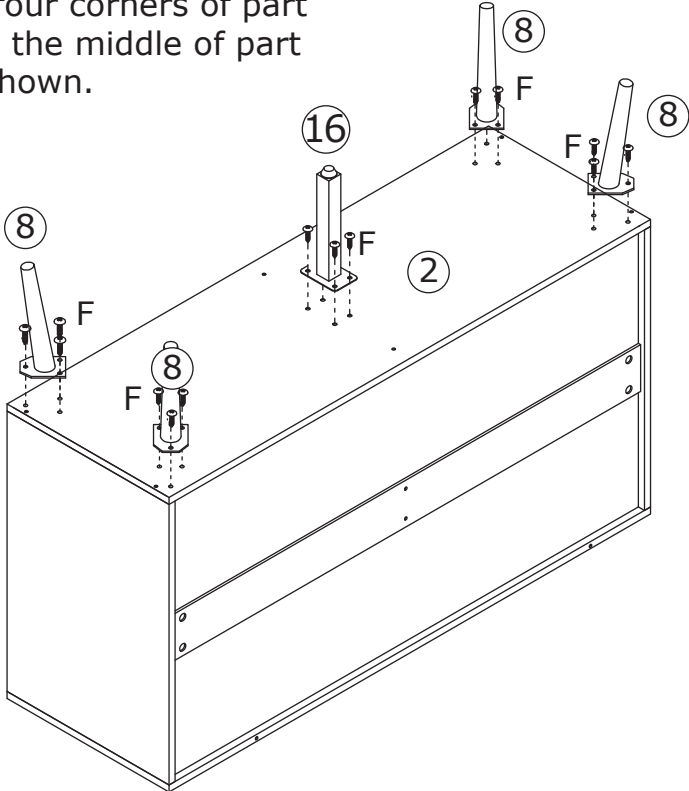
Insert wood dowels (C) into part 3, part 4 and part 6 as shown. Then attach part 2 to assembled unit using screws (E).



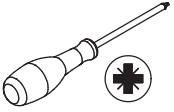
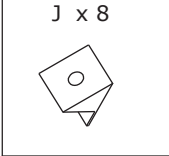
15



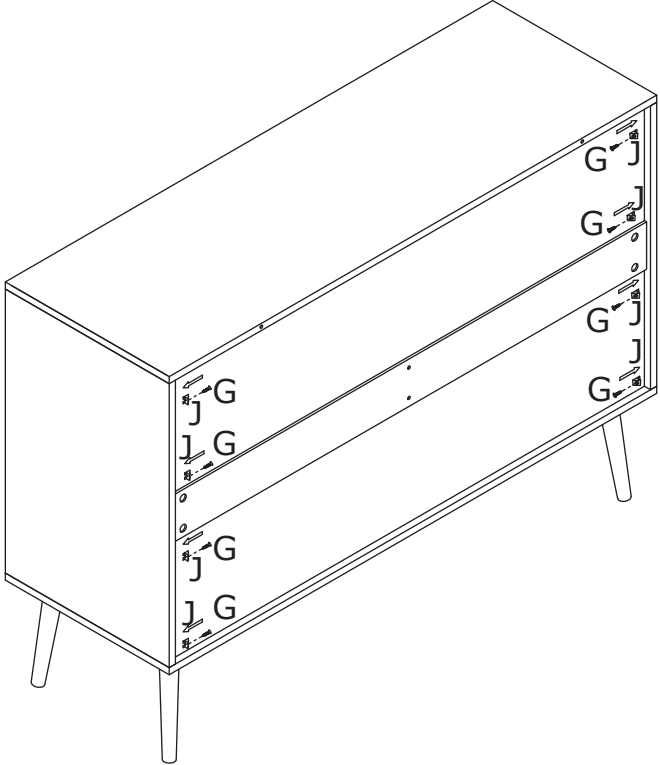
Attached part 8 to the four corners of part 2 and attach part 16 to the middle of part 2 using screws (F) as shown.



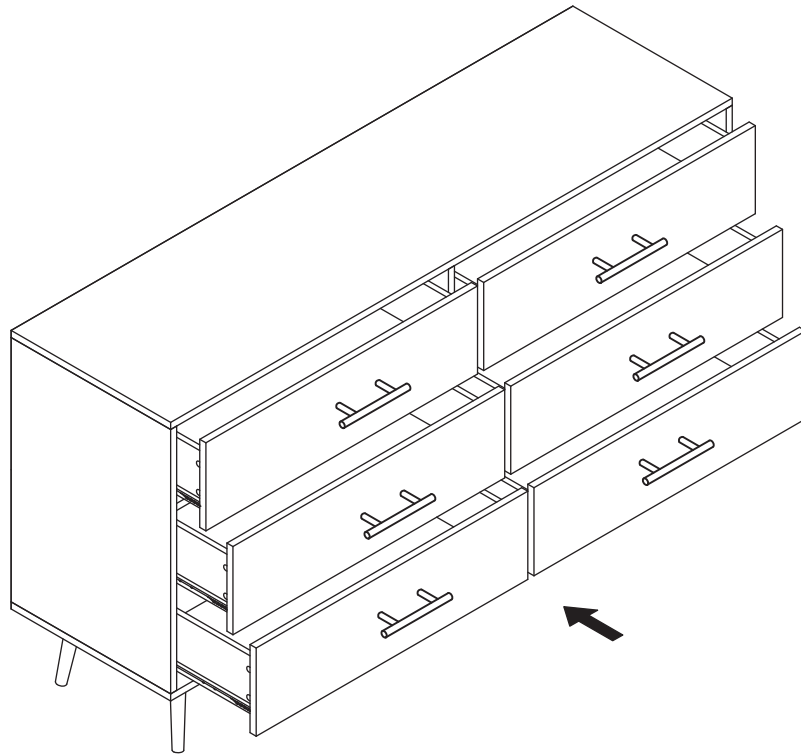
16



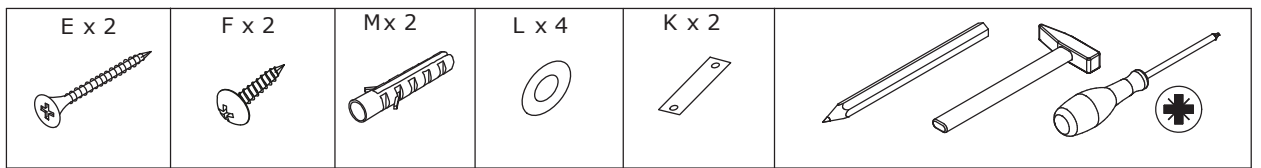
Attach wedges (J) to the assembled unit using screws (G) as shown.



17



18



Install anti-tipping device as shown.

