

# ASSEMBLY INSTRUCTIONS

ITEM #: WF305237

Thank you for purchasing this quality product. Be sure to check all packing material carefully for small Hardware which may have come loose inside the carton during shipment. Identify and count all hardware and compare with the hardware list below

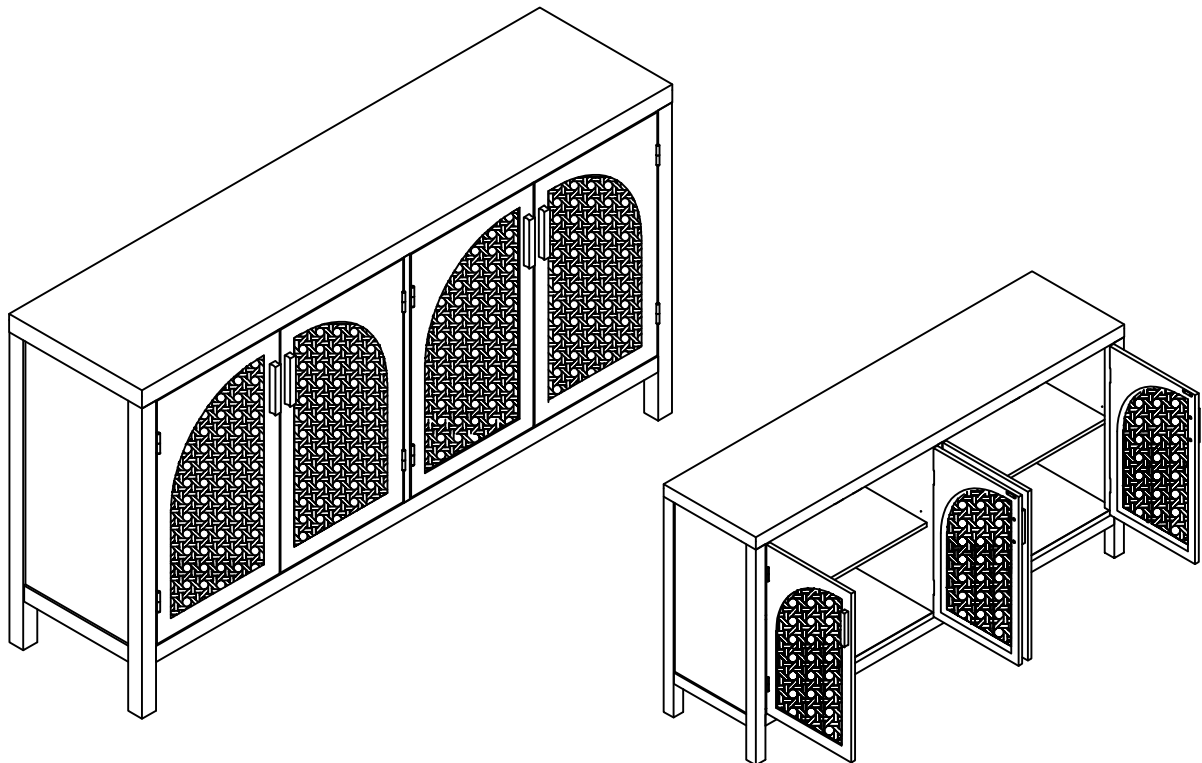
## ASSEMBLY INSTRUCTION :

1. Remove hardware from box and sort by size.
2. Please check to see that all hardware and parts are present prior start of assembly.
3. Please follow attached instruction in the same sequence as numbered to assure fast and easy.



## **WARNING !**

1. Don't attempt to repair or modify parts that are broken or defective. Please contact the store immediately.
2. This product is for home use only and not intended for commercial establishments.
3. Two persons are required for assembly.
4. Approximate assembly time: 1/2 hours
5. Component parts and fittings contained in the box.  
Please sort out all parts before you begin to assemble the item.  
This is to make sure you always use the correct part
6. It is **STRONGLY RECOMMENDED** that you **ANCHOR** this product.  
Toppling furniture can cause serious injuries and death.  
This product has not been fitted with an anchor strap.  
To prevent your furniture from tipping forward it is strongly recommended that you securely attach this product to a wall or other solid surface, using the anchor straps provided and appropriate fixings.



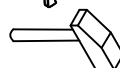
TOOLS NEEDED: Phillips Screwdriver



Wall Drill

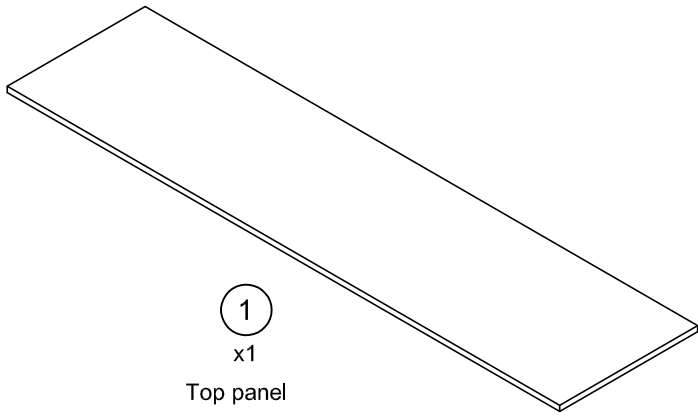


Hammer

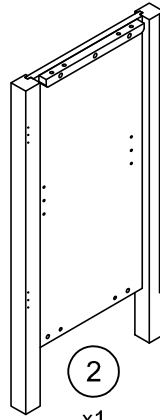


# ASSEMBLY INSTRUCTIONS

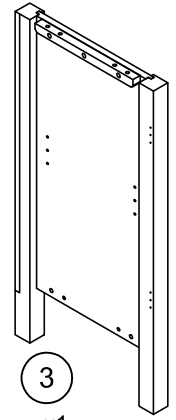
## PART LIST



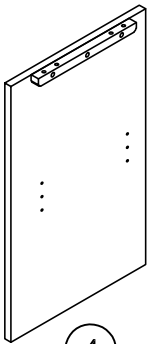
①  
x1  
Top panel



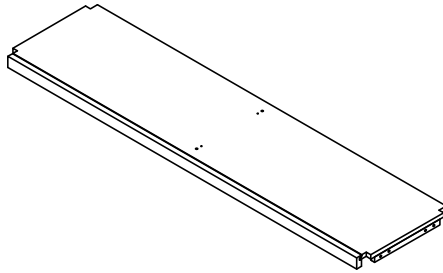
②  
x1  
Left side panel



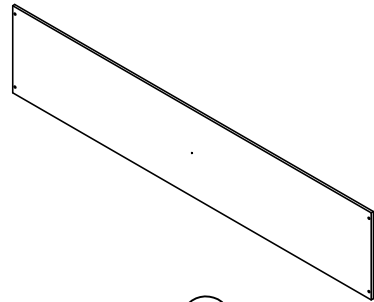
③  
x1  
Right side panel



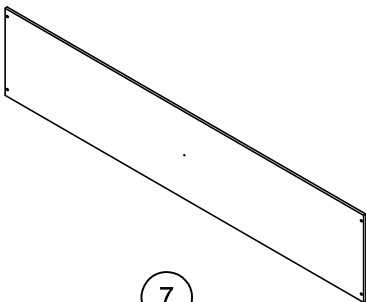
④  
x1  
Middle panel



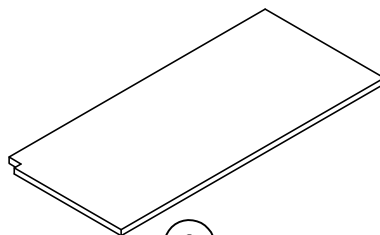
⑤  
x1  
bottom panel



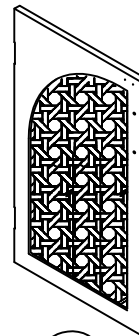
⑥  
x1  
back panel



⑦  
x1  
back panel



⑧  
x2  
Shelf panel



⑨ LR  
x4  
door panel



⑩  
x1  
bottom panel

# ASSEMBLY INSTRUCTIONS

## HARDWARE LIST



(A)

x4  
Hook



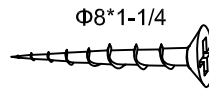
(B)

x4  
Anchor



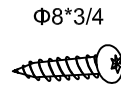
(C)

x2  
Plastic tie



(D)

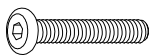
x4  
Screws



(E)

x4  
Screws

1/4 Φ12\* 1



(F)

x18  
Bolts

Φ13\* 1mm



(G)

x18  
Flat Washer

Φ10\* 1mm



(H)

x18  
Spring Washer

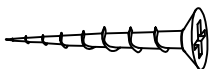
4mm



(I)

x1  
Allen Key

Φ8\*1-1/4



(J)

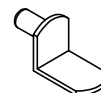
x4  
Screws

Φ8\*3/4



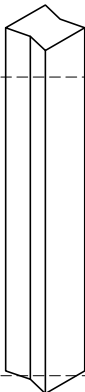
(K)

x12  
Dowels



(L)

x8  
Shelf supports



(M)

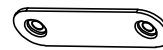
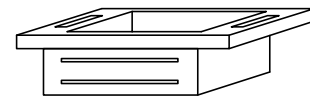
x4  
Handles

5/32"\* 3/4"



(N)

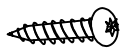
x8  
handle bolts



(O)

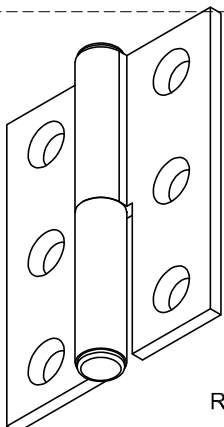
x4  
Door Sniff

Φ6\*5/8



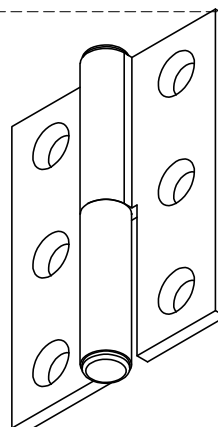
(P)

x16  
Screws



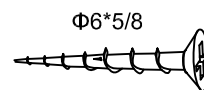
(Q)

x4  
Right Hinges



(R)

x4  
Left Hinges



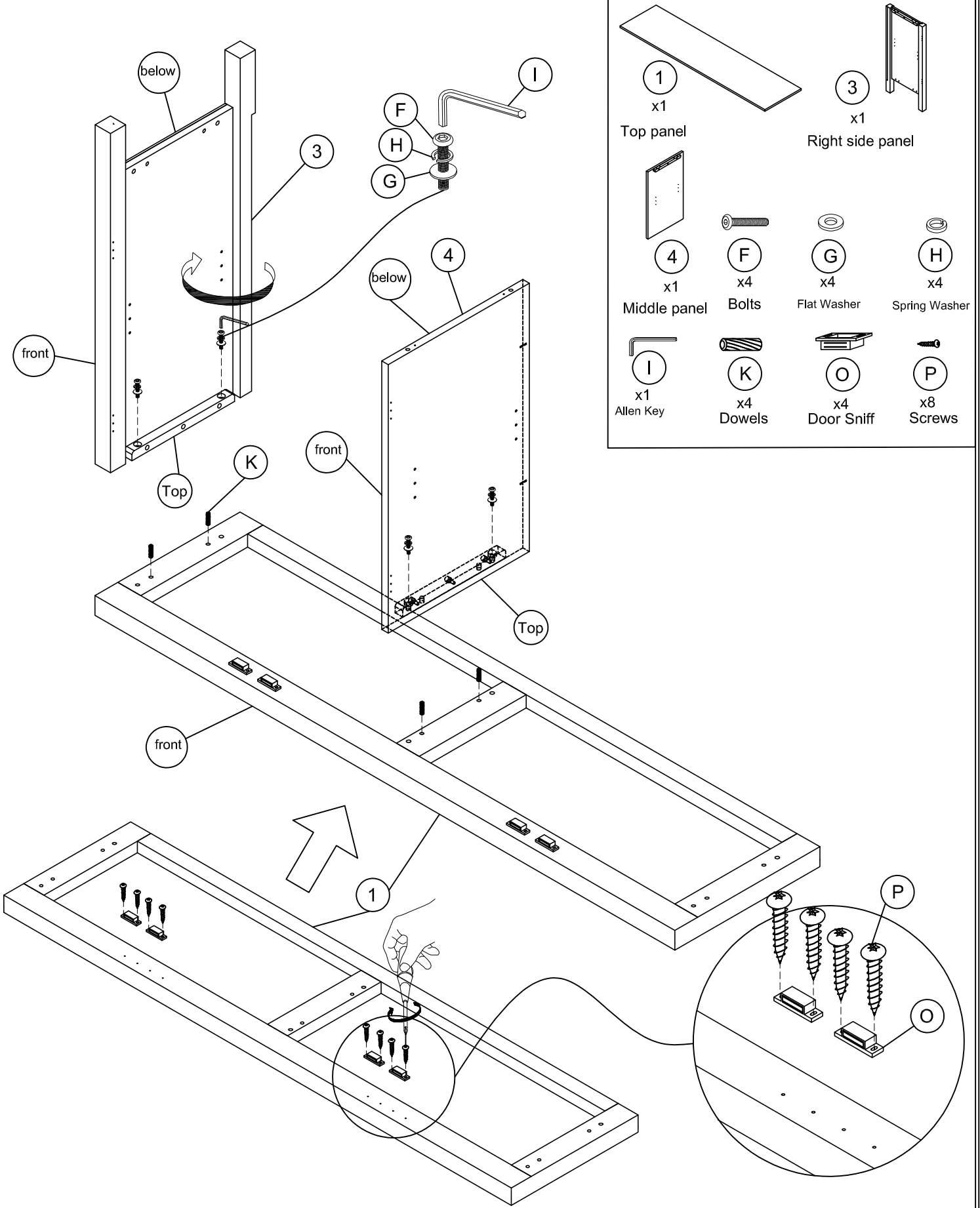
(S)

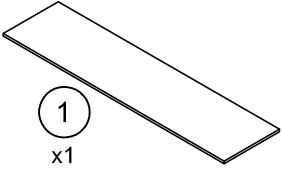

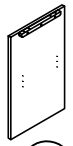







x48  
Screws

# ASSEMBLY INSTRUCTIONS

ITEM #: WF305237

STEP 1

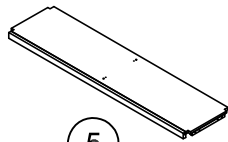
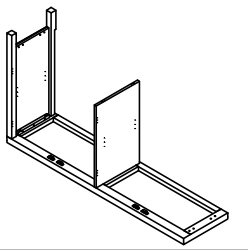
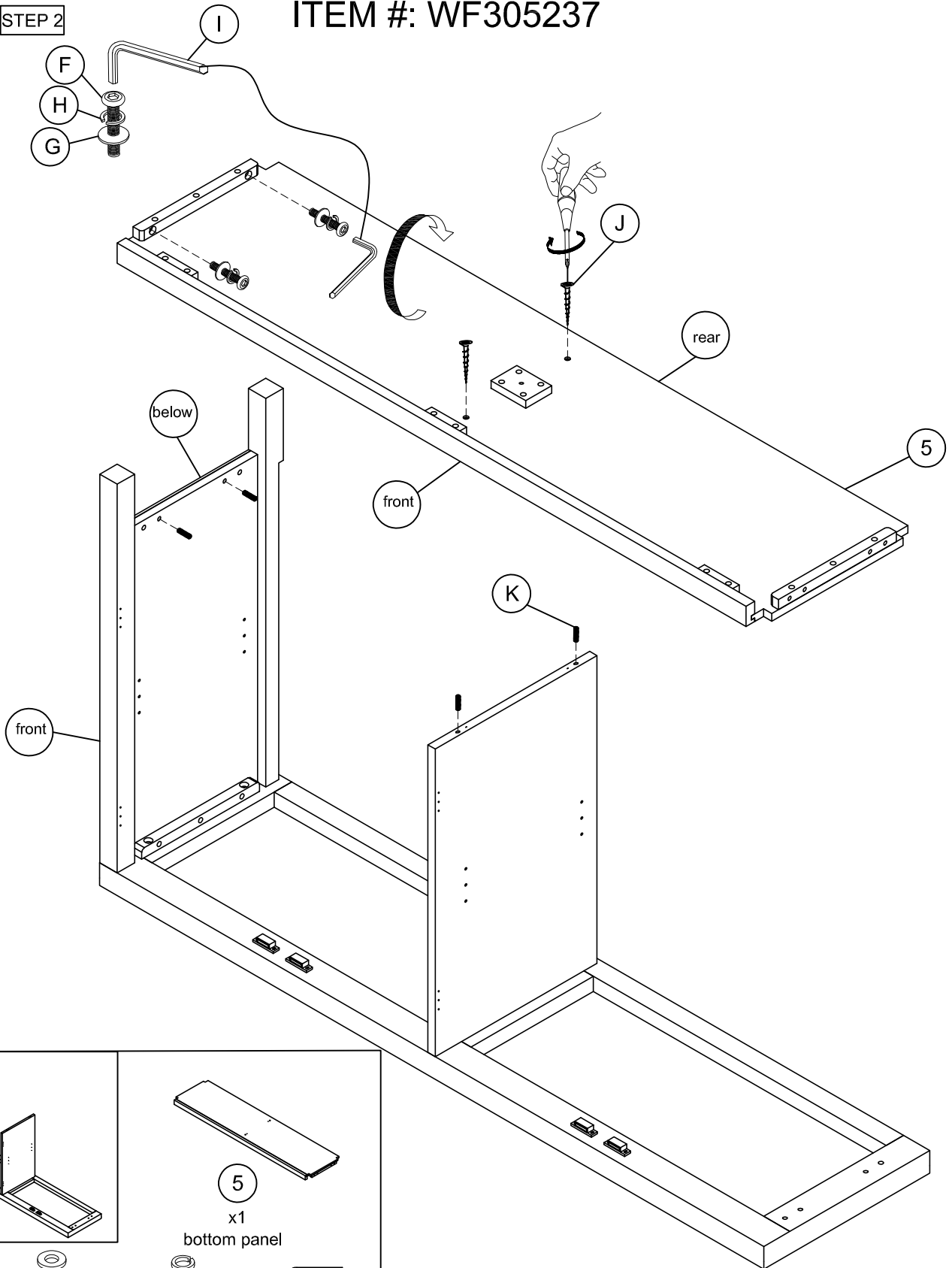


			
1 x1 Top panel	3 x1 Right side panel		
			
4 x1 Middle panel	F x4 Bolts	G x4 Flat Washer	H x4 Spring Washer
			
I x1 Allen Key	K x4 Dowels	O x4 Door Sniff	P x8 Screws

# ASSEMBLY INSTRUCTIONS

ITEM #: WF305237

STEP 2



5

x1

bottom panel



F

x2

Bolts



G

x2

Flat Washer



H

x2

Spring Washer



I

x1

Allen Key



K

x4

Dowels



J

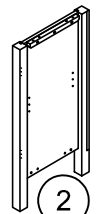
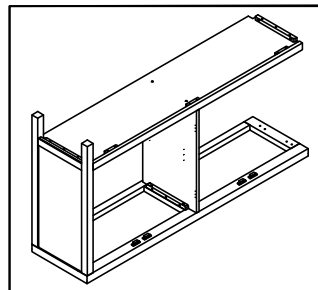
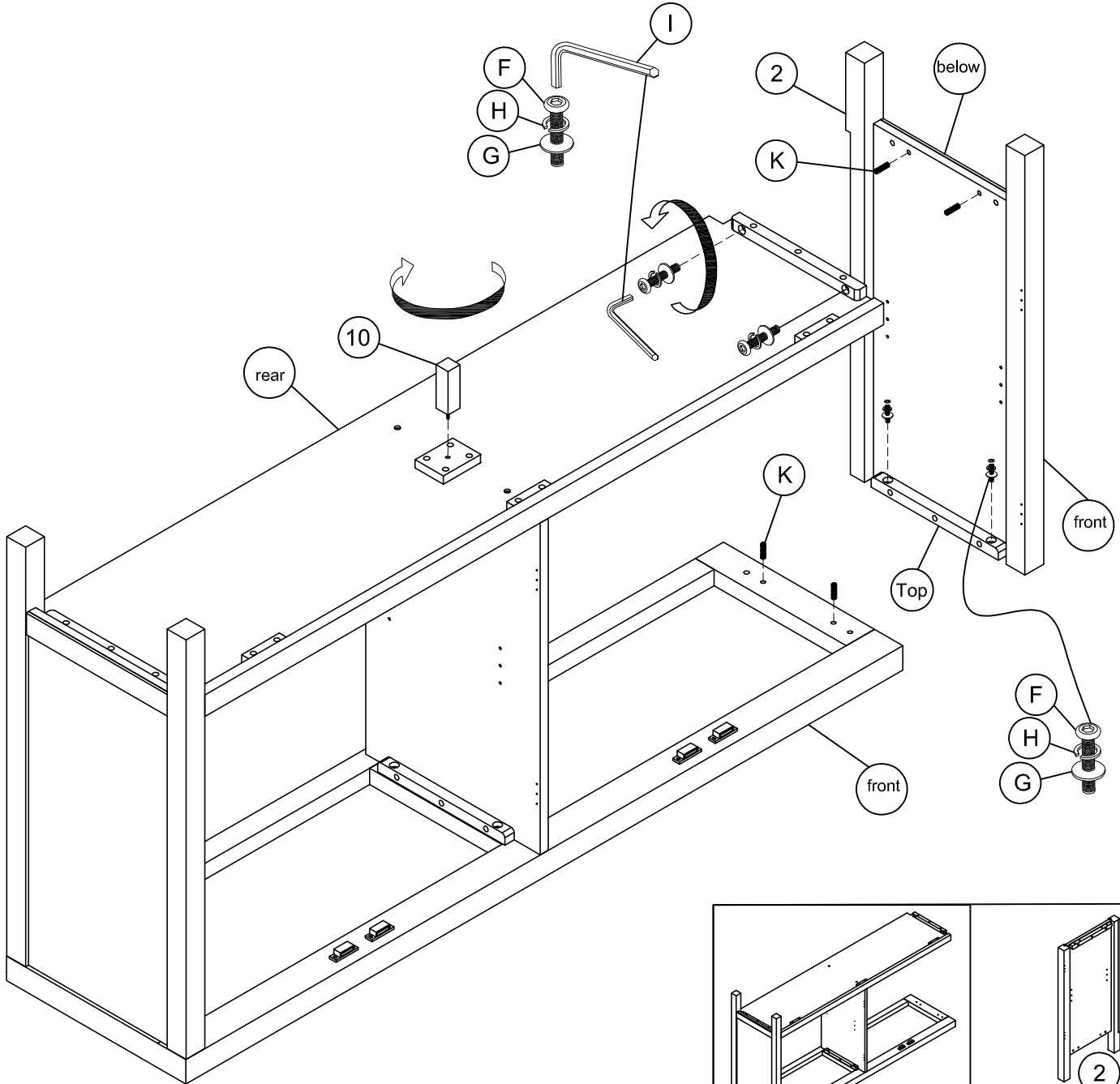
x2

Screws

# ASSEMBLY INSTRUCTIONS

ITEM #: WF305237

STEP 3



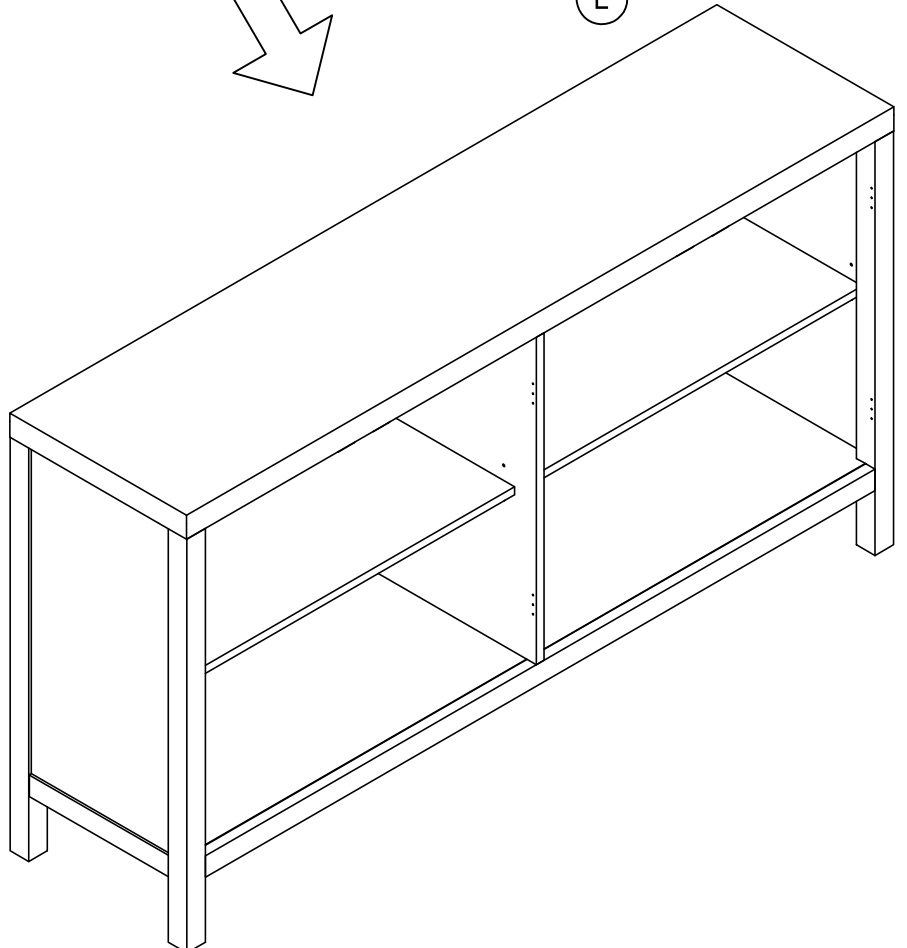
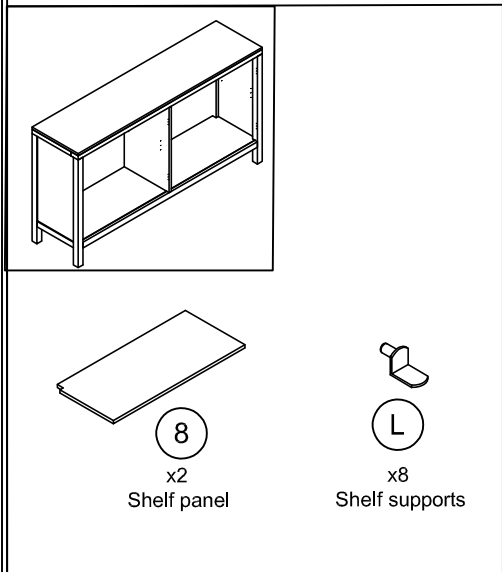
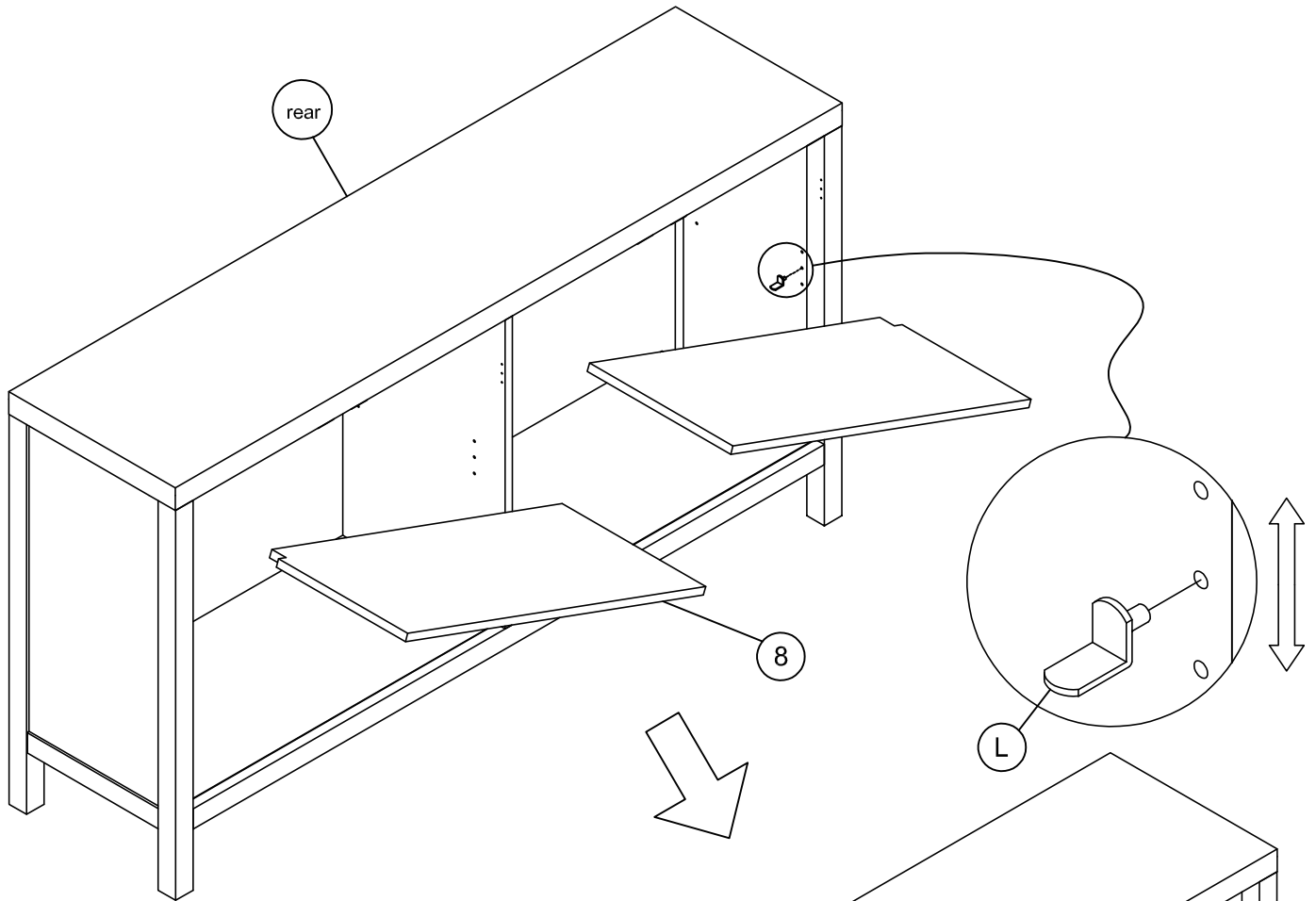
Left side panel

- |                                   |                               |                                 |
|-----------------------------------|-------------------------------|---------------------------------|
| <p>10<br/>x1<br/>bottom panel</p> | <p>F<br/>x4<br/>Bolts</p>     | <p>G<br/>x4<br/>Flat Washer</p> |
| <p>H<br/>x4<br/>Spring Washer</p> | <p>I<br/>x1<br/>Allen Key</p> | <p>K<br/>x4<br/>Dowels</p>      |

# ASSEMBLY INSTRUCTIONS

ITEM #: WF305237

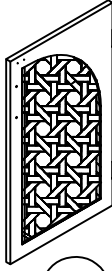
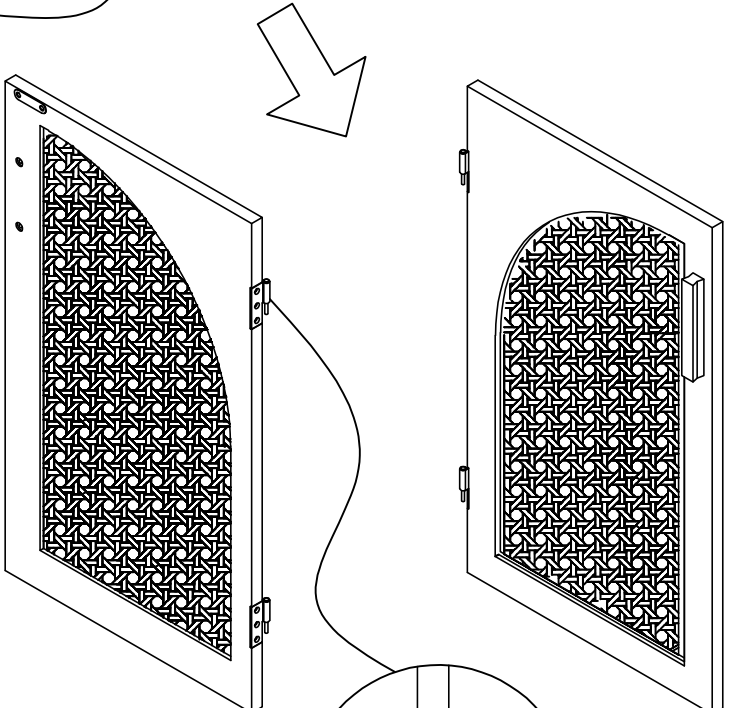
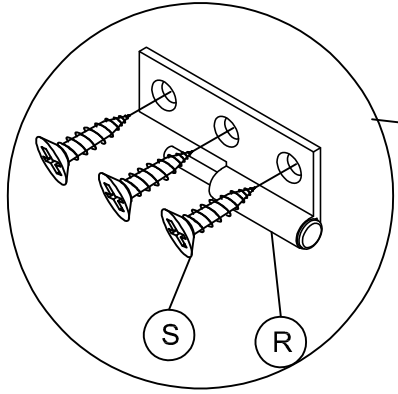
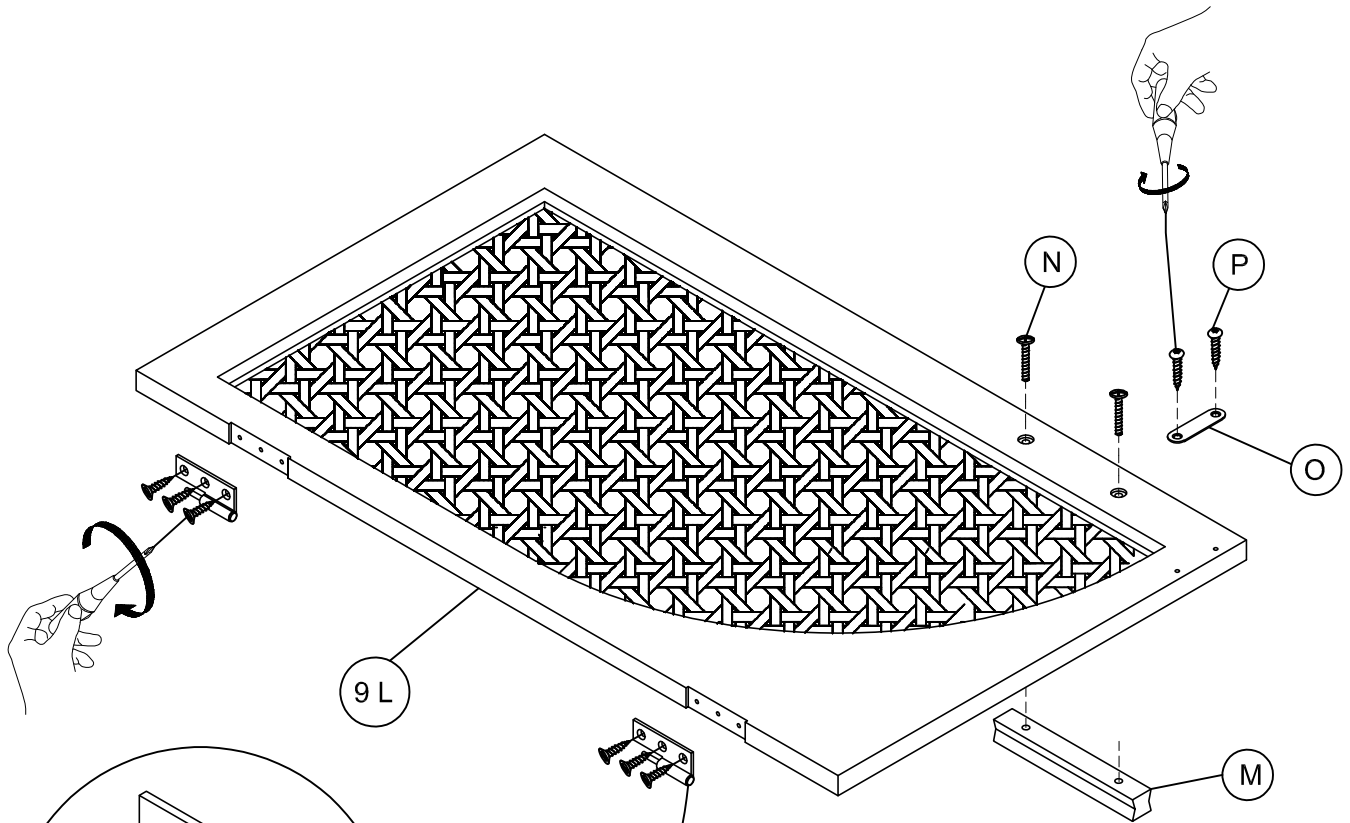
STEP 4



# ASSEMBLY INSTRUCTIONS

ITEM #: WF305237

STEP 5



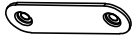
9L  
x2  
door panel



M  
x2  
Handles



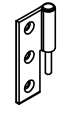
N  
x4  
handle bolts



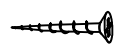
O  
x2  
Door Sniff



P  
x4  
Screws



R  
x4  
Left Hinges

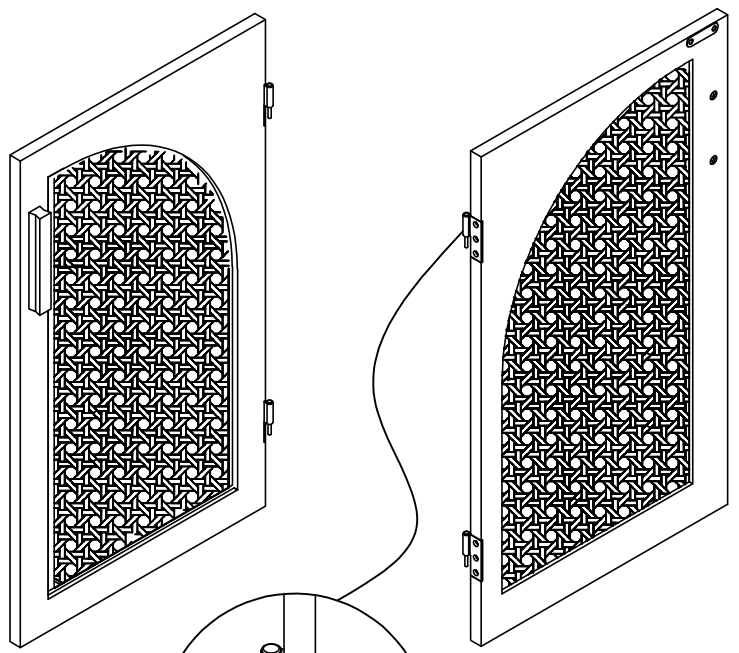
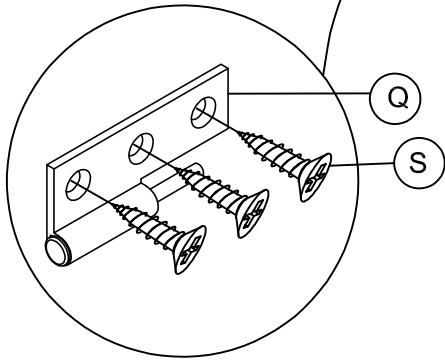
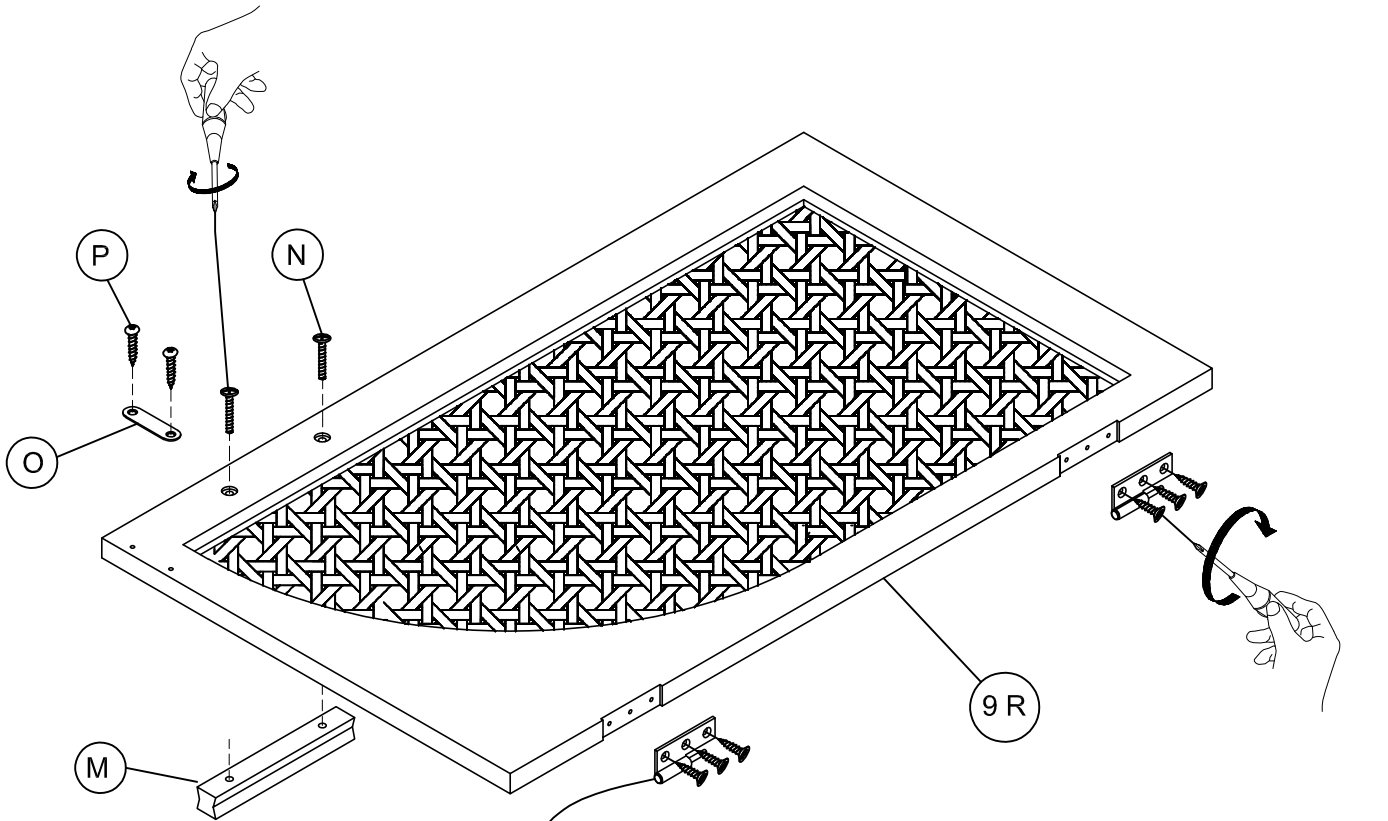


S  
x12  
Screws

# ASSEMBLY INSTRUCTIONS

ITEM #: WF305237

STEP 6

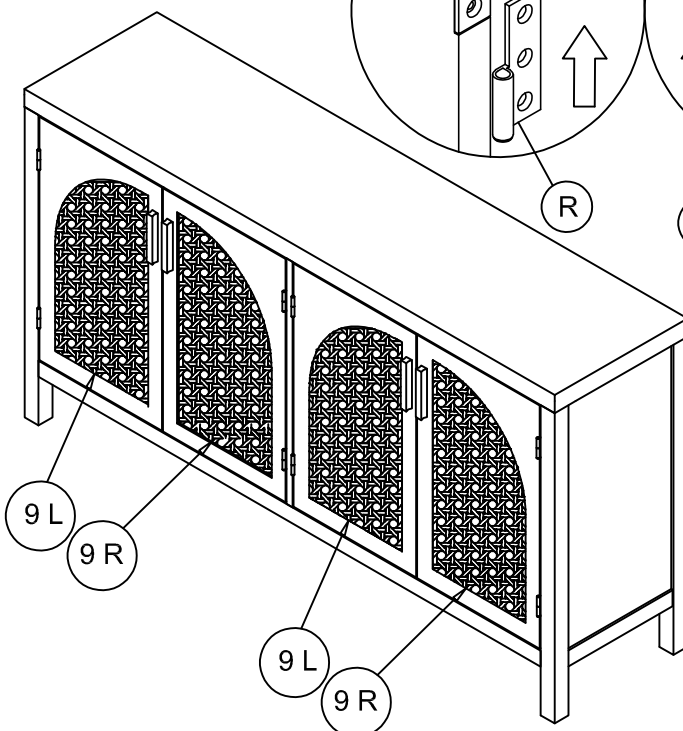
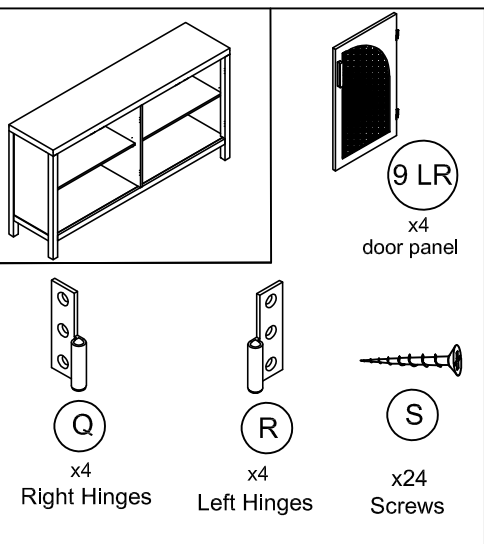
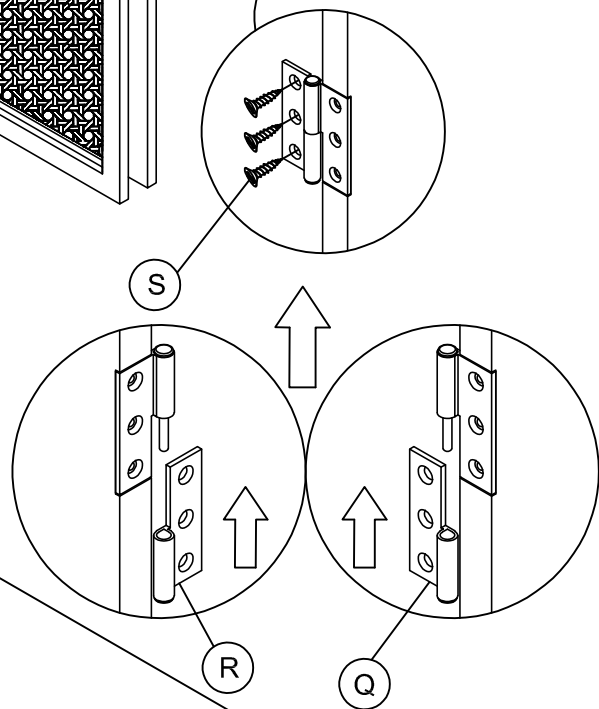
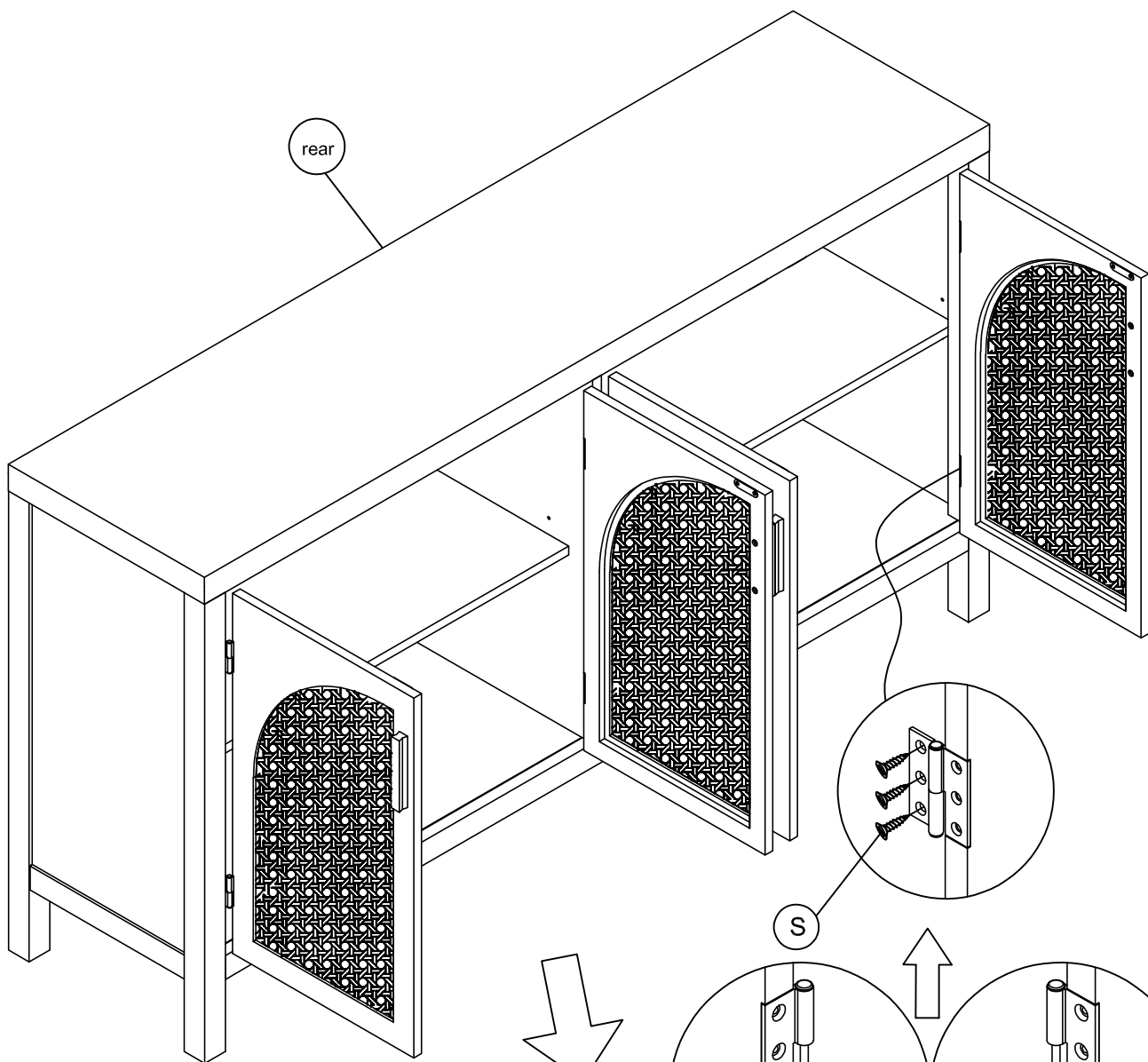


9 R x2 door panel	M x2 Handles	N x4 handle bolts
O x2 Door Sniff	P x4 Screws	Q x4 Right Hinges
		S x12 Screws

# ASSEMBLY INSTRUCTIONS

ITEM #: WF305237

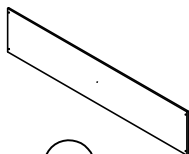
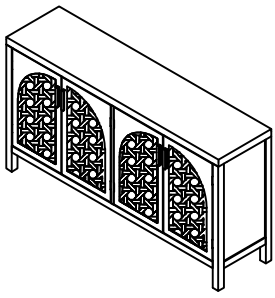
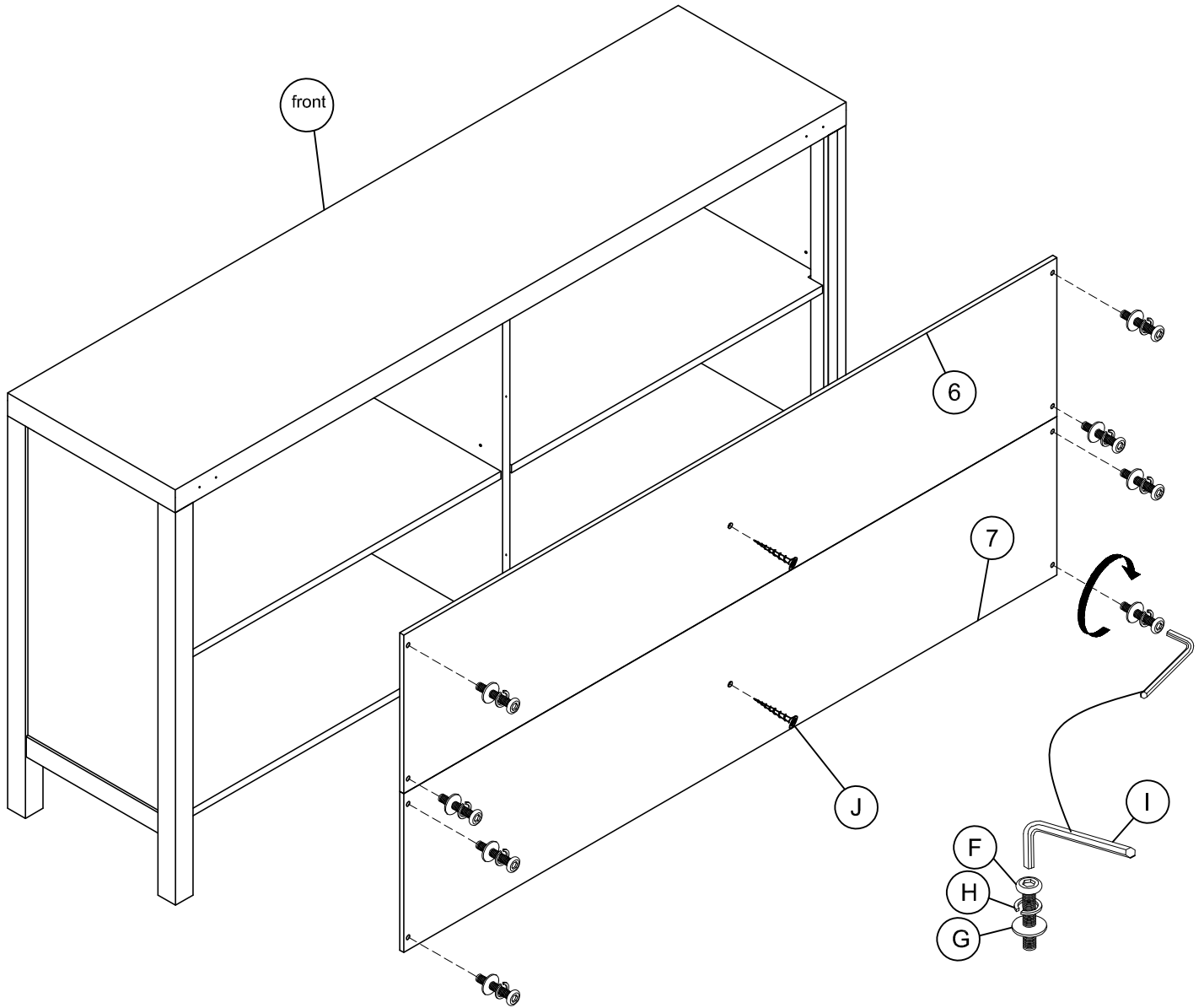
STEP 7



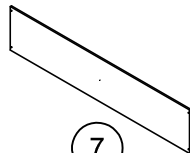
# ASSEMBLY INSTRUCTIONS

ITEM #: WF305237

STEP 8



6  
x1  
back panel



7  
x1  
back panel



F  
x8

Bolts



G  
x8

Flat Washer



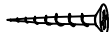
H  
x8

Spring Washer



I  
x1

Allen Key



J  
x2

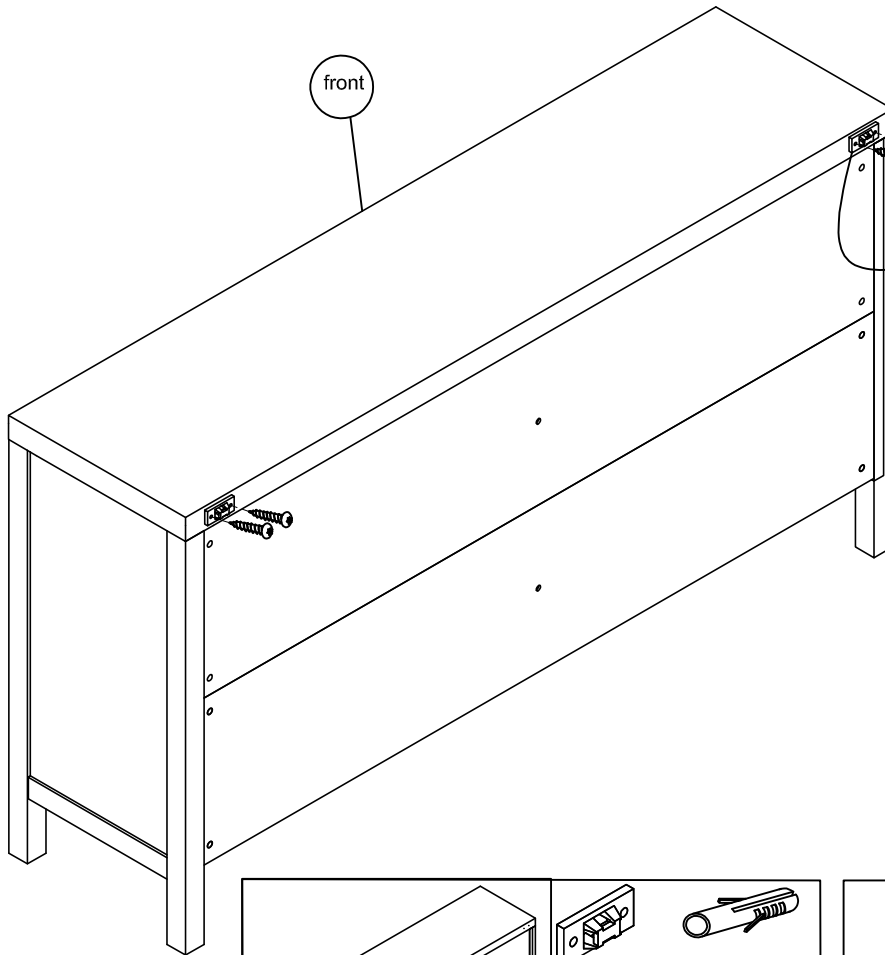
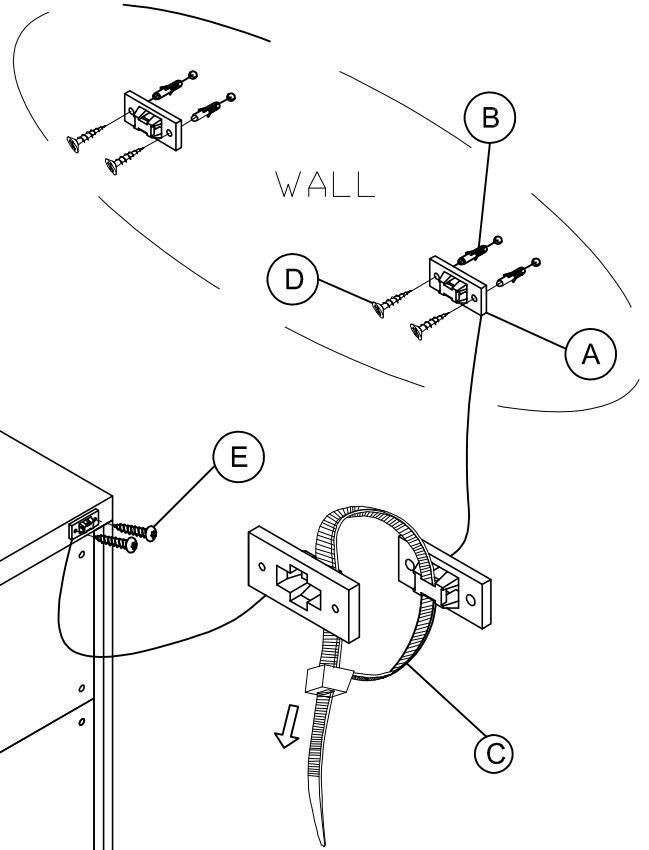
Screws

# ASSEMBLY INSTRUCTIONS

ITEM #: WF305237

STEP 9

Place the Cabinet in the desired location against the wall. Mark the position of the attached Hooks on the wall and remove the Cabinet. Using one of the remaining Hooks (A) as a template, Place the Hook (A) under the marks on the wall and mark the two hole positions. Drill the holes for the Anchors (B) and insert the Anchors (B) into the wall. Attach the remaining Hooks (A) to the Anchors (A) with Screw (D). Fully tighten the screws. Return the Cabinet to the selected position and connect the Hooks (A) together with Plastic Tie (C). Assembly is now complete.



## SUPPORTING TOOLS

