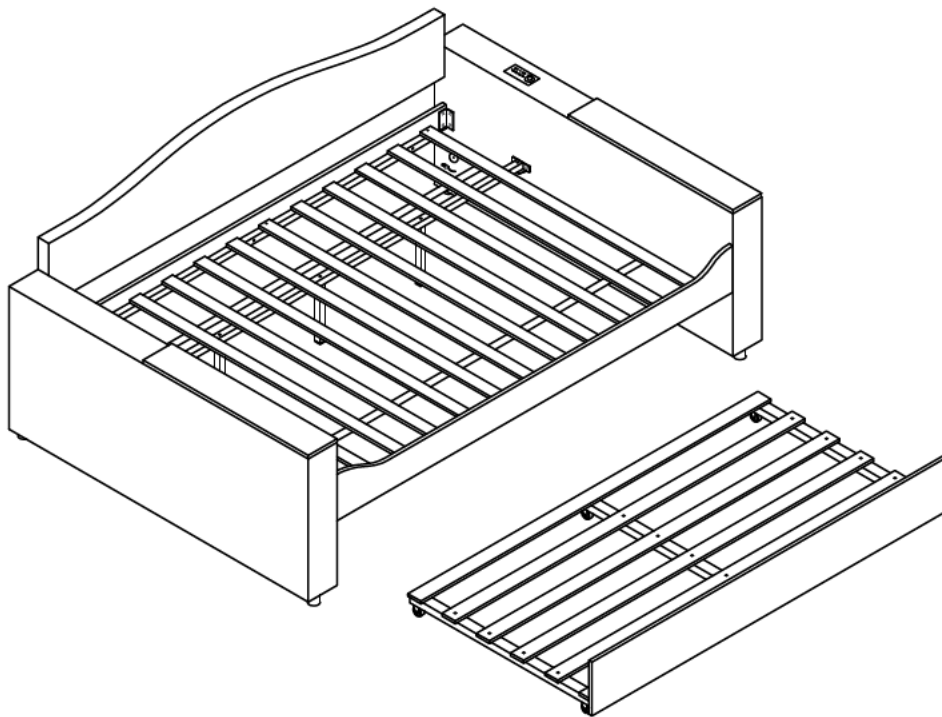


# ASSEMBLY INSTRUCTION



## Bluetooth speaker Startup instructions

Find the audio power interface and plug in the power supply (5V2A). After connecting the power supply, turn on the main controller-4 .turn on the power by Turning the volume knob to the right to hear a “click” . turn off the power by Turning the volume knob to the left to hear a “click” .when The indicator light is on, the default is Bluetooth mode (note the use of power supply: the audio power supply can only use the audio dedicated power supply 5V2A)

### \* Bluetooth mode instructions

1.The Bluetooth mode is set by default. After startup ,The voice prompt: "Bluetooth mode, waiting for connection", Turn on the phone settings to find Bluetooth. Open the search and pairing (device name:Linon — poweLL ) connection. After The voice prompt "Bluetooth connected" ,you can play music. please pull out the audio cable / USB flash disk when using Bluetooth mode.

2. The indicator light is always on, if the device is turned off or not in the connecting range, the connection fails, you need to search again. The voice will prompt "Bluetooth disconnected"

3.when playing in Bluetooth mode, you can control the playing by pressing the “Previous track” / “next track” /”play” /” pause” on-screen buttons on your mobile phone.

### \* USB mode instructions

1. Please unplug the audio cable first and then plugged in the USB device. The file will be loaded (file loading completed) and the playback indicator will flash automatically for 1 second, and the voice prompts "USB play mode"

2. In the "USB" playing state, short press the "play / pause" button to enter the pause state, the system will automatically mute. The indicator light is always on.

3. Short press the "Previous track" and "Next track" buttons on the panel to select the

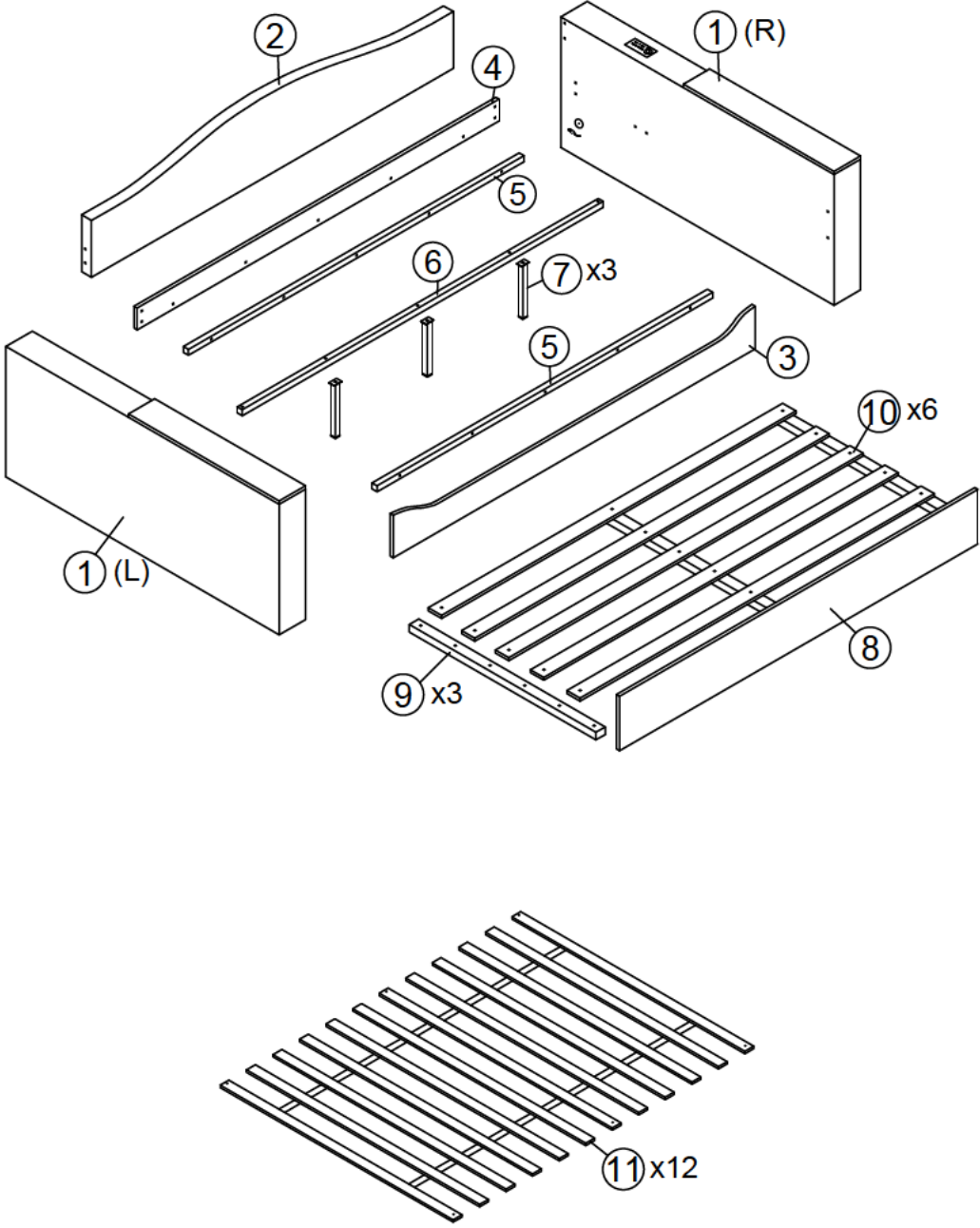
previous or the next song.

\* AUX mode instructions

1. Please pull out the USB device precede Inserting the 3.5 audio cable to switch to the "AUX" state, the blue indicator flashes for 3 seconds, and the voice prompts "external audio mode".
2. In the "AUX" playing state, press "Any key" the system will be silent, you need to pull out the 3.5 audio cable before the next operation.
3. In AUX mode, playing can only be controlled by the volume of the source device.

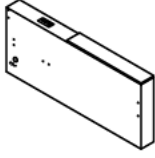
Problem: :	Solution
No sound	The volume setting is too low or the speakers are not well connected. Please check the volume of the phone / sound knob and the power supply wire
Cannot turn on	The power supply is not well plugged in. If it is confirmed that there is a problem with the power supply, replace the power supply. If there is no problem with the power supply, the control box may be faulty. Replace the control box
The device does not respond	Please turn the power off and restart it, check whether the audio power is connected, whether the Bluetooth model is connected to 916, and the USB device / AUX should be connected separately
The buttons does not work	please try again after power off, do not press hard, check if there is any foreign matter or water, please restart the machine and try again.
music stuttering	Make sure the buttons are clean. Do not press the buttons hard
Bluetooth cannot be paired	Please turn off all other paired Bluetooth devices, restart and search. Check if the Bluetooth search device menu is full, delete useless Bluetooth and connect again. Search and connect Bluetooth model "Linon — poweLL"
No sound in AUX mode	Please make sure that the volume of the source device TV or mobile phone is turned on and available to play music , check whether the audio cable is plugged in steady . Please pull out the USB device when connecting to AUX
Remarks	Any other abnormalities, please contact the manufacturer for help

# Detail View



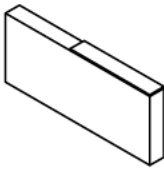
# Part List

**1R**



Armrest-1pc

**1L**



Armrest-1pc

## Hardware List + Part list

**2**



Backrest-1pc

**3**



Siderails-1pc

**4**



Siderails-1pc

**5**



Side rails support bar-2pcs

**6**



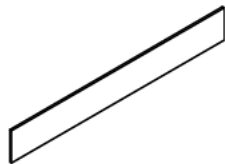
Center support bar-1pc

**7**



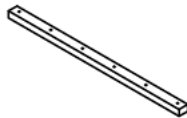
Middle support leg-3pcs

**8**



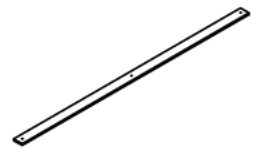
Bottom bed board-1pc

**9**



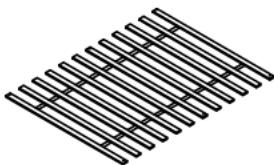
Bottom bar-3pcs

**10**



















Slats -6pcs

**11**



Slats -12pcs

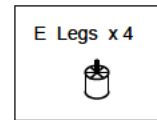
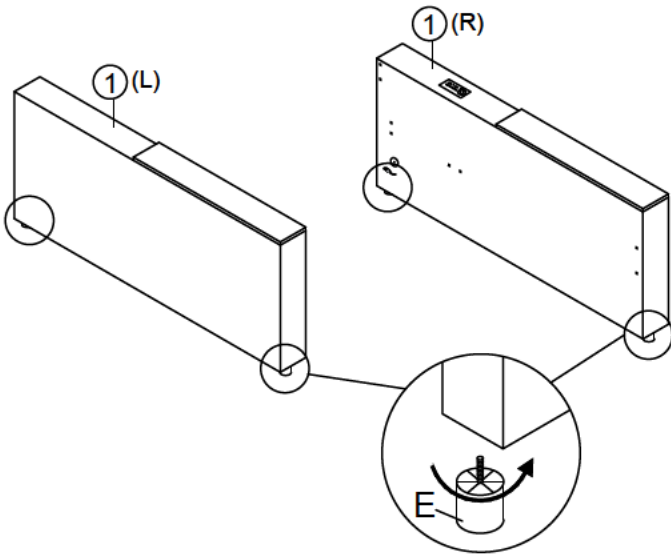
# Hardware List

<p><b>A</b></p>  <p>Allen Key(1pc)</p>	<p><b>B</b></p>  <p>Ø8*40mm</p> <p>Bolts(37pcs)</p>	<p><b>C</b></p>  <p>Ø22</p> <p>Washer(4pcs)</p>
<p><b>D</b></p>  <p>Ø8*18mm</p> <p>Bolts(26pcs)</p>	<p><b>E</b></p>  <p>H:40mm</p> <p>Legs(4pcs)</p>	<p><b>F</b></p>  <p>150*40mm</p> <p>Hinge(2pcs)</p>
<p><b>G</b></p>  <p>77*33**33*2mm</p> <p>"7" Connector(2pcs)</p>	<p><b>H</b></p>  <p>85*40**35*2mm</p> <p>"7" Connector(3pcs)</p>	<p><b>I</b></p>  <p>Ø4*30mm</p> <p>Nails(30pcs)</p>
<p><b>J</b></p>  <p>86*32*28*2mm</p> <p>Center support bar fittings(2pcs)</p>	<p><b>K</b></p>  <p>Wheel(6pcs)</p>	<p><b>L</b></p>  <p>Connecting line(1pc)</p>
<p><b>M</b></p>  <p>20*6mm</p> <p>Buckle(4pcs)</p>	<p><b>N</b></p>  <p>Ø3*16mm</p> <p>Nails(8pcs)</p>	<p><b>O</b></p>  <p>Music adapter(1pc)</p>
<p><b>P</b></p>  <p>AUX Line (1pc)</p>		

Attention: Do not tighten the screws before completing the entire installation. If you have any difficulty with the installation process, please feel free to contact us.

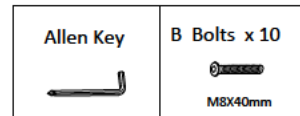
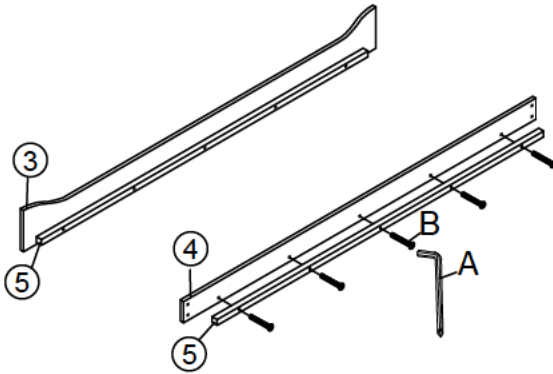
## Step 1

Fix the legs E to the Armrest ①.



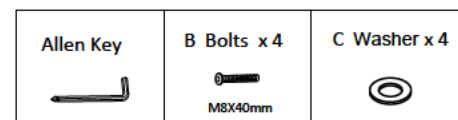
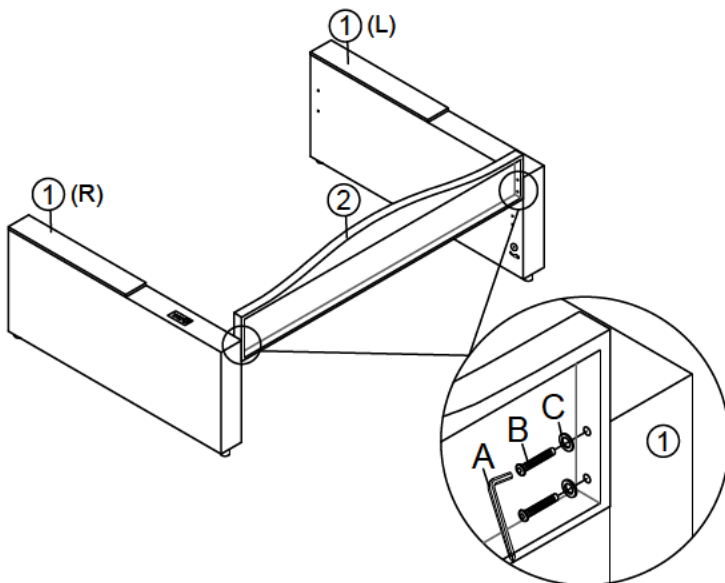
## Step 2

Connect Siderails support bar ⑤ to siderails ③ and ④ with Bolts B by using Allen key A.



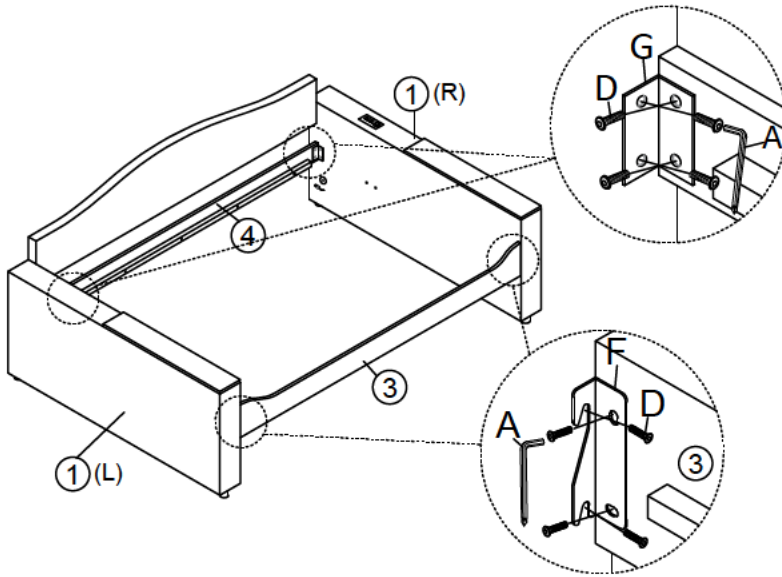
## Step 3





Fix the Backrest ② to the Armrest ① with Bolts B and Washer C by using Allen key A.



## Step 4

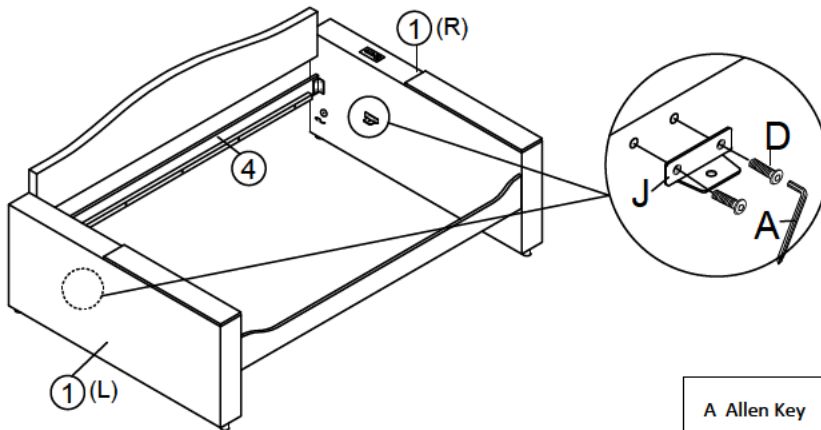
Fix the Siderails ③ and ④ with Hinge F, "7" connector G and Bolts D by using Allen key A.






A Allen Key 	D Bolts x 16 M8X18mm 	F Hinge x 2 	G "7" Connector x 2 
--	--	--	--

## Step 5

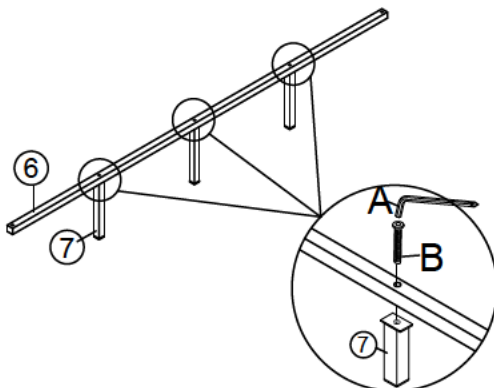
Fix the Center support bar fittings J to the Armrest ① with Bolts D by using Allen key A.





A Allen Key 	D Bolts x 4 M8X18mm 	J Center support bar fittings x 2 
--	---	--

## Step 6

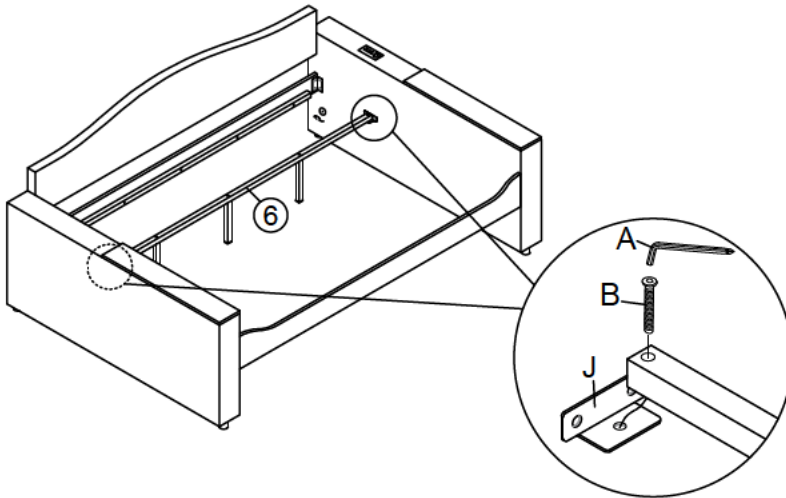
Fix the middle support leg ⑦ to the center support bar ⑥ with Bolts B by using Allen key A.





A Allen Key 	B Bolts x 3 M8X40mm 
--	---

## Step 7

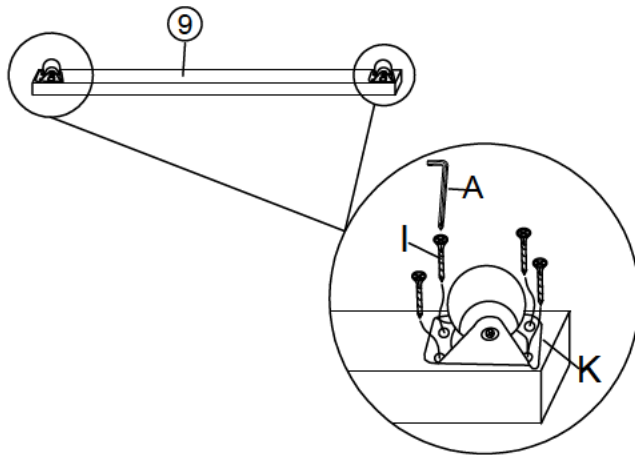
Fix the Center support bar ⑥ to the Center support bar fittings J with Bolts B by using Allen key A.






A Allen Key	B Bolts x 2 M8X40mm
	

## Step 8 x3

Fix the Wheel K to the Bottom bar ⑨ with Nails I by using Allen key A or Electric drill.

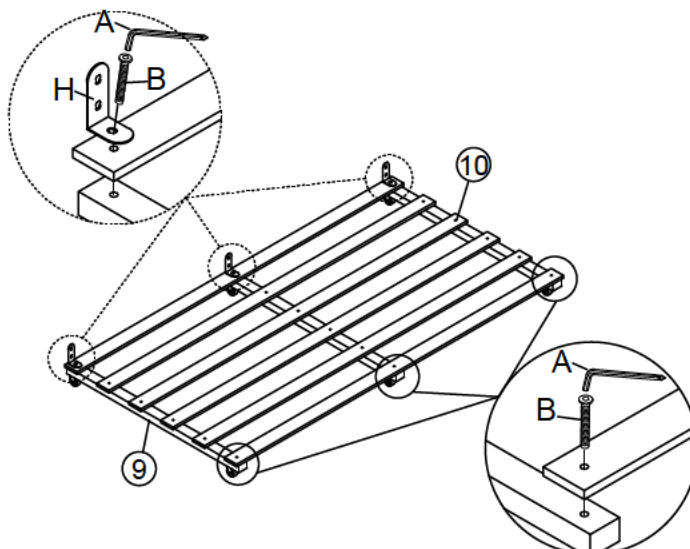





A Allen Key	I Nails x 24 M4X30mm	K Wheel x 6
		

## Step 9

Fix the Three hole "7" connector H to one of the slat ⑩ and end Bottom bar ⑨ with Bolts B by using Allen key A .

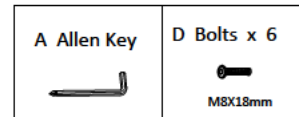
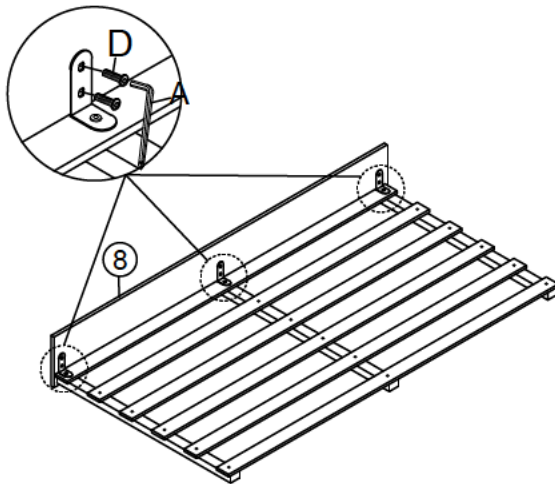
Fix another 5pcs slats ⑩ to the Bottom bar ⑨ with Bolts B by using Allen key A .



A Allen Key	B Bolts x 18 M8X40mm	H "7" Connector x 3
		

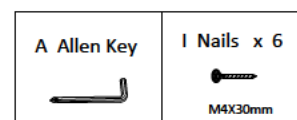
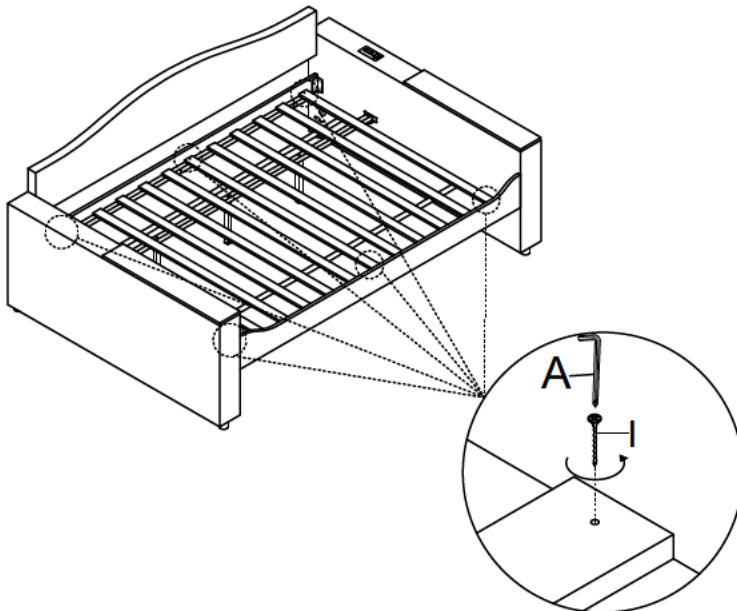
## Step 10

Fix Bottom bed board ⑧ to the assembled slats frame with Bolts D by using Allen key A .



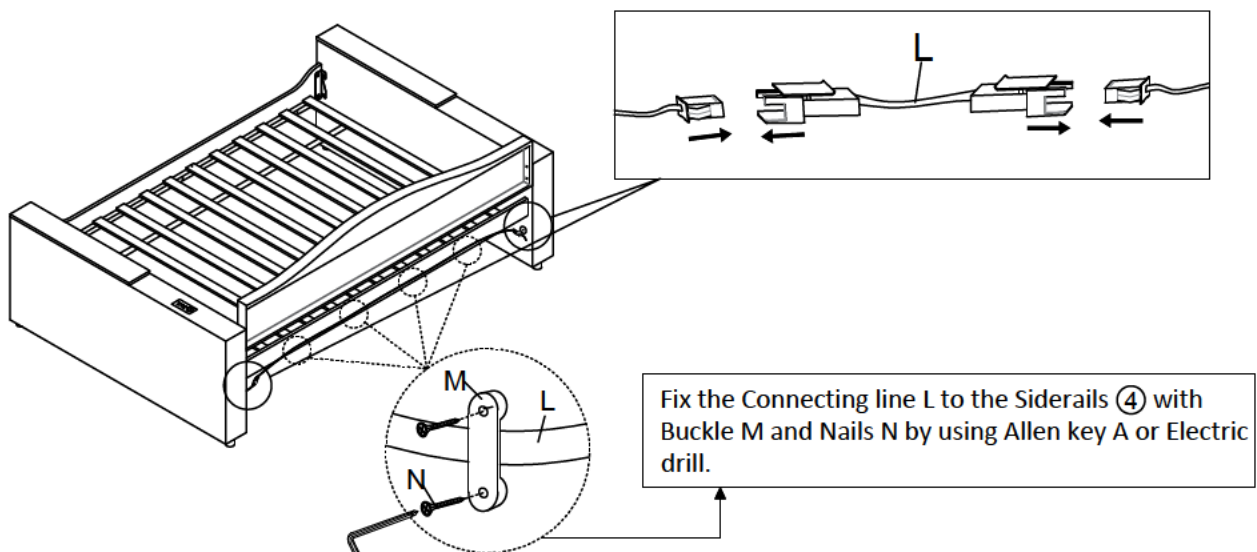
## Step 11





Fix the slats ⑪ to the side support bar ⑤ with Nails I by using Allen key A or Electric drill.



## Step 12

Connect the two joints of the Speaker together with Connecting line L.

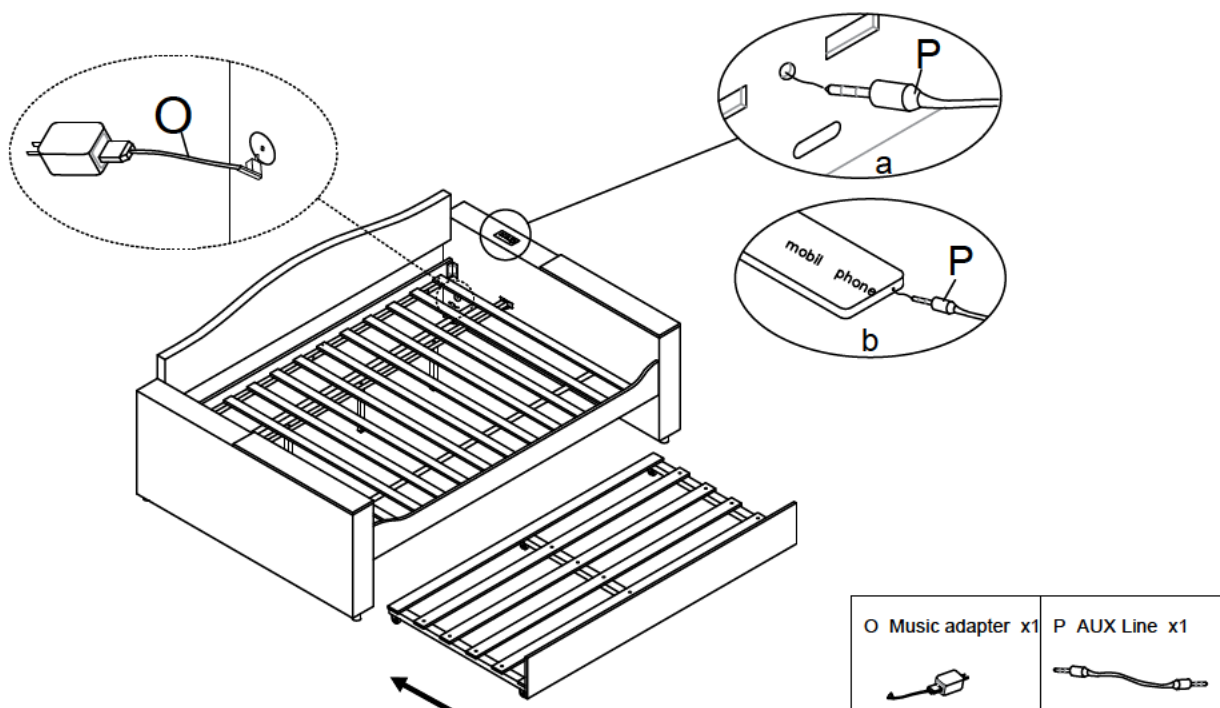


A Allen Key	L Connecting line x1	M Buckle x 4	N Nails x 8 M3X18mm
			

## Step 13

Put the adapter O into the bed. If you want to use the AUX function, you can put one end of the AUX line into the Aux hole, and the other end into your mobile phone or MP3.

At last push the bottom bed into the bed and the assemble is finished. Please enjoy your bed.



O Music adapter x1	P AUX Line x1
