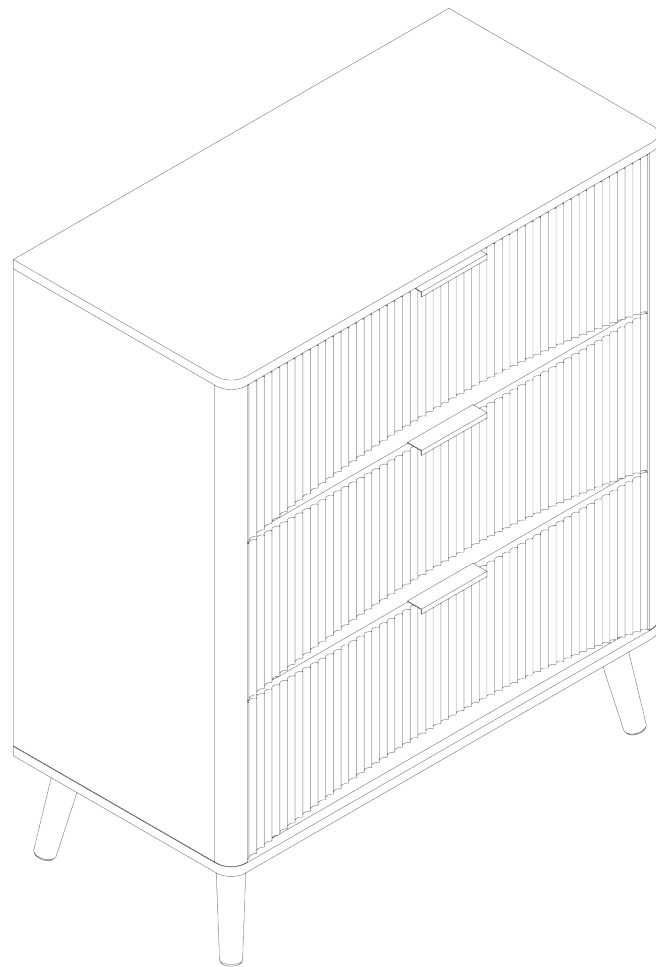
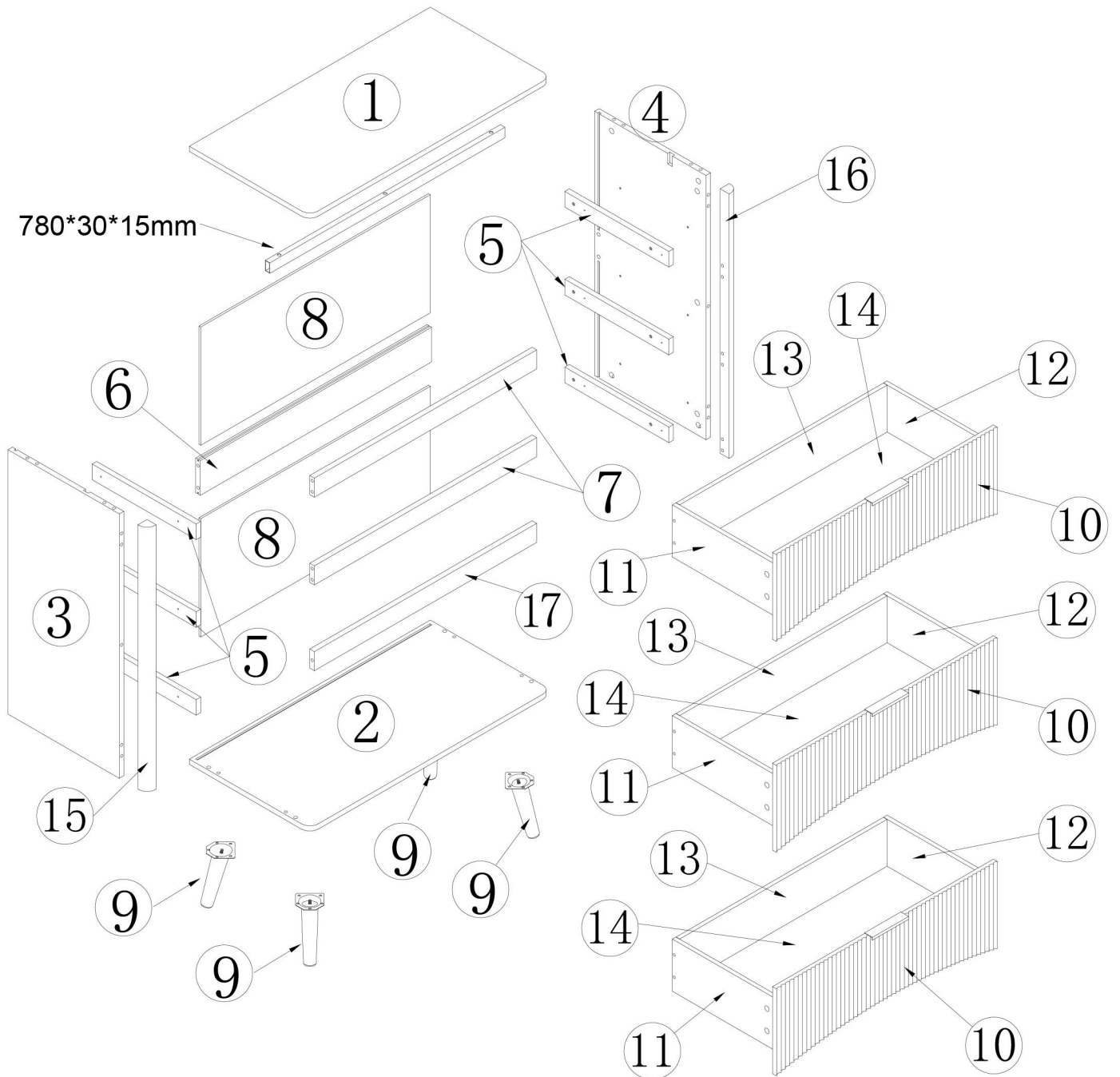


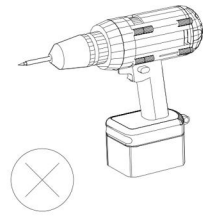
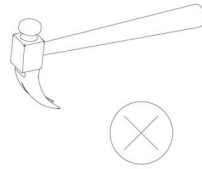
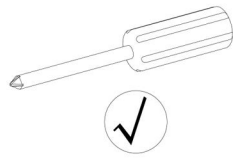
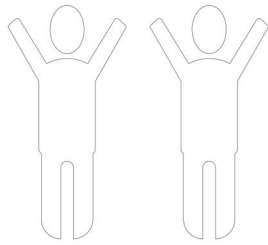
Assembly Instruction



Parts List (EN) / Teile Liste (DE)

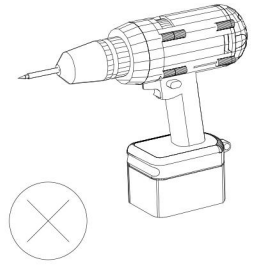
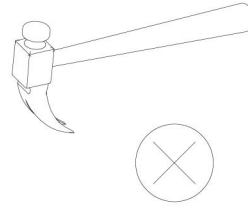
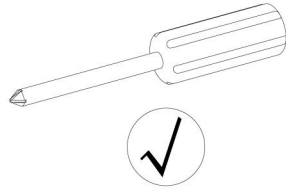
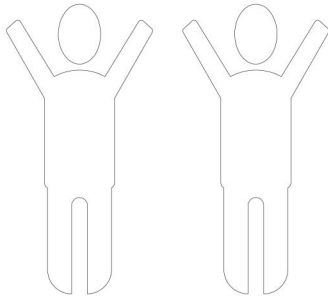



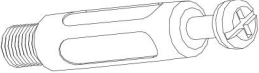
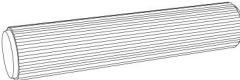
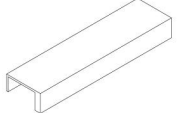
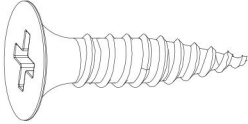
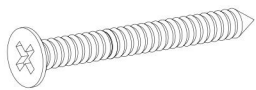
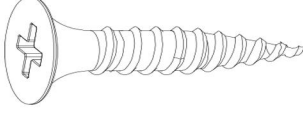

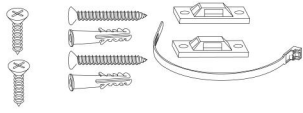

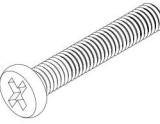





Parts List (EN) / Teile Liste (DE)



<p>①</p> <p>1PCS</p>	<p>②</p> <p>1PCS</p>	<p>③</p> <p>1PCS</p>	<p>④</p> <p>1PCS</p>
<p>⑤</p> <p>6 PCS</p>	<p>⑥</p> <p>1PCS</p>	<p>⑦</p> <p>2 PCS</p>	<p>⑧</p> <p>2 PCS</p>
<p>⑨</p> <p>Ø40*150mm</p> <p>4 PCS</p>	<p>⑩</p> <p>3 PCS</p>	<p>⑪</p> <p>3 PCS</p>	<p>⑫</p> <p>3 PCS</p>
<p>⑬</p> <p>3 PCS</p>	<p>⑭</p> <p>3 PCS</p>	<p>⑮</p> <p>1PCS</p>	<p>⑯</p> <p>1PCS</p>
<p>⑰</p> <p>1PCS</p>			

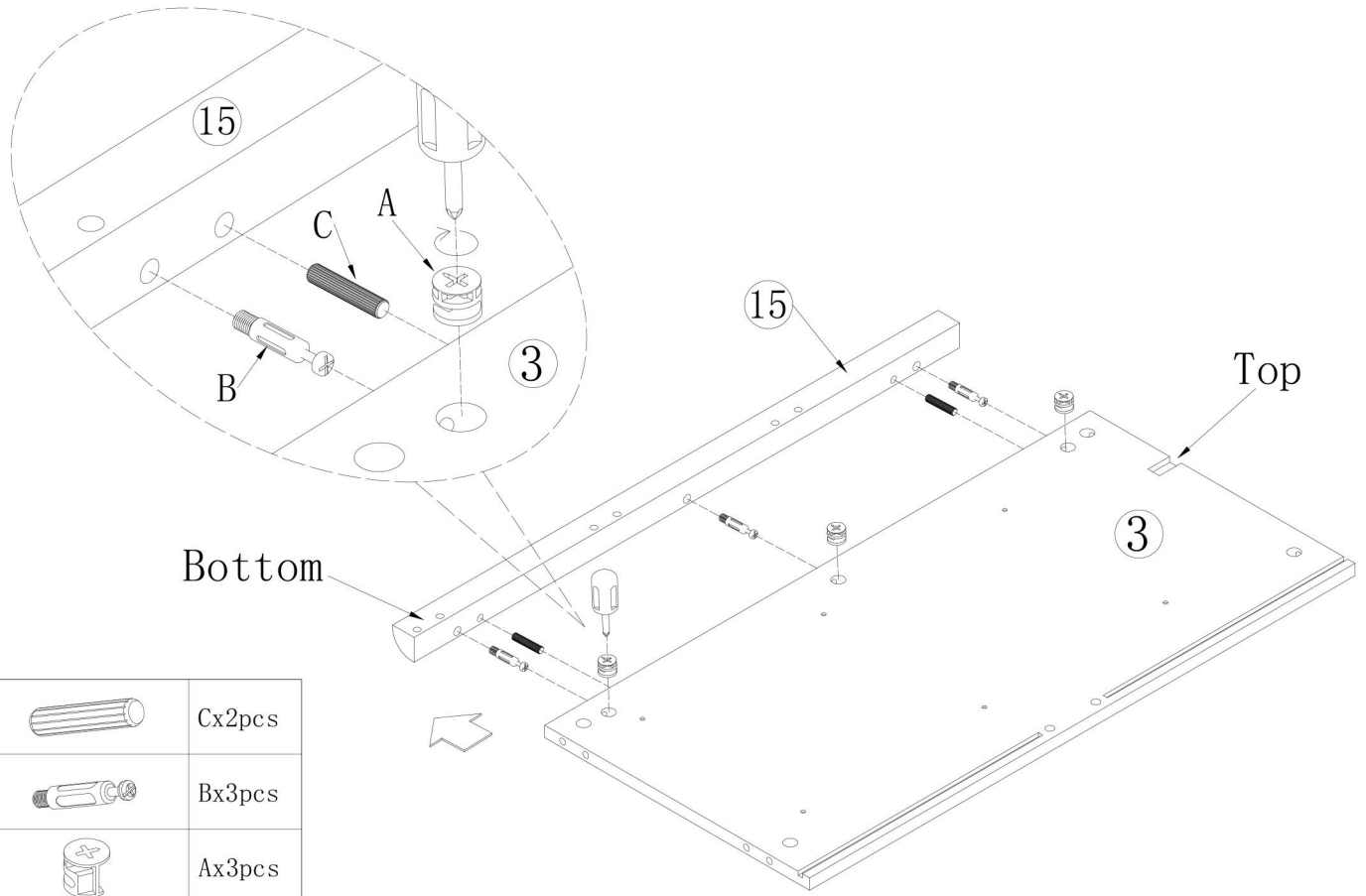
Parts List (EN) / Teile Liste (DE)






<p>A</p>  <p>$\varnothing 15 * 9.5 \text{mm}$</p> <p>42+2PCS</p>	<p>B</p>  <p>$\varnothing 6 * 35 \text{mm}$</p> <p>42+2PCS</p>	<p>C</p>  <p>$\varnothing 8 * 30 \text{mm}$</p> <p>12+2PCS</p>	<p>D</p>  <p>Handle</p> <p>3 PCS</p>
<p>E</p>  <p>$\varnothing 3 * 10 \text{mm}$</p> <p>18+2PCS</p>	<p>F</p>  <p>$\varnothing 3.5 * 25 \text{mm}$</p> <p>24+2PCS</p>	<p>H</p>  <p>$\varnothing 3.5 * 14 \text{mm}$</p> <p>40+4PCS</p>	<p>I</p>  <p>8+1PCS</p>
<p>J</p>  <p>1 set</p>	<p>K</p>  <p>4 PCS</p>	<p>L</p>  <p>$M6 * 40 \text{mm}$</p> <p>3 PCS</p>	<p>M</p>  <p>$780 * 30 * 15 \text{mm}$</p> <p>1 PCS</p>
<p>L</p>  <p>$L=350 \text{mm}$</p> <p>3 PCS</p>	<p>DL</p>  <p>$L=350 \text{mm}$</p> <p>3 PCS</p>	<p>R</p>  <p>$L=350 \text{mm}$</p> <p>3 PCS</p>	<p>DR</p>  <p>$L=350 \text{mm}$</p> <p>3 PCS</p>

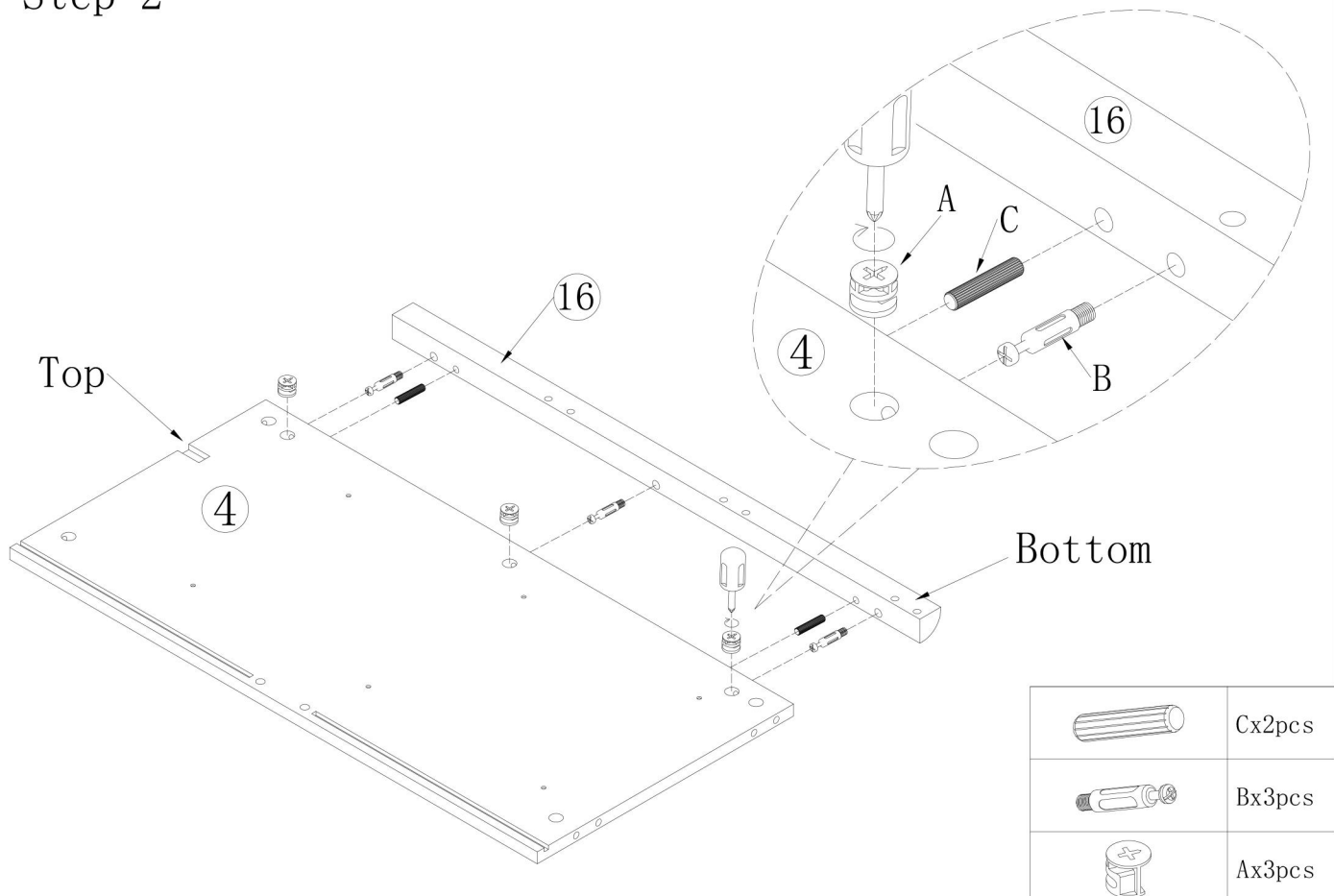
Assembly Steps (EN) /Montageschritte (DE)




Step 1



	Cx2pcs
	Bx3pcs
	Ax3pcs

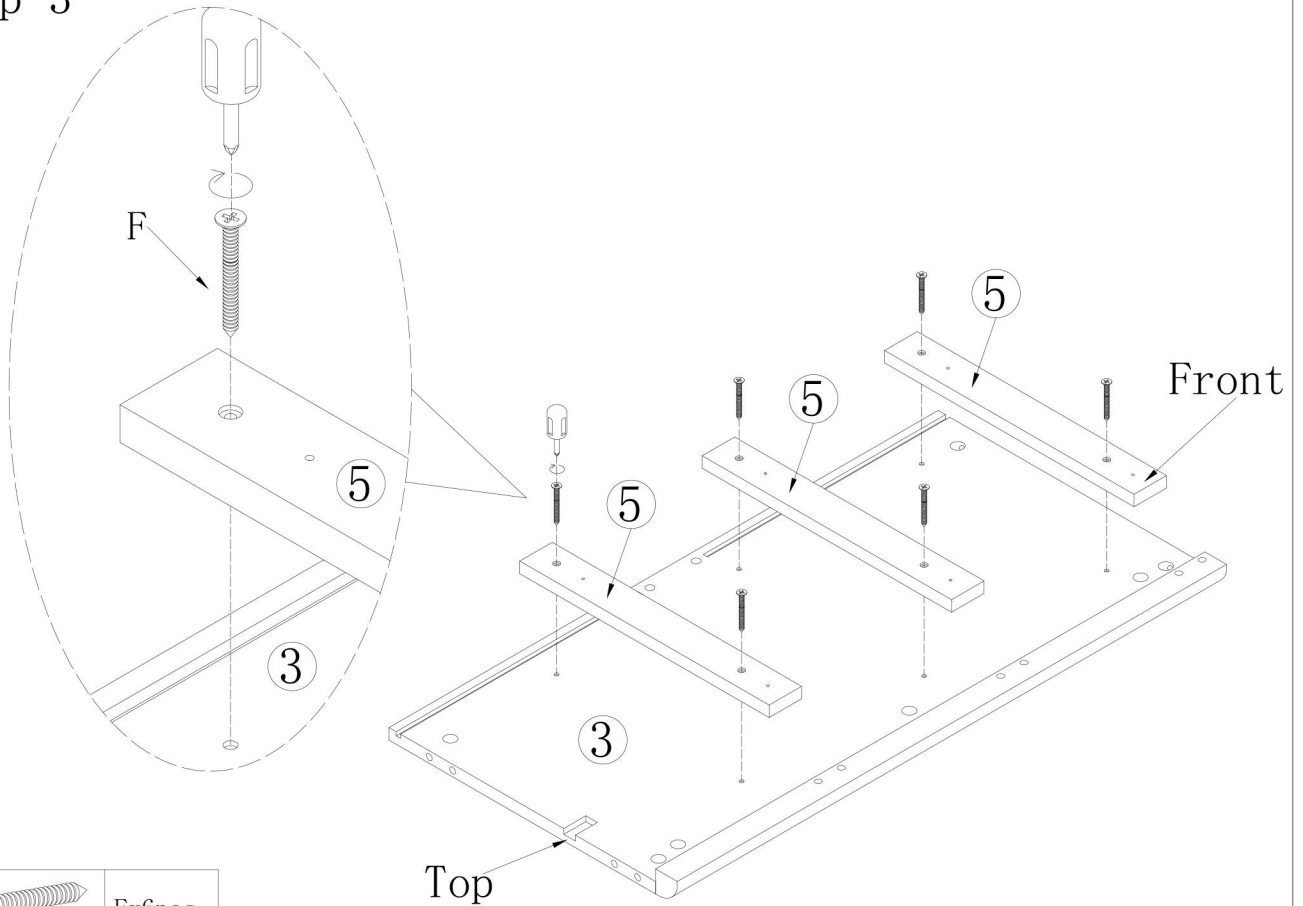
Step 2



	Cx2pcs
	Bx3pcs
	Ax3pcs

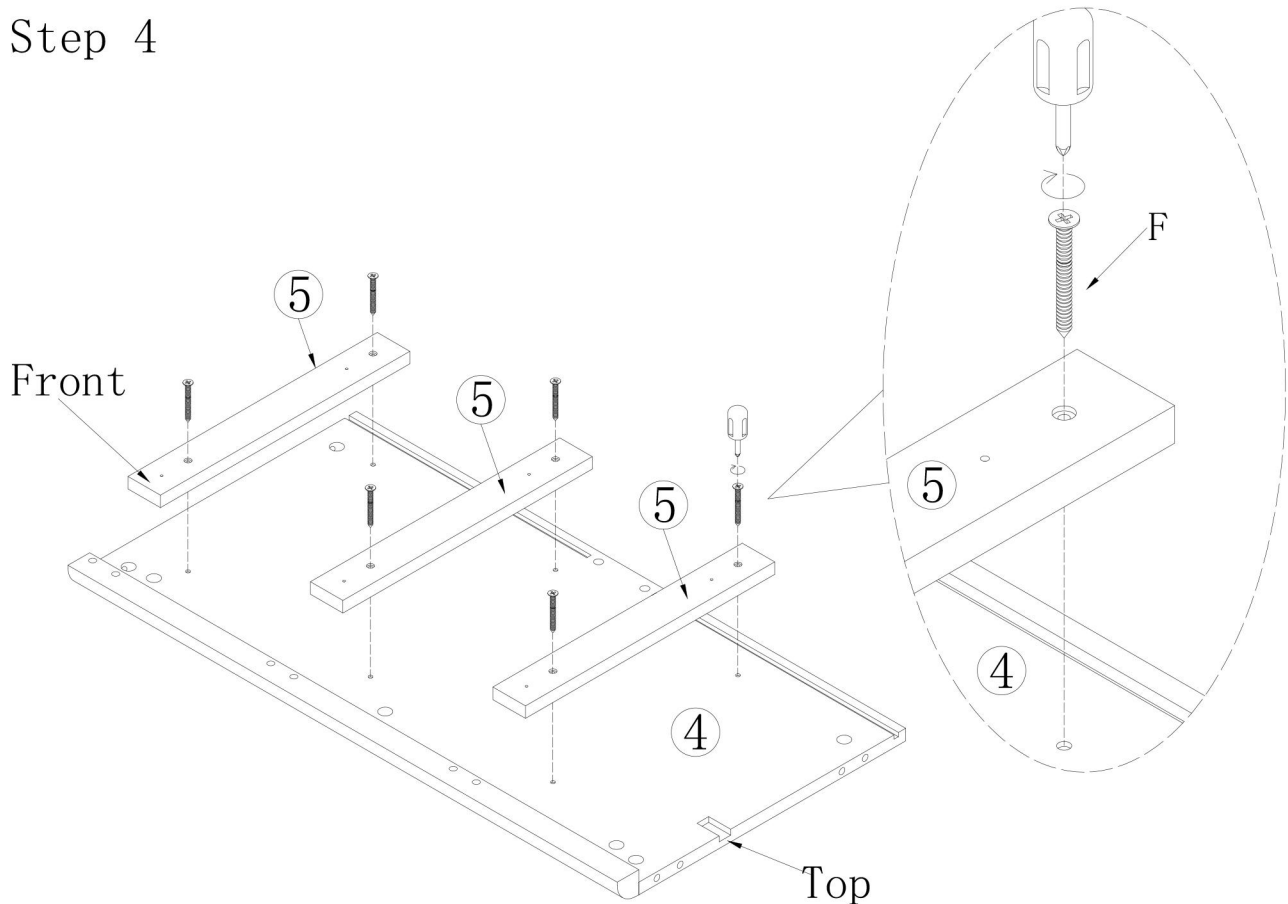
Assembly Steps (EN) /Montageschritte (DE)

Step 3



Fx6pcs

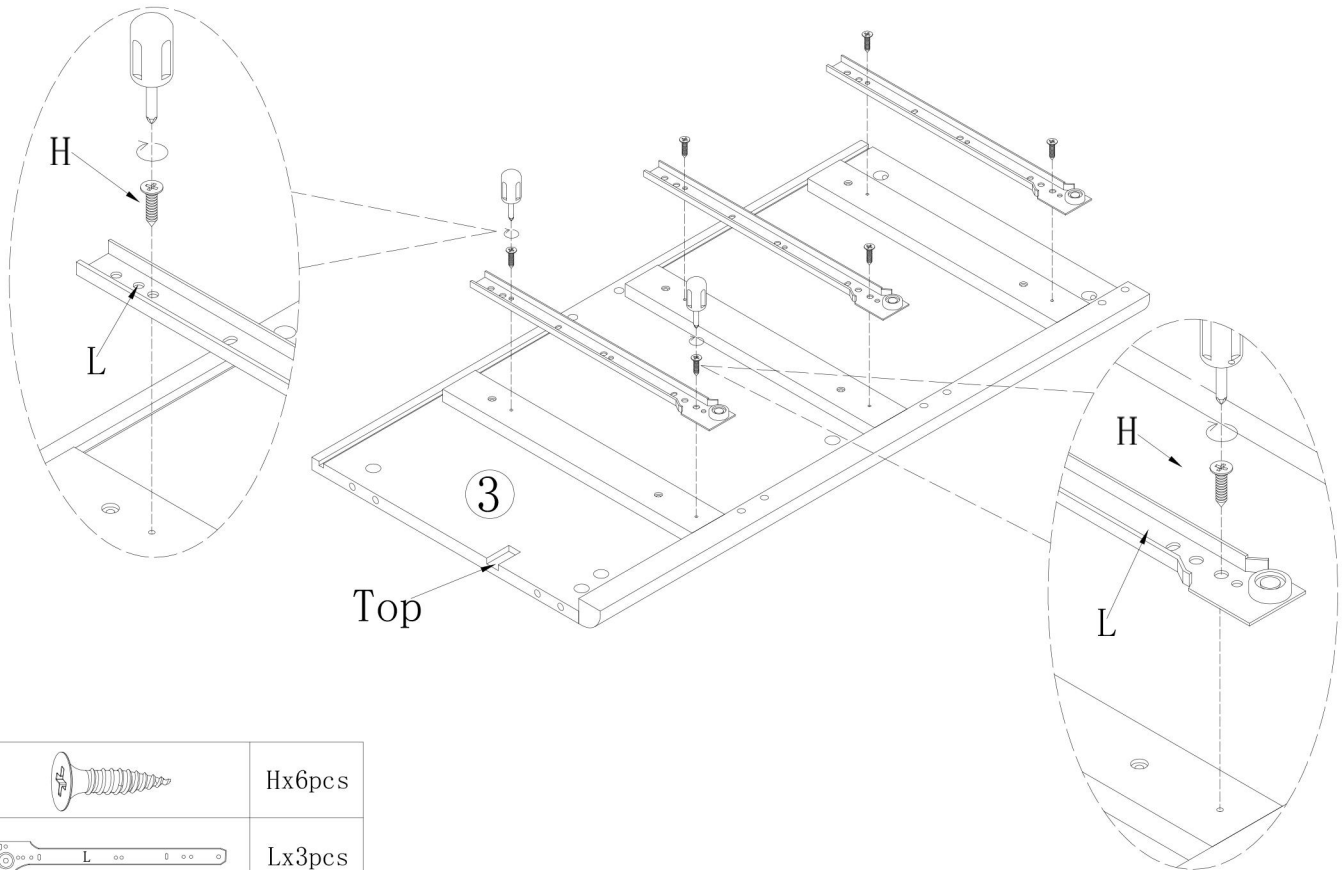
Step 4





Fx6pcs

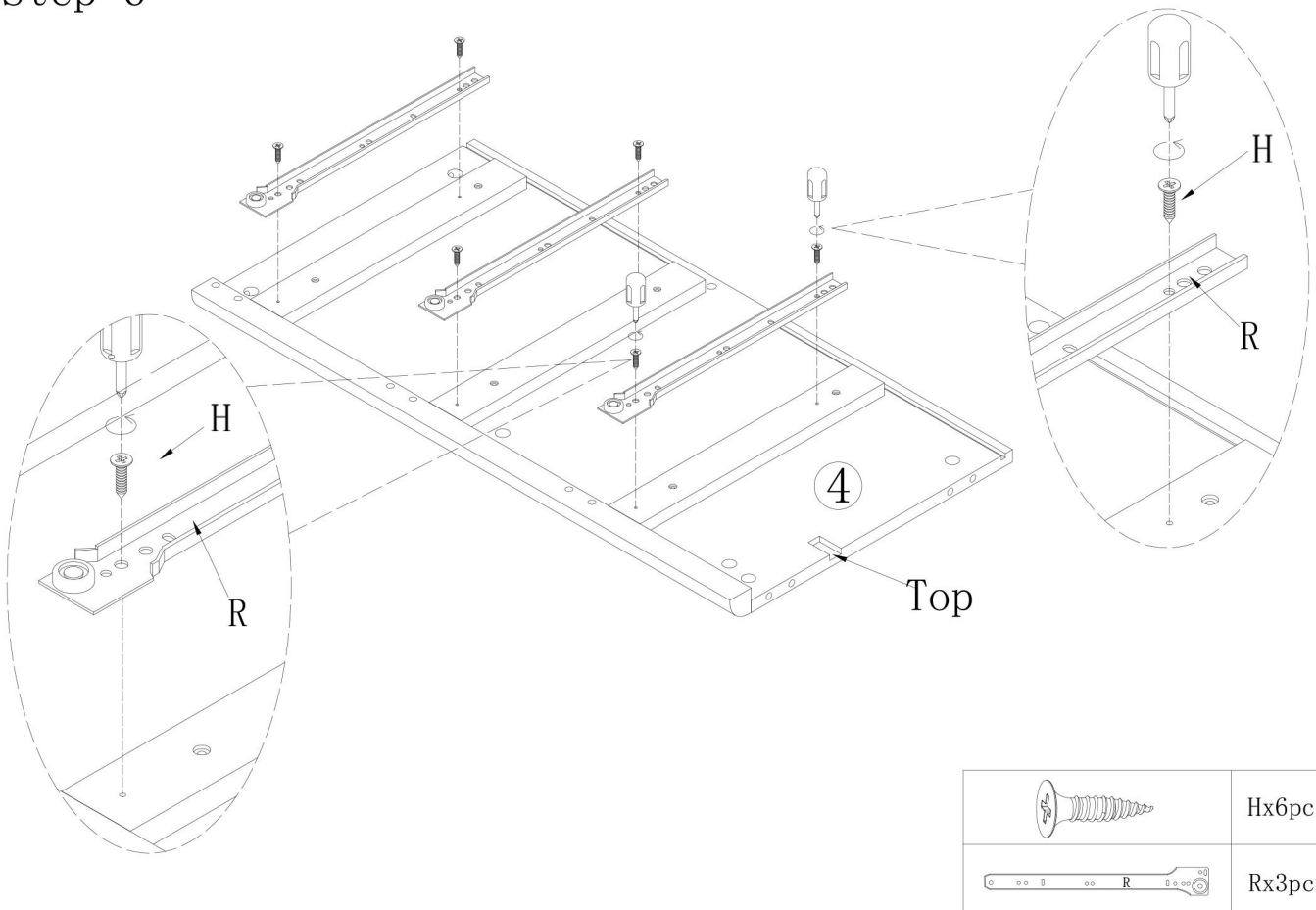
Assembly Steps (EN) /Montageschritte (DE)

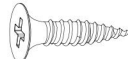

Step 5



	Hx6pcs
	Lx3pcs

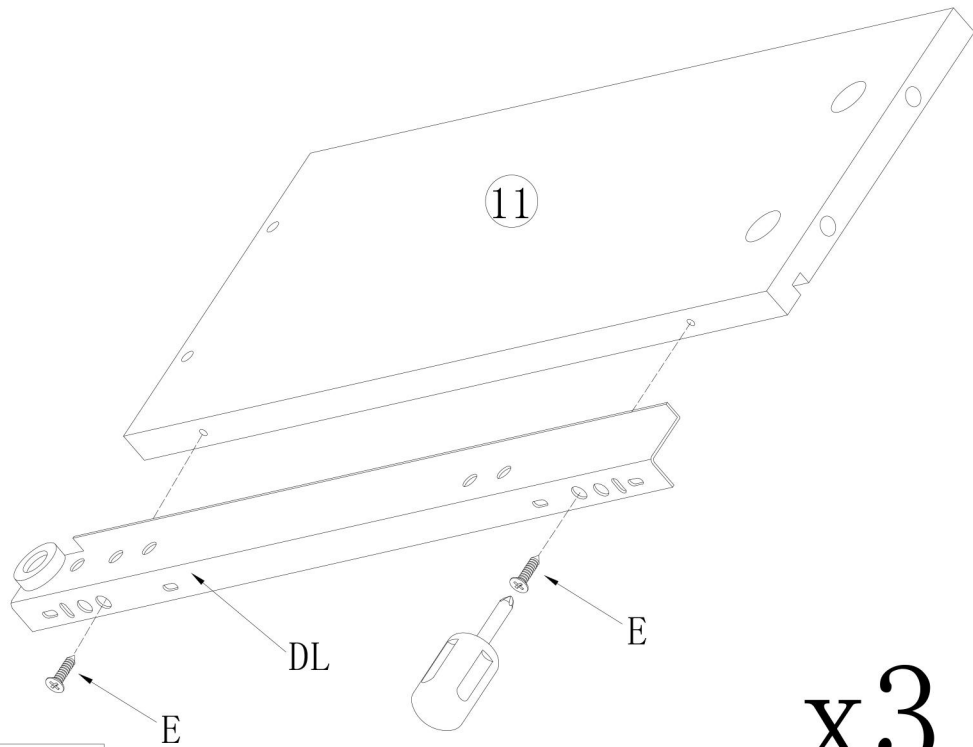
Step 6





	Hx6pcs
	Rx3pcs

Assembly Steps (EN) /Montageschritte (DE)

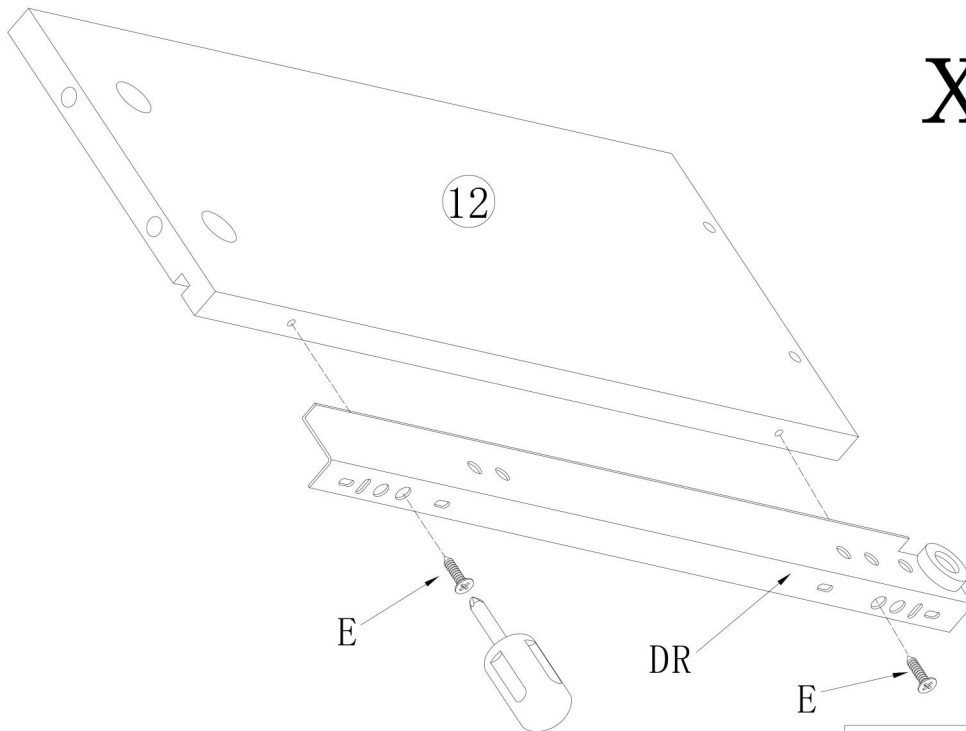
Step 7



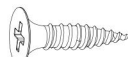

x3

	Ex6pcs
	DLx3pcs

Step 8

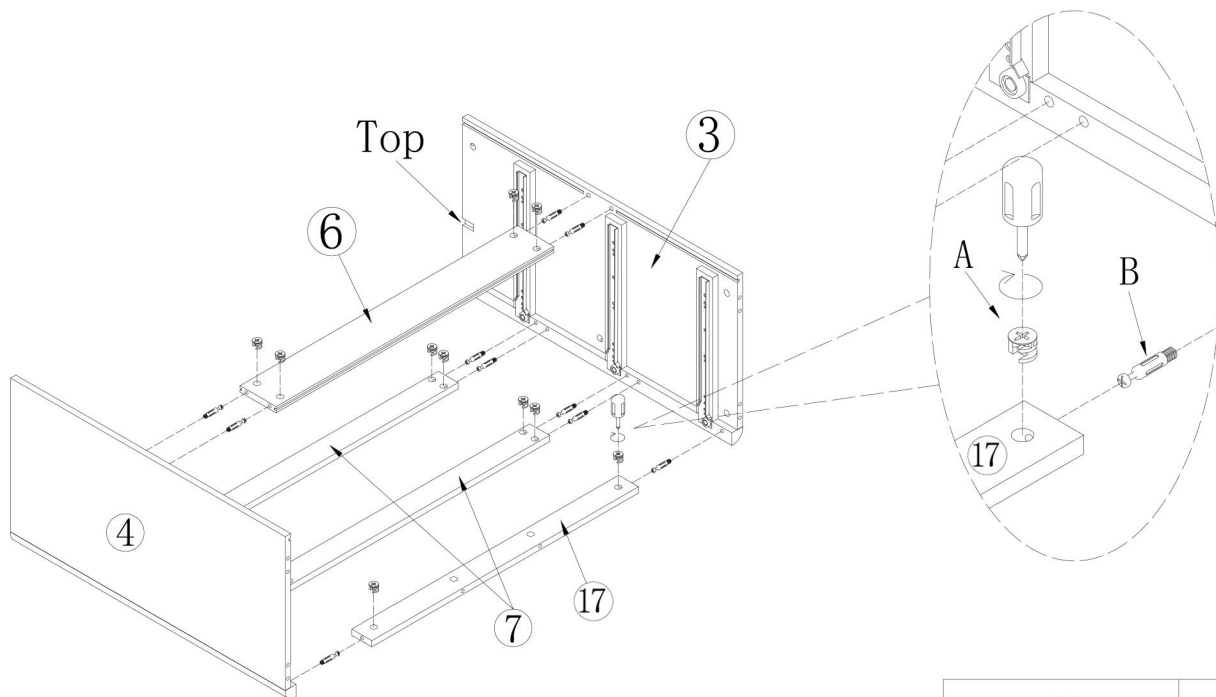




x3

	Ex6pcs
	DRx3pcs

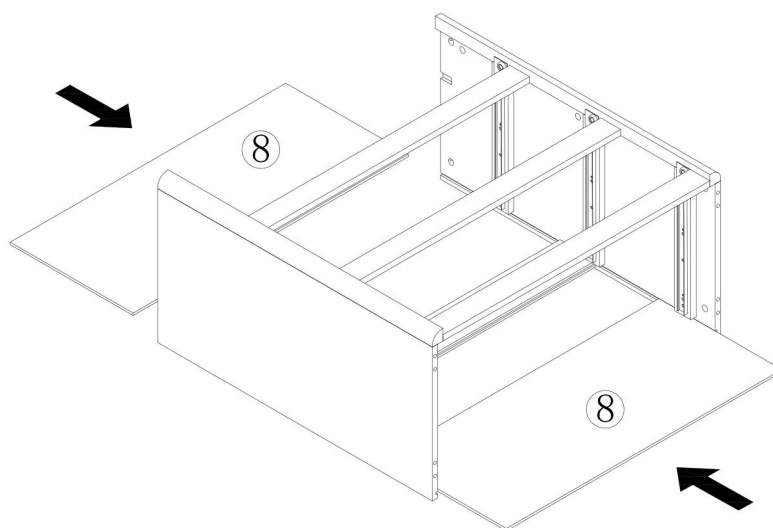
Assembly Stpes (EN) /Montageschritte (DE)

Step 9



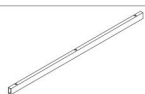
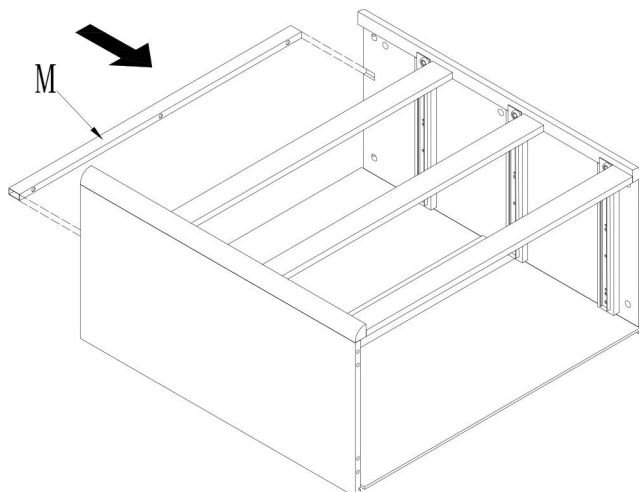
	Ax14pcs
	Bx14pcs

Step 10



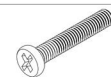
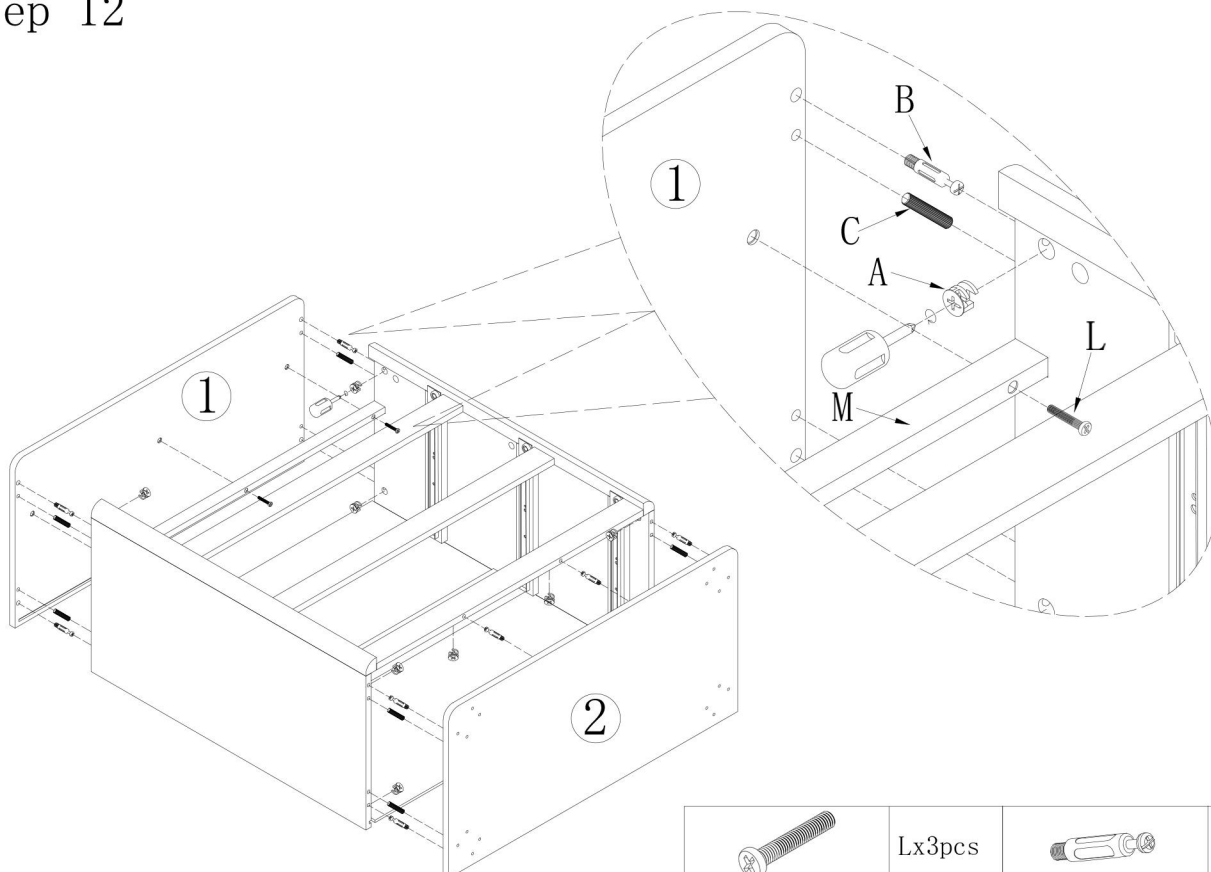
Assembly Steps (EN) /Montageschritte (DE)

Step 11



Mx1pcs

Step 12



Lx3pcs



Bx10pcs



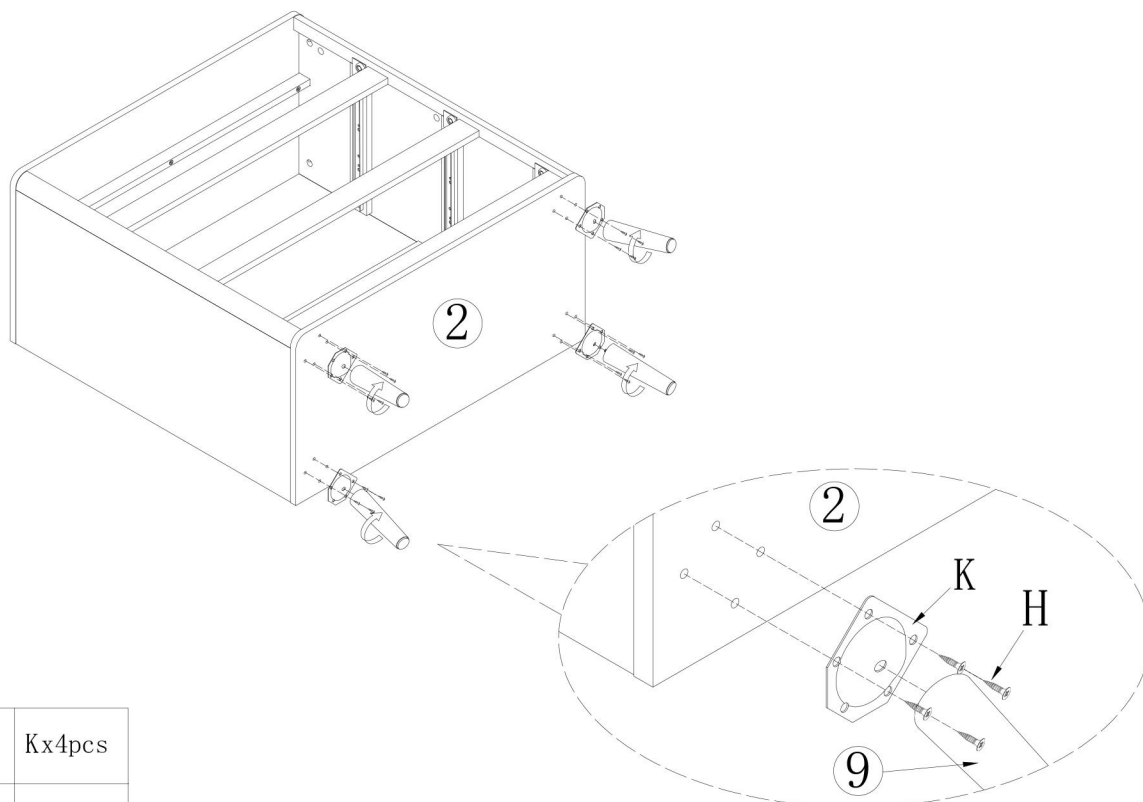
Cx8pcs





Ax10pcs

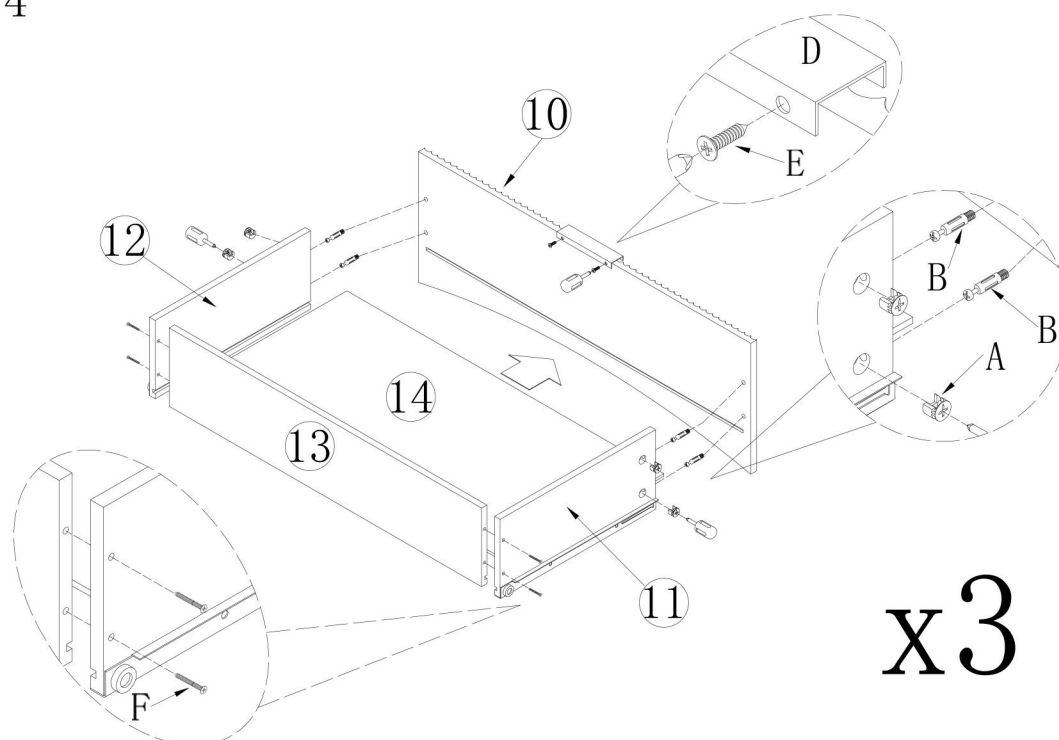
Assembly Steps (EN) /Montageschritte (DE)






Step 13



	Kx4pcs
	Hx20pcs

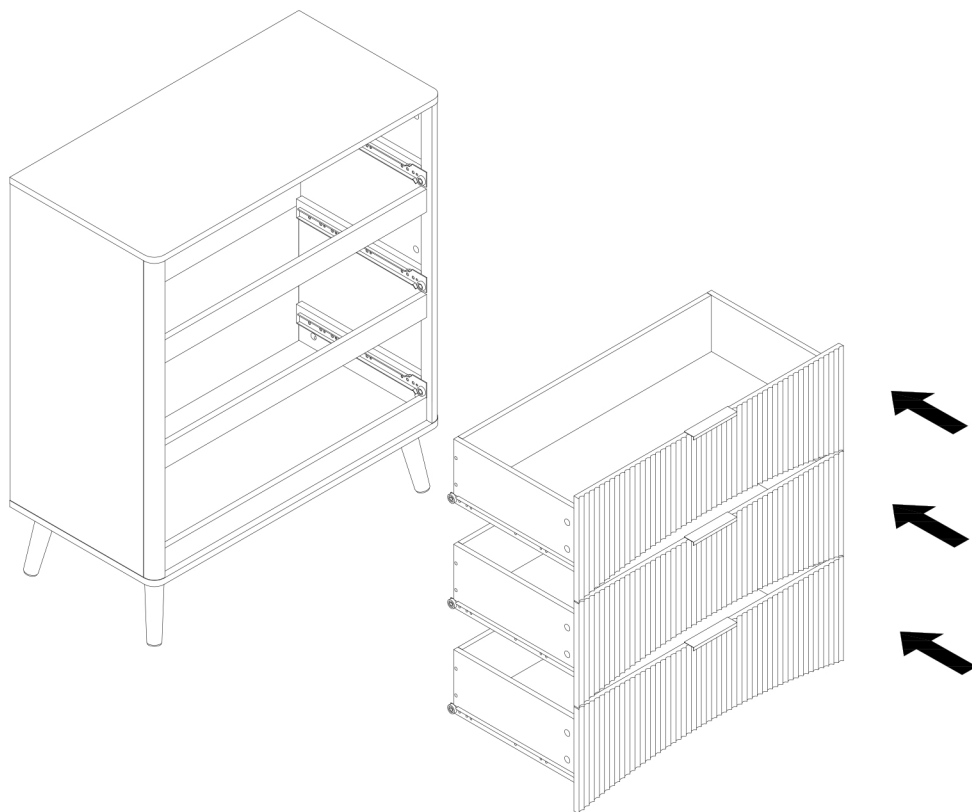
Step 14



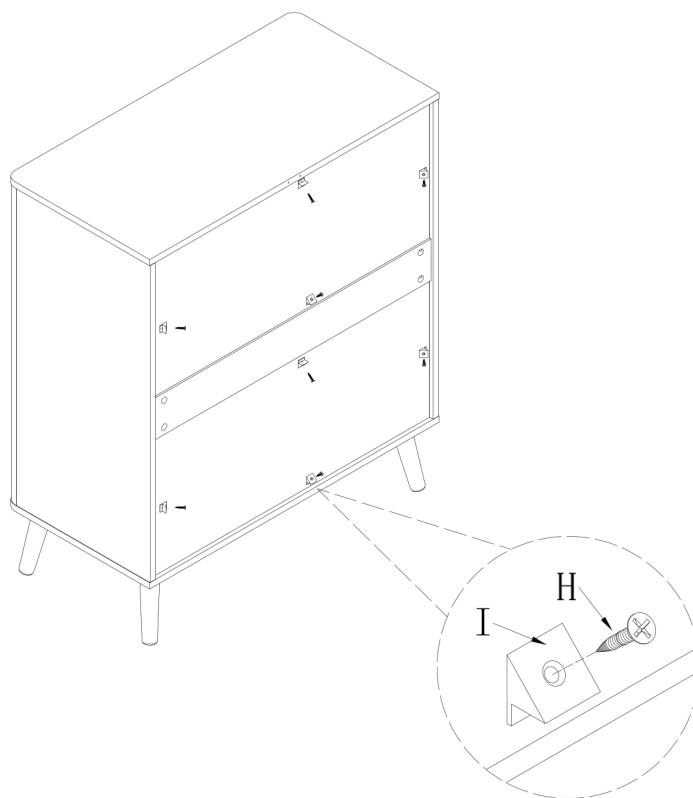
	Fx12pcs		Ex6pcs
	Ax12pcs		Bx12pcs
			Dx3pcs



Assembly Steps (EN) /Montageschritte (DE)

Step 15



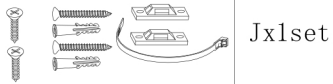
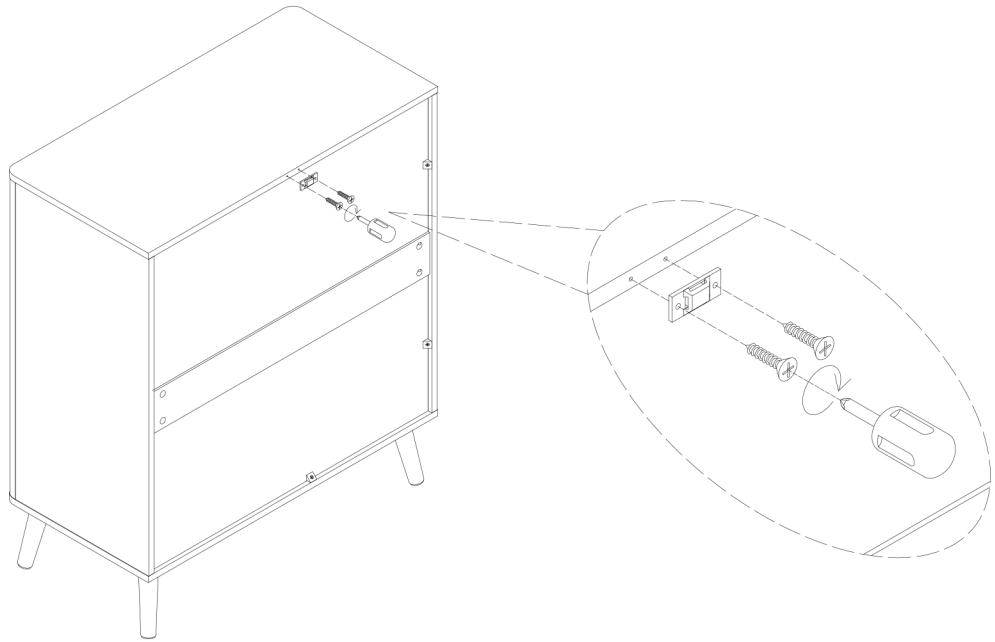
Step 16



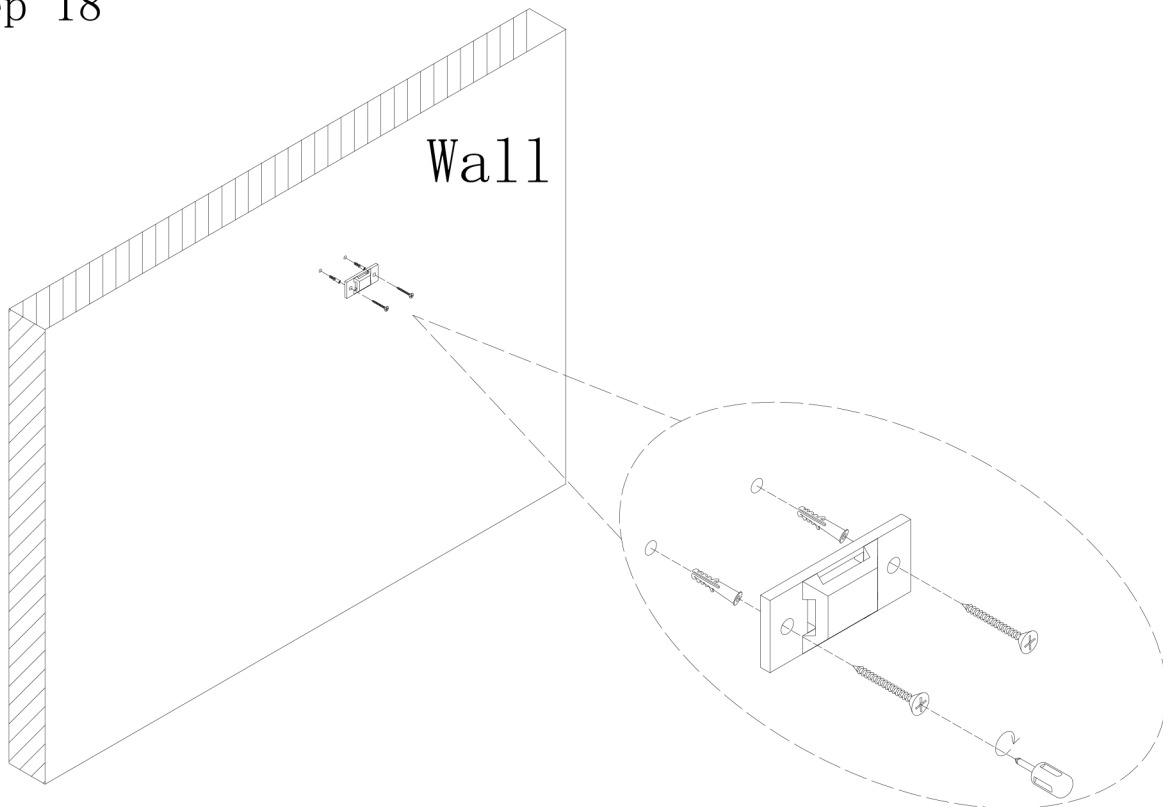
	Hx8pcs
	Ix8pcs

Assembly Steps (EN) /Montageschritte (DE)

Step 17

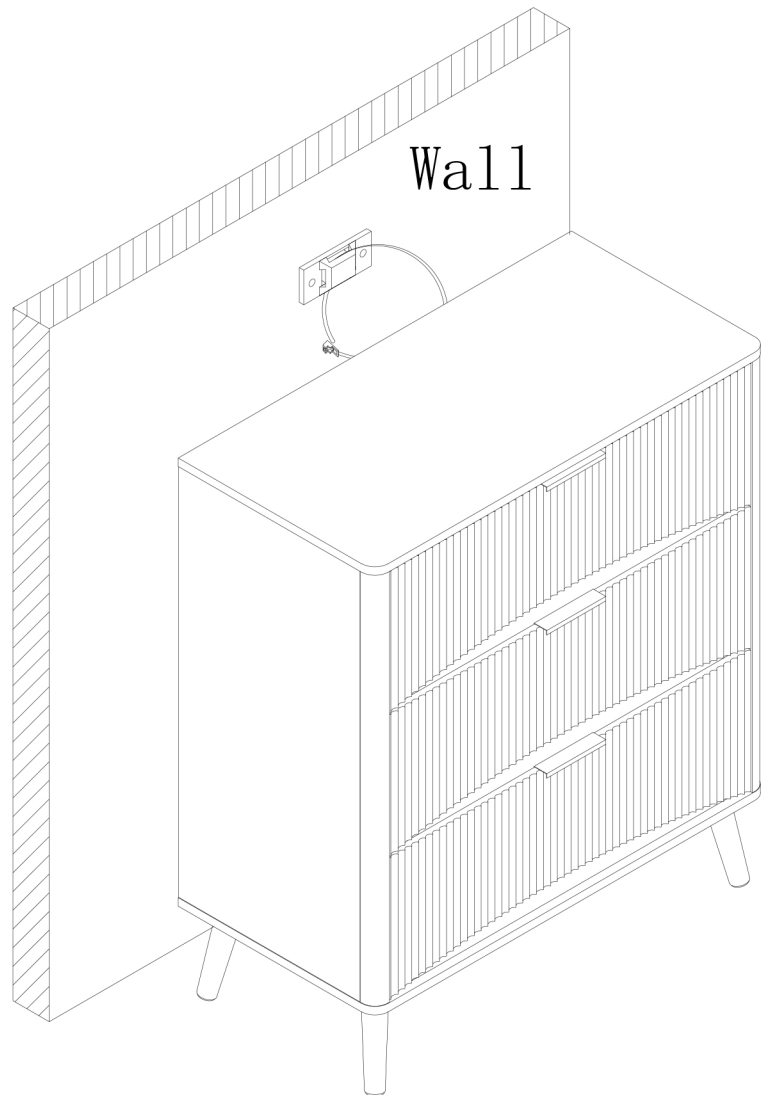
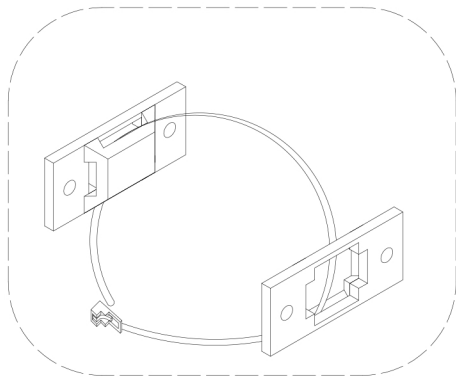


Step 18



Assembly Steps (EN) /Montageschritte (DE)

Step 19



Final