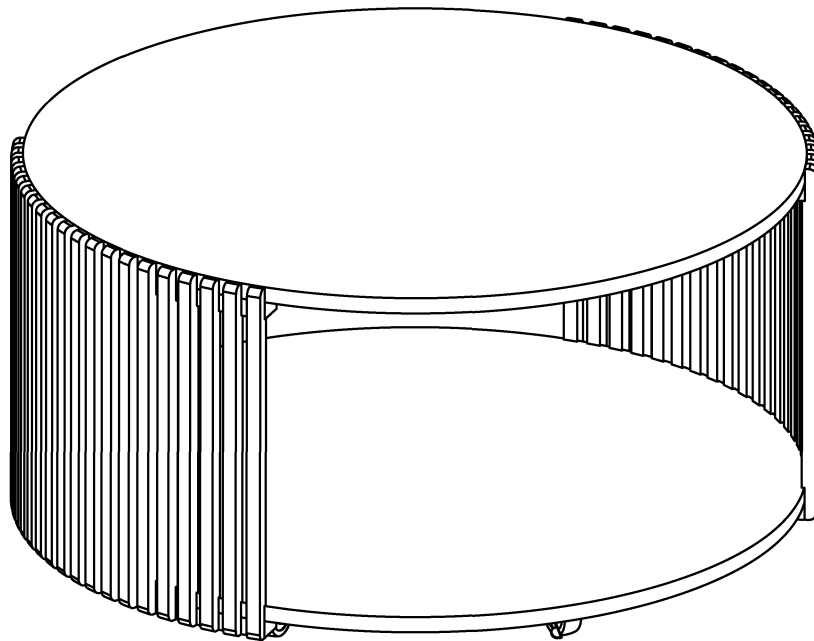
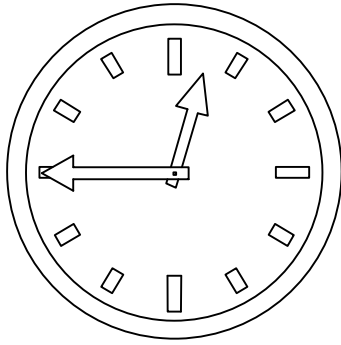


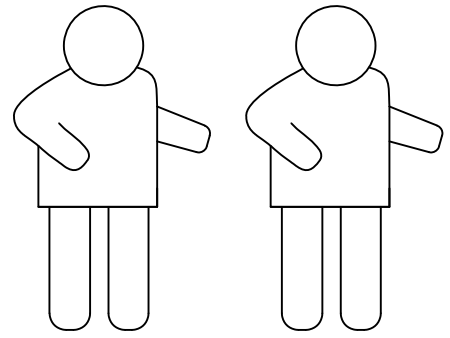
# Assembly Instructions

## Coffee Table

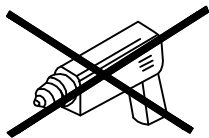
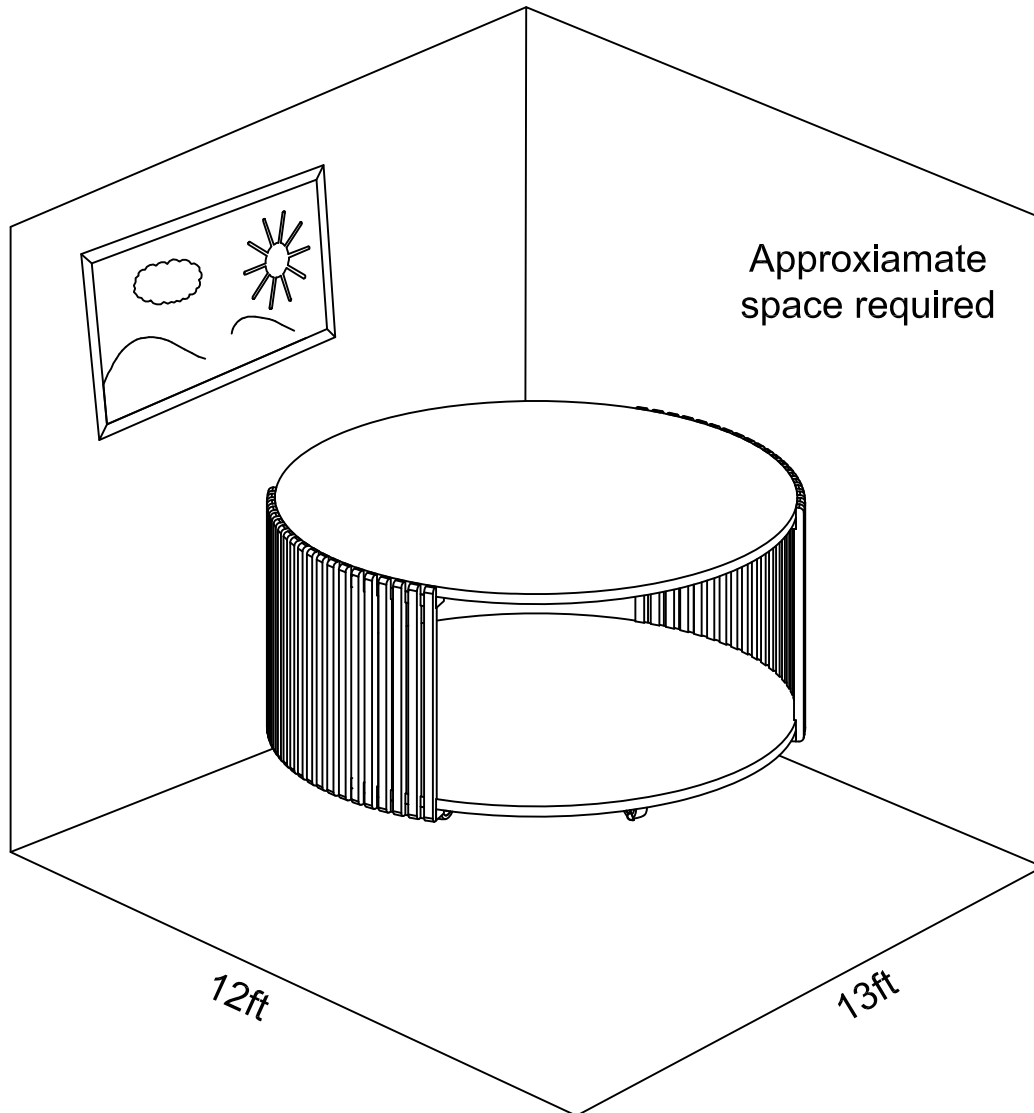




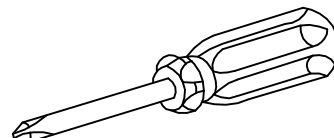
15 min



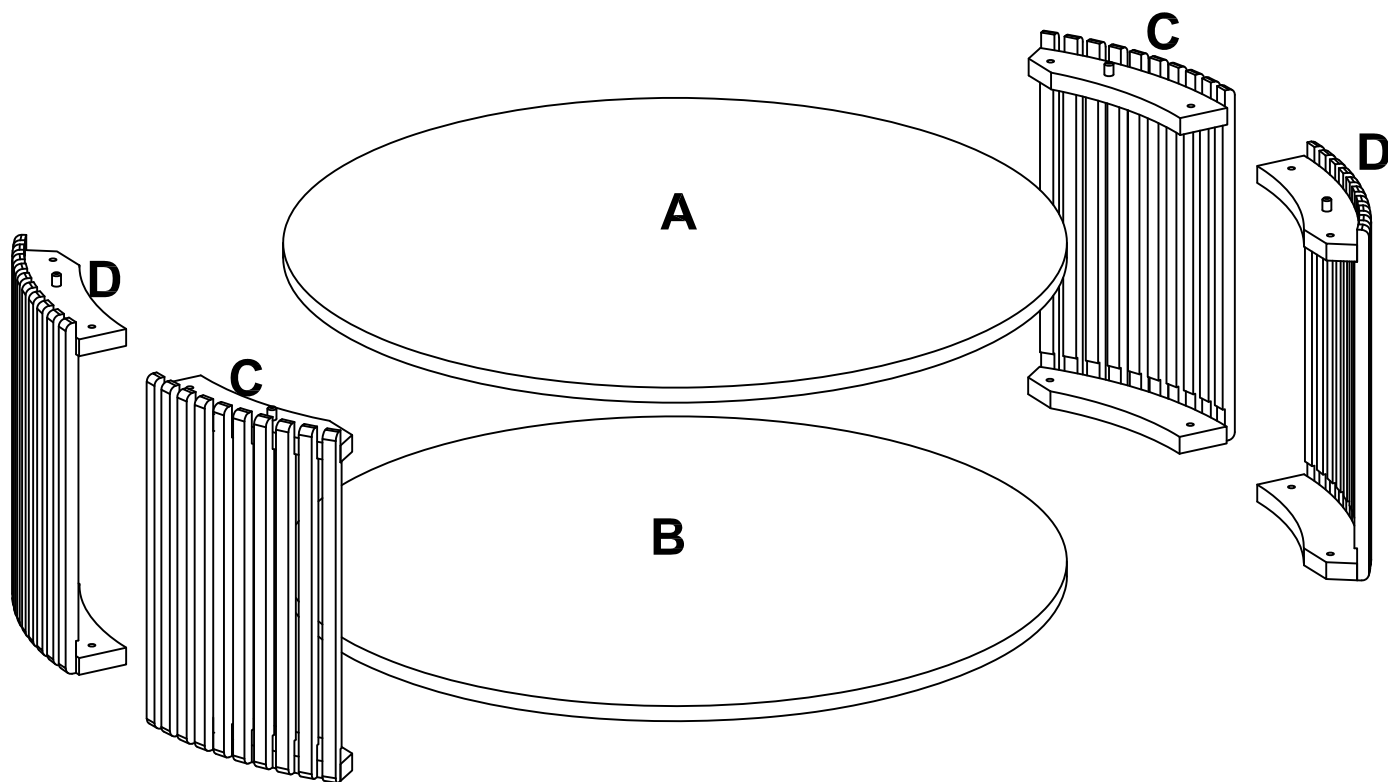
Two People Required



Do not use power tools



Phillips Head (Not provided)



**Replacement parts:**

**A - Table Top x 1**

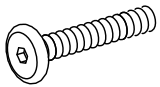
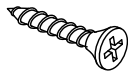

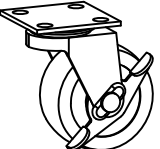
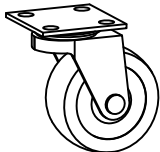
**B - Bottom x 1**

**C - Leg Frame x 2**

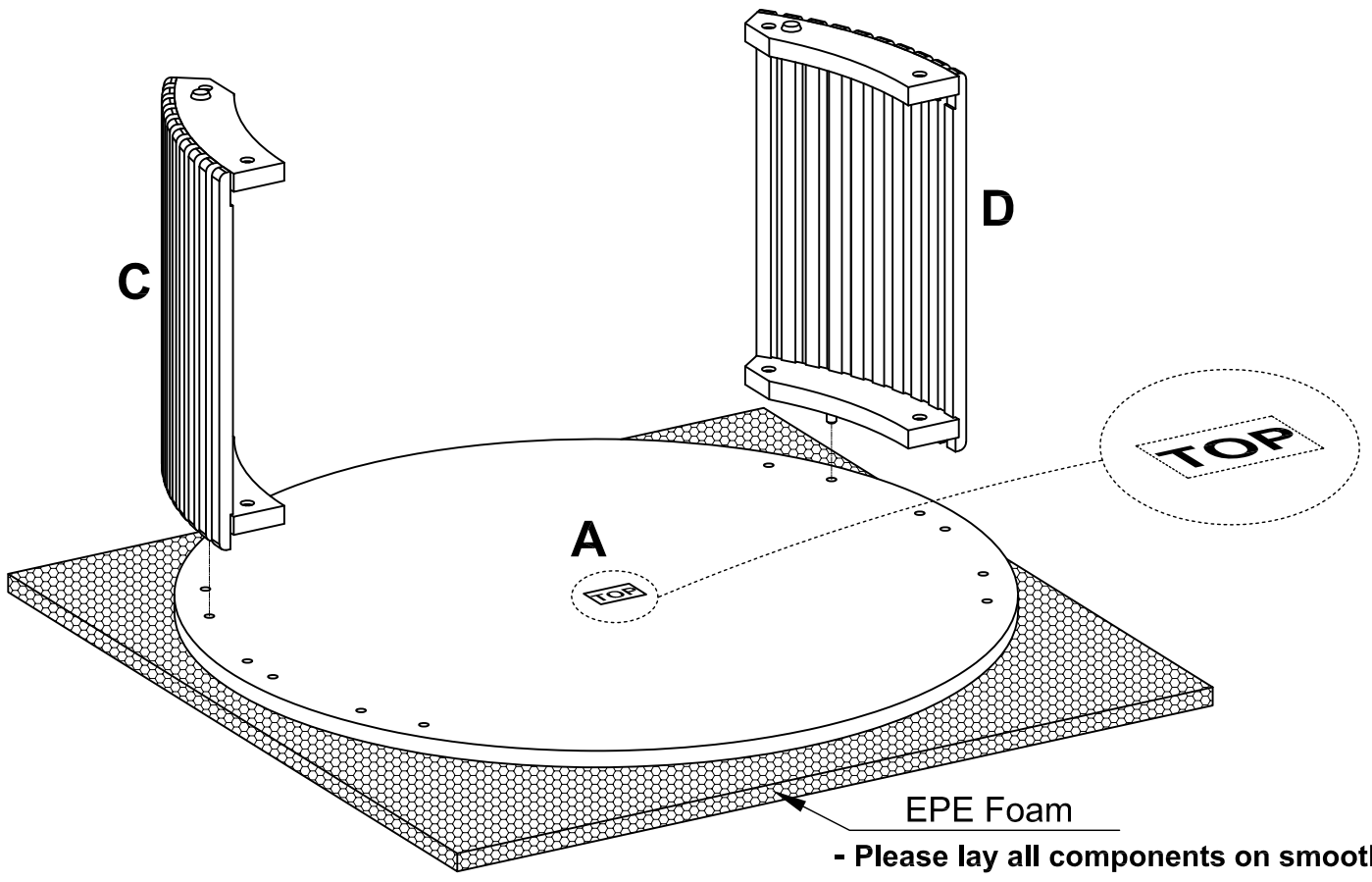
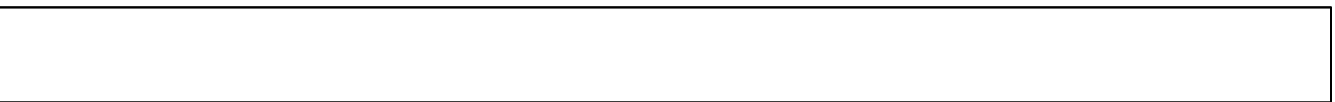
**D - Leg Frame x 2**



**Hardware Pack**

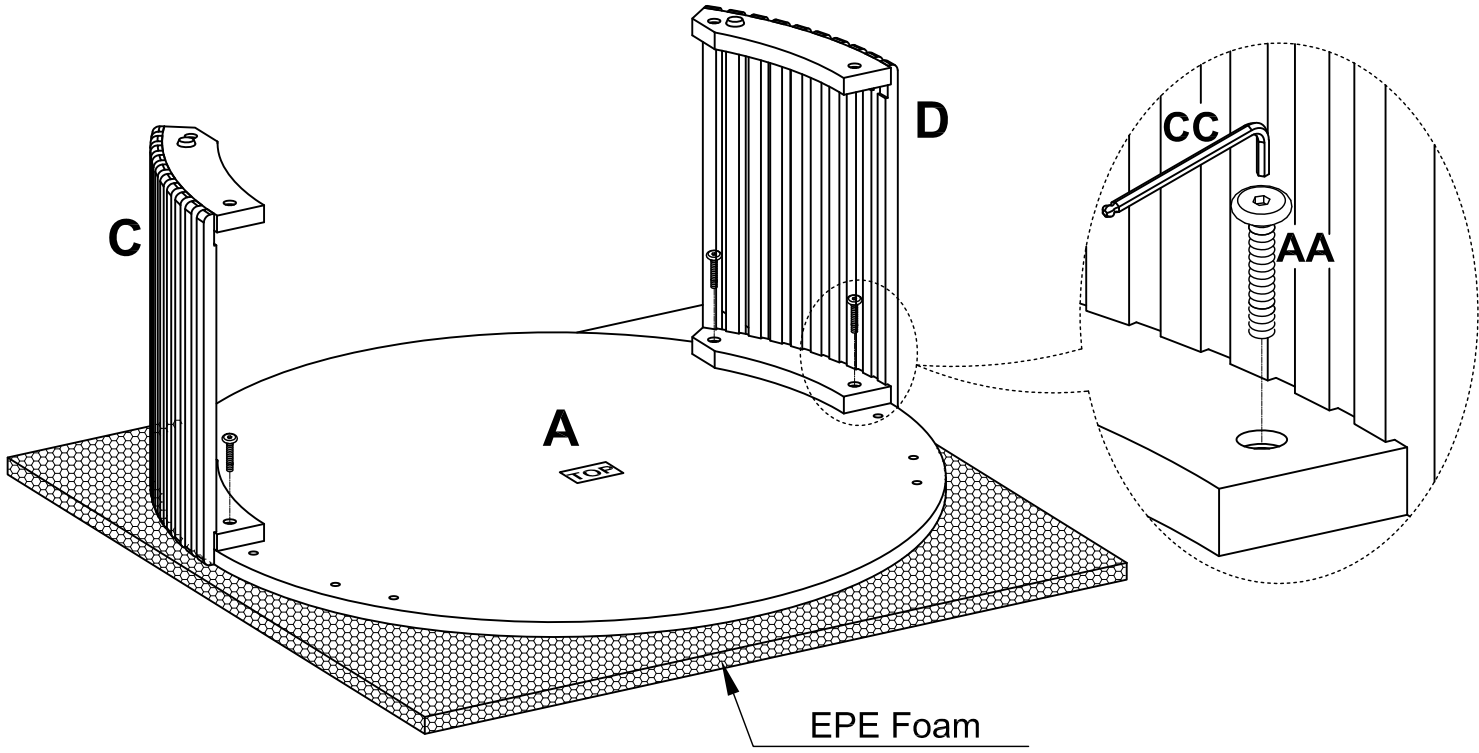
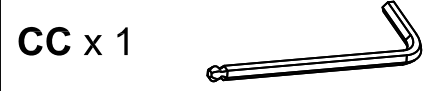
<p><b>AA x 16</b></p>  <p>Ø6.3x25(mm)</p>	<p><b>BB x 24</b></p>  <p>Ø3.5x15(mm)</p>	<p><b>CC x 01</b></p> 	<p><b>DD x 03</b></p> 	<p><b>EE x 03</b></p> 
--	--	---	--	---

1

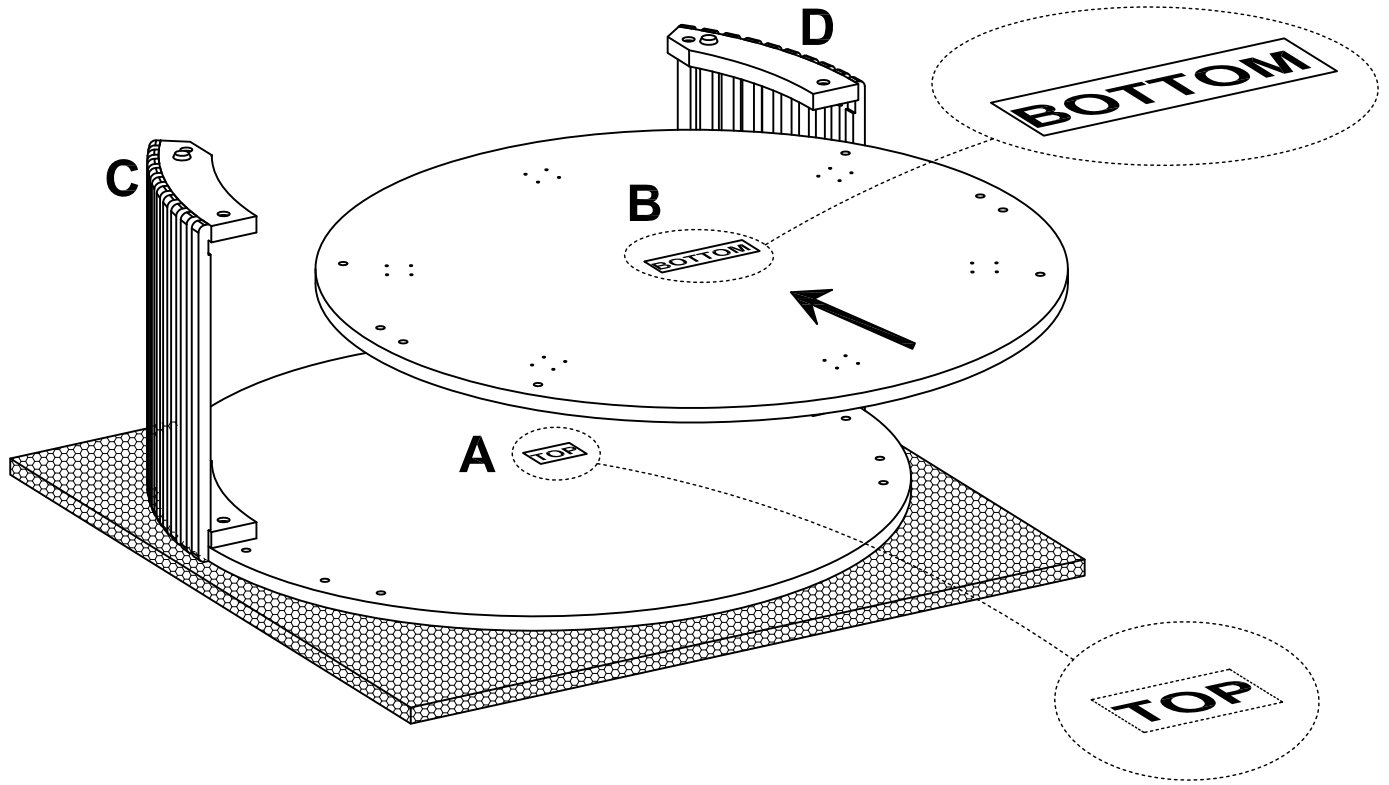


- Please lay all components on smooth flat surface to prevent scratches.

2

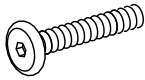


3

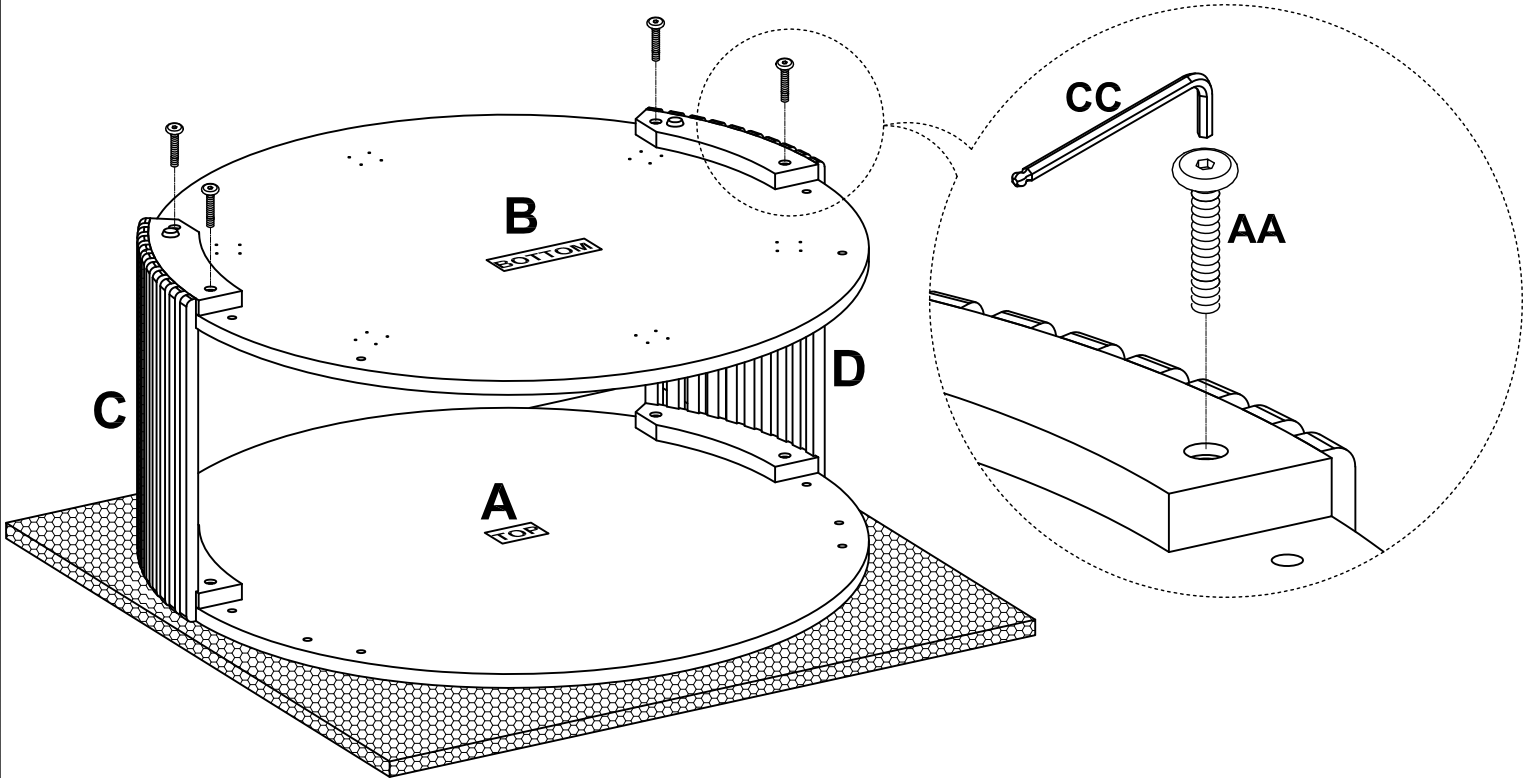


4

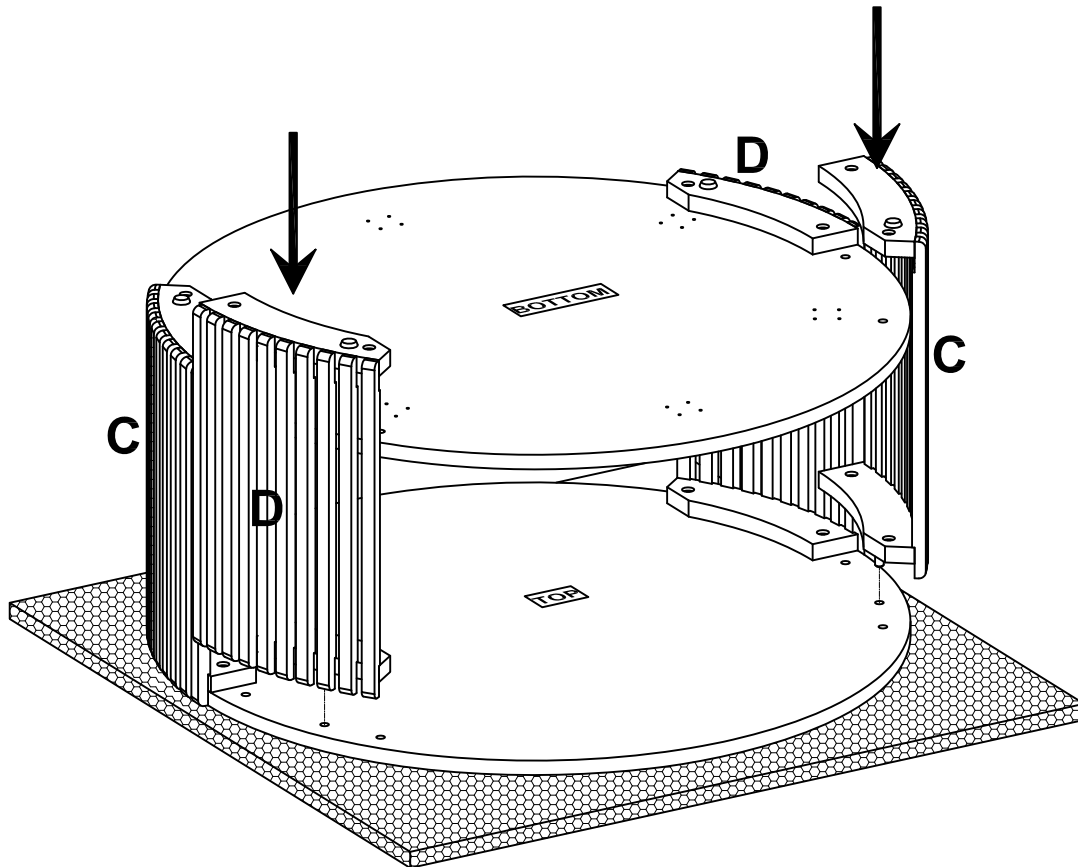
AA x 4



CC x 1

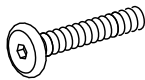


5

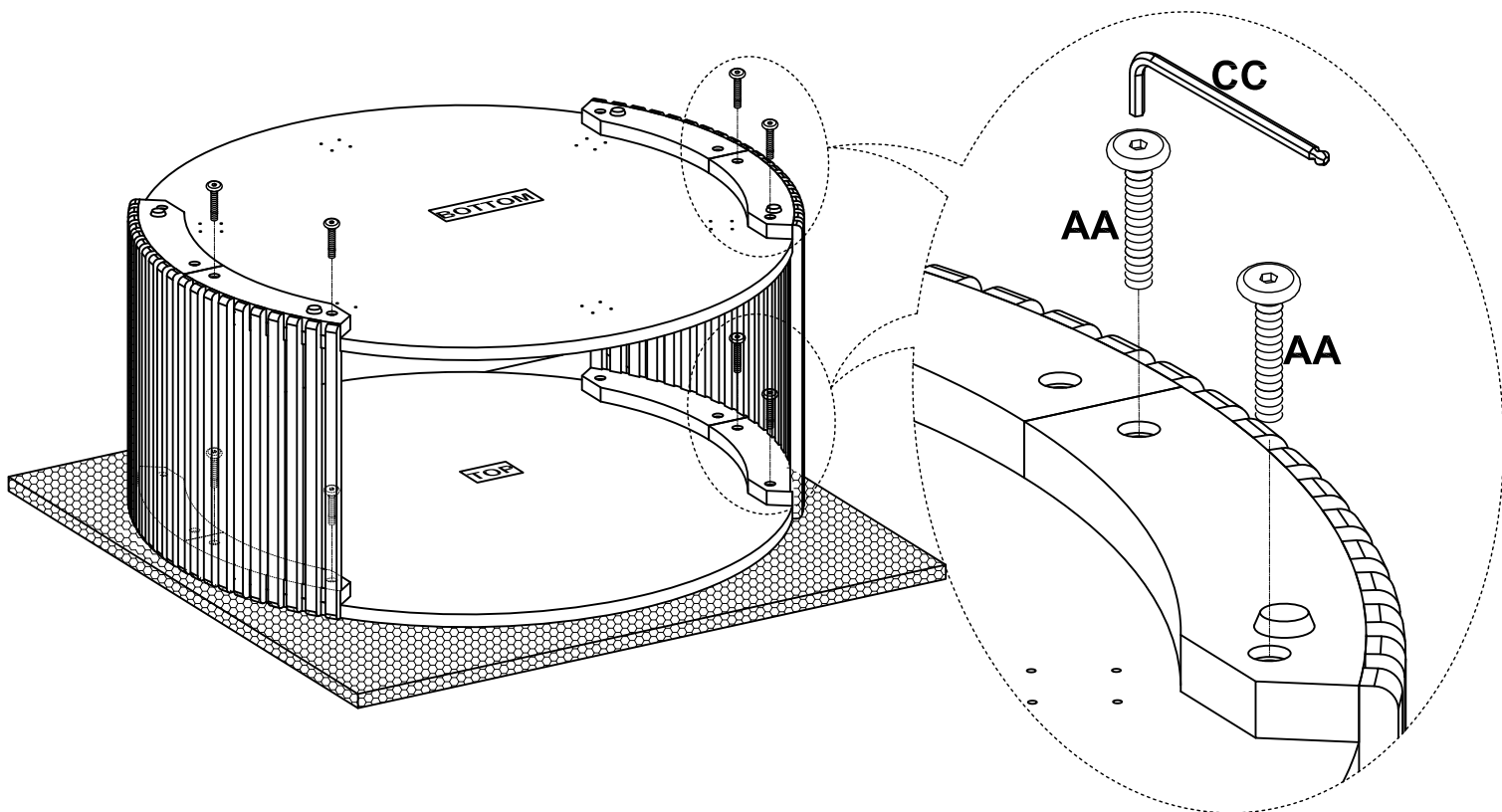


6

AA x 8

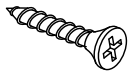


DD x 1



7

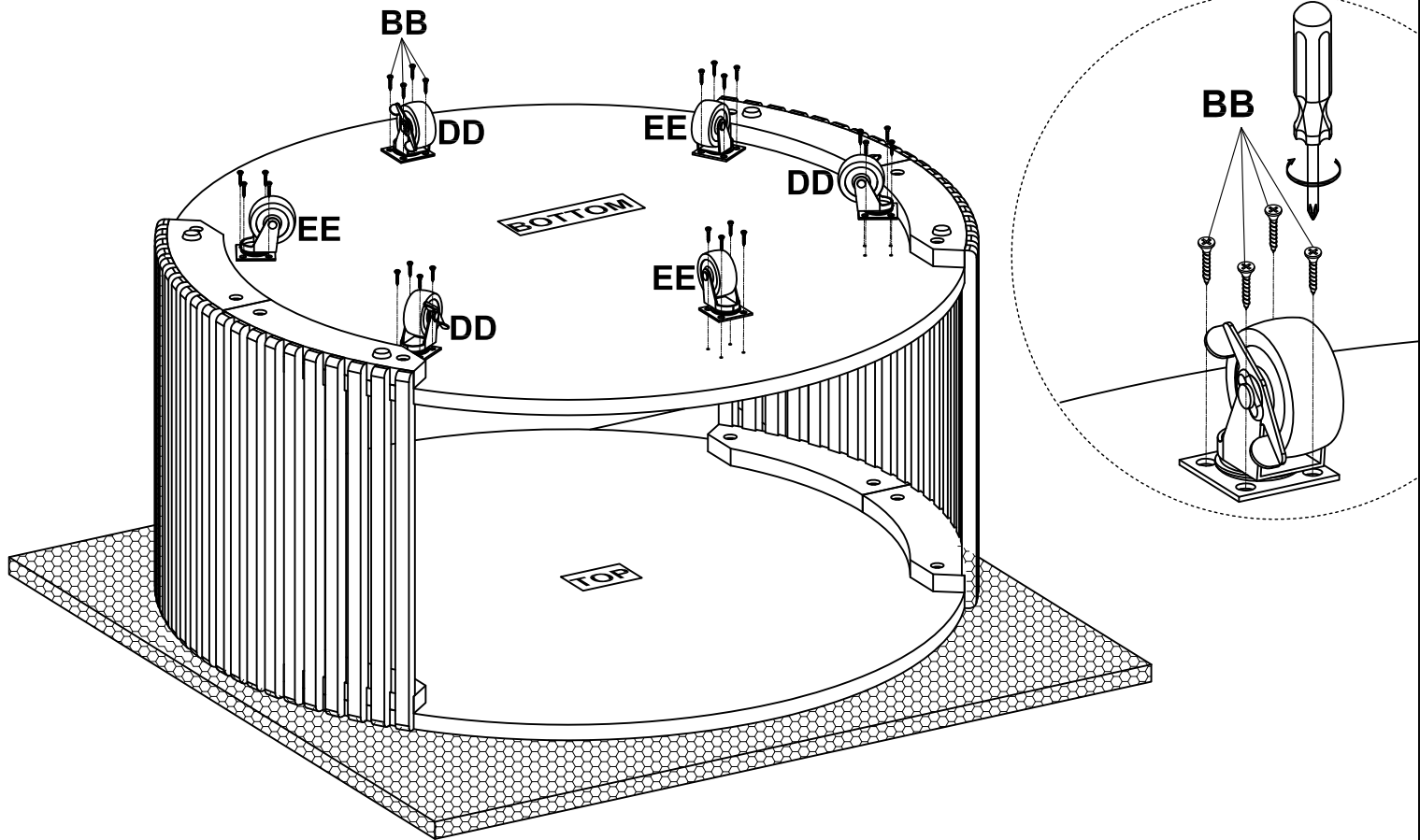
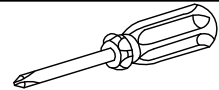
BB x 24



DD x 3



EE x 3



8

