

Floor Mounted Tub Filler Faucet

3084000

You may need



For easy installation of your faucet you will need:

To READ ALL the instructions completely before beginning.

To READ ALL warnings, care, and maintenance information.

Cleaning and Care

Care should be given to the cleaning of this product. Although its finish is extremely durable, it can be damaged by harsh abrasives or polish.

To clean, simply wipe gently with a damp cloth and blot dry with a soft towel.

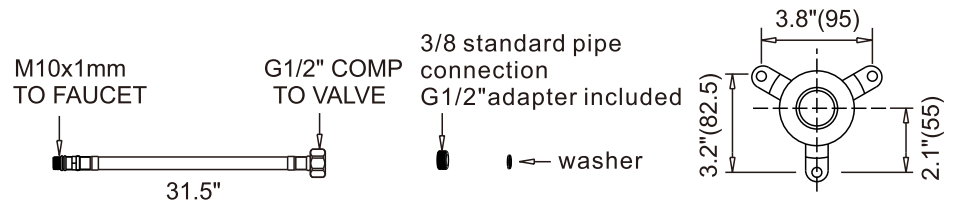
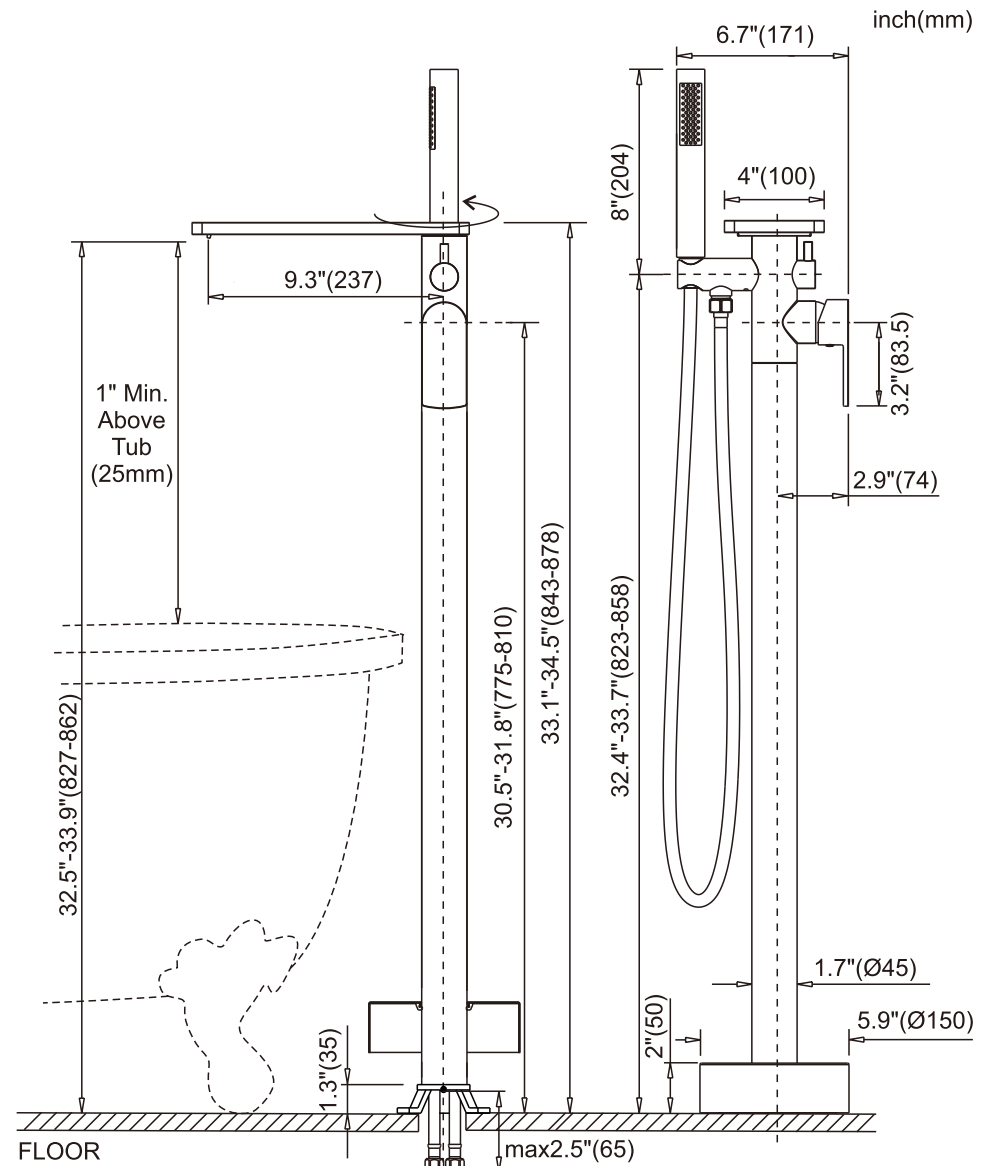
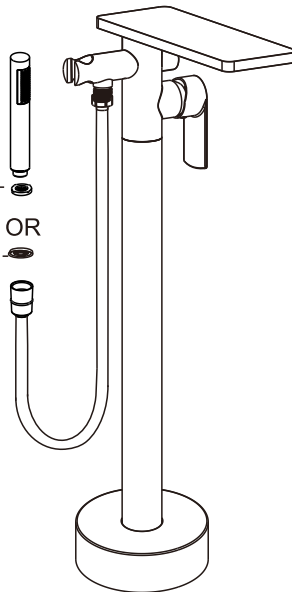
With 1.8 gpm are compliant with California water efficiency regulations, Complies with California Proposition 65 and with the Federal Safe Drinking Water Act.

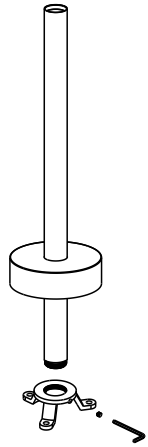
Water Use Information:

1.8 gpm 6.8L/min,
You can choose to replace the current limiting device and face the water pipe square.

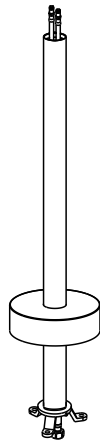
Attach hand shower to hose, with gasket between connection.

The 1.8gpm gasket - with o-ring side should face to the hose.

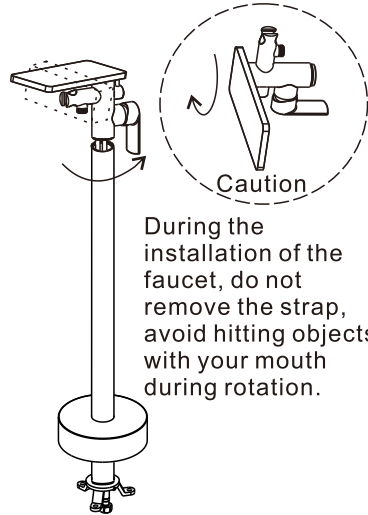




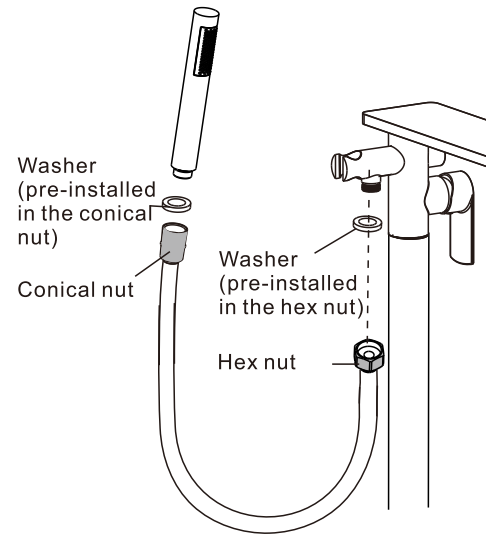
1. Place the flange over the standpipe and push it to the base.
2. Connect the brass base seat to the standpipe, fasten the base seat and standpipe with an allen key.



Place the water inlet supply hoses to the standpipe

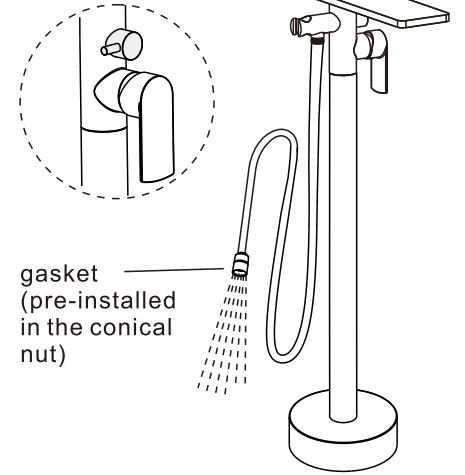


During the installation of the faucet, do not remove the strap, avoid hitting objects with your mouth during rotation.
Attach flexible hoses under the hot and cold to faucet body. Attach the faucet to the standpipe.

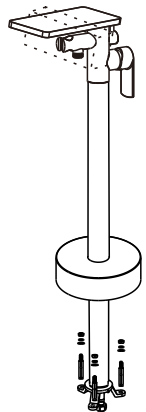


1. Screw hex nut with Hose Washer in place onto the mixer. Hand tighten connection.
2. Screw Conical nut with Hose Washer in place onto handheld shower. Hand tighten connection.

SHOWER

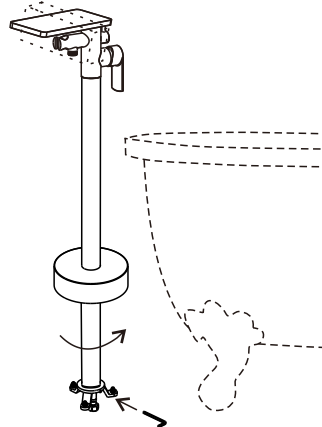


Twist here to switch OFF to shower. Pull hose to its furthest extension and hold it down into the tub. Turn on hot and cold water supplies and flush water lines for one minute.

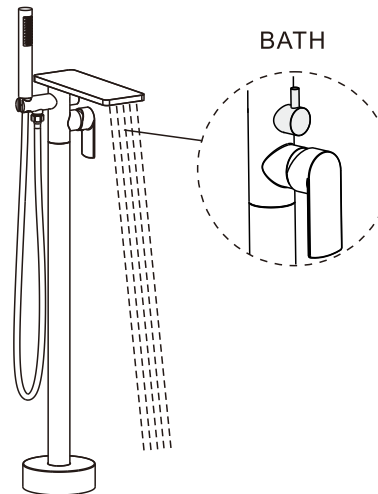


Mark the locations for the screws with a pencil. With an electric drill, drill 3 holes for the expansion screws in the floor. Place the expansion screw into the holes. Connect the flexible supply lines to the water supplies.

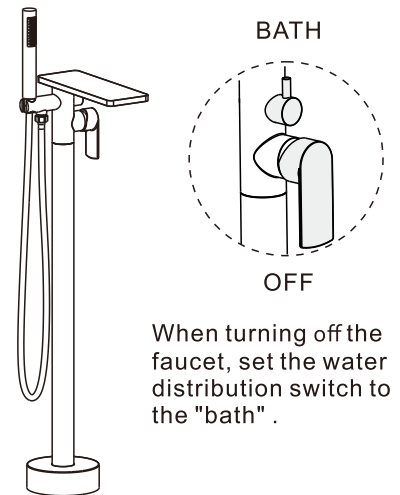
Ensure the standpipe sits flush against the finished floor surface. Then secure the standpipe using screws. Push the escutcheon over the standpipe base so that it sits flush against the finished floor surface.



When the position of the faucet is not coordinated with the bathtub, you can use a hex key to loosen the screw, rotate the standpipe counter-clockwise, adjust the appropriate position, and then reassemble the screw.



Turn faucet handles all the way on. Twist here to switch OFF to BATH. Turn on hot and cold water supplies and flush water lines for one minute. Important: This flushes away any debris that could cause damage to internal parts.



FLUSH SYSTEM/CHECK FOR LEAKS. Turn on hot and cold water supplies and flush water lines for one minute. Check all connections at arrows for leaks. Retighten if necessary, but do not overtighten.