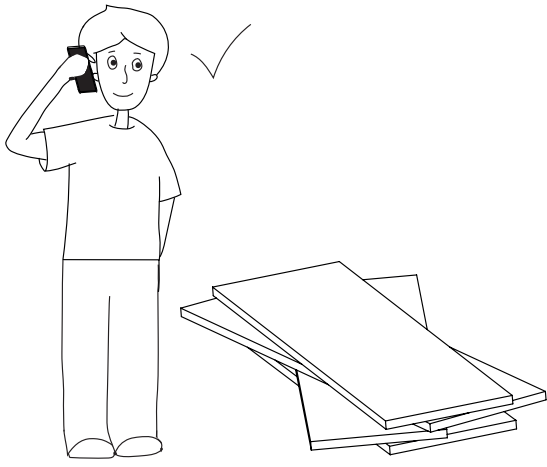
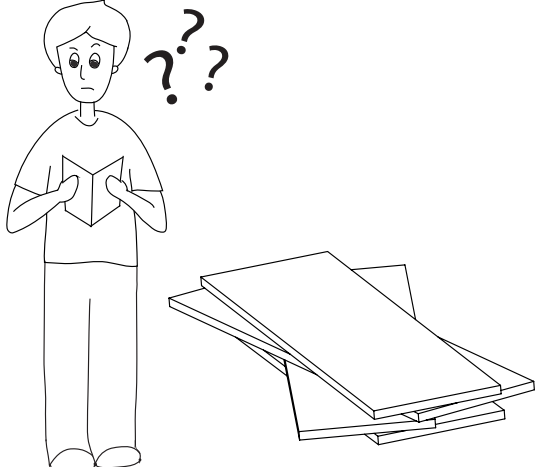
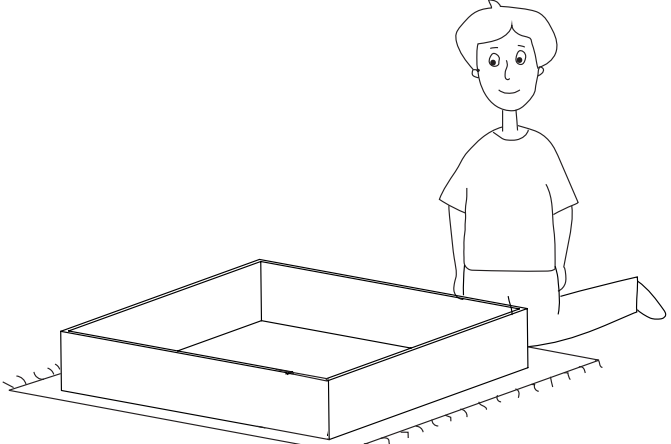
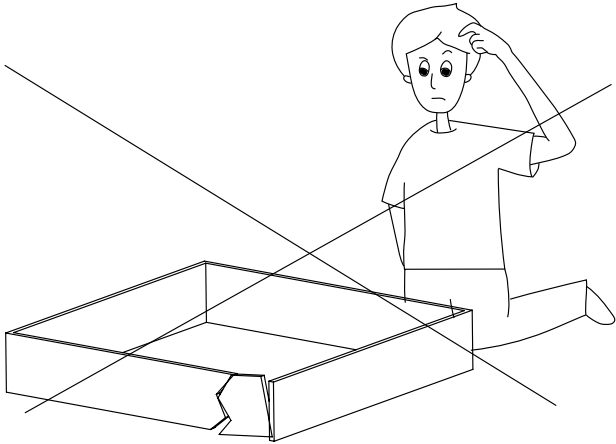
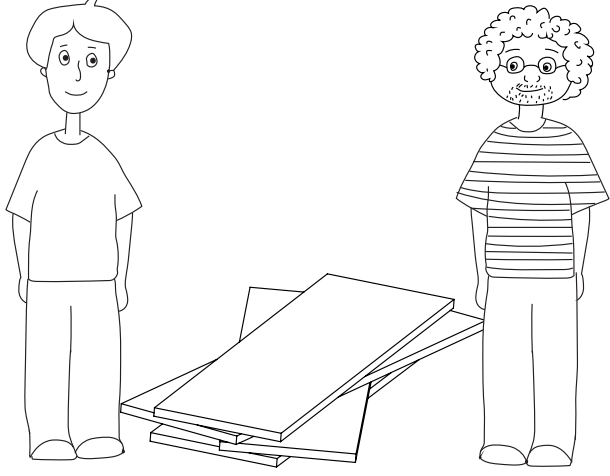
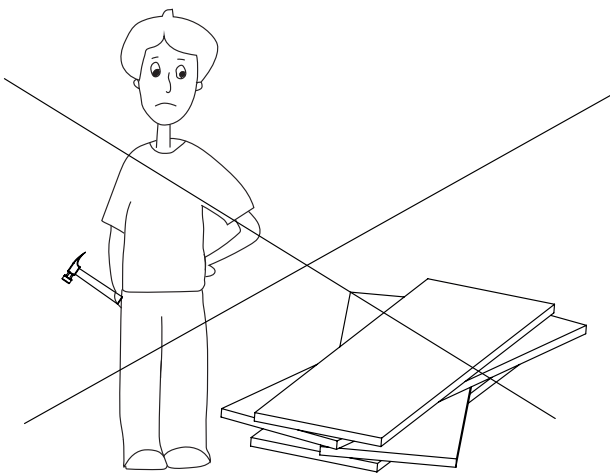
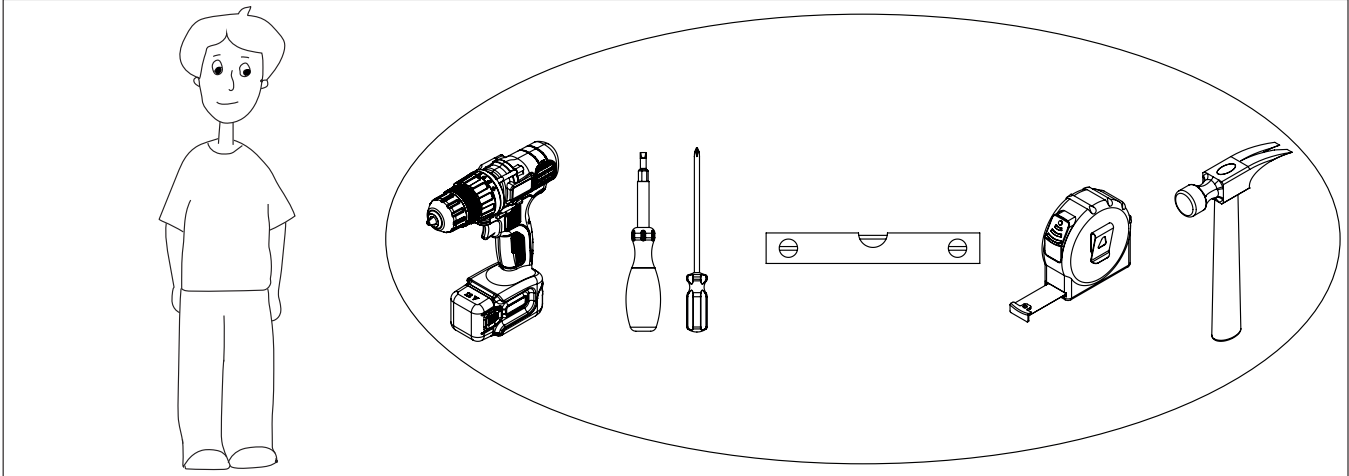


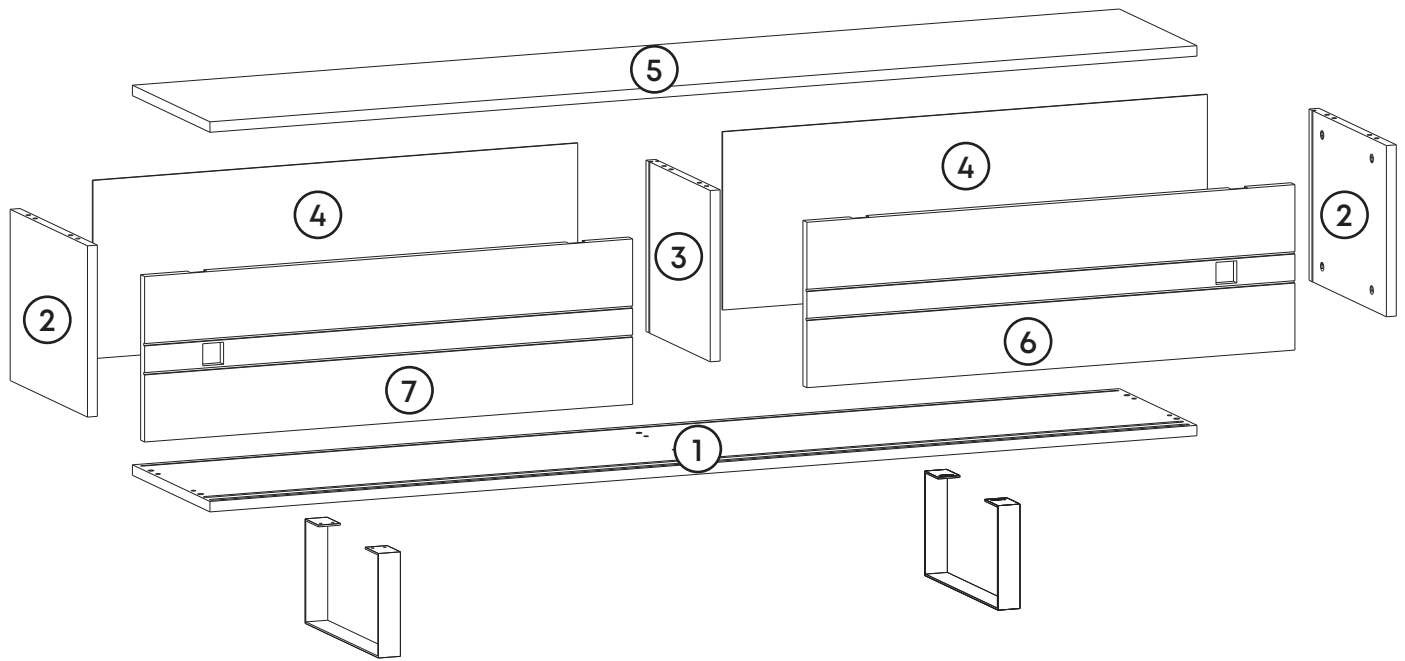
Assembly guide

Prepare To Start

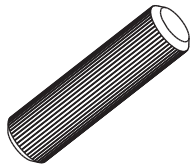
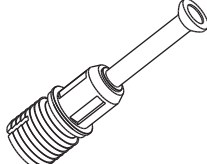


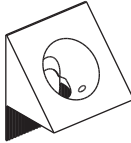
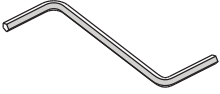
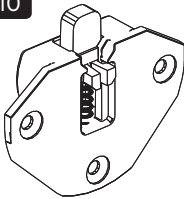
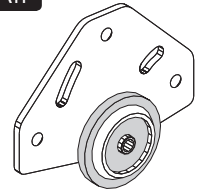
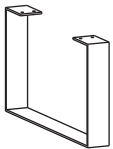



Components

Part1	1x
Part2	2x
Part3	1x
Part4	2x
Part5	1x
Part6	1x
Part7	2x
Total	9x

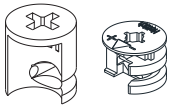


Accessory Parts

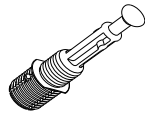
A01  Dowel Q8 12x	A02  Minifix Screw 12x	A03  Minifix Head 12x	A06  Pvc Sticker 12x	A08  Nail 24x	A09  Allen 1x
A10  Slide Mechanism 4x	A11  Slide Mechanism 4x	A15  Leg 2x	A17  3,5 x 16 Screw 64x		

How to instal Components

*Minifix is the main connection component used in products. Before starting, please check the below figures



MINIFIX
HEAD

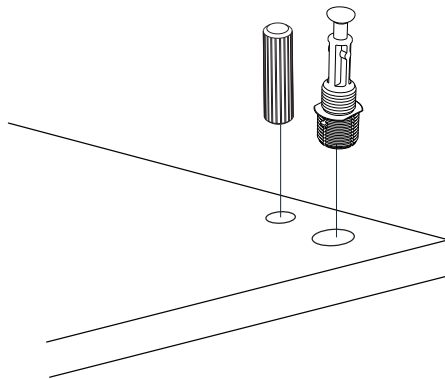


MINIFIX
SCREW

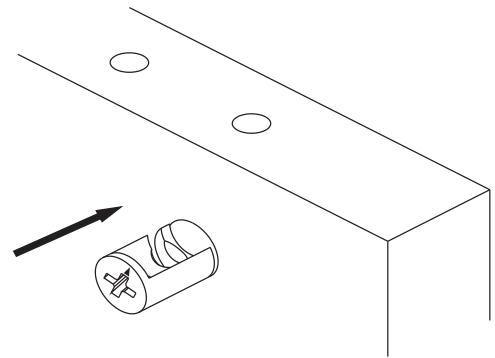


DOWEL

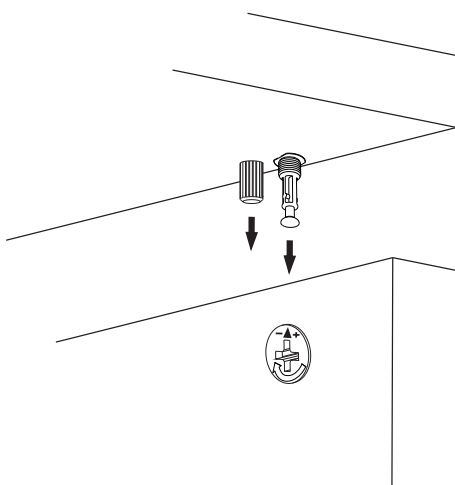
If the dowel is not required during the installation phase, it is not included in the package.



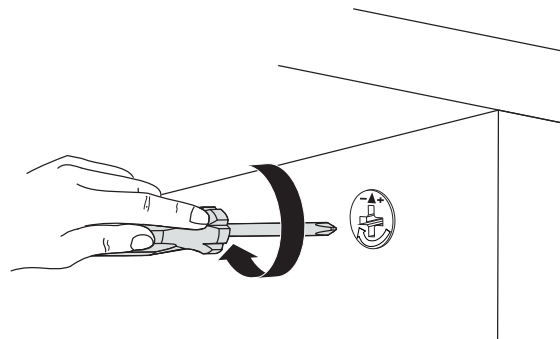
*Please notice that there is an small arrow on A03 (minifix head). This arrow should show the direction of upper hole.



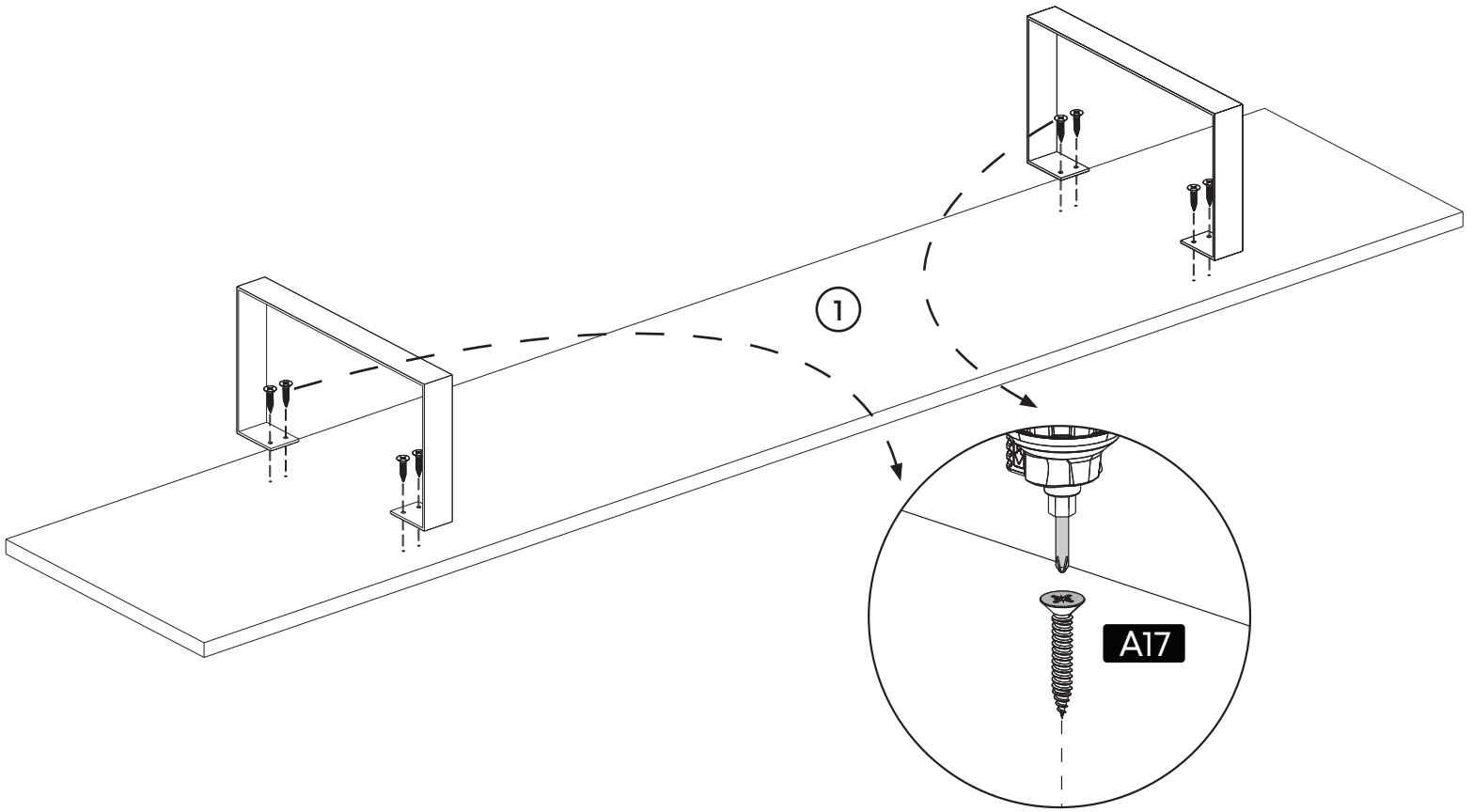
*After attaching two pieces please turn the A03 (minifix head) clockwise direction with the help of a screwdriver.



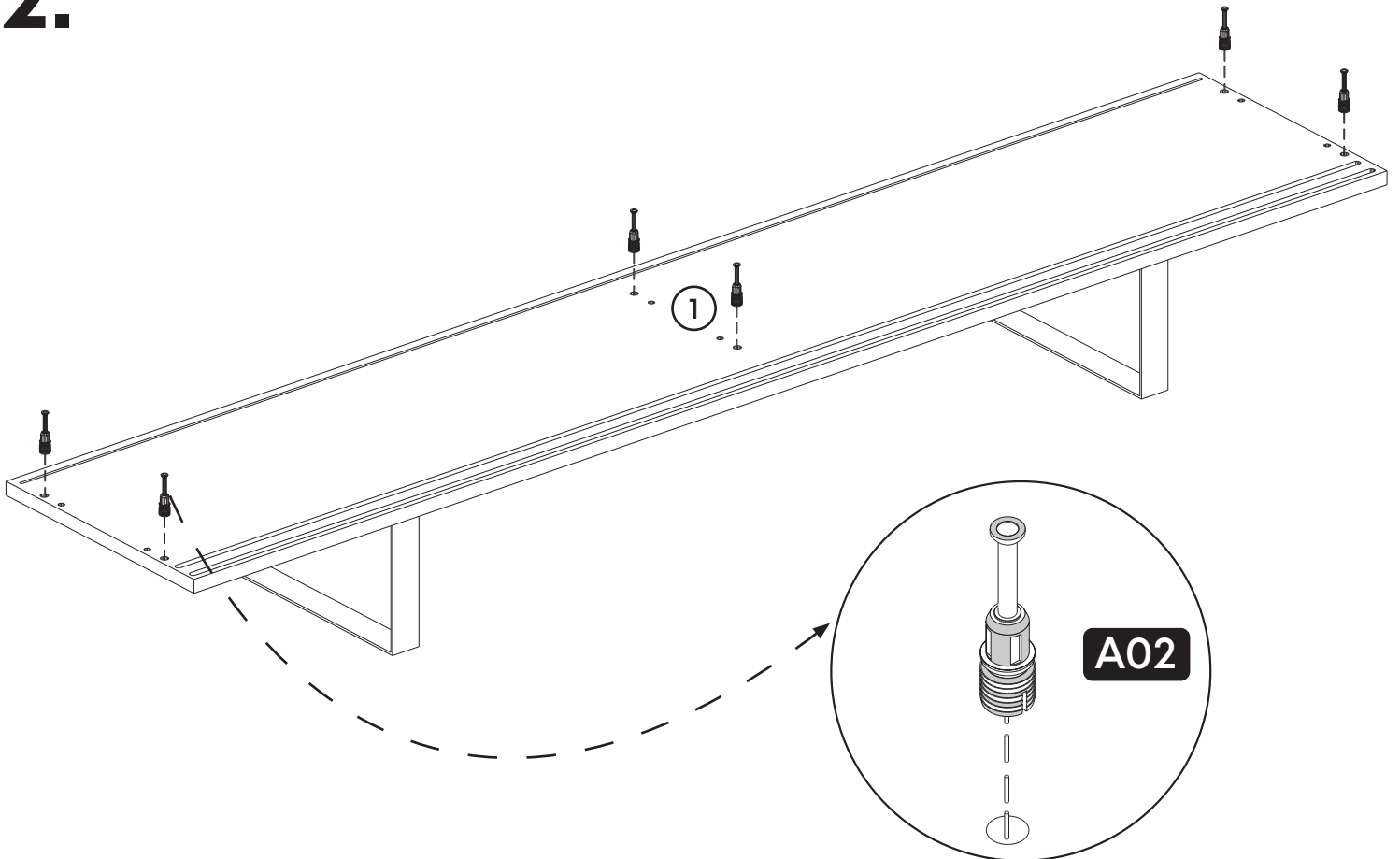
*Please do not over screw the minifix head since it may be broken if too much power is imposed. Just make sure that it is screwed to the direction "+" do not go any further.



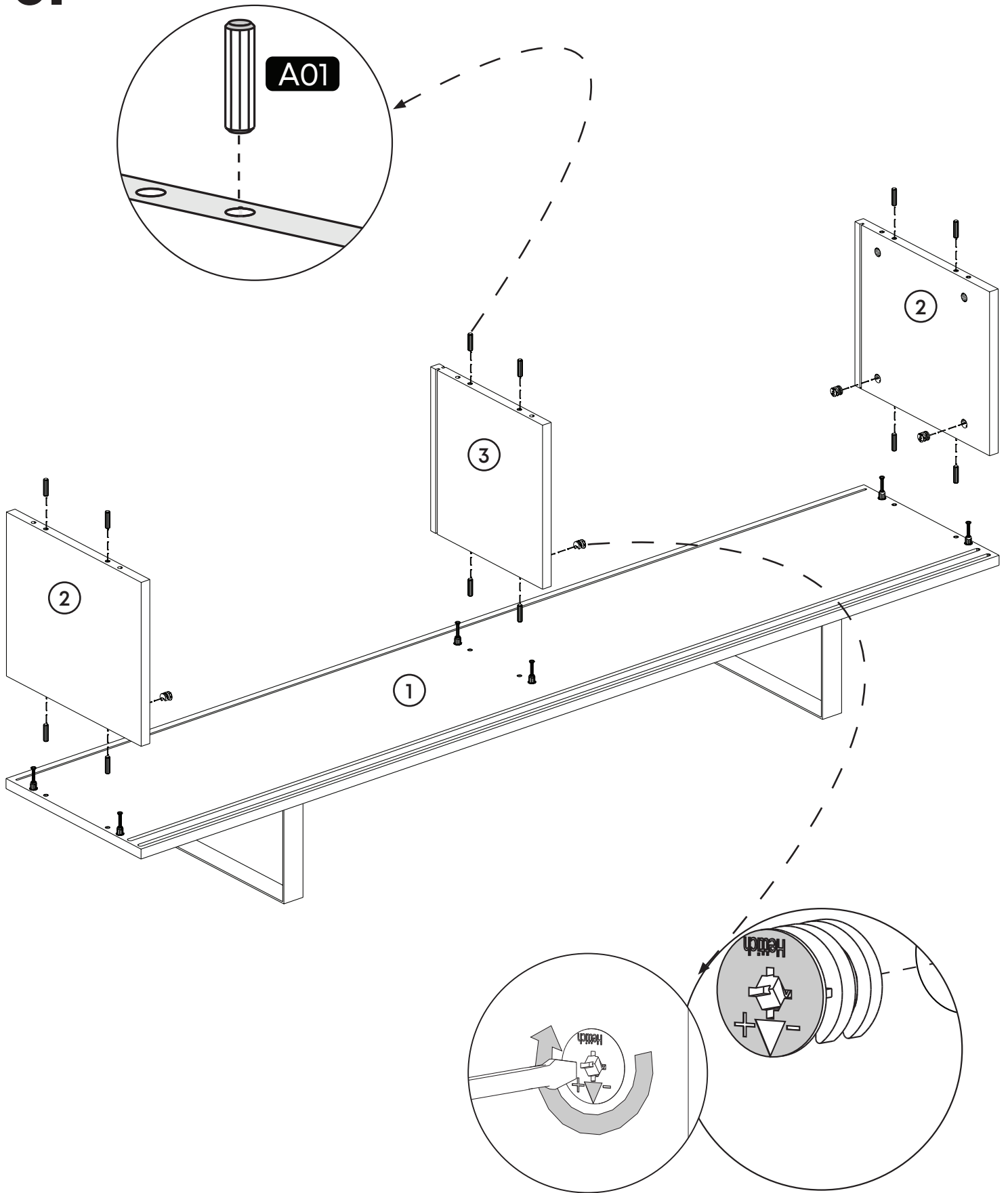
1.



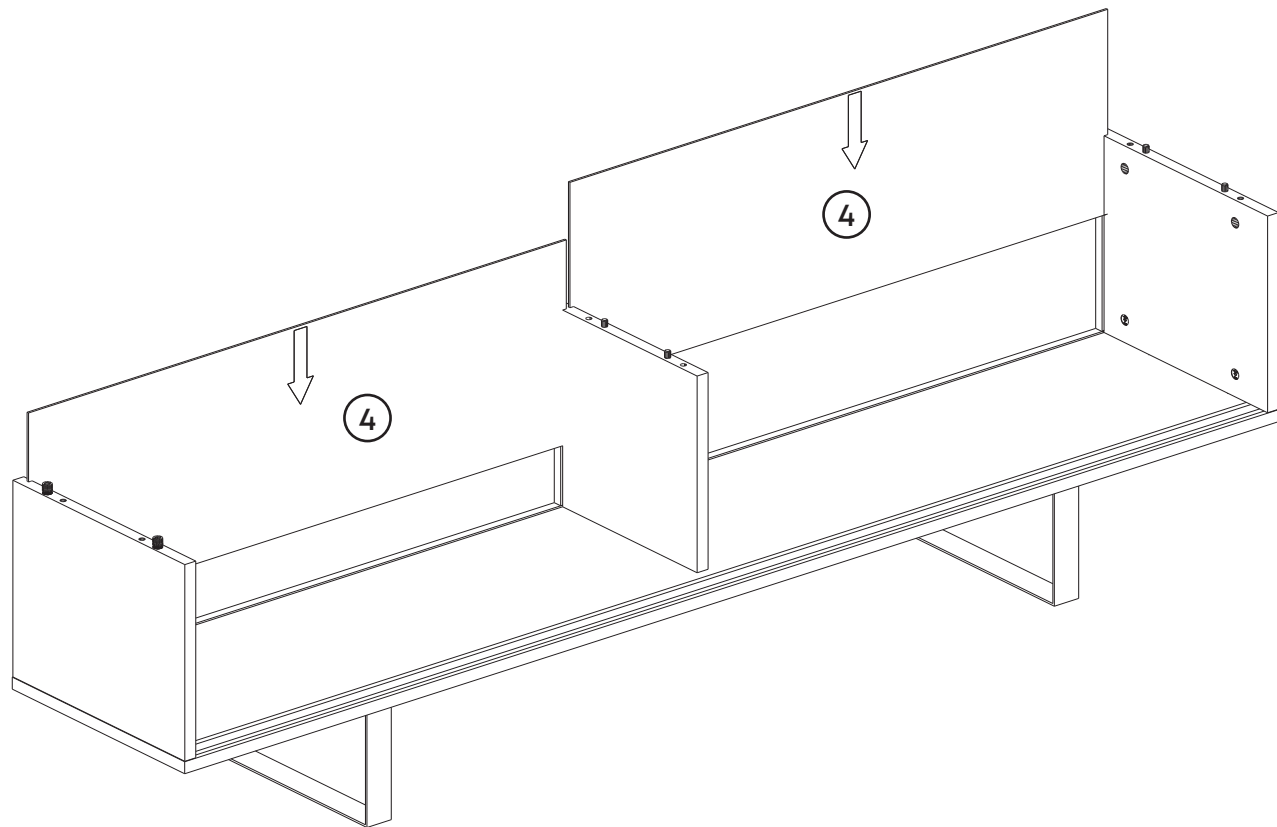
2.



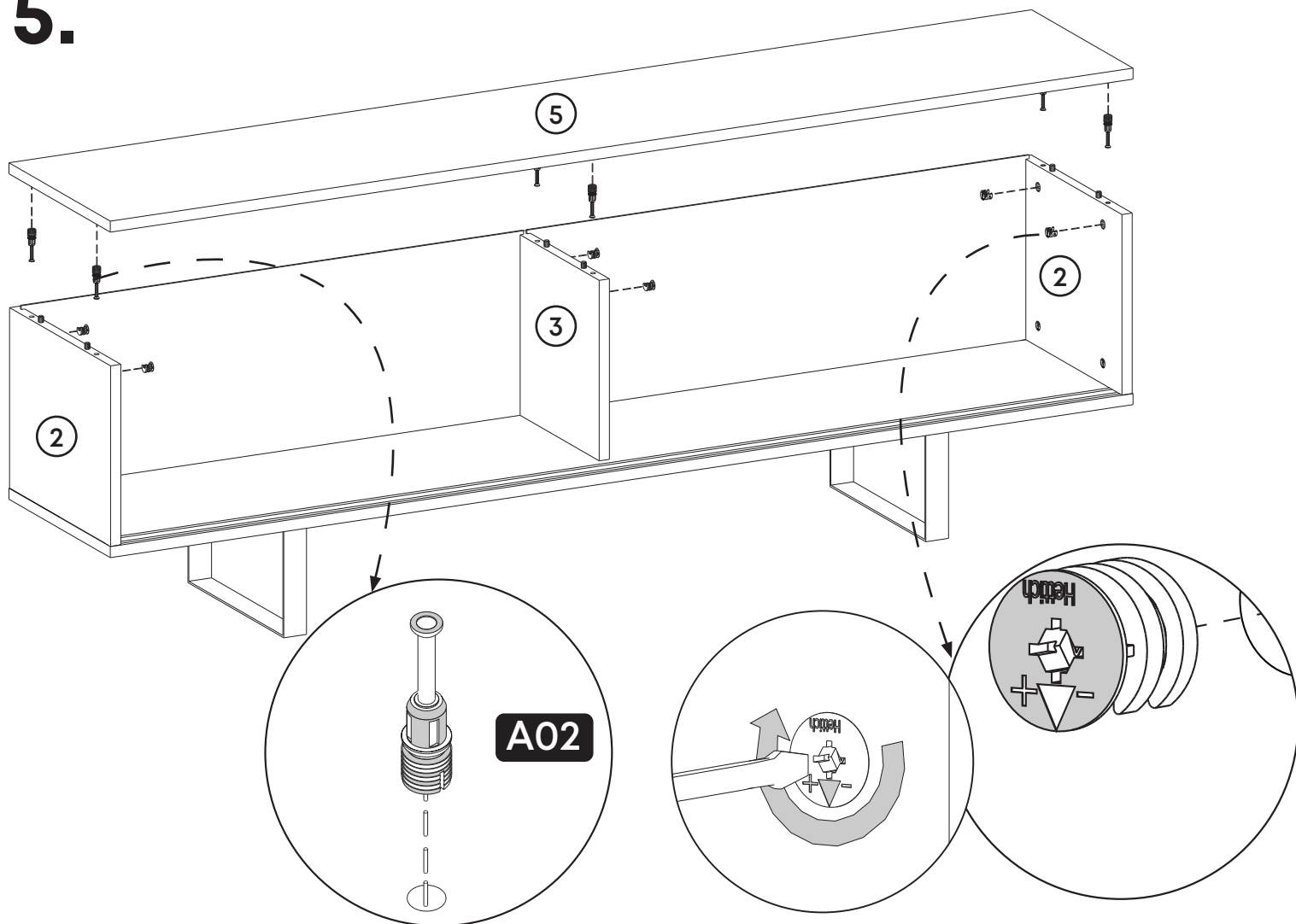
3.



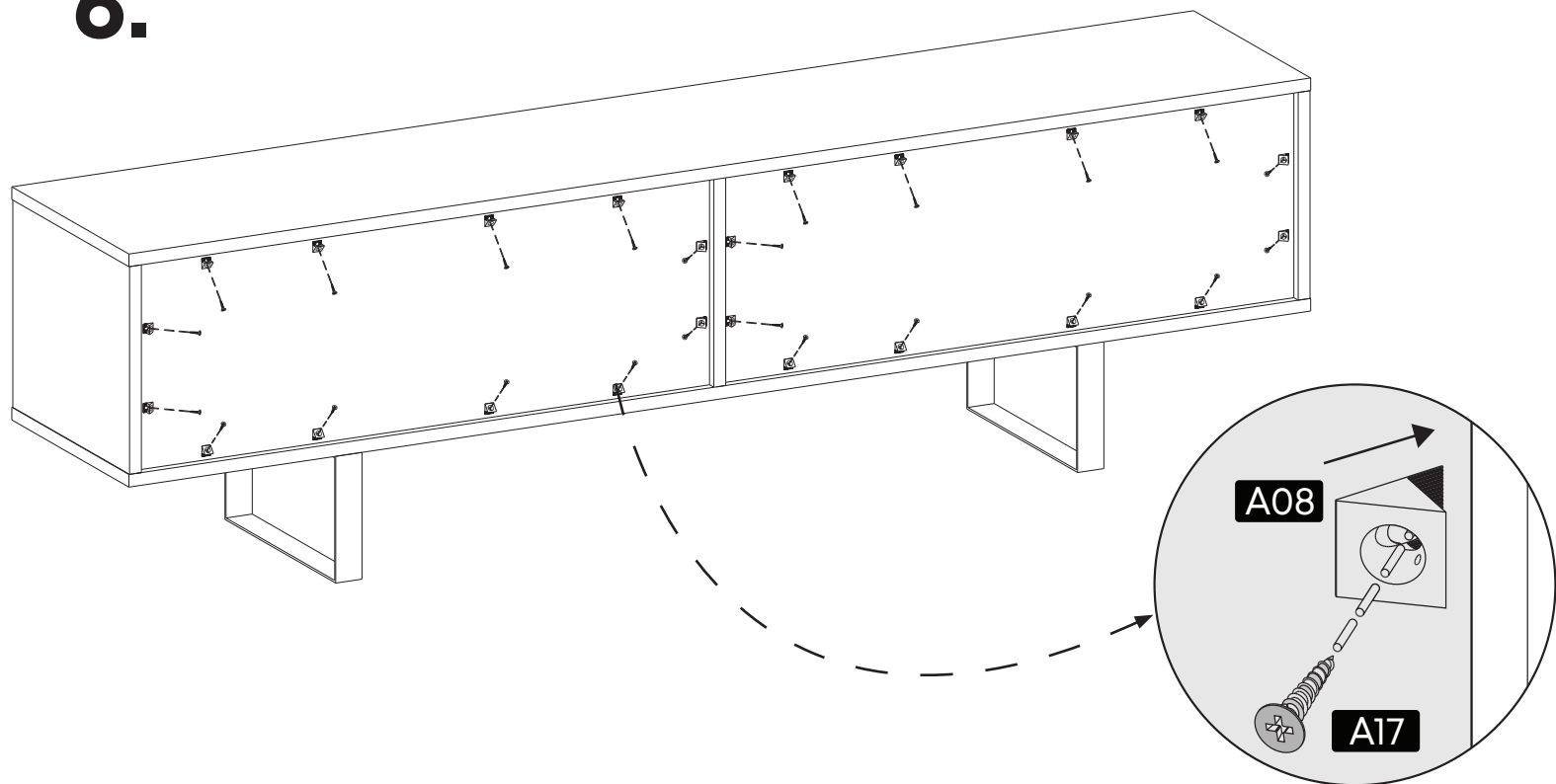
4.



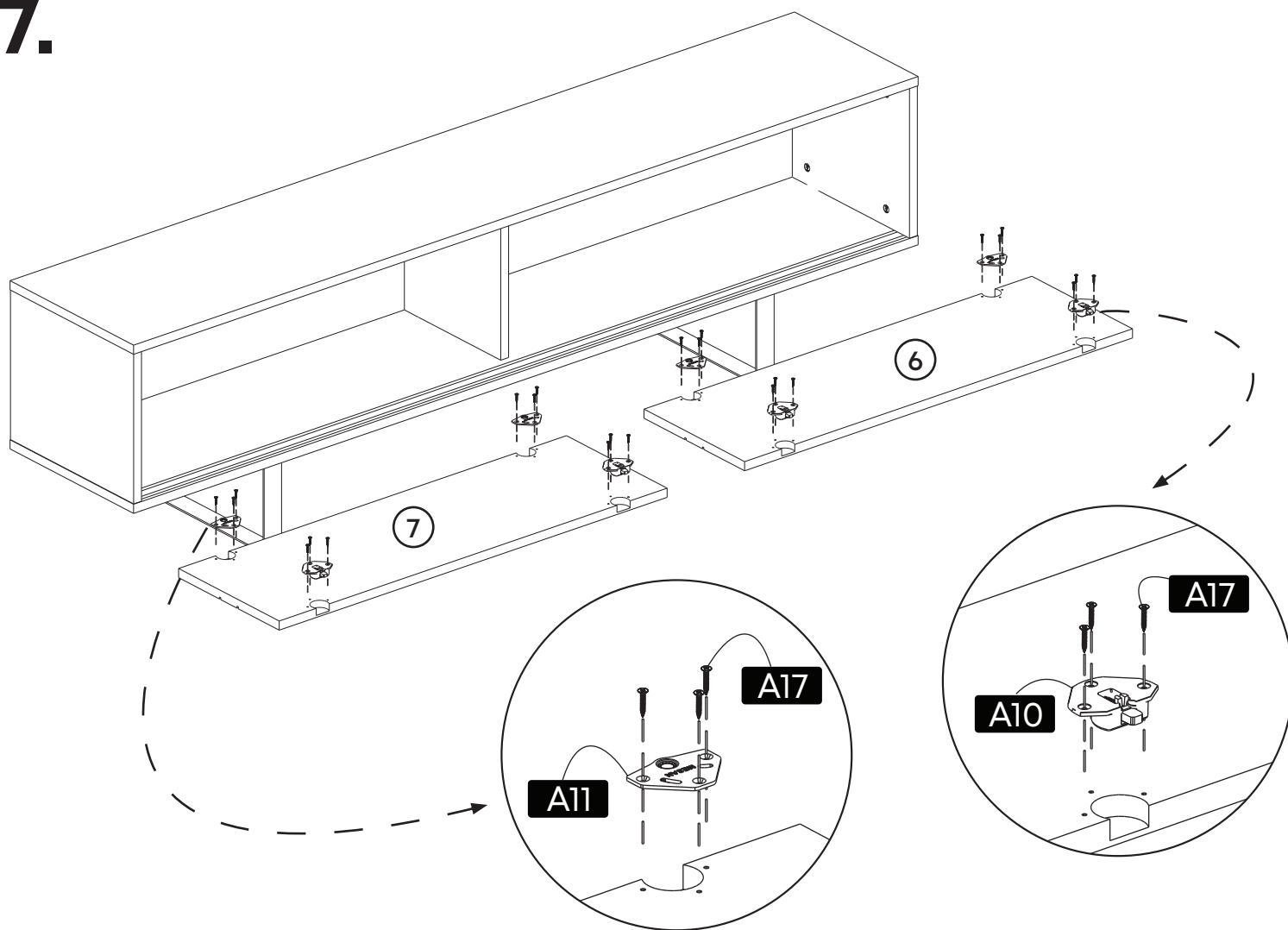
5.



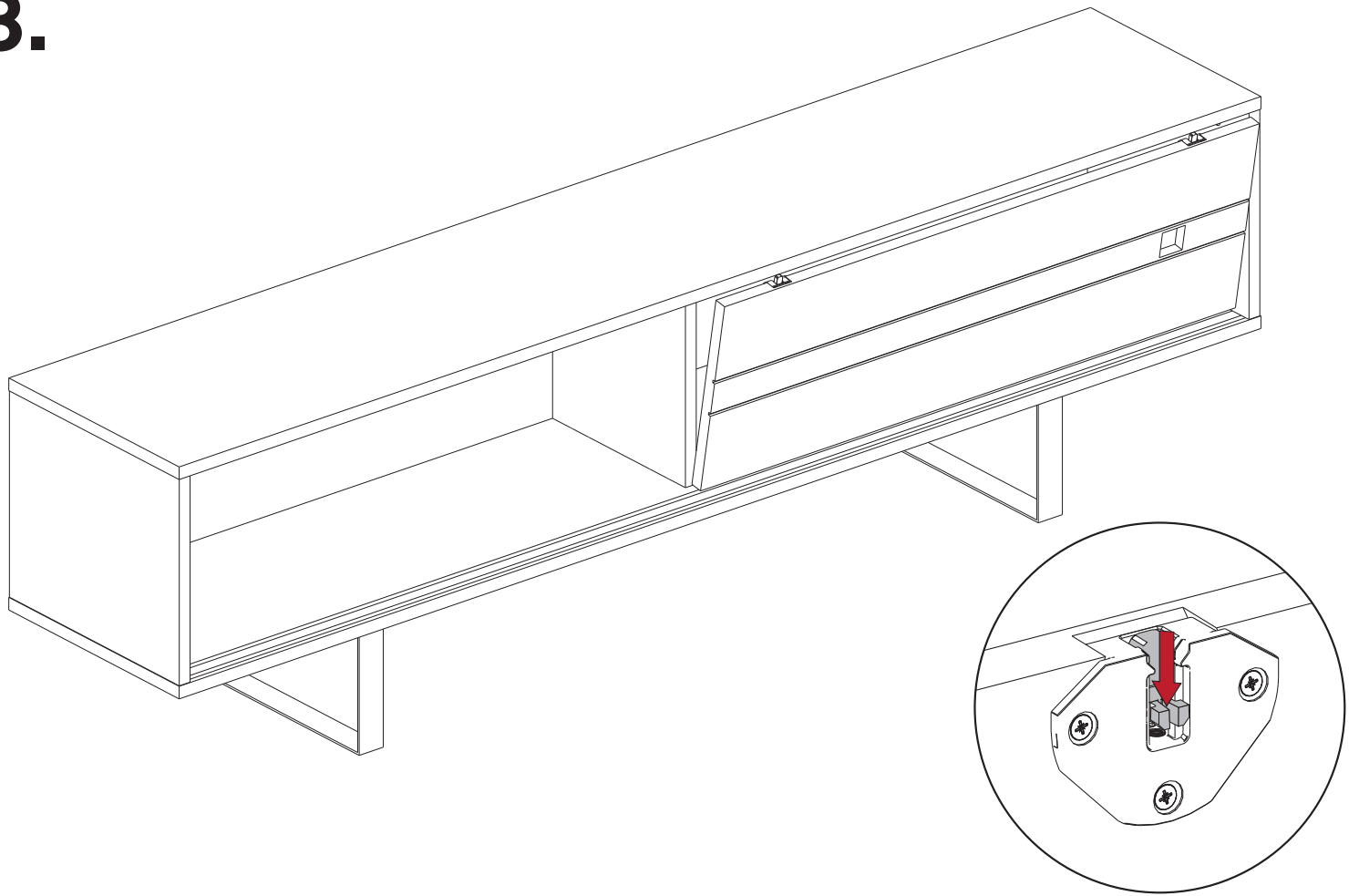
6.



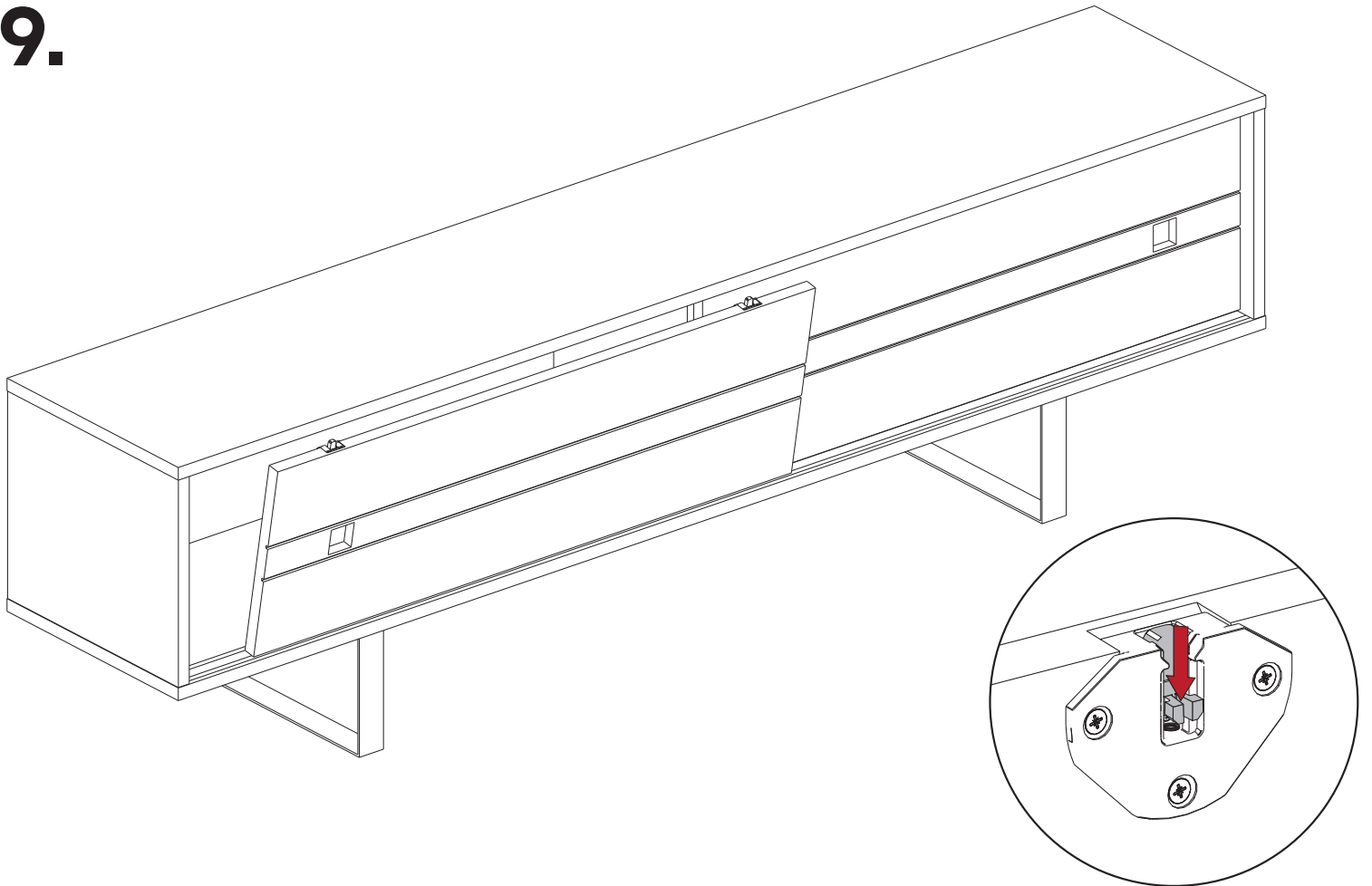
7.



8.



9.



10.

