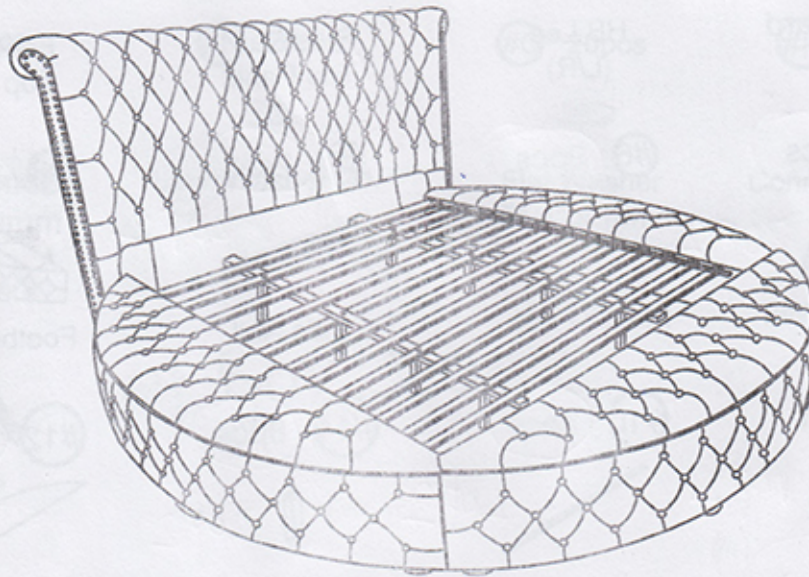
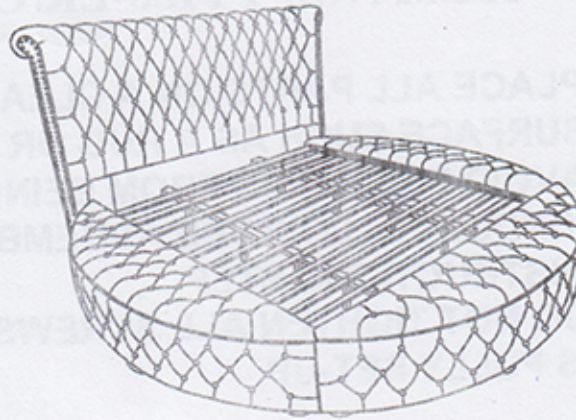


# Assembly Instruction

**IMPORTANT:** PLACE ALL PARTS ON A CLEAN AND SMOOTH SURFACE SUCH AS A RUG OR CARPETTO AVOID THE PARTS FROM BEING SCRATCHED KINDLY FOLLOW THE ADDEMBLY INSTRUCTIONS STEP DO NOT TIGHTEN ALL SCREWS UNTIL THE BED IS FULLY SET-UP



# BED



## PARTS

#1 1pc



Headboard

#2 2pcs



HB Leg  
(L/R)

#3 2pcs



Side Rail  
Top Panel

#4 1pc



Footboard  
Top Panel

#5 2pcs



Side Rail With  
Fabric

#6 9pcs



Plastic Feet

#7 2set



Side Rail

#8 1pc



Footboard

#9 1set



Slat (13pcs)

#10 2pcs



Support Rail

#11 8pcs



Support Leg

#12 2pcs



Side Rail Bottom  
Panel

HARDWARE

#A 12pcs



Bolt  
Ø5/16" x 1-3/4"

#B 8pcs



Threaded Stud  
Ø5/16" x 3-1/4"

#C 12pcs



Bolt  
Ø5/16" x 3/4"

#D 20pcs



Bolt  
Ø1/4" x 5/8"

#E 32pcs



Lock Washer  
Ø5/16"

#F 16pcs



Flat Washer  
Ø5/16" x 19mm

#G 16pcs



Flat Washer  
Ø5/16" x 22mm

#H 44pcs



Screw  
#8 x 38mm

#I 1pc



Allen Wrench 5mm

#J 1pc



Allen Wrench 4mm

#K 8pcs



Hex Nut Ø5/16"

#L 1pc



Wrench 12mm

#M 2pcs



Wood tenon  
Ø10x 40mm

#N 20pcs



Lock Washer Ø1/4"

#O 20pcs



Flat Washer  
Ø1/4" x 16mm

#P 2set




























Connection Strap

#Q 2sets

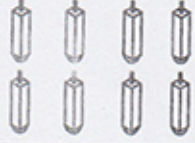





Hinges

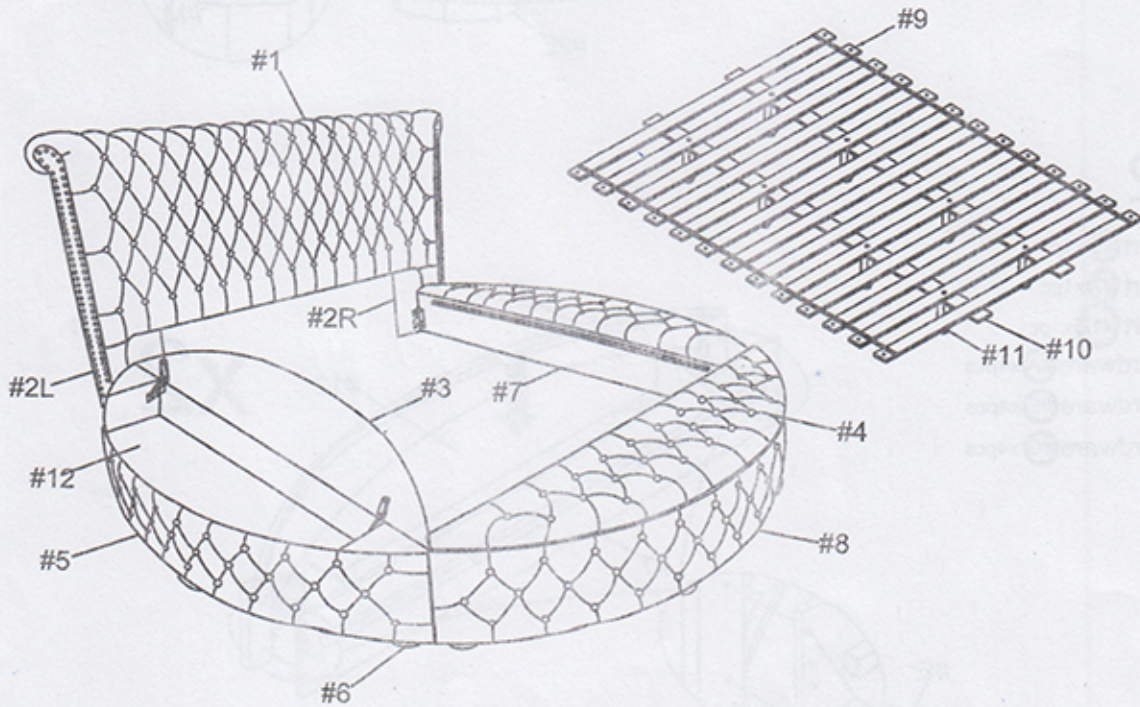
is packed in 2 cases

Carton	Disignation	Part	Hardware	
YY138-EK/CK -1	Headboard	#1		
	Side Rail Top Panel	#3		
	Footboard Top Panel	#4		
	Slat (13pcs)	#9		
	Side Rail Botom Panel	#12		
YY138-EK/CK -2	Side Rail With Fabric	#5		 #A x 12pcs  #B x 8pcs  #C x 12pcs  #D x 20pcs  #E x 32pcs  #F x 16pcs  #G x 16pcs  #H x 44pcs  #I x 1pc  #J x 1pc  #K x 8pcs  #L x 1pc  #M x 2pcs  #N x 20pcs  #O x 20pcs
	Plastic Feet	#6		
	Side Rail	#7		
	Footboard	#8		
	Support Rail	#10		

is packed in 2 cases

Carton	Disignation	Part	Hardware
YY138-EK/CK -3	Support Leg	#11 	 #P x 2sets  #O x 2set
	HB Leg	#12 	

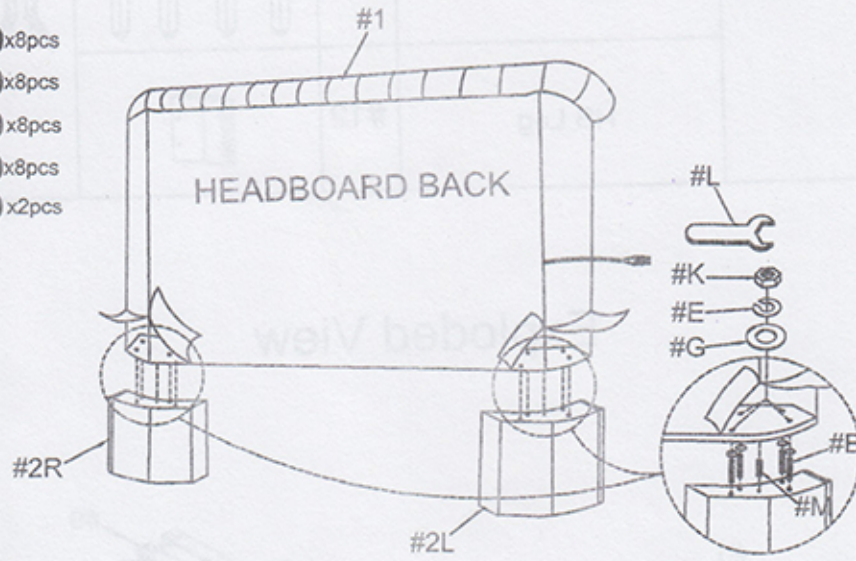
Exploded View



# ASSEMBLY INSTRUCTIONS

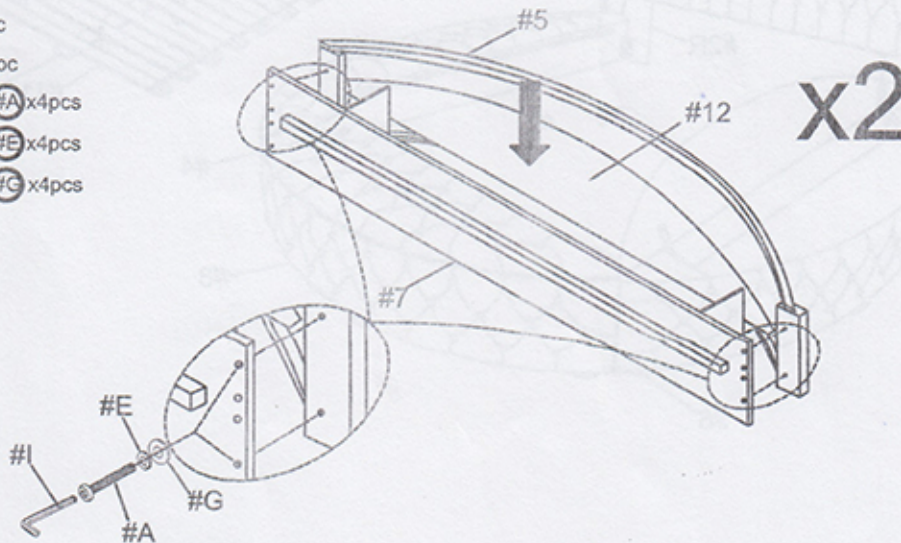
1

- Part #1 x1pc
- Part #2 x2pcs
- Hardware #B x8pcs
- Hardware #E x8pcs
- Hardware #G x8pcs
- Hardware #K x8pcs
- Hardware #M x2pcs



2

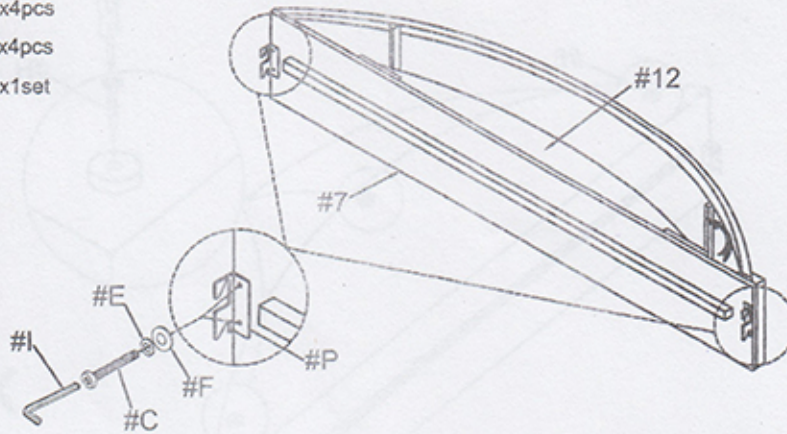
- Part #5 x1pc
- Part #7 x1pc
- Part #12 x1pc
- Hardware #A x4pcs
- Hardware #E x4pcs
- Hardware #G x4pcs



# ASSEMBLY INSTRUCTIONS

## 3

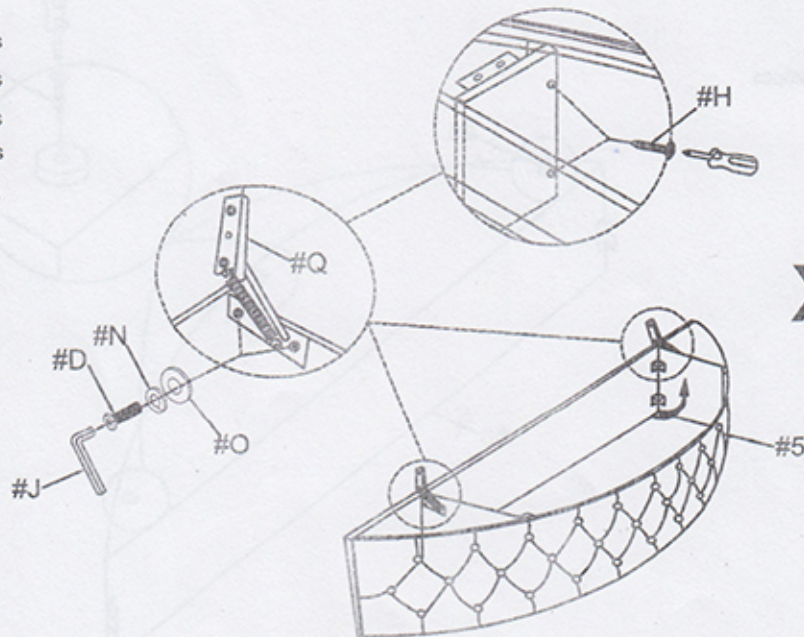
- Hardware #C x4pcs
- Hardware #E x4pcs
- Hardware #F x4pcs
- Hardware #P x1set



x2

## 4

- Hardware #D x4pcs
- Hardware #I x4pcs
- Hardware #N x4pcs
- Hardware #C x4pcs
- Hardware #C x1set

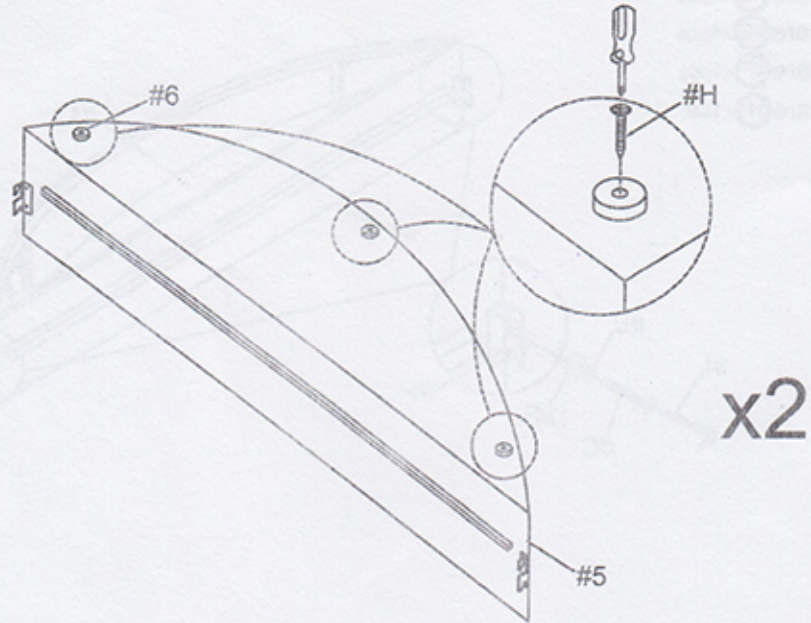


x2

## ASSEMBLY INSTRUCTIONS

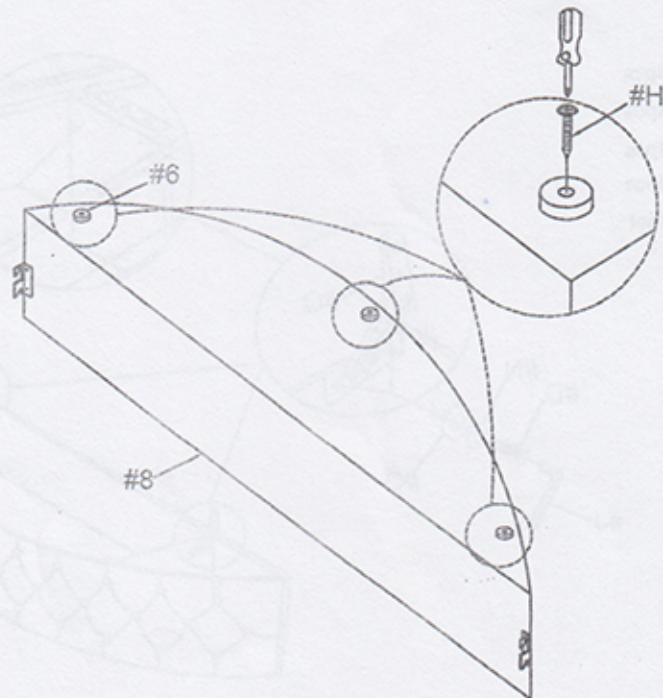
5

Part #6 x3pcs  
Hardware #H x3pcs



6

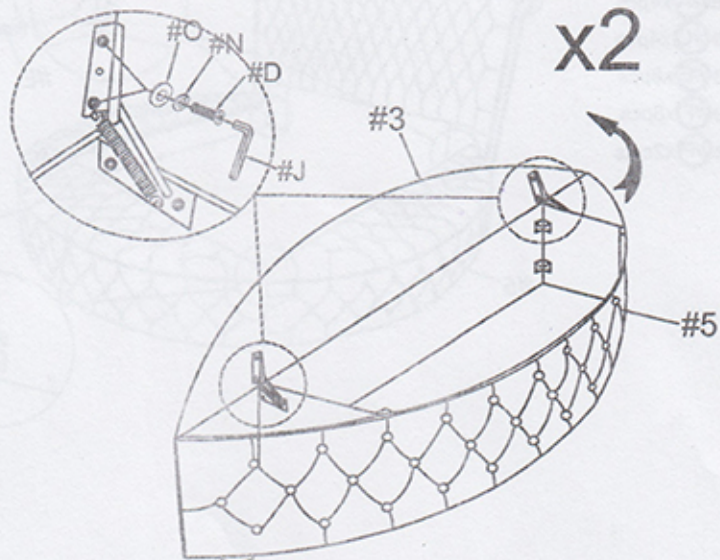
Part #8 x1pc  
Part #6 x3pcs  
Hardware #H x3pcs



## ASSEMBLY INSTRUCTIONS

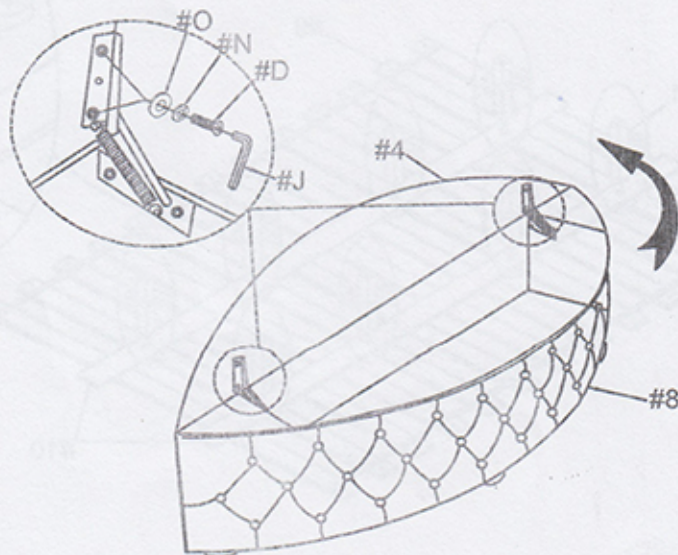
7

Part #3 x1pc  
Hardware #D x4pcs  
Hardware #N x4pcs  
Hardware #C x4pcs



8

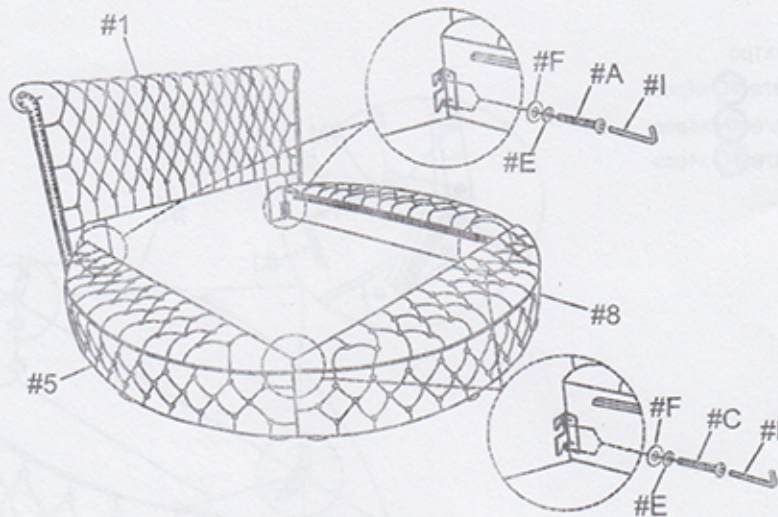
Part #4 x1pc  
Hardware #D x4pcs  
Hardware #N x4pcs  
Hardware #C x4pcs



## ASSEMBLY INSTRUCTIONS

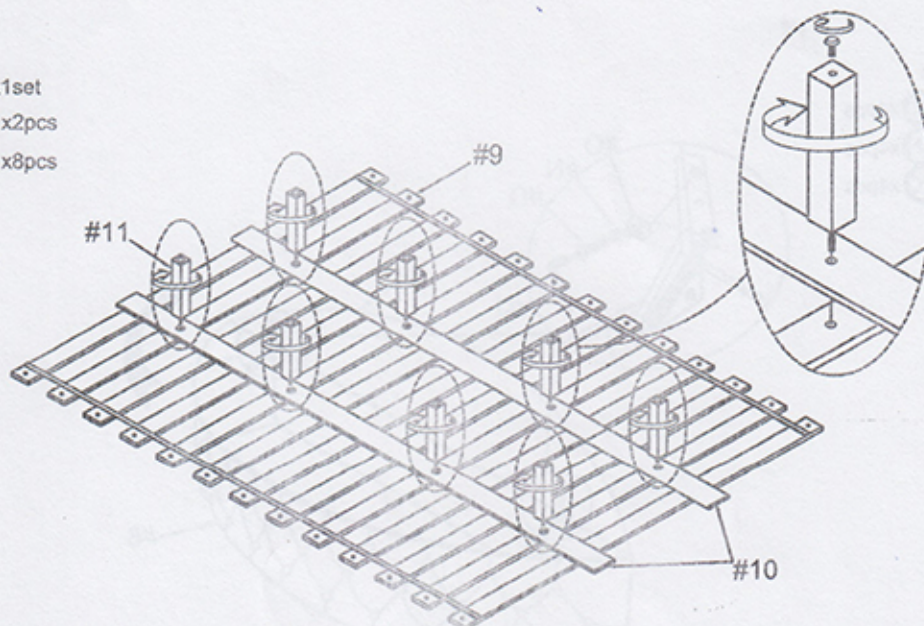
9

- Part #1 x1pc
- Hardware #A x4pcs
- Hardware #C x4pcs
- Hardware #E x8pcs
- Hardware #F x8pcs
- Hardware #I x2sets



10

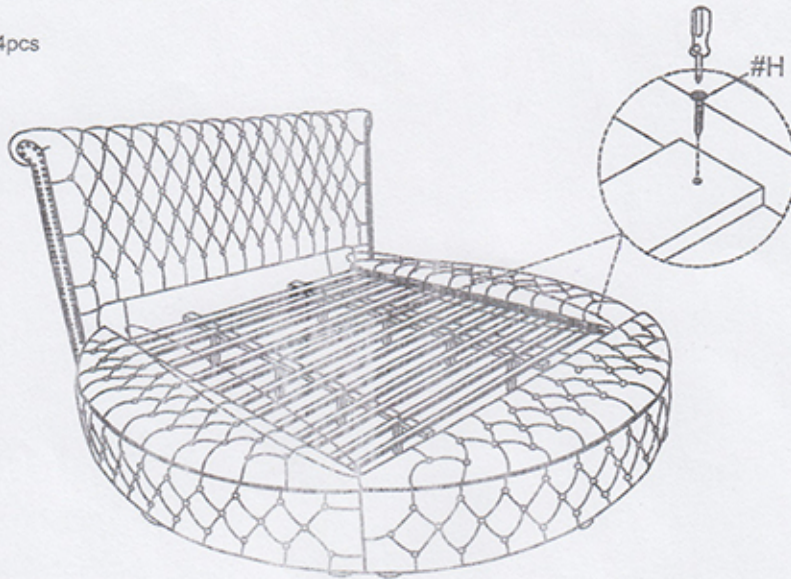
- Part #9 x1set
- Part #10 x2pcs
- Part #11 x8pcs



## ASSEMBLY INSTRUCTIONS

11

Hardware #H x24pcs



12

Hardware #F x 2pcs

