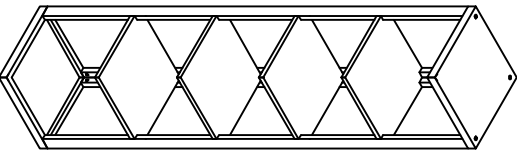
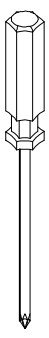


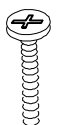

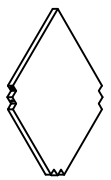
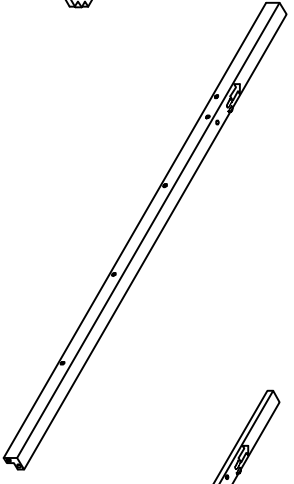
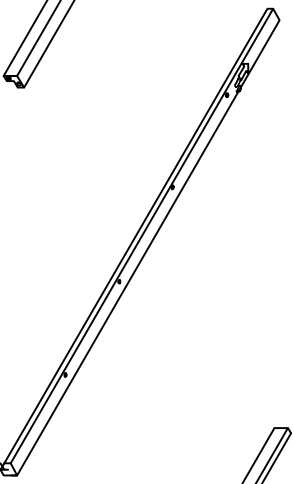
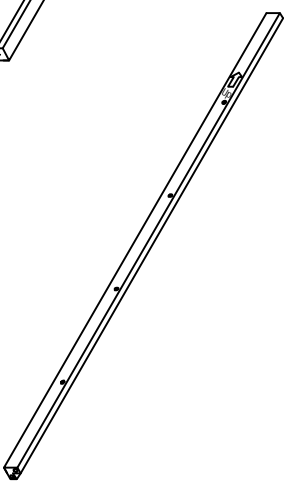
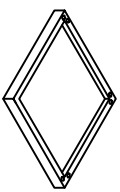
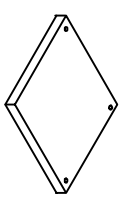
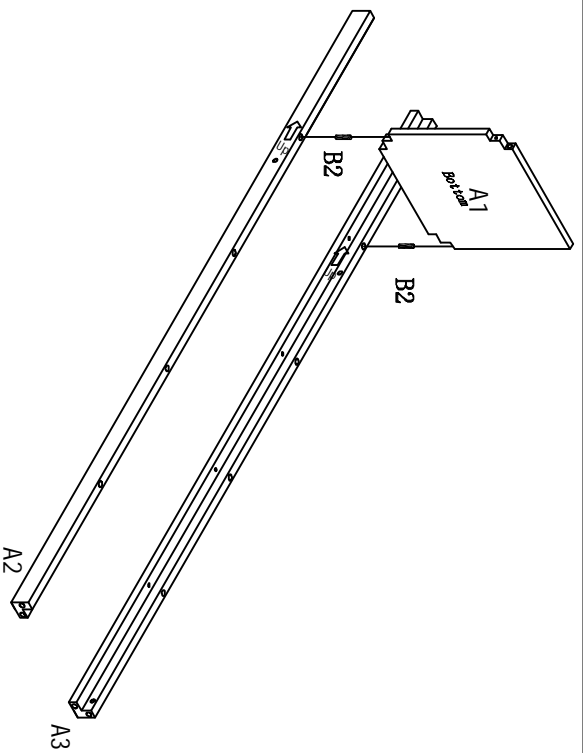
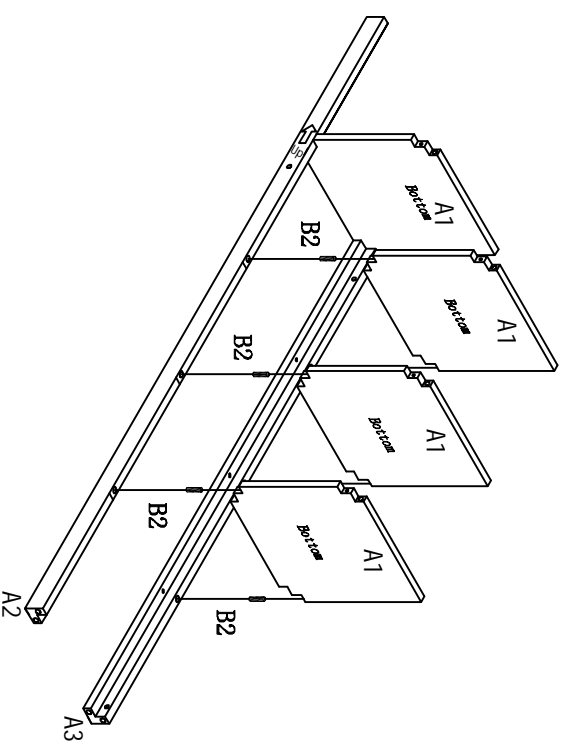


Assembly Instructions	Tools Required	Hardware Provided
<p style="text-align: center;"><b>Style#</b></p>  <p style="text-align: center;"><b>It is recommended that this item should be assembled by two adults.</b></p>	<p style="text-align: center;"> Phillips screwdriver</p>	<p style="text-align: center;">  B1 12PCS         </p> <p style="text-align: center;">  B2 18PCS         </p> <p style="text-align: center;">  B3 6SETS         </p> <p style="text-align: center;">  B4 2SETS         </p>
Furniture Parts		
 <p>A1 4PCS Shelf</p>  <p>A2 1PC Corner Leg</p>	 <p>A3 1PC Right Leg</p>  <p>A4 1PC Left Leg</p>	 <p>A5 1PC Top Panel</p>  <p>A6 1PC Bottom Panel</p>

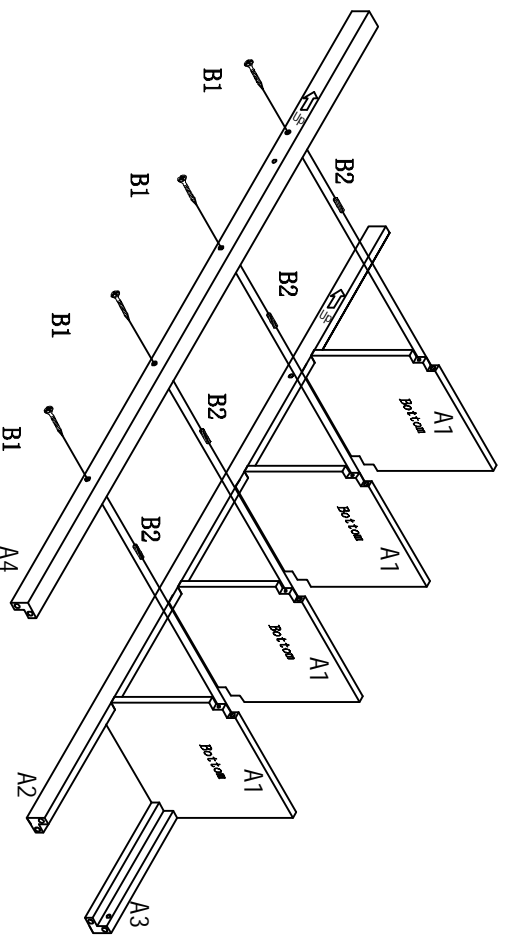
Step 1



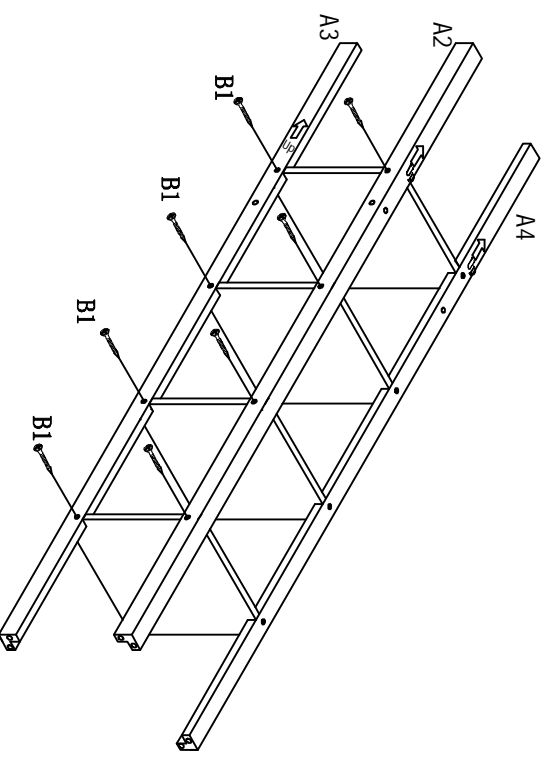
Step 2



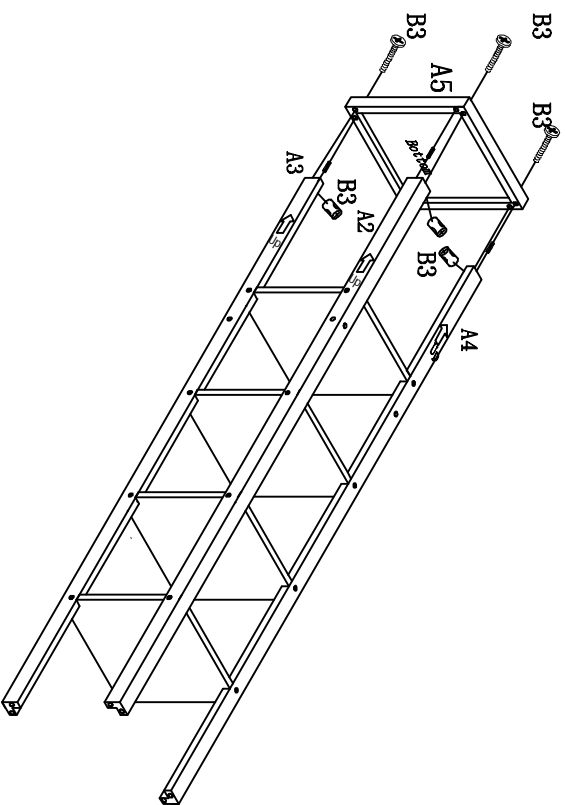
Step 3



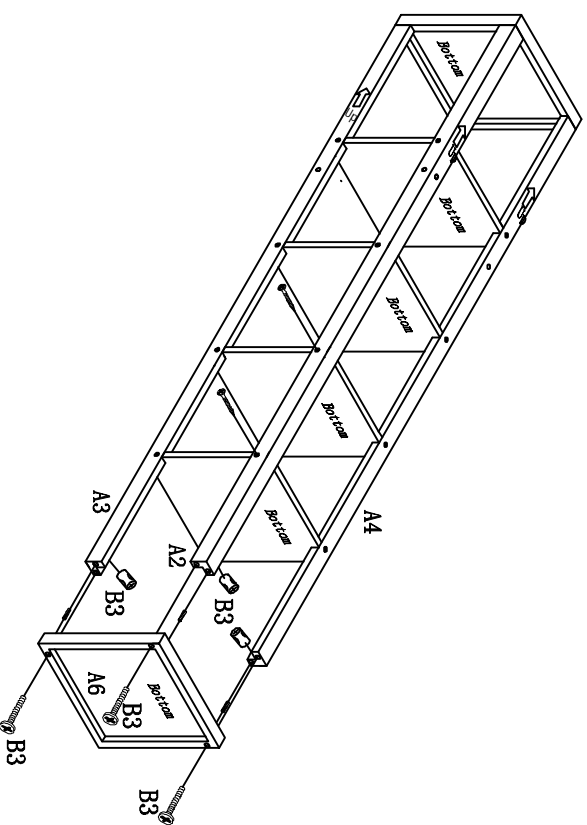
Step 4



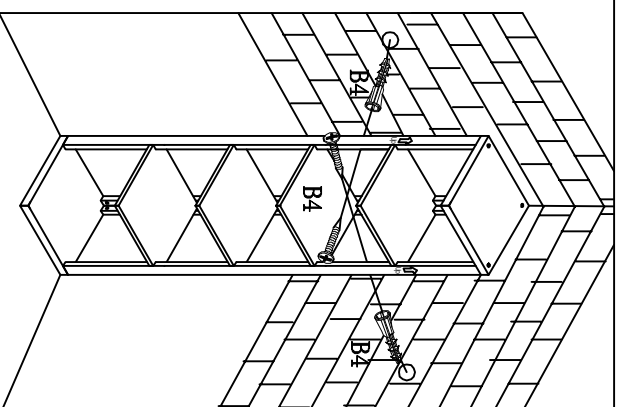
### Step 5



### Step 6

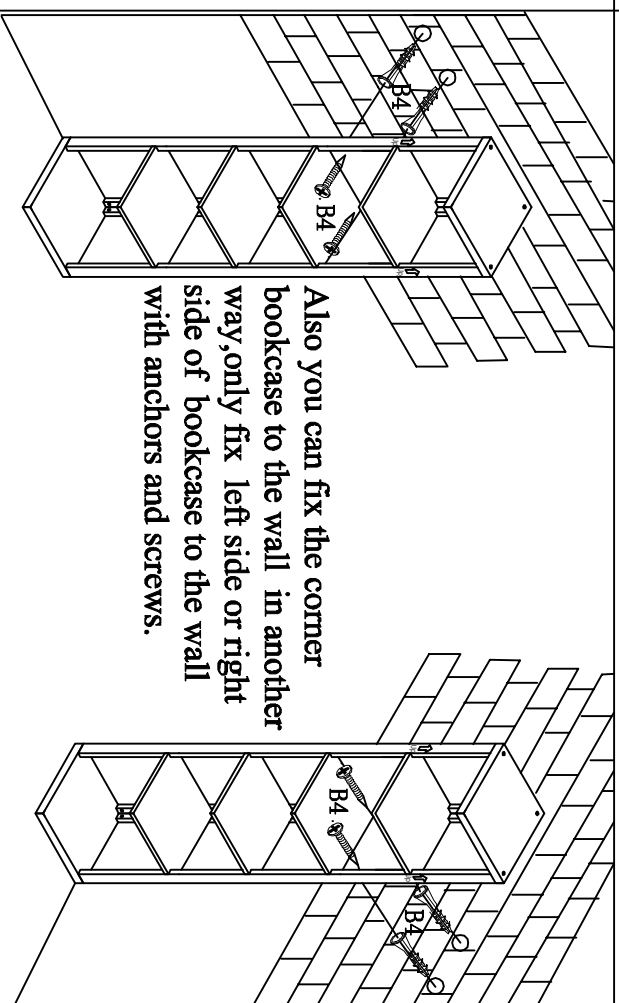


### Step 7



For you safety, please fix the corner bookcase to the wall with anchors and screws.

### Step 8



Also you can fix the corner bookcase to the wall in another way, only fix left side or right side of bookcase to the wall with anchors and screws.