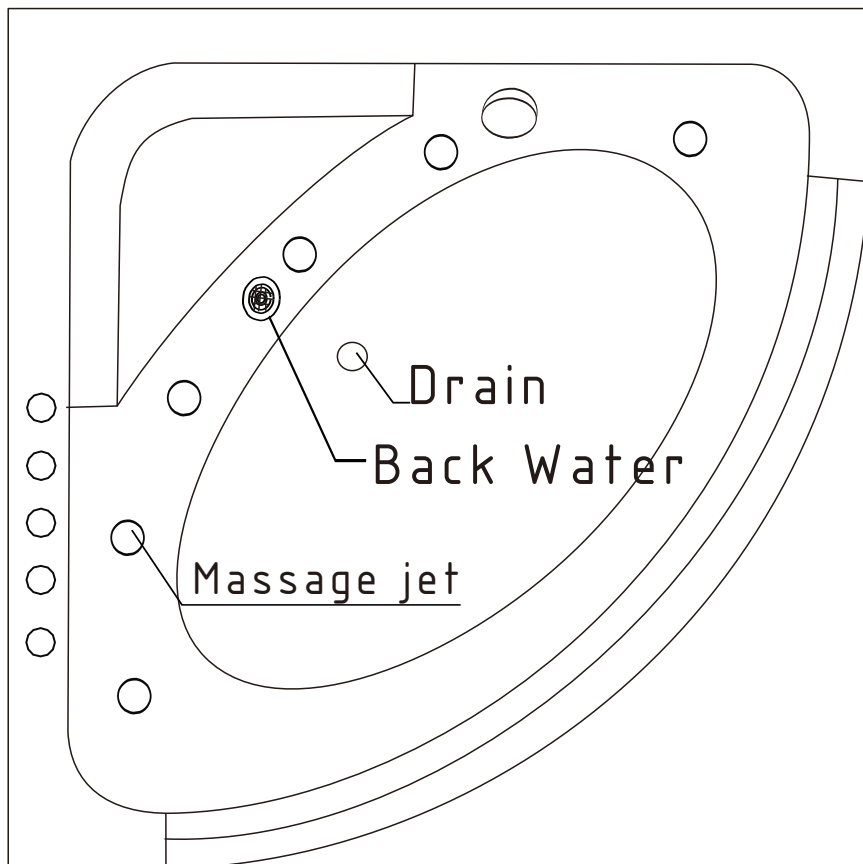
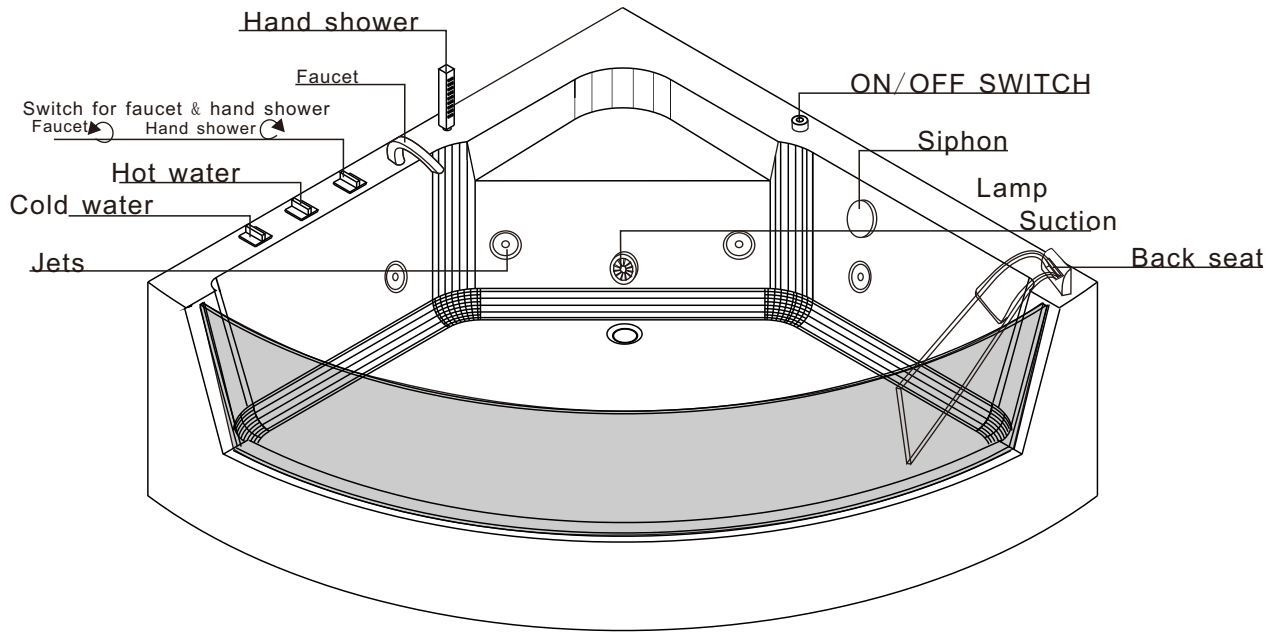
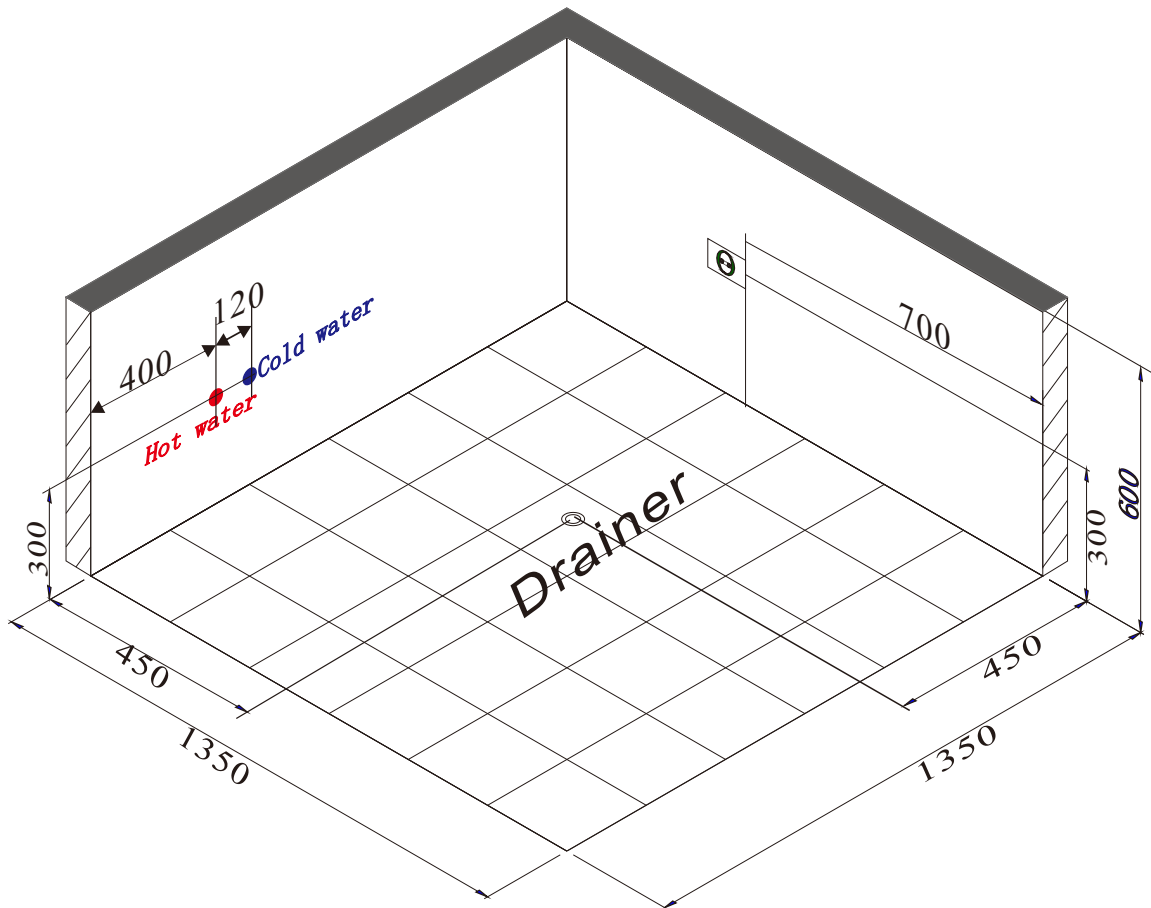

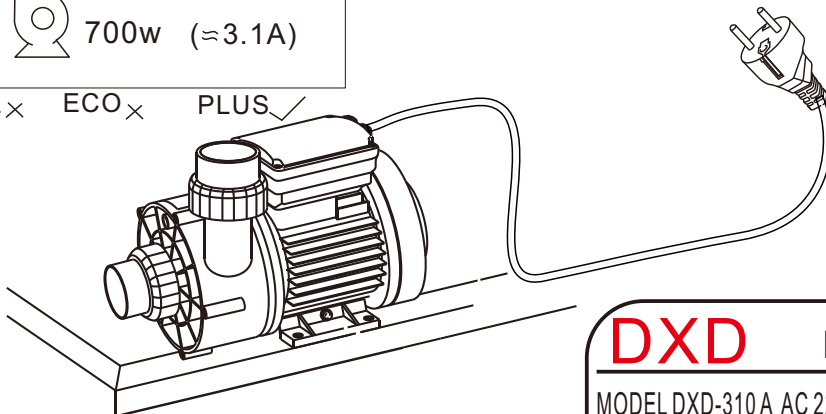


1350x1350x590 mm





+  700w ($\approx 3.1A$)
 VITAL ECO PLUS



DXD PUMP

MODEL DXD-310 A AC 220-240V 50Hz 700W CLASS B IPX5
 MAX WATER TEMPERATURE 50C 15u F/450V Hmin 1m

○ BLUE




○ BROWN


○ TEGREEN

○ BLUE

○ THERMAL PROTECTOR

○ WHITE



**Ground properly!
Do Not Start Pump
Without Water!**

