

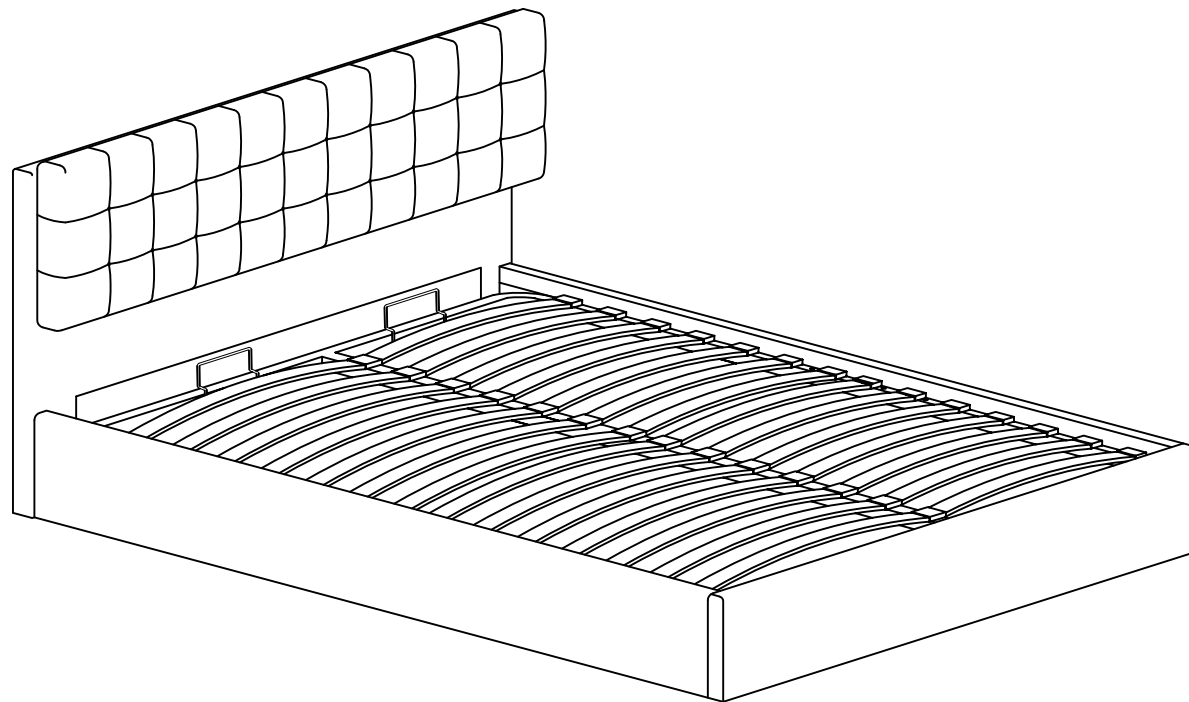
MOE'S

home collection

ASSEMBLY INSTRUCTIONS.

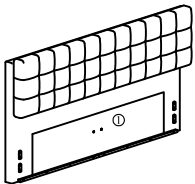
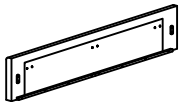
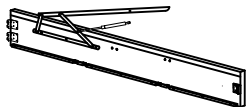
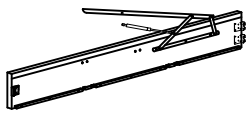


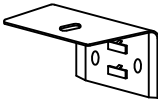

SEBASTION QUEEN STORAGE BED GREEN

RN-1155-27-0



THANK YOU FOR YOUR PURCHASE!

PARTS AND HARDWARE.

| | |
|---|--|
|  <p>① Headboard=1pc</p> |  <p>② Footboard=1pc</p> |
|  <p>③ Right Side Rail=1pc</p> |  <p>④ Left Side Rail=1pc</p> |
|  <p>(M5) ⑤ Allen Key=1pc</p> |  <p>⑥ Bolts(M8*25mm) =12pcs</p> |
|  <p>⑦ Brackets=6pcs</p> |  <p>⑧ Stick Felts=6pcs</p> |

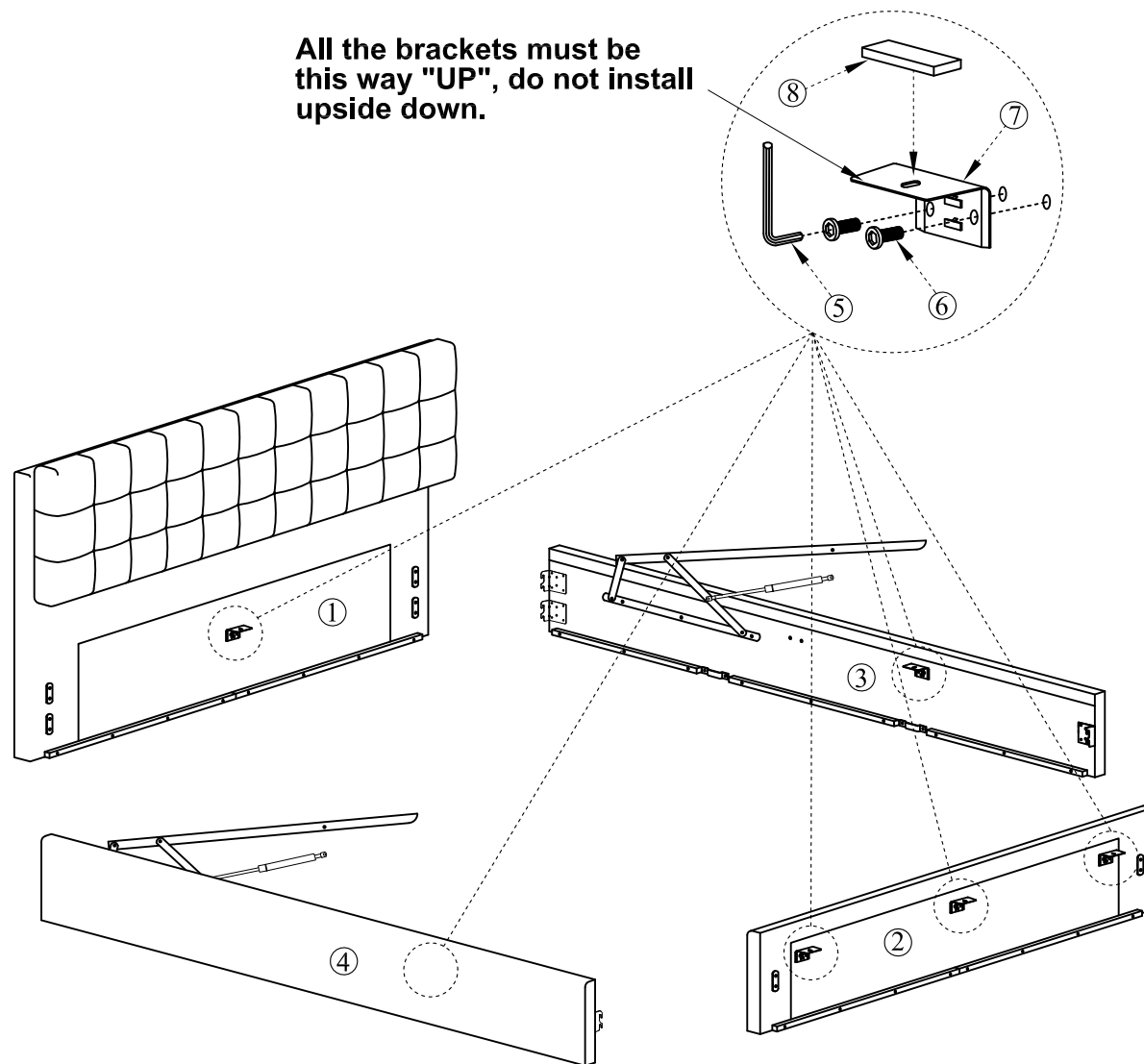
NOTES.

Thank you for purchasing this quality product! Be sure to check all packing material carefully for small part that may have come loose inside the carton during shipping.

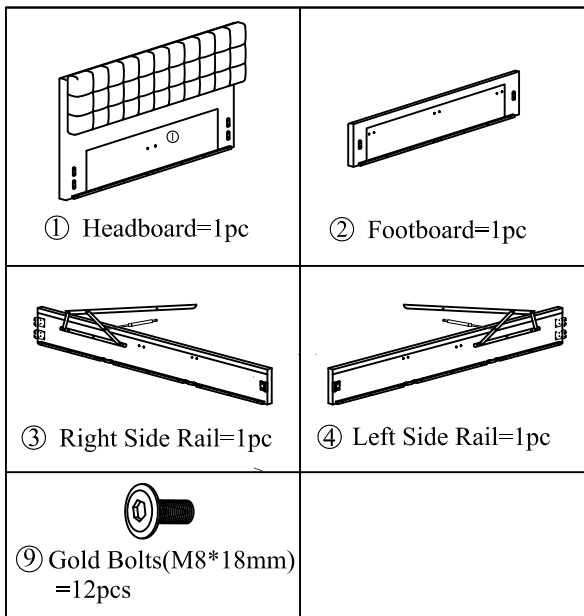
CAUTION: The item is heavy, assembly should be performed by two people.

STEP 1.

All the brackets must be this way "UP", do not install upside down.



PARTS AND HARDWARE.

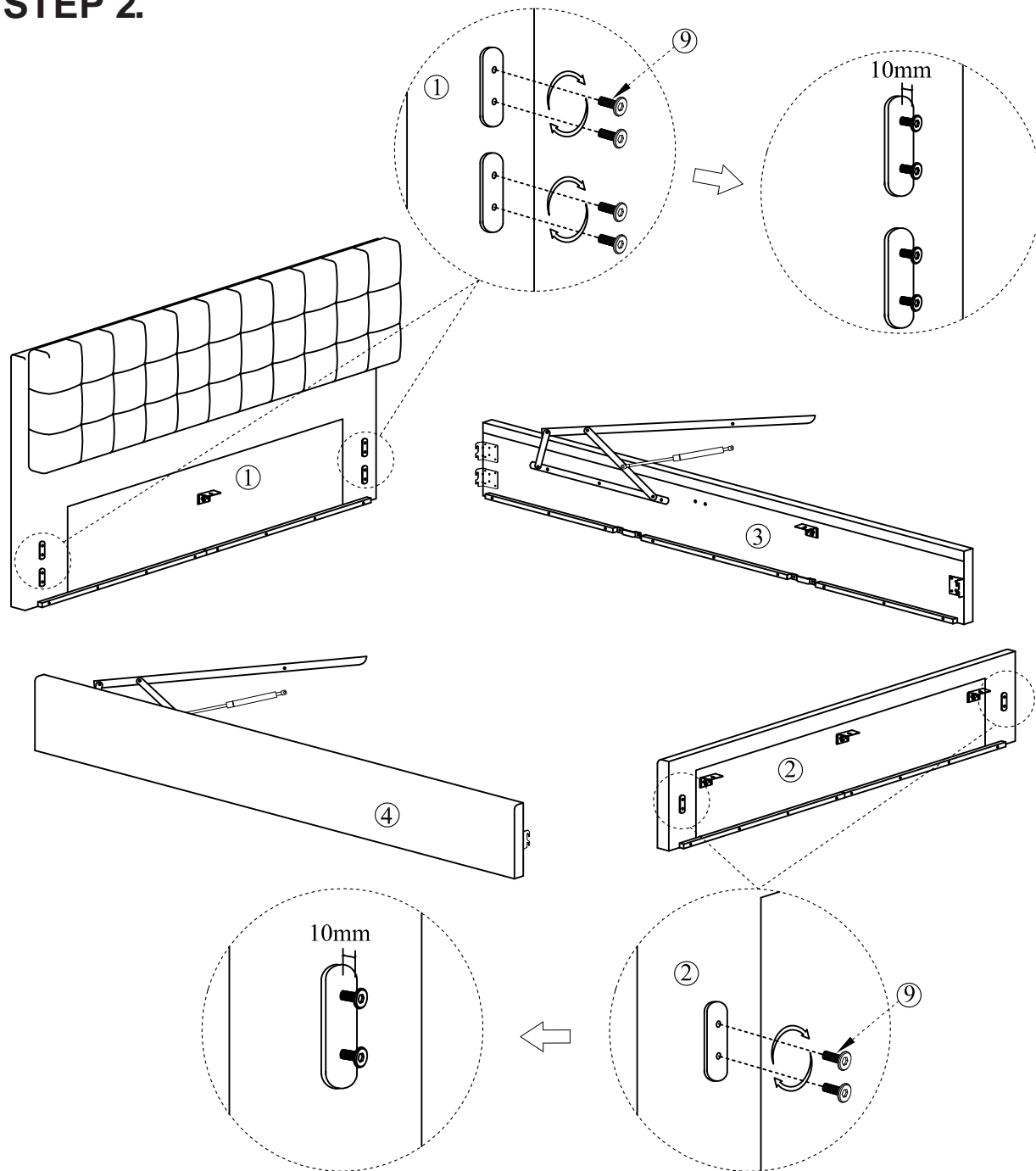


NOTES.

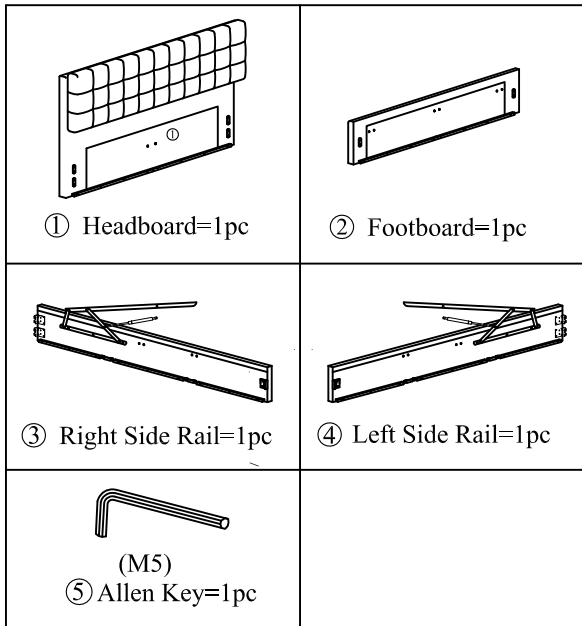
Thank you for purchasing this quality product! Be sure to check all packing material carefully for small part that may have come loose inside the carton during shipping.

CAUTION: The item is heavy, assembly should be performed by two people.

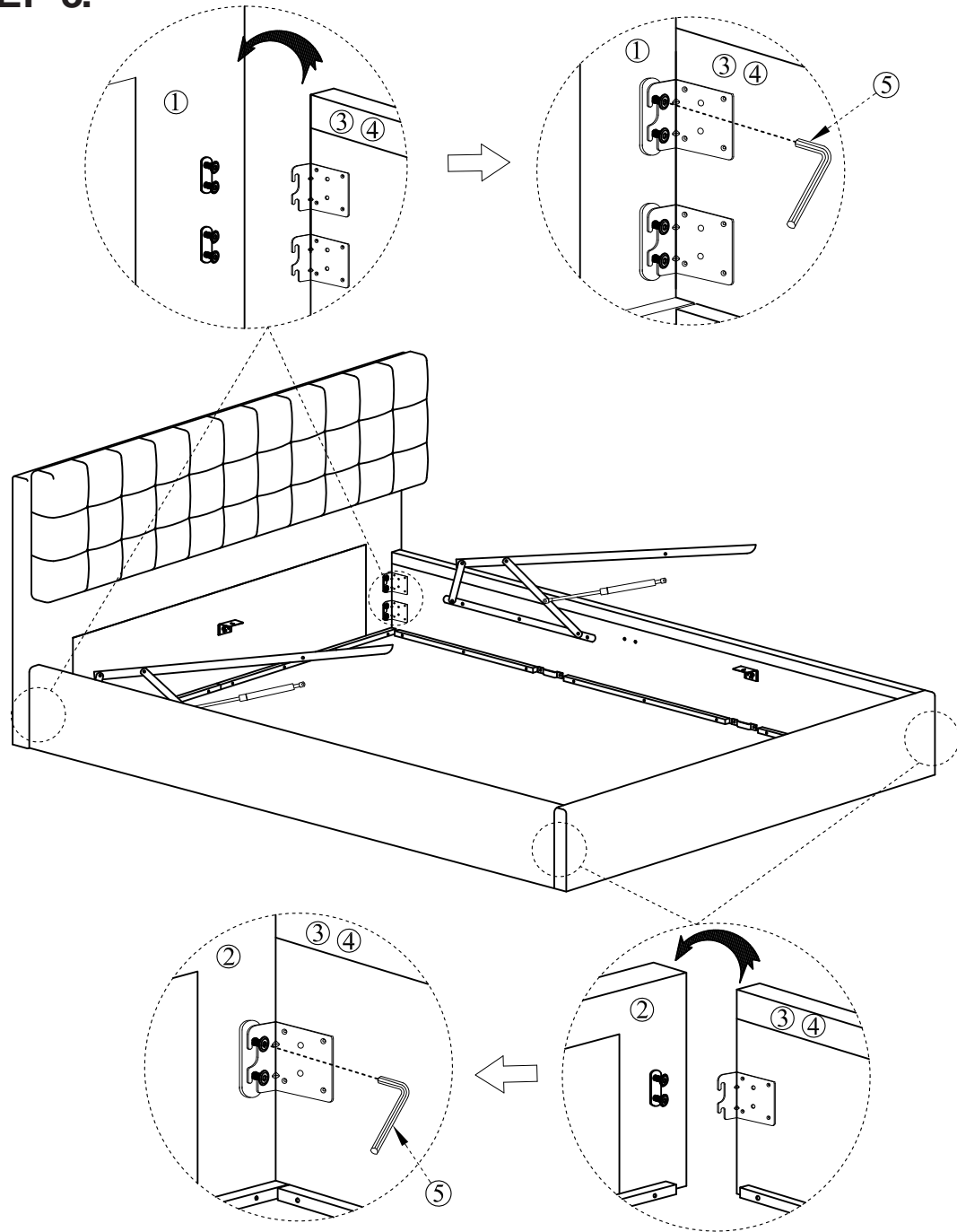
STEP 2.



PARTS AND HARDWARE.



STEP 3.



NOTES.

Thank you for purchasing this quality product! Be sure to check all packing material carefully for small part that may have come loose inside the carton during shipping.

CAUTION: The item is heavy, assembly should be performed by two people.

PARTS AND HARDWARE.

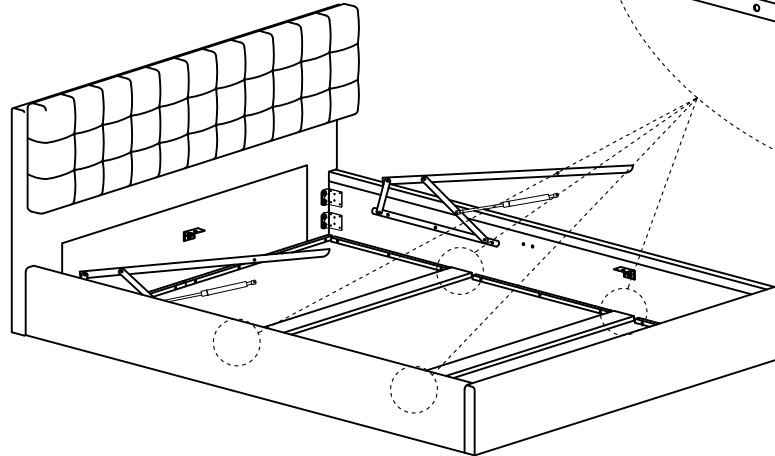


⑩ Centre Supporter
Rails=2pcs

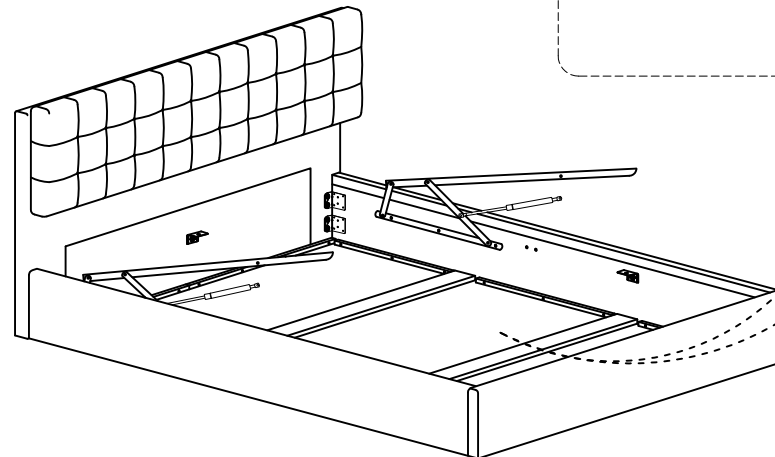


⑪ Baseboards=5pcs

STEP 4.



STEP 5.


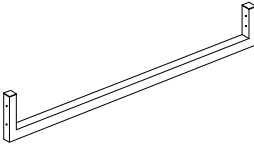


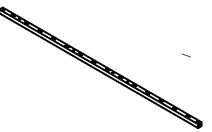



NOTES.

Thank you for purchasing this quality product! Be sure to check all packing material carefully for small part that may have come loose inside the carton during shipping.

CAUTION: The item is heavy, assembly should be performed by two people.

PARTS AND HARDWARE.

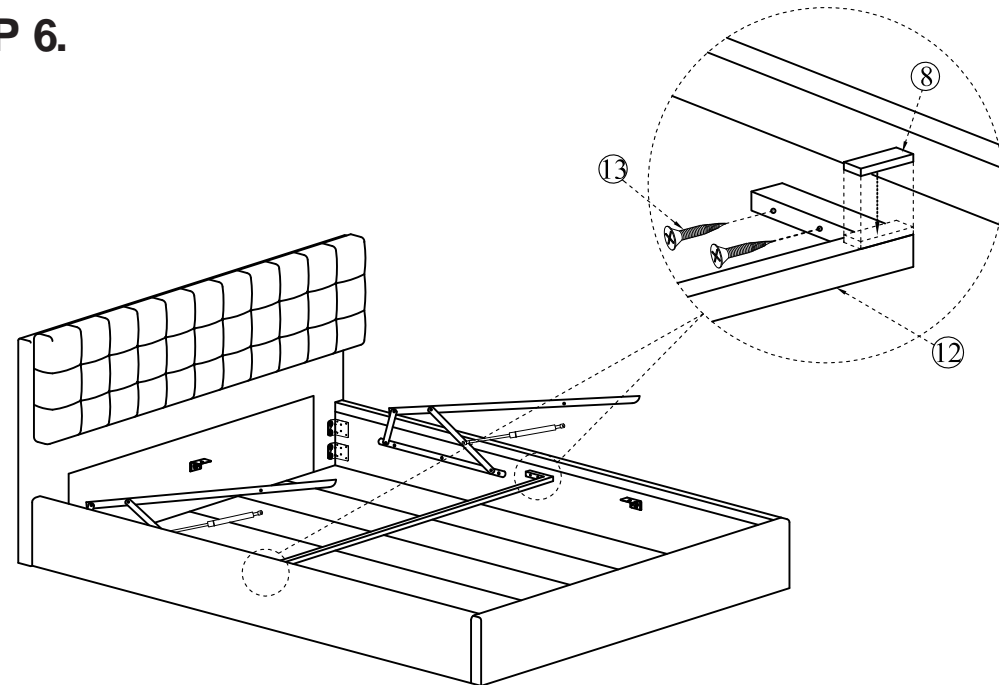
| | |
|--|--|
|  <p>⑧ Stick Felts=2pcs</p> |  <p>⑫ Metal cross rail=1pc</p> |
|  <p>⑬ Screws(M5*40mm) =4pcs</p> |  <p>⑭ Tube slat frame=2pcs</p> |
|  <p>⑮ Tube slat frame=2pcs</p> |  <p>⑯ Connect for slat frame=4pcs</p> |

NOTES.

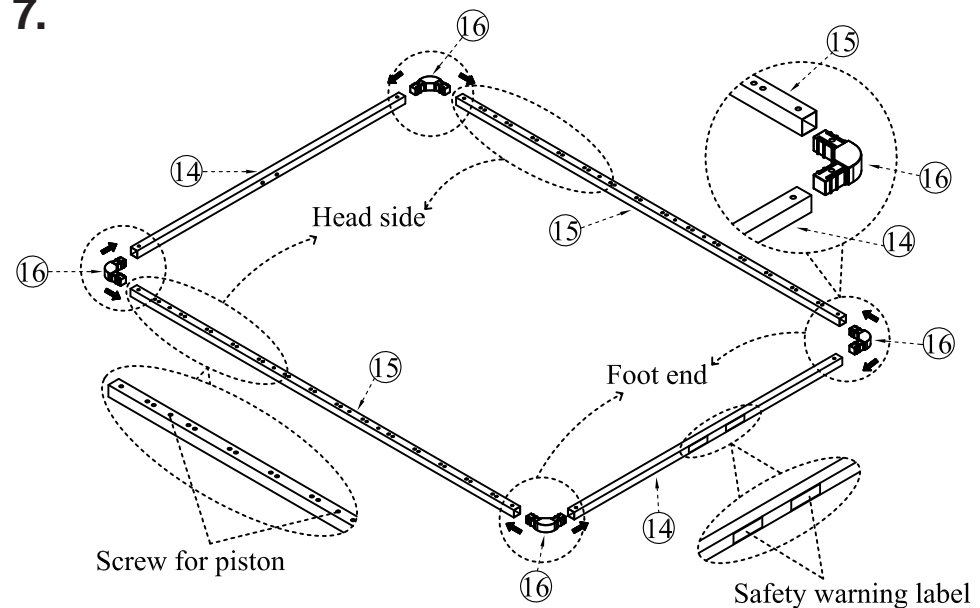
Thank you for purchasing this quality product! Be sure to check all packing material carefully for small part that may have come loose inside the carton during shipping.

CAUTION: The item is heavy, assembly should be performed by two people.

STEP 6.

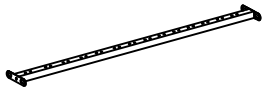










STEP 7.



Note: The tube ⑭ with safety warning label should be assembled footend.

PARTS AND HARDWARE.

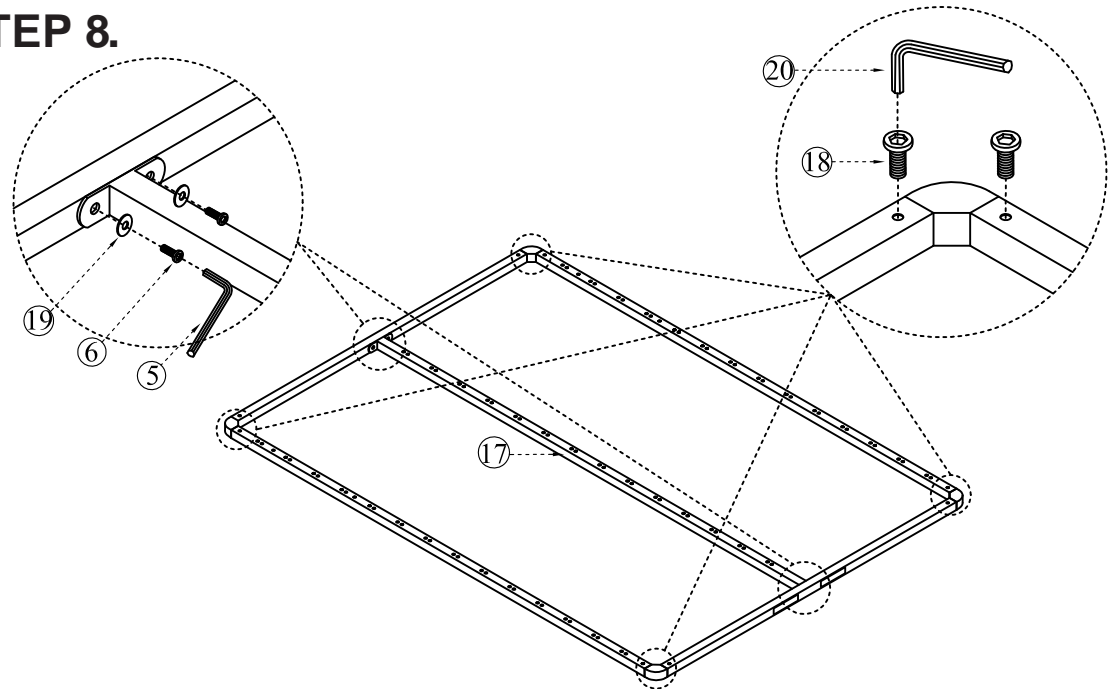
| | |
|--|---|
|  ①7 Tube slat frame=1pc |  ⑤ Allen Key=1pc (M5) |
|  ⑥ Bolts(M8*25mm)=4pcs |  ⑧ Bolts(M6*10mm)=8pcs |
|  ⑨ Washers(M8*19mm)=4pcs |  ⑩ Allen Key=1pc (M4) |
|  ⑪ Wide plastic cap(Big)=14pcs |  ⑫ End plastic cap(Small)=28pcs |
|  ⑬ Slats=28pcs | |

NOTES.

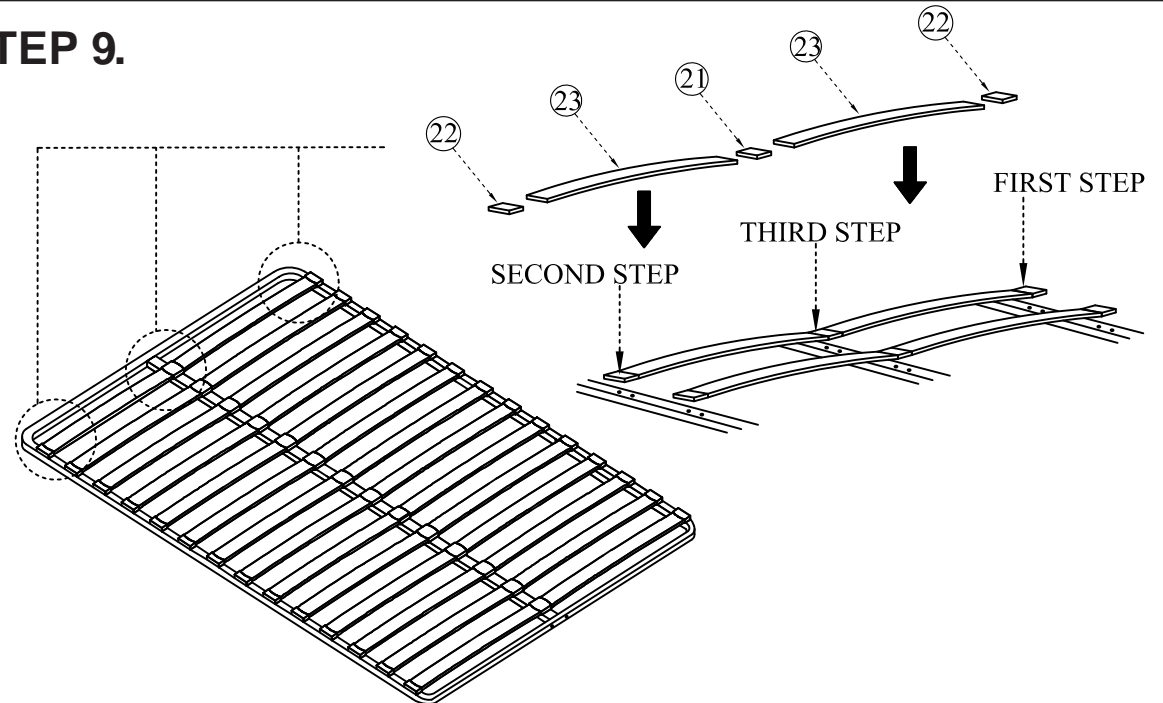
Thank you for purchasing this quality product! Be sure to check all packing material carefully for small part that may have come loose inside the carton during shipping.

CAUTION: The item is heavy, assembly should be performed by two people.





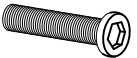


STEP 8.



STEP 9.



PARTS AND HARDWARE.

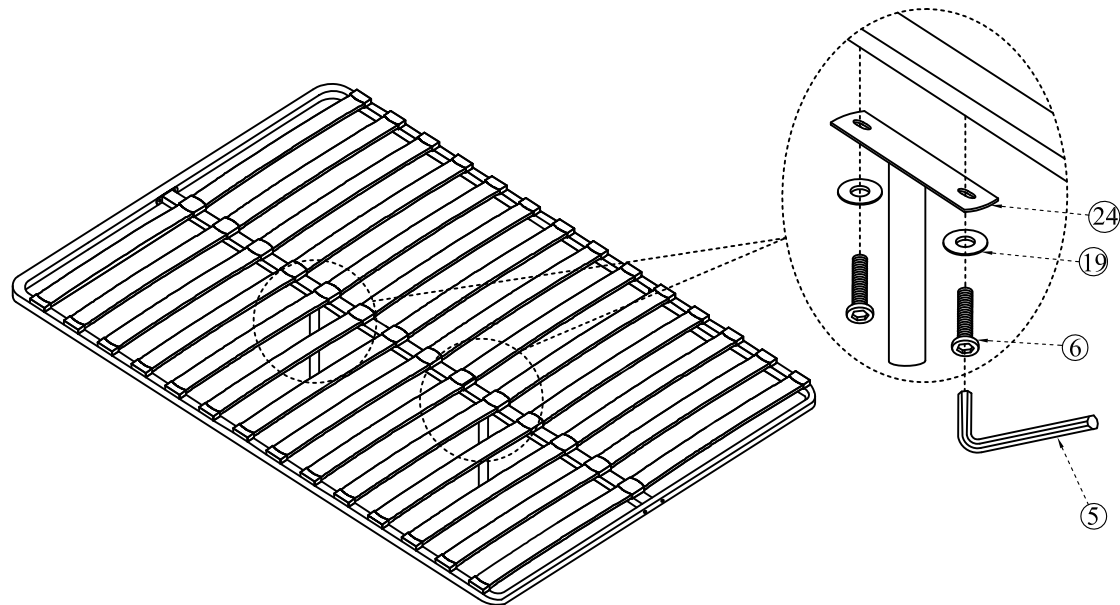
| | |
|---|---|
|  ②④ Metal Support legs=2pcs |  ⑥ Bolts(M8*25mm)=4pcs |
|  (M5) ⑤ Allen Key=1pc |  ⑱ Washers(M8*19mm)=20pcs |
|  ⑳ Bolts(M8*45mm)=8pcs |  (M8) ㉔ Bolts=8pcs |
|  (Ø13) ㉗ Spanner=1pc | |

NOTES.

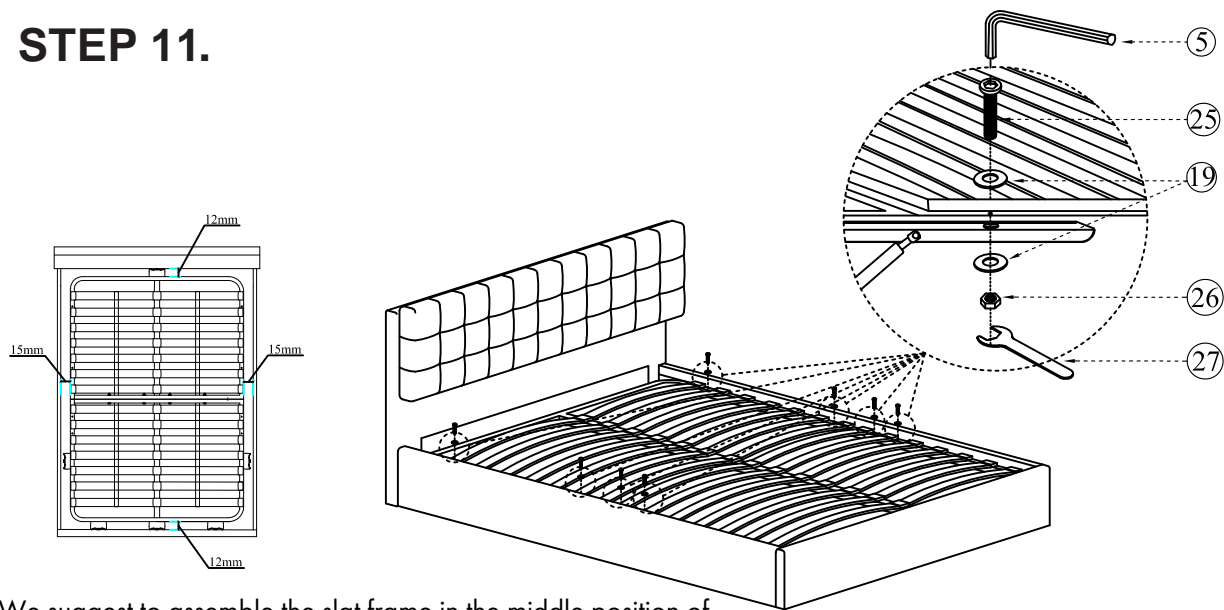
Thank you for purchasing this quality product! Be sure to check all packing material carefully for small part that may have come loose inside the carton during shipping.

CAUTION: The item is heavy, assembly should be performed by two people.

STEP 10.

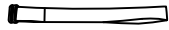


STEP 11.



We suggest to assemble the slat frame in the middle position of the bed and try to keep 15mm distance on both side rails and keep 12mm distance on headboard and footboard, need to be equidistant.

PARTS AND HARDWARE.



②8Belt=1pc

NOTES.

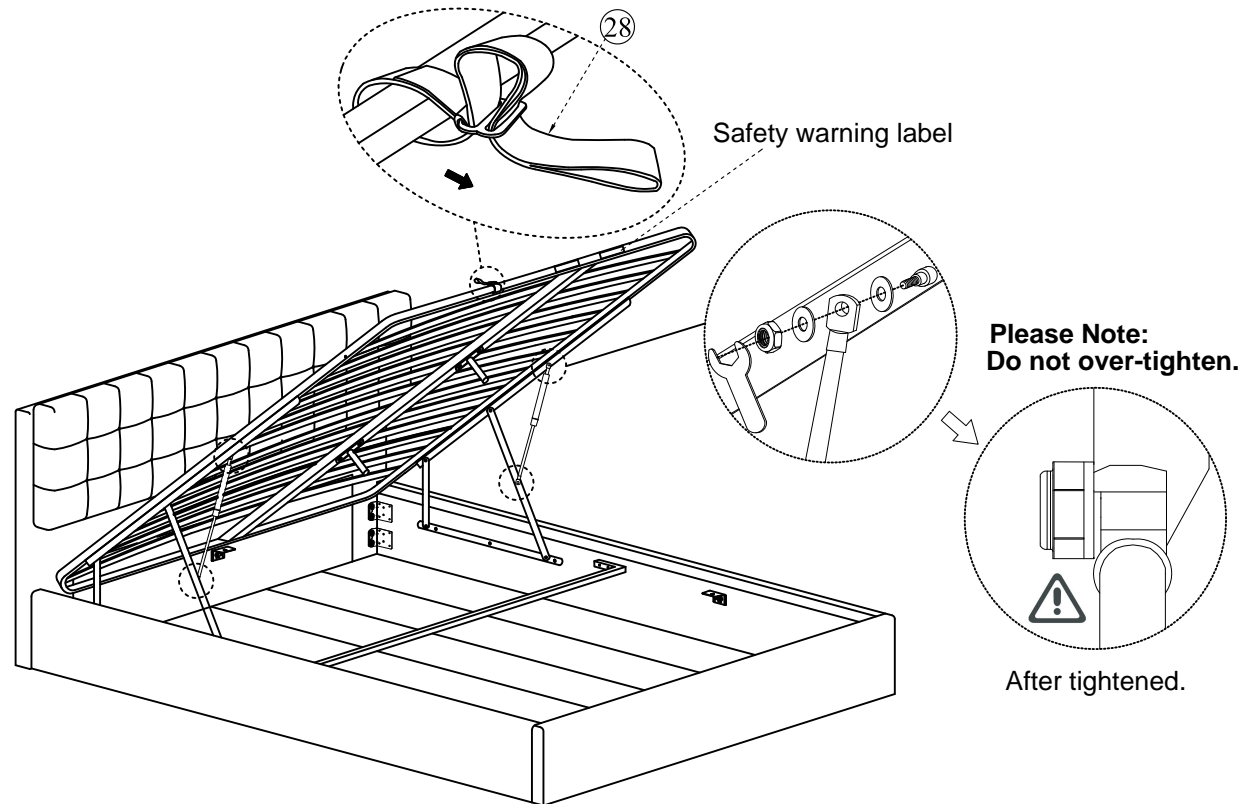
Thank you for purchasing this quality product! Be sure to check all packing material carefully for small part that may have come loose inside the carton during shipping.

CAUTION: The item is heavy, assembly should be performed by two people.

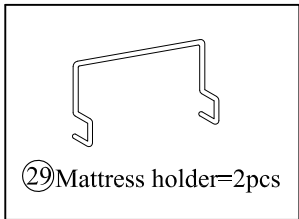
STEP 12.

NOTE: THE NUTS AND WASHERS ARE ALREADY IN POSITION ON THE BRACKET.

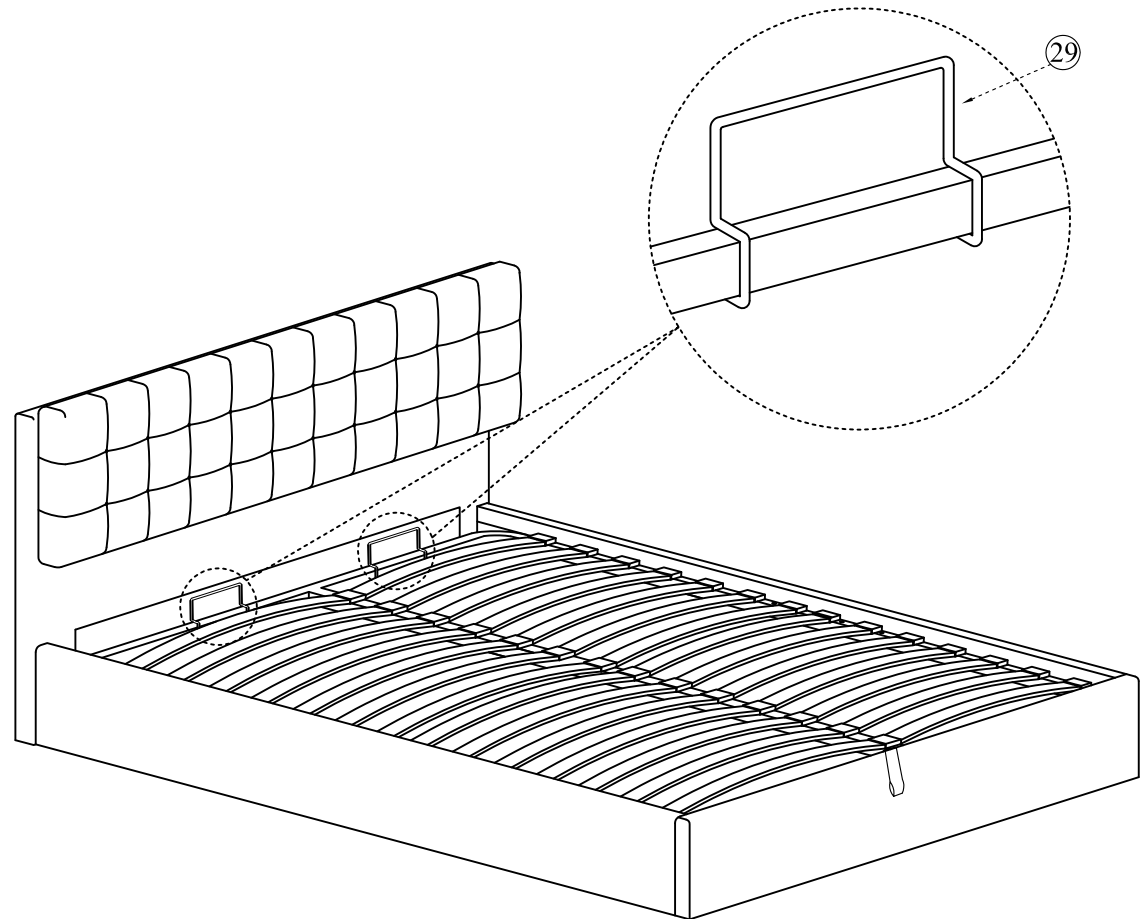
Un-tie mechanism, take out the transit protection block
Connect the piston arm to the raising mechanism by removing and retightening nuts and washers. Repeat on both side!



PARTS AND HARDWARE.



STEP 13.



NOTES.

Thank you for purchasing this quality product! Be sure to check all packing material carefully for small part that may have come loose inside the carton during shipping.

CAUTION: The item is heavy, assembly should be performed by two people.

SAFETY STRAP/ HANDLE MUST BE POSITIONED IN THE CENTRE OF THE BED FRAME
ALWAYS USE THE SAFETY STRAP/HANDLE TO OPEN.

Warning: When you need to move the bed please lift it, do not drag it.