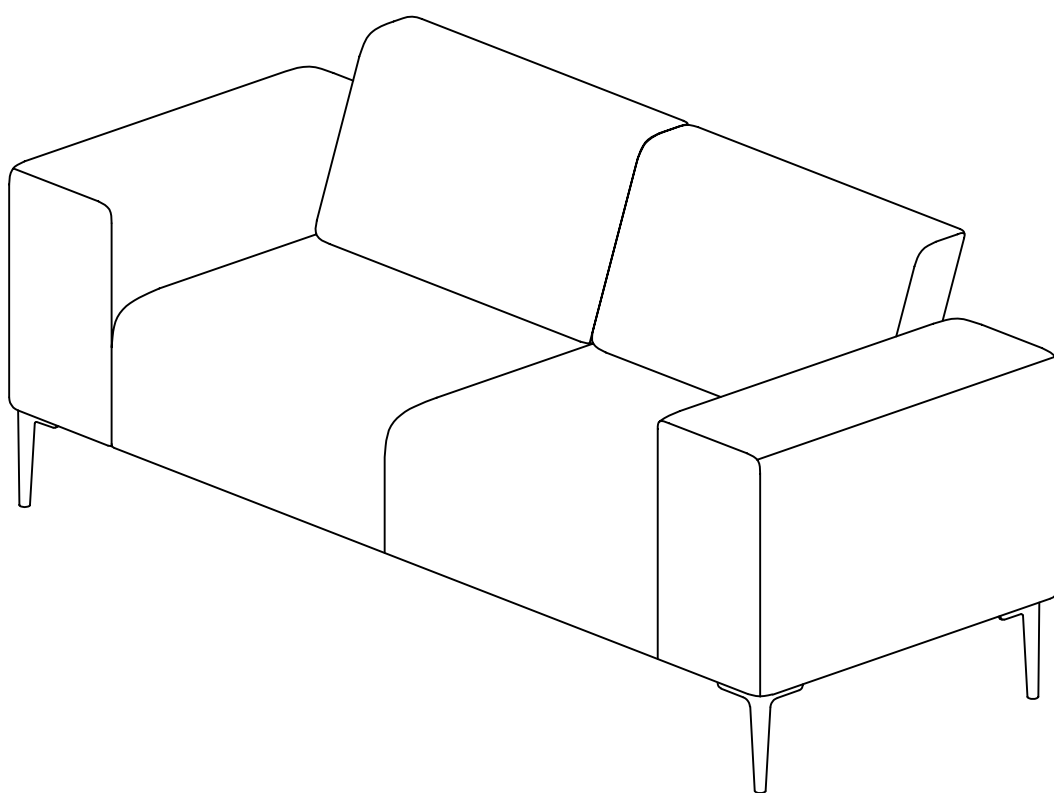


SOFA

Assembly Instruction



▲ NOTE:

The production with TWO PACKAGES, come with TWO TRACKINGS, may not be delivered at the same time.



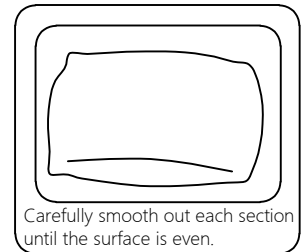
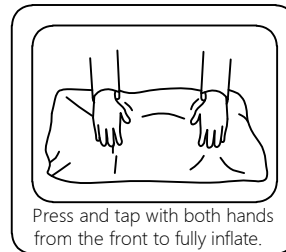
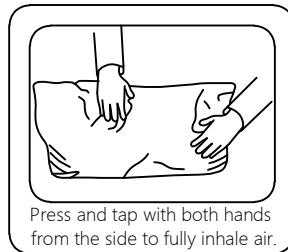
Safety and care advice

Important—Please read these instructions fully before starting assembly

Thanks for your purchase. Before the assembly please follow the instructions to check if all the spare parts and screws are intact.

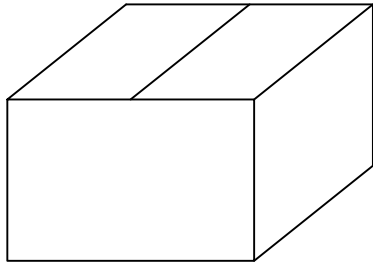
- Considering the size and weight of the sofa, we recommend two adults to assemble the sofa, on a carpeted or padded area, in the room that it is intended for. Approximate assembly time: 30 minutes.
- Please do not throw away any of the packaging or the instruction until you have checked all the components and hardware and the furniture is fully assembled. Please ensure that the packaging is disposed in a safe and environmentally friendly way.
- Keep all components and packaging out of reach of children or animals to avoid the risk of choking or suffocation.
- Please do not take off the cover, and do not wash.

Your cushions come vacuum packed and sealed for shipping. To restore the cushion's original shape, follow the steps below.




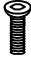



After packing up, place them in somewhere dry and ventilated. After about 72-96 hours, it can be restored to the best use condition.

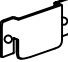


BOX1



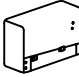
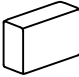

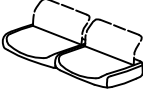


Hardware parts

a	 M6*18	Washer	x20
b	 M6*30	Bolts	x8
c	 M4	Allen key	x1
d	 M6*40	Bolts	x8
e	 M6*50	Bolts	x4

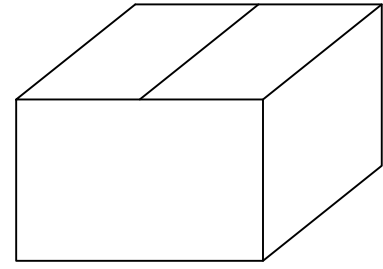
Structural accessories

①		Connector	x4
②		Sofa leg	x4
③		Middle leg	x2

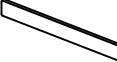


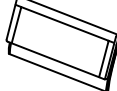
Main structure accessories

(B)		Armrest(L)	x1
(C)		Armrest(R)	x1
(J)		Seat foam	x2
(K)		Seat pad cover	x1
(M)		Back foam	x2
(Y)		Back cover	x2

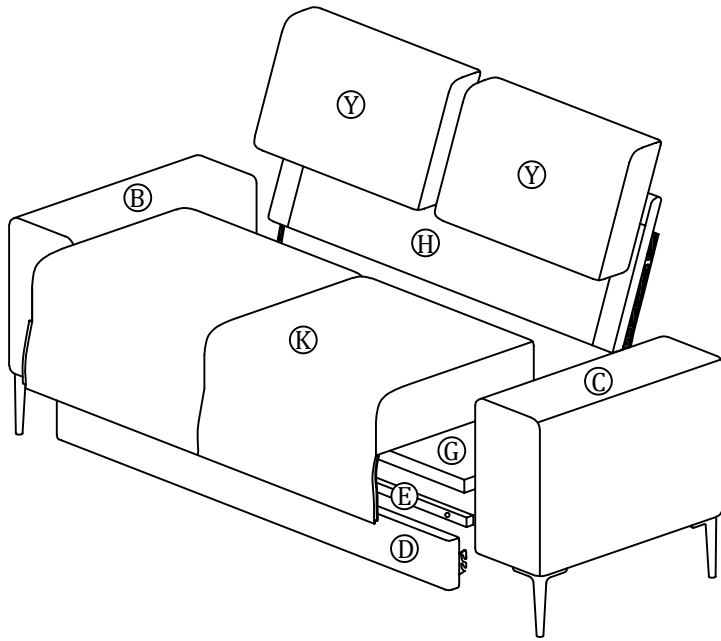
BOX2



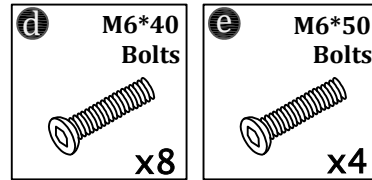
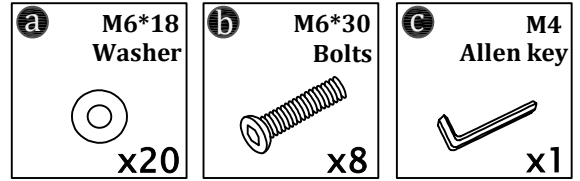
Main structure accessories

(D)		Front bezel	x1
(E)		Iron pipe	x1
(G)		Seat frame	x1
(H)		Back frame	x1

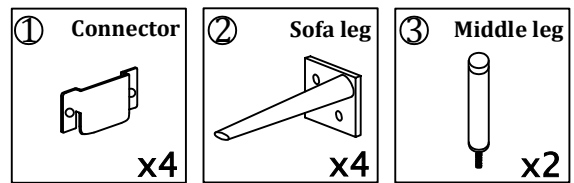
Assembly Instruction of Sofa



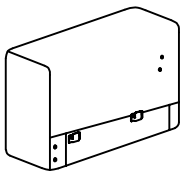
Hardware parts



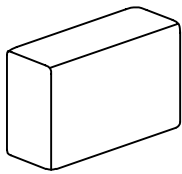
Structural accessories



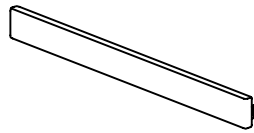
Main structure accessories



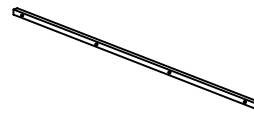
B 1pc
Armrest(L)



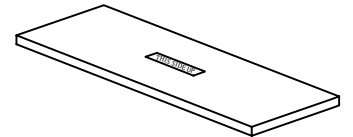
C 1pc
Armrest(R)



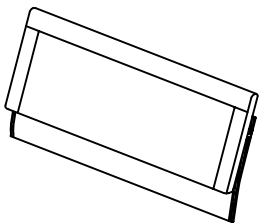
D 1pc
Front bezel



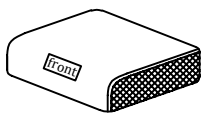
E 1pc
Iron pipe



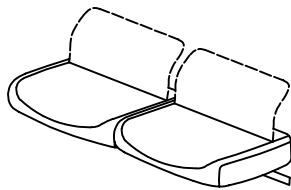
G 1pc
Seat frame



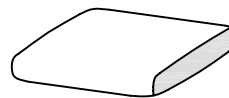
H 1pc
Back frame



J 2pcs
Seat foam



K 1pc
Seat pad cover



M 2pcs
Back foam



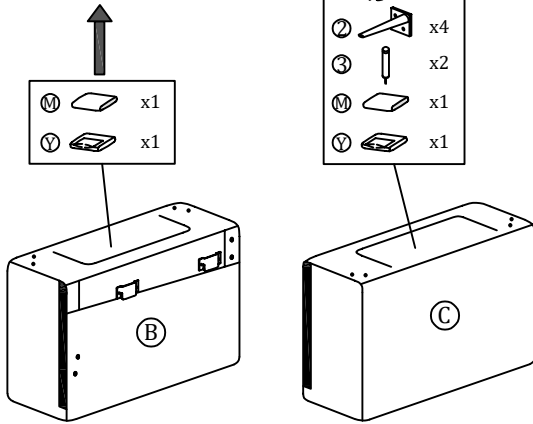
Y 2pcs
Back cover

Assembly Instruction of Sofa

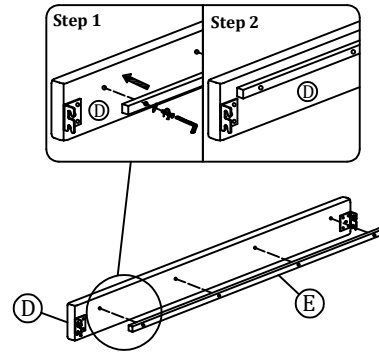
Step 1

Attention!

Take out of the accessories from the bottom of B and C.

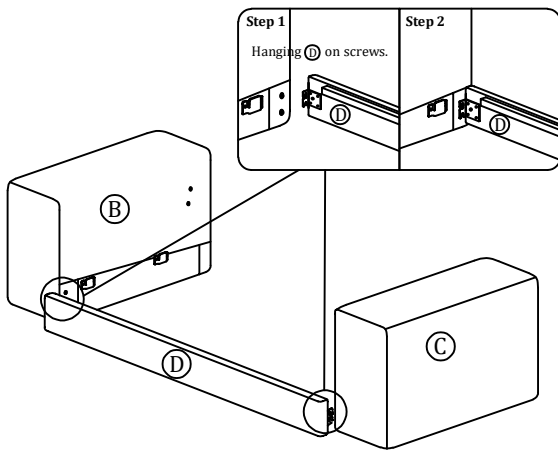


Step 2

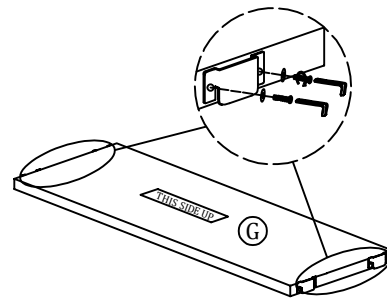


- | | | |
|---|---|----|
| c | └ | x1 |
| e | ┆ | x4 |
| a | ⊙ | x4 |

Step 3

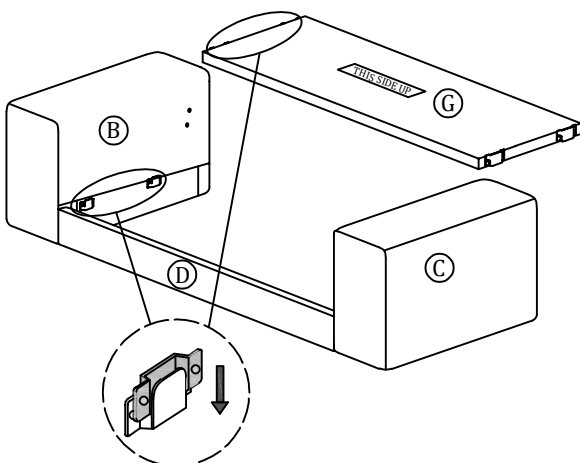


Step 4

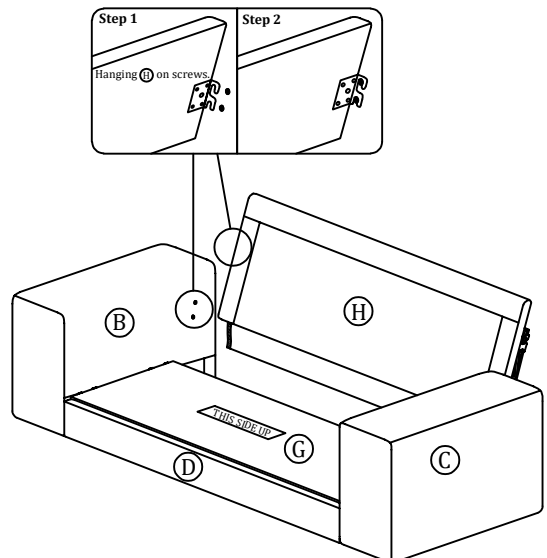


- | | | |
|---|---|----|
| c | └ | x1 |
| b | ┆ | x8 |
| a | ⊙ | x8 |
| ① | ┆ | x4 |

Step 5

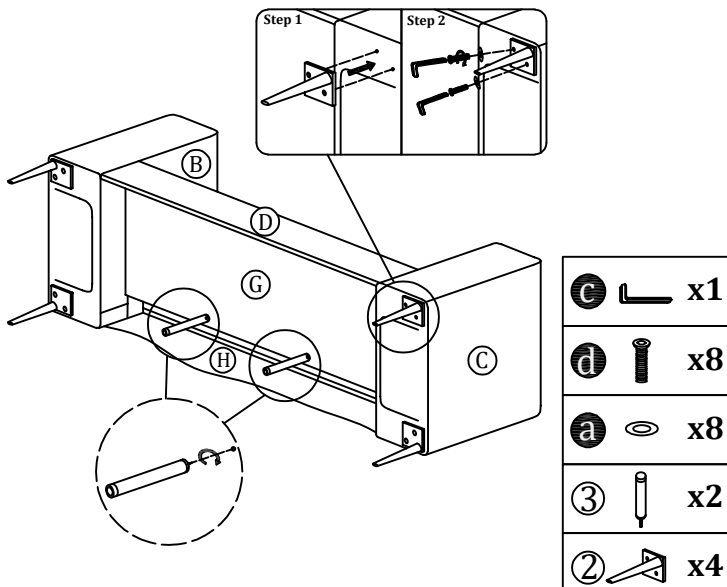


Step 6

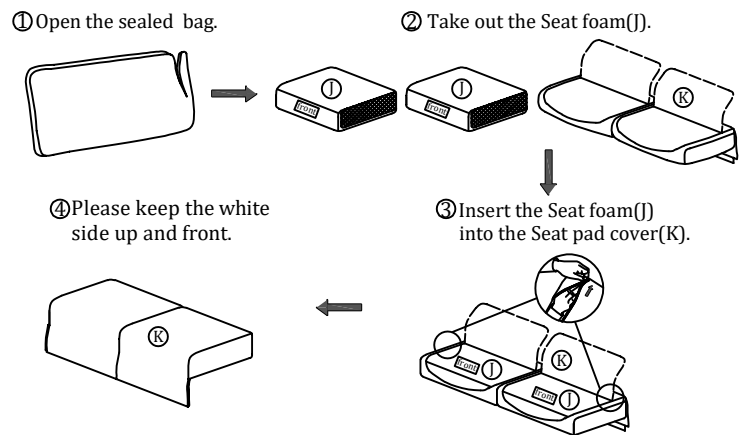


Assembly Instruction of Sofa

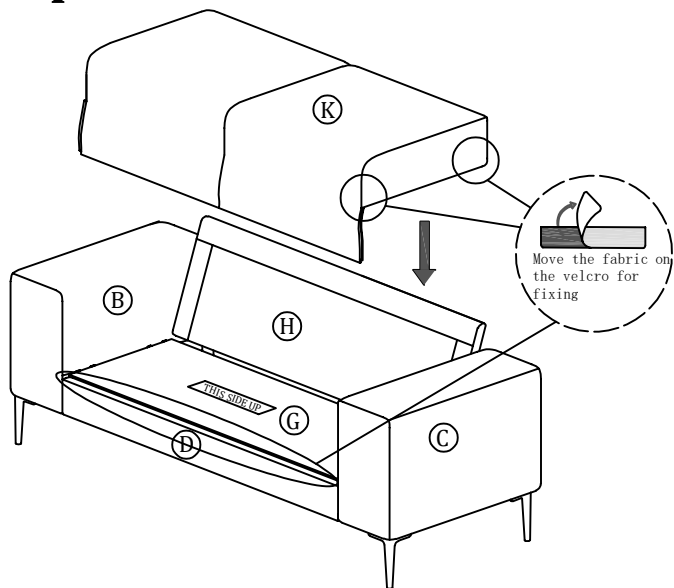
Step 7



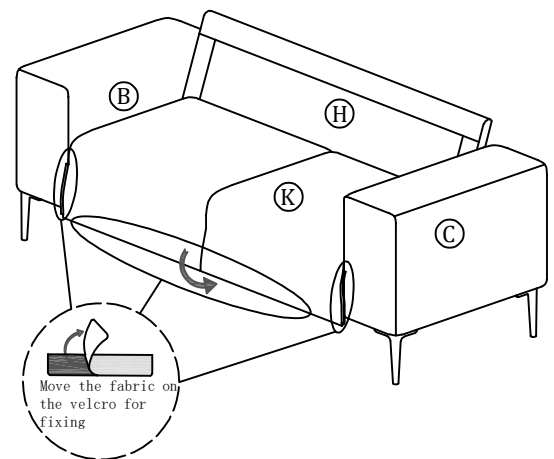
Step 8



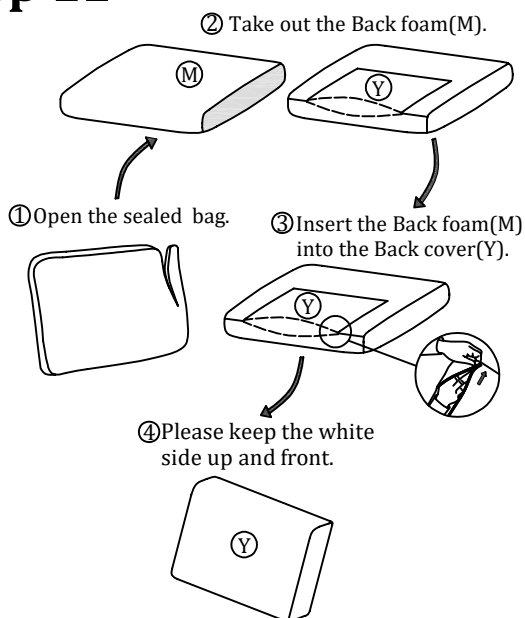
Step 9



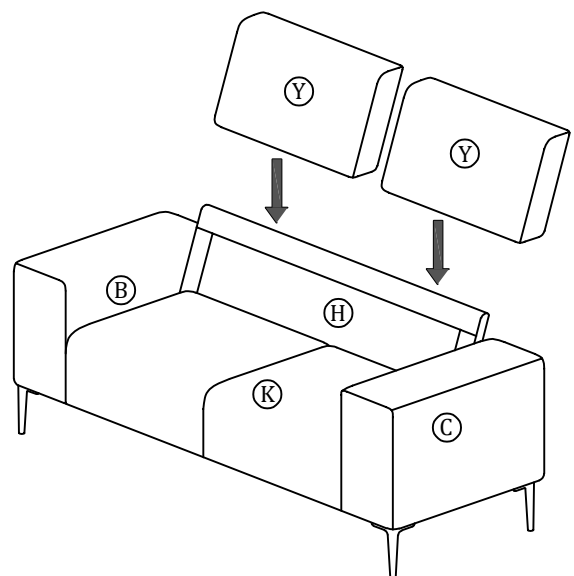
Step 10



Step 11

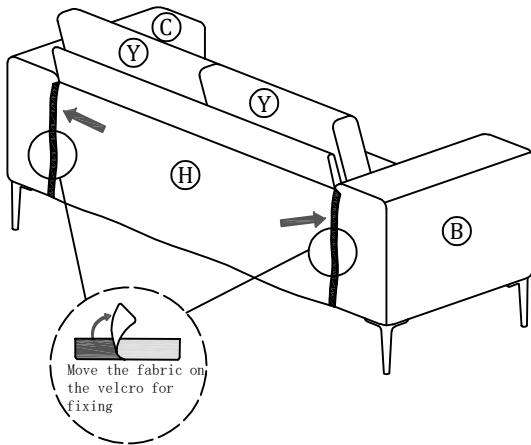


Step 12

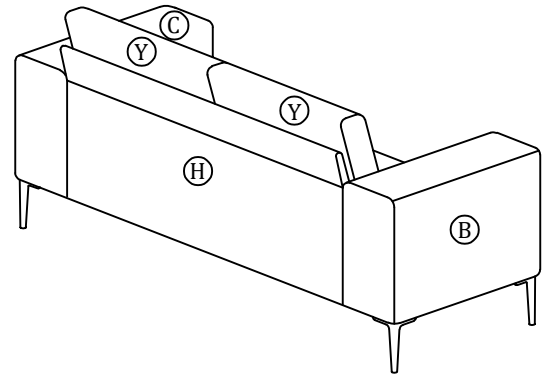


Assembly Instruction of Sofa

Step 13



Step 14



Step 15

